



ZM9186

# 200W 12V Flexible Solar Panel



**INSTRUCTION MANUAL**

## CONTENTS

Warnings & Safety Information .....	3
Before First Use.....	3
Box Contents.....	4
Product Diagram .....	4
Operating Instructions.....	5
Cleaning, Care, Storage & Maintenance .....	6
Specifications .....	6
Warranty Information.....	7

## WARNINGS & SAFETY INFORMATION

- This module produces electricity when exposed to light. Please follow all applicable electrical safety precautions.
- Only qualified personnel should install or perform maintenance work on these modules.
- Be aware that dangerously high DC voltages can occur when connecting multiple modules in series.
- Do not damage or scratch the rear surface of the module.
- It is NOT recommended to connect more than 40 solar panels in series.
- Please handle the solar panel with care and avoid over-bending it on a bumpy surface, as this may result in damage to the product.
- Loss of efficiency (over time) is not considered a defect. It is considered normal for the efficiency of solar panel to degrade a small amount every year. External factors such as local solar intensity, shading, soiling, snow and ambient temperature all could also influence the performance of the panel.

**WARNING: The manufacturer is not responsible for any potential injury from misuse**

**WARNING: This is an unregulated solar panel - ensure you connect a suitable regulator (available separately) to prevent damage to the battery.**

## BEFORE FIRST USE

Prior to using your product, please read all the safety and operating instructions thoroughly. Please ensure you follow the steps below before using the product. We recommend you keep the original packaging for storing the product when not in use.

Please pay close attention to the section entitled Warnings & Safety Information and Operating Instructions. Find a safe and convenient place to keep this instruction manual for future reference.

Unpack the product but keep all packaging materials until you have made sure your new product is undamaged and in good working order. Ensure you have all accessories listed in this manual.

## BOX CONTENTS



1 x 200W Flexible Solar Panel

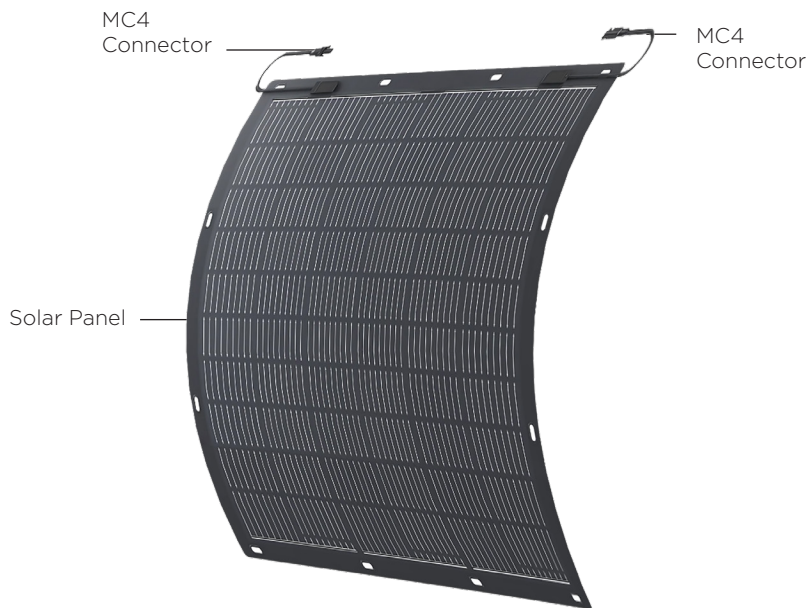


12 x Metal Cable Ties



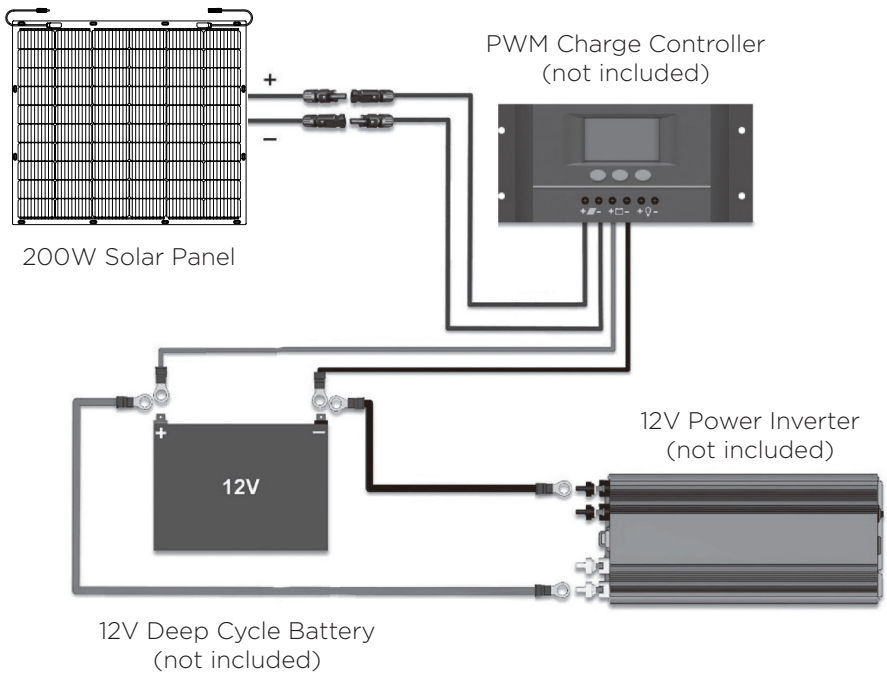
1 x Instruction Manual

## PRODUCT DIAGRAM



## OPERATING INSTRUCTIONS

1. Select a site to mount the solar panel. It is advised to install solar panel in a shade free location that has sunlight most of the day.
2. Mount and secure the panel. There are many ways to do this but what is most important is to ensure that sunlight to the solar cells is not blocked. The simplest way is to fix panel with hooks or rope via the pre-drilled mounting holes.
3. Set up your solar panel system and connect everything. The picture below provides one example.



**TIP: For optimal performance throughout the day, set the panel to approximately 30° from the ground. The range between 10° and 40° will gain the best power absorption throughout the course of the day.**

## CLEANING, CARE, STORAGE & MAINTENANCE

- Please ensure your solar panel is cool before cleaning.
- Use a damp cloth only to remove dirt and debris from the solar panel.
- Do not use sharp or hard objects for cleaning as these may damage the product. For your panel to work as efficiently as possible you want to prevent scratches on the surface of the solar panel or panel.
- Do not use high pressure to clean the solar panel as it can damage the cells of the panel.

## SPECIFICATIONS

<b>Solar Cell Type</b>	Monocrystalline
<b>Rated Peak Power (Pmax)</b>	200W
<b>Open Circuit Voltage (Voc)</b>	20.4V
<b>Short Circuit Current (Isc)</b>	12.3A
<b>Maximum Power Voltage (Vmp)</b>	17.4V
<b>Maximum Power Current (Imp)</b>	11.5A
<b>Operating Temperature</b>	-40°C to 85°C
<b>Standard Test Conditions</b>	1000W/m <sup>2</sup> , 25°C, AM1.5
<b>Dimensions (LxWxD)</b>	1163 x 1014 x 3 mm
<b>Net Weight</b>	4.5 Kg

## WARRANTY INFORMATION

Our product is guaranteed to be free from manufacturing defects for a period of 12 Months.

If your product becomes defective during this period, Electus Distribution will repair, replace, or refund where a product is faulty; or not fit for intended purpose.

This warranty will not cover modified product; misuse or abuse of the product contrary to user instructions or packaging label; change of mind and normal wear and tear.

Our goods come with guarantees that cannot be excluded under the Australian Consumer Law. You are entitled to a replacement or refund for a major failure and for compensation for any other reasonably foreseeable loss or damage. You are also entitled to have the goods repaired or replaced if the goods fail to be of acceptable quality and failure does not amount to a major failure.

To claim warranty, please contact the place of purchase. You will need to show receipt or other proof of purchase. Additional information may be required to process your claim.

Any expenses relating to the return of your product to the store will normally have to be paid by you.

The benefits to the customer given by this warranty are in addition to other rights and remedies of the Australian Consumer Law in relation to the goods or services to which this warranty relates.

This warranty is provided by:

Electus Distribution

Address 46 Eastern Creek Drive, Eastern Creek NSW 2766

Ph. 1300 738 555

