

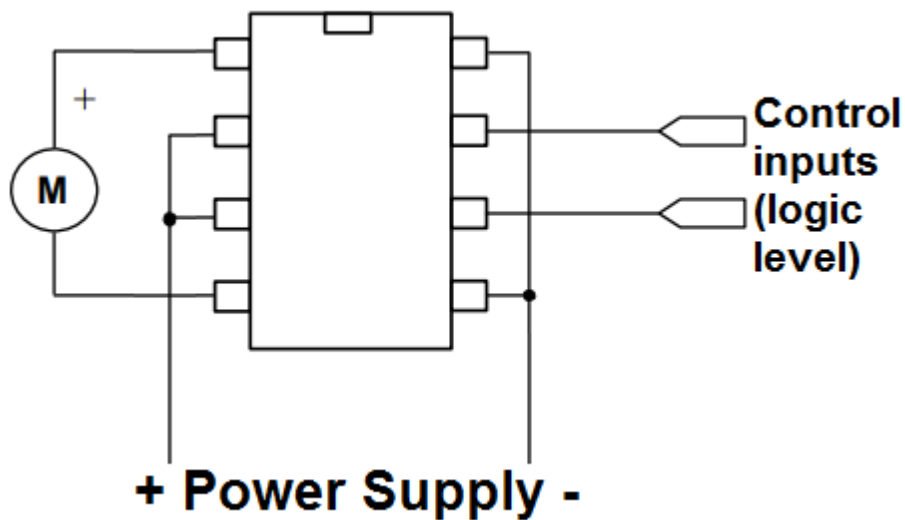
ZK8882 Datasheet

Electrical Characteristics:

Parameter	Value
Supply Voltage	2.5V-12V
Maximum Current	800mA continuous
Peak Current	2000mA

Pin Functions:

Pin	Function
1	Channel A Output (motor connection)
2	Positive Supply Voltage
3	Positive Supply Voltage
4	Channel B Output (motor connection)
5	Ground Connection
6	Channel A input (logic level)
7	Channel B input (logic level)
8	Ground Connection



Logic Relationship:

Inputs at Logic Level		Outputs at Power Supply Level	
Input A	Input B	Output A	Output B
H	L	H	L
L	H	L	H
L	L	L	L
H	H	L	L