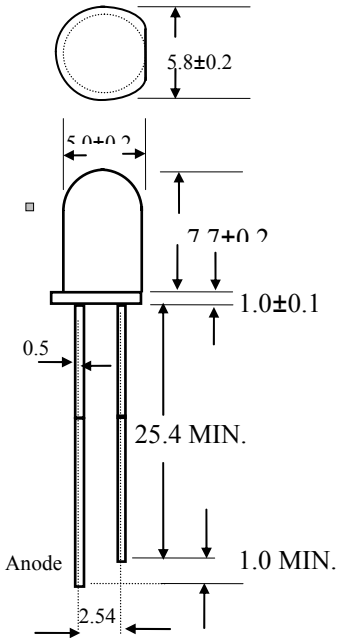


ZD-0260
5mm, Super Bright Round Type LED Lamps

PACKAGE DIMENSIONS (unit : mm)



ABSOLUTE MAXIMUM RATINGS: (Ta = 25°C)

Reverse Voltage	: 5 Volt
Reverse Current($V_R=5V$)	: 10uA
Operating Temperature Range	: -40°C to +85°C
Storage Temperature Range	: -40°C to +100°C

PART SELECTION AND APPLICATION INFORMATION(RATINGS AT 25°C AMBIENT)

PART NO.	CHIP			LENS COLOR	Electrical-Optical Characteris					Viewing Angle (deg) 2θ 1/2
	Material	Peak Wave Length λ p(nm)	Emitting Color		VF(V)			Rec if(mA) Max.	Radiant Flux Typ.	
					Min.	Typ.	Max.			
AB-513UV-A	SiC	395	UV	Water Clear		3.7	4.2	10-20	10	30