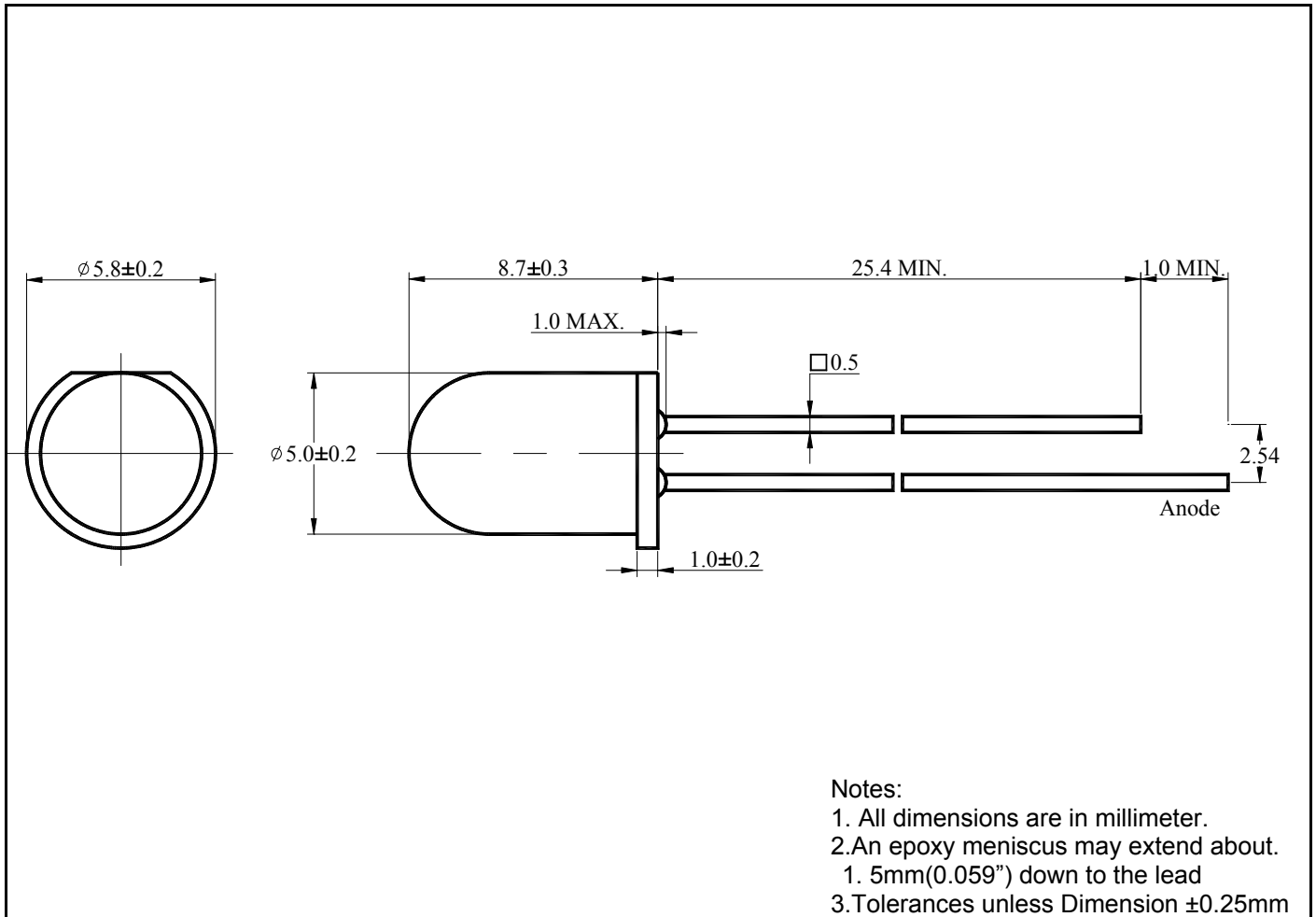


### ■ Package Dimension:



### ■ Features :

- Choice of various viewing angles.
- Available on Tape and Reel.
- Reliable and robust.

### ■ Descriptions :

- The series is specially designed for application requiring higher brightness.
- The LED lamps are available with different color, intensities, epoxy colors etc.

### ■ Applications :

- TV set
- Monitor
- Telephone

LED Parts P/N.	Chip		Lens Color
	Material	Emitted Color	
ZD0164	AlGaInP	Super Yellow	Water Clear

■ Absolute Maximum Ratings at Ta=25°C

Parameter	Symbol	Rating	Unit
Continuous Forward Current	I <sub>F</sub>	50	mA
Operating Temperature	T <sub>opr</sub>	-40~+85	°C
Storage Temperature	T <sub>stg</sub>	-40~+85	°C
Soldering Temperature	T <sub>sol</sub>	260±5	°C
Electrostatic Discharge	ESD	1000	V
Power Dissipation	P <sub>D</sub>	120	mW
Peak Forward Current (Duty 1/10@1KHz)	I <sub>F</sub> (Peak)	100	mA
Reverse Voltage	V <sub>R</sub>	5	V

■ Electronic Optical Characteristics :

Parameter	Symbol	Min.	Typ.	Max.	Unit	Condition
Luminous Intensity	I <sub>v</sub>	3400	5200	/	mcd	I <sub>F</sub> =20mA
Viewing Angle	2θ 1/2	/	15	/	deg	- - -
Peak Wavelength	λ <sub>p</sub>	/	590	/	nm	I <sub>F</sub> =20mA
Dominant Wavelength	λ <sub>d</sub>	/	588	/	nm	I <sub>F</sub> =20mA
Spectrum Radiation Bandwidth	Δλ	/	20	/	nm	I <sub>F</sub> =20mA
Forward Voltage	V <sub>F</sub>	/	2.0	2.4	V	I <sub>F</sub> =20mA
Reverse Current	I <sub>R</sub>	/	/	10	μA	V <sub>R</sub> =5V

■ **Reliability test items and conditions :**

The reliability of products shall be satisfied with items listed below.

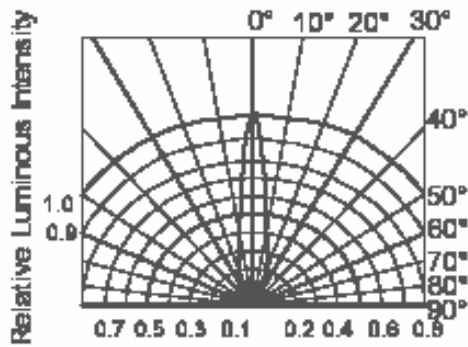
Confidence level: 90%

LTPD: 10%

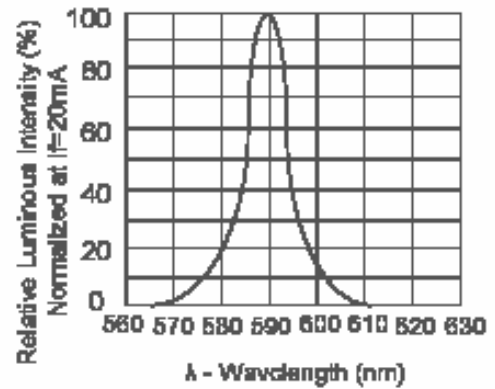
NO	ITEM	Test Conditions	Test hours/cycle	Sample Q'ty	Ac/Re
1	Solder Heat	Temp : 260°C±5°C	5 sec	22 pcs	0/1
2	Temperature Cycle	H : +100°C 15min λ 5min L : -40°C 15min	50 cycles	22 pcs	0/1
3	Thermal Shock	H : +100°C 15min λ 10sec L : -10°C 15min	50 cycles	22 pcs	0/1
4	High Temperature Storage	Temp : 100°C	1000 hrs	22 pcs	0/1
5	Low Temperature Storage	Temp : -40°C	1000 hrs	22 pcs	0/1
6	DC Operating Life	I <sub>F</sub> =20mA	1000 hrs	22 pcs	0/1
7	High Temperature / High Humidity	85°C / 85%RH	1000 hrs	22 pcs	0/1

■ **Typical electro-optical characteristics curves :**

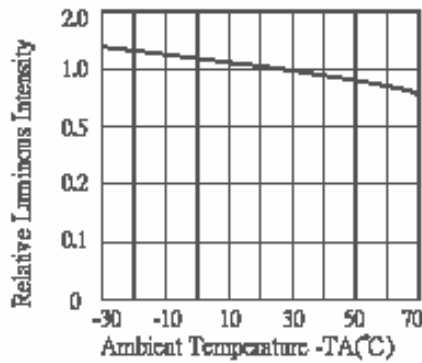
The data typical and the value are not guaranteed.



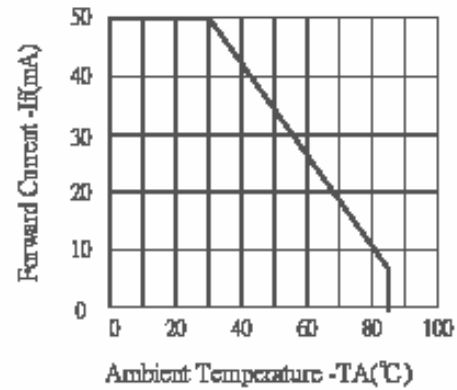
**RADIATION DIAGRAM**



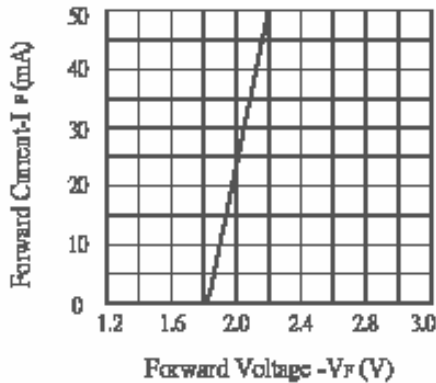
**RELATIVE LUMINOUS INTENSITY  
Vs. WAVELENGTH**



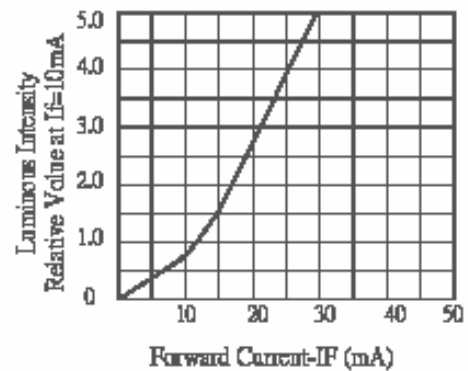
**LUMINOUS INTENSITY  
Vs. AMBIENT TEMPERATURE**



**FORWARD CURRENT  
Vs. AMBIENT TEMPERATURE**



**FORWARD CURRENT  
Vs. FORWARD VOLTAGE**



**LUMINOUS INTENSITY  
Vs. FORWARD CURRENT**

Distributed by:  
Electus Distribution Pty Ltd  
46 Eastern Creek Dr,  
Eastern Creek NSW 2766 Australia  
1300 738 555 | [electusdistribution.com.au](http://electusdistribution.com.au)