



**DIGITECH**  
Computer

# 5 Port PoE Switch



## User Manual

YN-8074

## Box Contents:



1 x 5 Port PoE Switch



1 x Wall Mounting Bracket & Hardware

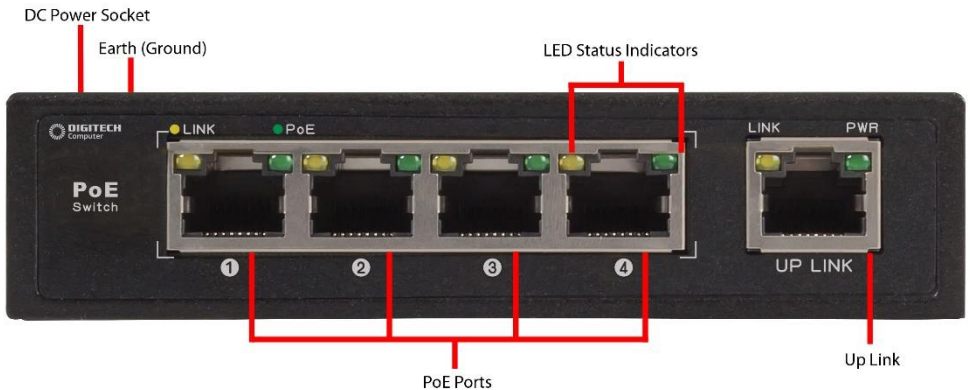


1 x Power Supply



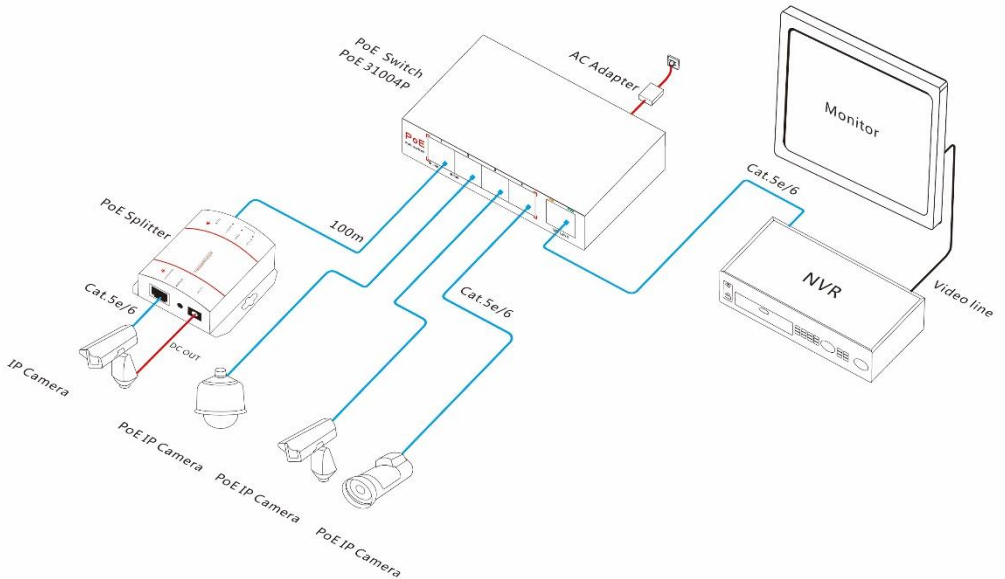
1 x Power Supply Lead

## Product Diagram:



LED Status Indicator	Status	Description
Link	On	Network Connection Working
	Flashing	Receiving / Sending Data
PoE / Power	On	PoE / Power Output Working
	Flashing	PoE Output Interruption
	Off	No PoE / Power Output

## Connection Diagram:



## **Operation:**

1. Connect the power supply lead in to the socket on the mains power supply.
2. Connect the mains power supply to a 240VAC power outlet.
3. Plug in the DC plug of the mains power supply in to the DC socket located on the rear of the PoE switch.
4. The green power LED status indicator should now be lit indicating that the unit is now on.
5. Connect your required PoE devices using Ethernet cables (not included) to the PoE ports located on the switch.

**Note: It is strongly recommended that the earth (ground) be connected.**

## **Safety Instructions:**

- Ensure the vents on the sides of the units are not covered.
- Ensure that the earth (ground) is connected to avoid electrical shock
- Do not position the unit close to any heating source or in direct sunlight.
- Ensure the unit does not come in to contact with any water or moisture as it may damage the unit.

## Troubleshooting:

<b>Problem</b>	<b>Solution</b>
Power LED Not Turning On	Check if the mains power supply is properly connected to a 240VAC Outlet
	Check if the DC plug of the mains power supply is connected properly to the socket of the switch
	Check if the LED power supply is working, the LED on the power supply should be lit up
Link LED Not Turning On	Ensure the device you have connected is switched on
	Check that the ethernet cable is connected properly on both the device and the switch

## Specifications:

Ports: 4 x PoE (RJ45)

1 x Uplink (RJ45)

Power Output: 30W Per Port (Max)

15.4W Per Port (Across 4 Ports)

65W (Total)

PoE Standards: IEEE 802.3at (DTE Power Via MDI), IEEE 802.3af, IEEE 802.3x (Flow Control),

IEEE 802.3u (100 Base Tx), IEEE 802.3i (10 Base T)

Network Speed: 10/100Mbps

Bandwidth: 1.6Gbps

Buffer Memory: 96Kb

Transmission Speed: Up to 100m

Pin Assignment: Data (1/2 & 3/6), Power (1/2+ & 3/6-)

Network Ports: Auto Negotiation, Auto MID, Auto MDIX

Power Supply: 52VDC, 1.25A

Dimensions: 118(W) x 85(D) x 27(H)mm

Distributed by:

TechBrands by Electus Distribution Pty. Ltd.

320 Victoria Rd, Rydalmere

NSW 2116 Australia

Ph: 1300 738 555

Int'l: +61 2 8832 3200

Fax: 1300 738 500

[www.techbrands.com](http://www.techbrands.com)