

APS-6018
XC5254



Instruction Manual

IMPORTANT SAFETY INSTRUCTIONS

Please read all instructions carefully and retain for future reference.

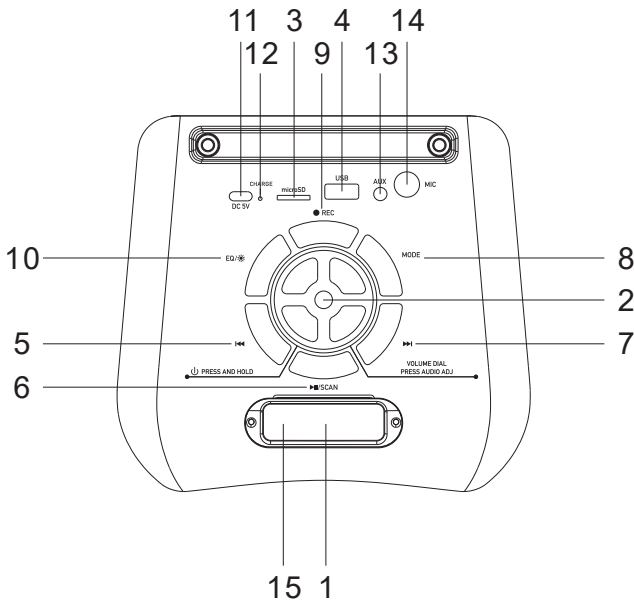
When using the unit, basic safety precautions should always be followed, including the following:

- 1.Keep this product and its adaptor away from direct sunlight, liquids, excessive heat or flammable materials.
- 2.Do not place any naked flame sources such as lit candles on or near the speaker.
- 3.Do not operate this product if it has malfunctioned or has been damaged in any way.
- 4.No user-serviceable parts inside. Do not dismantle.
- 5.This product is intended for indoor, domestic use only. Do not use outdoors.
- 6.This product is not a toy. Children should be supervised to ensure that they do not play with the appliance.
- 7.Do not expose batteries to heat or fire as they may explode.
- 8.Do not dispose of batteries in your household waste. Contact your local council for information on disposal or recycling.
- 9.Do not immerse the unit in water or other liquids. Do not expose to corrosive liquids or gases. Store in a cool, dry place.
- 10.Clean only with a soft, dry cloth. Do not use harsh or abrasive cleaning products as this may cause damage.
- 11.Place the unit on a flat, stable surface. Do not cover the speaker during use.
- 12.Do not insert foreign objects into any opening on the unit.
- 13.Do not play music at excessive volume levels as this can cause hearing loss or damage the unit.

CONTENTS OF BOX

- 1x speaker unit
- 1x USB charging cable
- 1x wired microphone
- 1x remote control with 2x AAA battery
- 1x user manual
- 1x warranty card

OVERVIEW



1. LED Display

2. POWER / VOLUME / AUDIO ADJUSTMENTS

Press and hold the Dial to turn on or turn off the speaker.

Turn dial to adjust music volume (default).

Press the Dial repeatedly to switch through the audio adjustment options (Bass / Treble / Microphone Volume / Microphone Reverb), then use the Dial to adjust the chosen option.

Note: The adjustment option goes back to Volume after 4 seconds of no operation.

3. microSD card slot

Insert microSD card to playback mp3 audio files (max size 32GB, FAT32 format).

4. USB port

Insert USB card to playback mp3 audio files (max size 32GB, FAT32 format).

5. ◀◀ PREV Button

Short press to play previous song (in USB / microSD / BT mode).

Short press to go to previous channel (in FM mode).

6. ▶▶ PLAY / PAUSE / SCAN:

Short press to play/pause the song (in USB / microSD / BT mode).

In USB/microSD mode, press and hold to select one of five playback sequencing modes (All - play all tracks in sequence; RAND - play in random; ONE - repeat one track; FOL - repeat all tracks in a folder; OFF - Turn off loop mode) In AUX/FM mode, short press to toggle between mute and full volume.

Scan: In FM mode, press and hold to enter automatic scan of available channels.

All the scanned radio stations will be saved automatically.

7. ▶▶▶ NEXT Button

Short press to play next song (in USB / microSD / BT mode).

Short press to go to next channel (in FM mode).

8. MODE Button

Short press to switch between available modes (USB / microSD(TF) / AUX / BT / FM).

In USB/microSD mode, press and hold to switch between recording folder and mp3 folder.

TWS: Press and hold to pair 2 speakers for TWS in BT mode (requires 2 speakers – see TWS section for details).

9. REC Button

Short press to record microphone sound to USB /microSD card.

Note: Set MIC ECHO to minimum when recording.

Press and hold to delete a recorded file.

10. EQ / ☀ LIGHTS Button

Short press to select an environment mode (NOR, POP, ROC, JAZ, CLA, CUT).

Press and hold to switch between available lighting modes, and to turn the lights on or off.

11. DC 5V Charging Port

Type-C USB Charging Port to charge the device.

12. Charging Indicator

Red=charging; Light off= fully charged

13. AUX Input

3.5mm AUX input to connect auxiliary devices.

14. MIC Input

Connect wired microphone here.

15. Remote Control Receiver

REMOTE CONTROL OPERATION

The remote control uses 2x AAA batteries. Please ensure correct polarities when changing batteries..



1. Power: Turn on or set the unit to standby mode. Unit turns on in BT mode.
2. : Mute or restore volume.
3. EQ: Select an environment mode (NOR, POP, ROC, JAZ, CLA, CUT).
4. MODE: Switch between available modes (USB / microSD / AUX / BT / FM). In USB/microSD mode, press and hold to switch between recording folder and mp3 folder.
5. BASS-: Reduce Bass
6. BASS+: Increase Bass
7. TWS: In BT mode, short press to enter TWS interconnection mode.
8. : Short press to switch between the lighting modes and to turn off the lights.
9. VOL+: Increase volume
10. VOL-: Reduce volume
11. : Go to previous song, or previous channel (in FM mode).
12. : Short press to play/pause. In USB/microSD mode, press and hold to switch between five playback sequencing modes (ALL / RAND / ONE / FOL / OFF). Press and hold to scan in FM mode.
13. : Go to next song, or next channel (in FM mode).
14. Number Buttons 0-9: In USB/microSD mode, input numbers directly to play a track (for e.g., 1, 2 to play track 12). In FM mode, input numbers directly to play a channel (for e.g. 1, 0, 7, 5 to play 107.5MHz).

CHARGING THE SPEAKER

Charge the unit fully before using it for the first time and whenever the sound becomes weak.

- 1.Connect the Type-C end of the USB Charging Cable to the DC5V port on the unit and the Type-A end to a suitable USB adaptor (see Technical Specifications for details) and turn on.
- 2.The red Charging Indicator turns on when the unit is charging and turns off when it is fully charged. Remove the charging cable promptly. Do not overcharge.

Charging time: Around 4 hours.

TURN ON / OFF / CHANGE MODES

- Press and hold the Power / Volume Dial to turn the speaker on or off.

Short press the MODE Button repeatedly to switch between the available modes: USB / microSD (TF) / AUX / BT / FM.

LIGHTS ON / OFF / CHANGE LIGHT MODES

- Press and hold the EQ/lights button on the unit to switch between the available lighting modes or to turn lights off.

BLUETOOTH CONNECTION

- Place the speaker close to (within 10 metres of) your Bluetooth enabled device.
- If not in Bluetooth mode, press Mode Button repeatedly to switch to Bluetooth mode.
- Enable Bluetooth function on your Bluetooth-enabled smartphone, tablet or media player; navigate to the Bluetooth setting menu, and search for new devices. The Bluetooth name for this speaker is 'Aiwa_APS-6018'.
- Once connected, you can short press Previous or Next Button to play the previous or next song.

FM RADIO PLAYBACK

- Press the Mode Button repeatedly to switch to FM Radio mode.
- Press and hold the Play/Pause/SCAN Button to search for available FM channels automatically. Once the search is complete, the speaker will store the channels automatically.
- Press the Previous or Next Buttons to switch between the channels.

USB / microSD / AUX INPUT

- Connect a USB/microSD memory device or an AUX device via AUX cable to the appropriate port.
- Press the Mode Button repeatedly to switch to the correct mode.
- In AUX mode, all adjustments can be made on the AUX device.

Note:

- Only MP3 format is compatible.
- Maximum size of the USB/ microSD device that can be connected is 32GB (FAT32 format).

KARAOKE FUNCTION

- Plug in the microphone to the MIC Input.
- Short press the Volume Dial repeatedly to switch through the audio adjustment options (Bass / Treble / Microphone Volume / Microphone Reverb, then use the Dial to adjust the chosen option.
- Note: The adjustment option goes back to Volume after 4 seconds of no operation.

RECORDING TO A USB / microSD MEMORY DEVICE

Note: Only microphone audio can be recorded.

- 1.Connect a USB/microSD memory device to the appropriate port.
- 2.Short press REC button to start recording; short press REC button again to stop recording and start playing.
- 3.Press and hold REC button to delete the recorded audio.

TRUE WIRELESS STEREO (TWS) MODE

(Optional, requires two speakers, works in BT mode only)

If you have two speakers (model: APS-6018), you can use them together for a more immersive audio experience.

- 1.Place the two speakers in the same room and turn them on.
- 2.If the speakers are not in Bluetooth mode, long press the Mode Button to switch to Bluetooth mode (do not connect to any device at this stage).
- 3.Press and hold the MODE button on one speaker to enter TWS pairing mode. The two speakers will pair to each other with an audio alert.
- 4.Turn on your Bluetooth device like a smartphone and connect to 'Aiwa APS-6018'.
- 5.Once connected, you can play Bluetooth audio from your source device on the speakers wirelessly, in stereo.

TECHNICAL SPECIFICATIONS

Power: 60W

Driver Unit: 2x 6.5"

Frequency Response for main speaker:40Hz-20KHz

Rechargeable Battery: DC7.4V, 3600mAh

Power Supply: DC 5V, 2A

aiwa[®]
Japan est1951