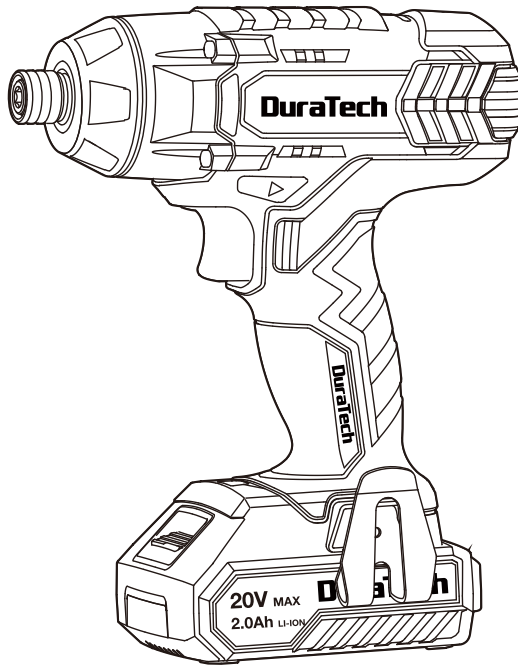


# DuraTech

## ORIGINAL OPERATING INSTRUCTIONS

### CORDLESS IMPACT DRIVER



Thank you for buying a DuraTech 20V cordless impact driver. Your new cordless impact driver has been engineered and manufactured to DuraTech's high standard for dependability, ease of operation, and operator safety. Properly cared for, it will give you years of rugged, trouble-free performance.



**WARNING:** To reduce the risk of injury, the user must read and understand the operator's manual.

**SAVE THIS MANUAL FOR FUTURE REFERENCE**



Distributed by  
Hangzhou GreatStar Industrial Co., Ltd.  
No.35 Jiujuan Road, Jiubao Town,  
Hangzhou 310019, China  
[www.greatstartools.com](http://www.greatstartools.com)

## TABLE OF CONTENTS

Caution.....	2
Environmental protection .....	2
Disposal of an exhausted battery pack .....	2
Description of symbols .....	2
General safety rules .....	4
Additional safety instructions .....	4
Additional safety instructions for the charger .....	4-5
Additional safety instructions related to the battery pack and battery safety .....	5
When to charge the battery .....	5
Know your product and specifications .....	6
Operating instructions .....	7-8
Problem solution .....	8
Maintenance .....	8
Battery capacity indicator and charger indicator .....	8-9

**⚠ CAUTION!** Carefully read through this entire Instruction Manual before using your new DuraTech Power Tool. Take special care to heed the Cautions and Warnings. Your DuraTech power tool has many features that will make your job faster and easier. Safety, performance, and dependability have given top priority in the development of this tool, making it easy to maintain and operate.

### ENVIRONMENTAL PROTECTION



This product has been marked with a symbol relating to removing electric and electronic waste. This means that this product shall not be discarded with household waste but that it shall be returned to a collection system.

It will then be recycled or dismantled in order to reduce the impact on the environment. Electric and electronic equipment can be hazardous for the environment and for human health since they contain hazardous substances.

### DISPOSAL OF AN EXHAUSTED BATTERY PACK



To preserve natural resources, please recycle or dispose of the battery pack properly. This battery pack contains Li-ion batteries. Consult your local waste authority for information regarding available recycling and/or disposal options. Discharge your battery pack by operating your tool, then remove the battery pack from the tool housing and cover the battery pack connections with heavy-duty adhesive tape to prevent short circuit and energy discharge. Do not attempt to open or remove any of the components.

### DESCRIPTION OF SYMBOLS

The rating plate on your tool may show symbols. These represent important information about the product or instructions on its use.



Wear hearing protection.  
Wear eye protection.  
Wear breathing protection.



Double insulated for additional protection.



Do not expose to rain or water



Do not burn



Read these operating instructions well before you use the tool.



Risk of injury when instructions are not followed



Risk of electric shock



Do not throw the electronic waste products into the domestic waste refuse. Such products must be delivered to a recycling centre.

## GENERAL SAFETY RULES

### **⚠ WARNING: Read and understand all instructions.**

Failure to follow the warnings and instructions may result in electric shock, fire and/or serious injury. Save all warnings and instructions for future reference.

The term “power tool” in the warnings refers to your mains-operated (corded) power tool or battery-operated (cordless) power tool.

### **1. Work area safety**

- a. Keep work area clean and well lit. Cluttered or dark areas invite accidents.
- b. Do not operate power tools in explosive atmospheres, such as in the presence of flammable liquids, gases or dust. Power tools create sparks which may ignite the dust or fumes.
- c. Keep children and bystanders away while operating a power tool. Distractions can cause you to lose control.

### **2. Electrical safety**

- a. Power tool plugs must match the outlet. Never modify the plug in any way. Do not use any adapter plugs with earthed (grounded) power tools. Unmodified plugs and matching outlets will reduce risk of electric shock.
- b. Avoid body contact with earthed or grounded surfaces, such as pipes, radiators, ranges and refrigerators. There is an increased risk of electric shock if your body is earthed or grounded.
- c. Do not expose power tools to rain or wet conditions. Water entering a power tool will increase the risk of electric shock.
- d. Do not abuse the cord. Never use the cord for carrying, pulling or unplugging the power tool. Keep cord away from heat, oil, sharp edges or moving parts. Damaged or entangled cords increase the risk of electric shock.
- e. When operating a power tool outdoors, use an extension cord suitable for outdoor use. Use of a cord suitable for outdoor use reduces the risk of electric shock.

### **3. Personal safety**

- a. Stay alert, watch what you are doing and use common sense when operating a power tool. Do not use a power tool while you are tired or under the influence of drugs, alcohol or medication. A moment of inattention while operating power tools may result in serious personal injury.
- b. Use personal protective equipment. Always wear eye protection. Protective equipment such as dust mask, non-skid safety shoes, hard hat, or hearing protection used for appropriate conditions will reduce personal injuries.
- c. Prevent unintentional starting. Ensure the switch is

in the off-position before connecting to power source and/or battery pack, picking up or carrying the tool. Carrying power tools with your finger on the switch or energising power tools that have the switch on invites accidents.

- d. Remove any adjusting key or wrench before turning the power tool on. A wrench or a key left attached to a rotating part of the power tool may result in personal injury.
- e. Do not overreach. Keep proper footing and balance at all times. This enables better control of the power tool in unexpected situations.
- f. Dress properly. Do not wear loose clothing or jewellery. Keep your hair, clothing and gloves away from moving parts. Loose clothes, jewellery or long hair can be caught in moving parts.
- g. If devices are provided for the connection of dust extraction and collection facilities, ensure these are connected and properly used. Use of dust collection can reduce dust-related hazards.
- h. Do not let familiarity gained from frequent use of tools allow you to become complacent and ignore tool safety principles. A careless action can cause severe injury within a fraction of a second.

### **4. Power tool use and care**

- a. Do not force the power tool. Use the correct power tool for your application. The correct power tool will do the job better and safer at the rate for which it was designed.
- b. Do not use the power tool if the switch does not turn it on and off. Any power tool that cannot be controlled with the switch is dangerous and must be repaired.
- c. Disconnect the plug from the power source and/or the battery pack from the power tool before making any adjustments, changing accessories, or storing power tools. Such preventive safety measures reduce the risk of starting the power tool accidentally.
- d. Store idle power tools out of the reach of children and do not allow persons unfamiliar with the power tool or these instructions to operate the power tool. Power tools are dangerous in the hands of untrained users.
- e. Maintain power tools. Check for misalignment or binding of moving parts, breakage of parts and any other condition that may affect the power tool's operation. If damaged, have the power tool repaired before use. Many accidents are caused by poorly maintained power tools.
- f. Keep cutting tools sharp and clean. Properly maintained cutting tools with sharp cutting edges are less likely to bind and are easier to control.
- g. Use the power tool, and accessories in accordance with these instructions, taking into account the working conditions and the work to be performed.

Use of the power tool for operations different from those intended could result in a hazardous situation.

- h. Keep handles and grasping surfaces dry, clean and free from oil and grease. Slippery handles and grasping surfaces do not allow for safe handling and control of the tool in unexpected situations.

## 5. Service

- a. Have your power tool serviced by a qualified repair person using only identical replacement parts. This will ensure that the safety of the power tool is maintained.

## 6. Battery tool use and care

- a. Ensure the switch is in the off position before inserting battery pack. Inserting the battery pack into power tools that have the switch on invites accidents.
- b. Recharge only with the charger specified by the manufacturer. A charger that is suitable for one type of battery pack may create a risk of fire when used with another battery pack.
- c. Use power tools only with specifically designated battery packs. Use of any other battery packs may create a risk of injury and fire.
- d. When battery pack is not in use, keep it away from other metal objects like paper clips, coins, keys, nails, screws, or other small metal objects that can make a connection from one terminal to another. Shorting the battery terminals together may cause burns or a fire.
- e. Under abusive conditions, liquid may be ejected from the battery; avoid contact. If contact accidentally occurs, flush with water. If liquid contacts eyes, additionally seek medical help. Liquid ejected from the battery may cause irritation or burns.

## ADDITIONAL SAFETY INSTRUCTIONS FOR THE CHARGER

Your DuraTech tool with Lithium Ion batteries may only be charged with the specific designed DuraTech Lithium Ion battery charger purchased with the tool.

## IT IS DANGEROUS TO USE ANY OTHER BATTERY CHARGER TO CHARGE YOUR TOOL

- Do not attempt to charge the battery pack with any other charger than the one supplied.
- Before using the charger, read all the instructions, labels and cautionary markings on the charger and battery pack as well as the instructions on using the battery pack.
- Do not use the charger if it has been subjected to a heavy knock, dropped or otherwise damaged in anyway. Take the charger to an authorised service centre for a check or repair.
- Do not disassemble the charger. Opening or removing covers may expose you to dangerous voltages or other risks. Incorrect reassembly can

cause electric shock when you use the tool or charger again. Take the charger to a power tool repair centre when service or repair is required.

### ⚠ DANGER.

- If the battery pack is cracked or damaged in any other way, do not insert it in the charger.
- Do not plug anything other than your DuraTech tool into the charger, as other objects may touch dangerous voltage points or short out parts, which could result in fire or electric shock.
- Do not place the tool or charger on an uneven surface, as a fall may cause serious damage.
- Never place the tool or charger near or over a heat source such as a radiator or heater.
- Do not operate the charger in a cabinet or other enclosure unless proper ventilation is provided.
- Use the battery charger indoors only.

### ⚠ WARNING.

- Do not allow any liquid to come into contact with the charger. There is a danger of electric shock. Do not position the tool or battery charger near water; for example, near a sink, wash bowl or toilet. Do not spill liquid of any kind on the tool or charger. Doing so may short out parts, Causing damage to the product and creating the risk of fire or electric shock.
- To reduce the risk of an electric shock, unplug the charger from the power supply before attempting to clean it. To clean tool or charger, wipe with a damp cloth. Use of any other cleaners is not recommended.
- Do not place any object on to, or allow anything to rest on the charger.
- Make sure that the charger cable is positioned where it will not be stepped on, tripped over or otherwise subjected to damage or stress. Keep the lead away from operating machinery.
- Do not pull on the lead of the charger to disconnect it from the mains power socket.
- Do not use an extension cord unless it is absolutely necessary. The use of an improper extension cord could cause the risk of fire, electric shock or electrocution.
- Never attempt to connect two chargers together.
- Do not charge batteries or use the tool and battery pack in locations where the temperature may be below 40°F(4°C) or exceed 104°F(40°C) such as alongside sheds or metal structures.
- If you wish to charge a second battery pack, unplug the charger from the mains supply and leave it for at least 15 minutes. After this time you can charge a second battery pack.

## ADDITIONAL SAFETY INSTRUCTIONS RELATED TO THE BATTERY PACK AND BATTERY SAFETY

- Use only the DuraTech batteries supplied with the DuraTech Tool or DuraTech-approved replacements.
- Do not use the battery to power any device other than the DuraTech tool it was sold with.

Charge the battery only with the DuraTech charger supplied with the tool or DuraTech-approved replacements and according to the instructions in the DuraTech Instruction Manual.

Do not charge the battery in a place where static electricity is generated nor let the battery touch something that is statically charged.

The battery can be stored at temperatures between 40°F(4°C) and 104°F(40°C).

Never store or leave your lithium ion battery in temperatures over that recommended otherwise fire may occur.

Do not store the Lithium Ion battery anywhere that the temperature can easily reach higher temperatures than recommended -this includes garden type sheds, and Vehicles where the inside temperature can climb to dangerous levels in the direct sunlight and on high temperature days. **THINK BEFORE LEAVING YOUR LITHIUM ION BATTERY PACK IN STORAGE.**

The battery can be charged or operated at temperatures between 40°F(4°C) and 104°F(40°C).

**NEVER CHARGE YOU LITHIUM ION BATTERY BELOW OR ABOVE TEMPERATURES RECOMMENDED OTHERWISE FIRE OR SERIOUS DAMAGE TO THE BATTERY PACK MAY OCCUR.**

The most suitable temperatures to charge the battery pack are between 68°F(20°C) -77°F(25°C).

Always allow the battery pack to cool down after charging, do not place it in a hot environment such as a metal shed or open trailer left in the sun.

Take care where the tool is stored. Do not store in areas of corrosive fumes, or salt air or similar conditions. Try and store the tool in the packaging supplied with the tool.

Do not dispose of the battery in a fire or put the battery into a microwave oven, conventional oven, dryer, or high-pressure container. Under these conditions, the battery may explode.

Never attempt to open the battery pack, puncture the battery or subject the battery to strong physical shock.

If the plastic housing of the battery pack breaks open or cracks, immediately discontinue its use and do not recharge it. Ensure the battery pack clip is in good condition and will not allow the pack to fall free from the tool. If the clip is damaged or for any reason is not locking the pack in place, Do Not continue to use.

Stop using the battery if it exhibits abnormal heat, odour, colour, deformation, or is in an abnormal condition.

If you detect leakage or a foul odour, it is especially important to keep the battery away from fire. If battery liquid leaks onto your skin or clothes, wash well with clean water immediately. If liquid leaking from the battery gets into your eyes, do not rub your eyes. Rinse your eyes well (for at least 10 minutes) with clean water, and consult a doctor immediately.

Do not use a leaking battery.

Handle batteries with care to avoid shorting the battery with conducting materials, such as nails, screws, metal watch bands, rings, bracelets, and keys. The battery may overheat and could burn you.

After the battery has reached the end of its useful life, we recommend recycling the materials at your local municipal council recycling centre. DO NOT attempt to replace the battery cells in the battery pack, repair or modify any part of the battery pack assembly.

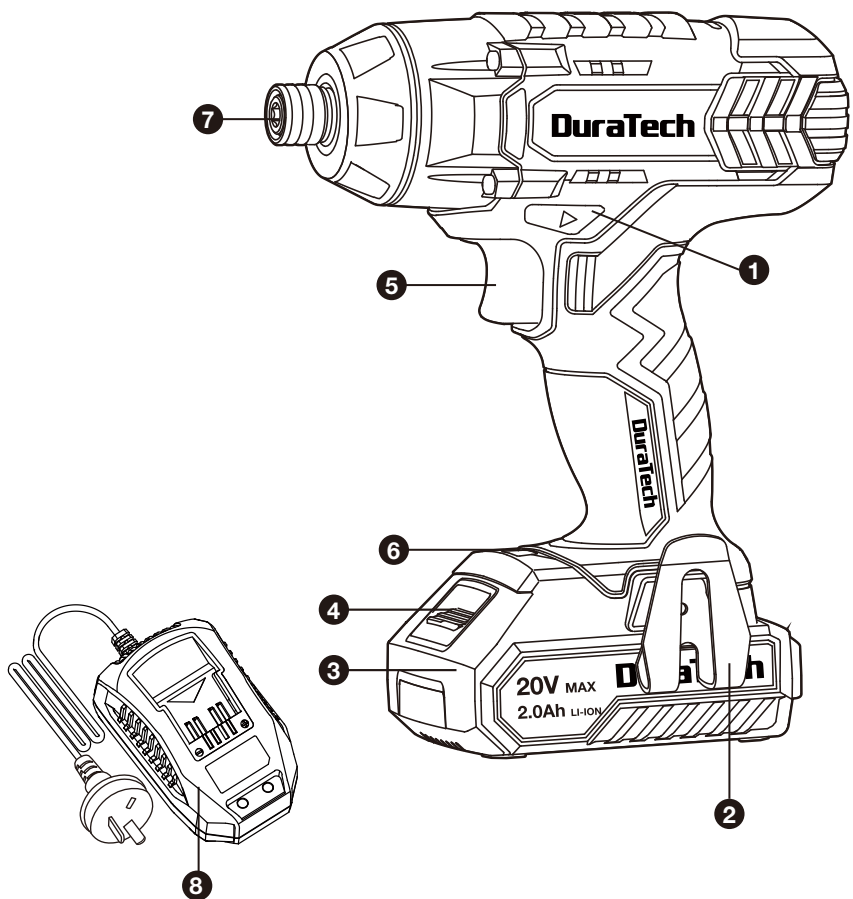
When recycling, make it nonconductive by applying insulating tape to the terminals located on the battery.

## **WHEN TO CHARGE THE BATTERY**

New batteries are shipped in a low charged condition and should be fully charged before Use. The battery pack can be recharged at any time during use, provided the pack is not overheated.

If the battery pack starts to cut out due to low voltage, or previous tasks undertaken can no longer be performed, it is suggested to stop using the tool and recharge the battery.

For storage, it is suggested to recharge the battery between 50% and 75% charge.



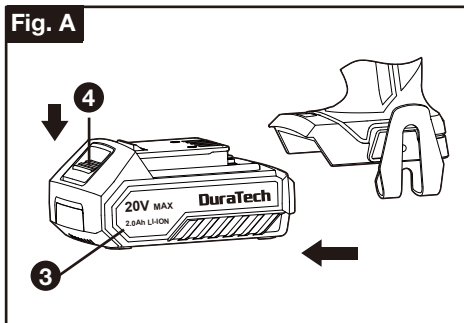
## KNOW YOUR PRODUCT

1	Forward, Reverse Rotation and Lock Control
2	Belt Clip
3	Battery Pack
4	Battery Pack Release Button
5	ON/OFF Switch With Variable Speed Control
6	LED Light
7	Collet Locking Sleeve
8	Charger

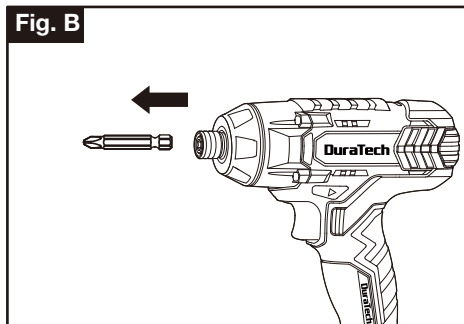
## SPECIFICATIONS

Charger: .....220-240V~, 50-60Hz  
 Battery: .....2.0Ah  
 Charging Time: .....Around 1H  
 Drill No Load Speed: .....0-2600/min<sup>-1</sup>  
 Torque: .....150 N.M.  
 Drill Chuck Capacity: .....1/4" (6.35mm) hex  
 Driver Impact Frequency: .....0-3500/min<sup>-1</sup>  
 Weight: .....1.29Kgs(2.84Lbs)  
 Battery:.....0.40Kg(0.88Lb)

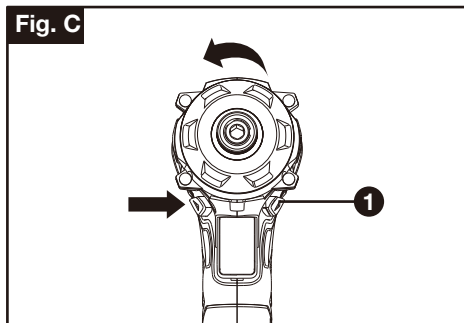
**Fig. A**



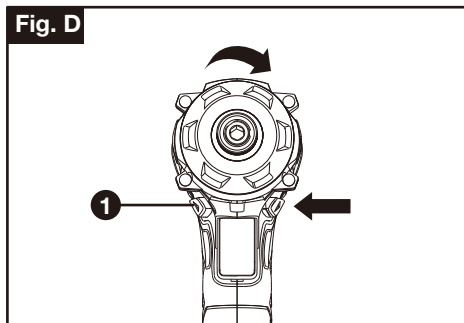
**Fig. B**



**Fig. C**



**Fig. D**



## OPERATING INSTRUCTIONS



**NOTE:** Before using the tool, read the safety and operating manual carefully.

### INTENDED USE

This tool is intended for the fastening and loosening of bolts, nuts and various threaded fasteners. This tool is not intended for use as a drill.

### BEFORE PUTTING INTO OPERATION

#### 1) Charging the Battery Pack

Your battery pack is UNCHARGED and you must charge once before use.

**⚠ WARNING:** The charger and battery pack are specifically designed to work together so do not attempt to use any other devices. Never insert or allow metallic objects into your charger or battery pack connections because an electrical failure and hazard will occur.

#### 2. To Remove or Install Battery Pack (Fig. A)

Depress the battery pack release button to release and slide the battery pack out from your tool. After recharge, slide it back into your tool. A simple push and slight pressure will be sufficient.

### OPERATION

#### 1. Collet Locking Sleeve

Pull the collet locking sleeve forward. Fully insert the desired bit into the chuck and release the collet locking sleeve. The collet accepts only standard 1/4" hexagonal shank accessories with power groove. Do not use this tool as a drill. Tools equipped with shut-off clutches are not designed for drilling applications. The clutch can shut off automatically and without warning. Attempting to restart drilling after shut-off has been reached can cause the tool to twist out of your hand until the clutch again reaches shut-off. Do not attempt to insert quick change type drill bits into this chuck.

#### 2. Removing A Bit Holder Extension, Socket or Screwdriver Bit (Fig. B)

Pull the collet locking sleeve forward. Take the tool out of the chuck and release the collet locking sleeve.

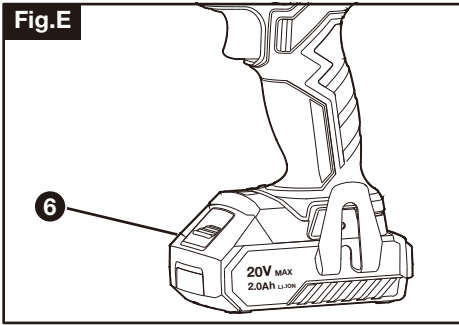
#### 3. Forward, Reverse Rotation and Lock Control (Fig. C & D)

Your tool is equipped with a forward, reverse rotation and lock control located above the on/off switch. It was designed for changing rotation of the chuck and for locking the on/off switch in the center position to help prevent accidental start and accidental battery discharge. For forward rotation, (with chuck pointed away from you) move the lever to the far left. For reverse rotation move the lever to the far right. To activate switch lock move the lever to the center off position.

**⚠ CAUTION:** Do not change direction of rotation until the tool comes to a complete stop. Shifting during rotation of the chuck can cause damage to the tool.



**Fig.E**



#### **4. Using The LED Light(Fig. E)**

The LED light allows you to keep a clear view under less illuminated circumstances. To turn on the light simply press the on/off switch. When you release the on/off switch, the light will be off.

#### **5. Tool Protection System**

**The tool will automatically stop during operation if the tool and/or battery are placed under one of the following conditions:**

- **Overloaded:** The tool is operated in a manner that causes it to draw an abnormally high current. In this situation, release the Trigger Switch on the tool and stop the application that caused the tool to become overloaded. Then pull the Trigger Switch again to restart.
- **Overheated:** Under the condition above, if the tool does not start, the Battery are overheated. In this situation, let the Tool and Battery cool before pulling the Trigger Switch again.
- **Low battery voltage:** The remaining Battery capacity is too low and the tool will not operate. In this situation, remove and recharge the Battery.

## **PROBLEM SOLUTION**

### **Reasons for Different Battery Pack Working Times**

Charging time problems, as above, and having not used a battery pack for a prolonged storage will reduce the battery pack working time. This can be corrected after several charge and discharge operations by charging & working with your tool.

Do not re-charge your battery pack below 40° F (4 C ) and above 104° F (40 C ) as this will affect performance.

## **MAINTENANCE**

- Clean the impact driver using a soft, damp cloth. Do not use detergents or flammable products which may damage the tool.
- Your cordless impact driver does not require regular mechanical maintenance such as greasing the bearings or the rollers.
- Check the state of the charger power cable before each use.

## **BATTERY CAPACITY INDICATOR**

### **Battery capacity indicator**

Press the battery capacity indicator switch. The battery capacity indicator shows the charge status of the battery using 4 LEDs.

#### **All 4 LEDs are lit:**

The battery is fully charged.

#### **3 or 2 or 1 LED(s) are lit:**

The battery has an adequate remaining charge.

#### **1 LED blinks:**

The battery is empty, recharge the battery.

## CHARGER INDICATOR

Indicator Status		Explanations and Actions
Red LED	Green LED	
ON	OFF	<p><b>Ready for use</b> The charger is connected to the mains and is ready for use; there is no battery pack in the charger</p>
Blink	OFF	<p><b>Pre-charge Mode (low-current safety charging)</b> As the battery pack voltage is under 12.5V, the charger is in Pre-charge mode, the charging current is below 0.5A. This can maximum the life of the battery.</p>
ON	Blink	<p><b>High-current charging</b> As the battery pack voltage is above 12.5V, the charger is in quick charge mode, the charging current is at 2.3-2.4A. <b>Important!</b> The actual charging times may vary slightly from the stated charging times depending on the existing battery charge.</p>
OFF	ON	<p><b>The battery is charged and ready for use.</b> The battery is fully charged and ready to use.. <b>Action:</b> Take the battery pack out of the charger. Disconnect the charger from the mains supply.</p>
Blink	Blink	<p><b>Fault</b> Charging is no longer possible. The battery pack maybe defective. <b>Action:</b> Never charge a defective battery pack. Take the battery pack out of the charger.</p>
Blink	OFF	<p><b>Temperature fault</b> The battery pack is too hot (e.g. due to direct sunshine/prolonged use) or too cold (below 40°F / 4°C). <b>Action:</b> Remove the battery pack and keep it at room temperature (approx. 68°F / 20°C) for 3 Hours.</p>