

protech

Compact High-Torque Electric Screwdriver Set

HOBBYIST



User Manual

TD2512

PRODUCT PARAMETERS:

Internal Battery:	3.7V, 2500mAh Li-Ion
Power Input:	USB-C, DC5V/1A
No Load Runtime:	150 Minutes
Bit Diameter:	6.35mm
Idle Speed:	200RPM
Torque:	3.5Nm

Bits Included (S2 Steel)

Torx:	T5, T6, T8H, T10H, T15H, T20H, T25H, T27H, T30H, T40H
Hex:	H1.5, H2, H2.5, H3, H4, H5, H6, H6.35, H8
Flat:	3, 4, 5, 6
Pozi:	PZ1, PZ2, PZ3
Phillips:	PH1, PH2 (x2), PH3

ACCESSORY LIST:



1x Portable Storage Bag



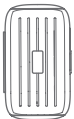
1x Electric Screwdriver



1x 1/4 Adaptor Sleeve



1x Extension Rod



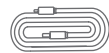
1x Bit Storage Box



30x Bits (6.35mm)

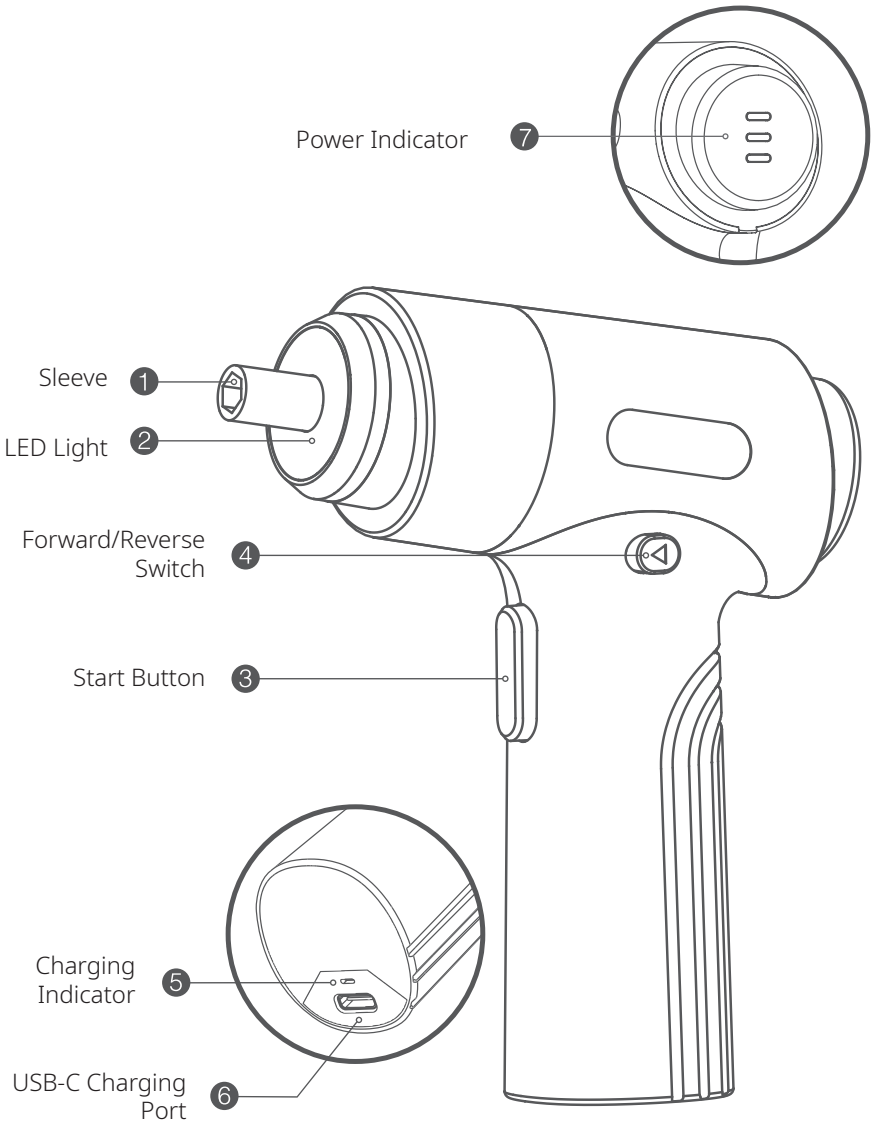


1x Magnetiser/
Demagnetiser

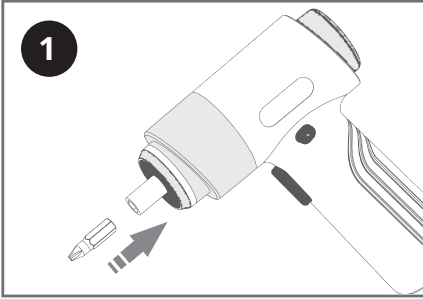


1x USB-C
Charging Cable

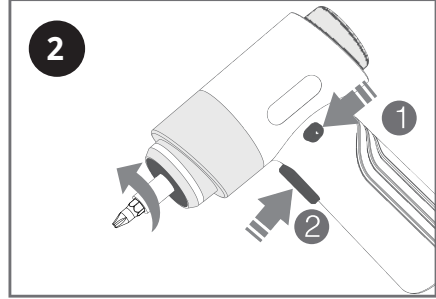
OVERVIEW:



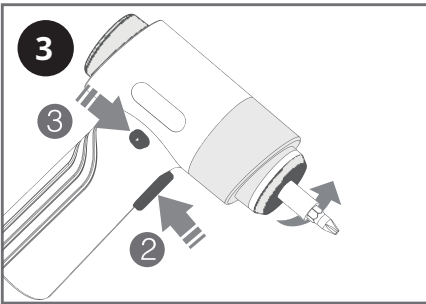
INSTRUCTIONS FOR USE:



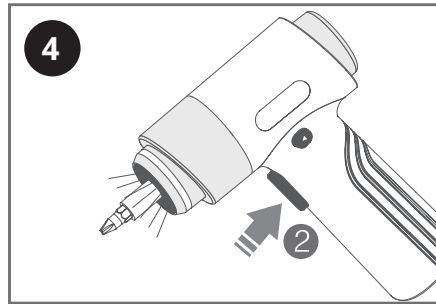
Installation of the bit head



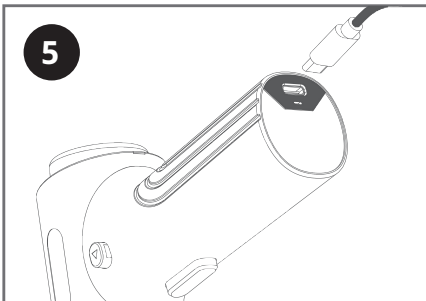
Adjust (1) and press (2) to loosen the screws.



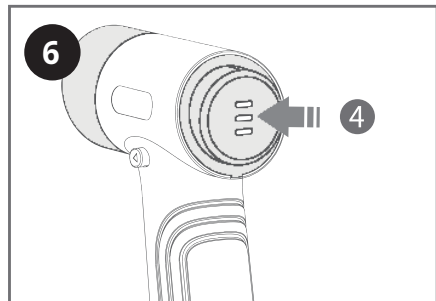
Adjust (3) and press (2) to tighten the screws.



Press (2) and the LED light will turn on, Release (2) and the LED light will turn off.



The screwdriver's charging port is USB-C and is recharged with standard 5VDC input.



The indicator light (4) on the back is the battery indicator. If the green, yellow and red lights are on the battery is full. If only the yellow and red lights are on the battery is at 50%

CHARGING INSTRUCTIONS:

When charging, the screwdrivers charging display light turns red during charging and green when fully charged.

1. Prior to the initial use of the screwdriver, please ensure that the battery is fully charged. The charging time should not exceed 2.5 hours.
2. To maintain the product's optimal performance, it is recommended to charge the electric screwdriver at least once a month.

SAFETY:



WARNING: Read and understand all instructions.

Failure to follow the warnings and instructions may result in electric shock, fire and/or serious injury.

1. Electrical Safety

- a. Always use the provided charger cable with suitable (5VDC/1A) power input.
- b. Avoid body contact with earthed or grounded surfaces, such as pipes, radiators, ranges and refrigerators. There is an increased risk of electric shock if your body is earthed or grounded. Do not expose the screwdriver to rain or wet conditions.
- c. Water entering the screwdriver will increase the risk of electric shock.
- d. Do not abuse the charger cable. Never use the cable for carrying, pulling or unplugging the screwdriver. Keep cord away from heat, oil, sharp edges or moving parts. Damaged or entangled cords increase the risk of electric shock.

2. Personal Safety

- a. Stay alert, watch what you are doing and use common sense when operating the electric screwdriver. Do not use the screwdriver while you are tired or under the influence of drugs, alcohol or medication. A moment of inattention while operating the electric screwdriver may result in serious personal injury.
- b. Use personal protective equipment. Always wear eye protection. Protective equipment such as dust mask, non-skid safety shoes, hard hat, or hearing protection used for appropriate conditions will reduce personal injuries.
- c. Prevent unintentional starting. Ensure the switch is in the off-position before connecting to power source, picking up or carrying the screwdriver. Carrying the electric screwdriver with your finger on the switch invites accidents.
- d. Remove any adjusting key or wrench before turning the screwdriver on. A wrench or a key left attached to a rotating part of the screwdriver may result in personal injury.
- e. Do not overreach. Keep proper footing and balance at all times. This enables better control of the screwdriver in unexpected situations.
- f. Dress properly. Do not wear loose clothing or jewellery. Keep your hair, clothing and gloves away from moving parts. Loose clothes, jewellery or long hair can be caught in moving parts.

- g. Do not let familiarity gained from frequent use allow you to become complacent and ignore core safety principles. A careless action can cause severe injury within a fraction of a second.

3. Power tool use and care

- a. Do not force the screwdriver. Use the correct power tool for your application. The correct power tool will do the job better and safer at the rate for which it was designed.
- b. Do not use the screwdriver if the switch does not turn it on and off. Any power tool that cannot be controlled with the switch is dangerous and must be repaired.
- c. Disconnect the cable from the power source and screwdriver before making any adjustments, changing accessories, or storing the screwdriver away. Such preventive safety measures reduce the risk of starting the screwdriver accidentally.
- d. When idle, keep out of the reach of children and do not allow persons unfamiliar with the power tool or these instructions to operate.
- e. Maintain the screwdriver. Check for misalignment or binding of moving parts, breakage of parts and any other condition that may affect the screwdriver's operation. If damaged, avoid use. Many accidents are caused by poorly maintained power tools.
- f. Use the screwdriver, and accessories in accordance with these instructions, taking into account the working conditions and the work to be performed.

Safety Warning:

- Do not allow any liquid to come into contact with the electric screwdriver. There is a danger of electric shock. Do not position the screwdriver near water; for example, near a sink, wash bowl or toilet.
- Do not spill liquid of any kind on the screwdriver. Doing so may short out parts, causing damage to the product and creating the risk of fire or electric shock.
- To clean the screwdriver, wipe with a damp cloth. Use of any other cleaners is not recommended.
- Make sure that the charger cable is positioned where it will not be stepped on, tripped over or otherwise subjected to damage or stress.
- Keep the lead away from operating machinery.
- Do not use an extension cord unless it is absolutely necessary. The use of an improper extension cord could cause the risk of fire, electric shock or electrocution.
- Do not charge or use the screwdriver in locations where the temperature may be below 40°F(4°C) or exceed 104°F(40°C) such as alongside sheds or metal structures.
- If you detect leakage or a foul odour, it is especially important to keep the battery away from fire. If battery liquid leaks onto your skin or clothes, wash well with clean water immediately. If liquid leaking from the battery gets into your eyes, do not rub your eyes. Rinse your eyes well (for at least 10 minutes) with clean water, and consult a doctor immediately.

Distributed by:
Electus Distribution Pty Ltd
46 Eastern Creek Dr,
Eastern Creek NSW 2766 Australia
Ph 1300 738 555

www.electusdistribution.com.au

Made in China