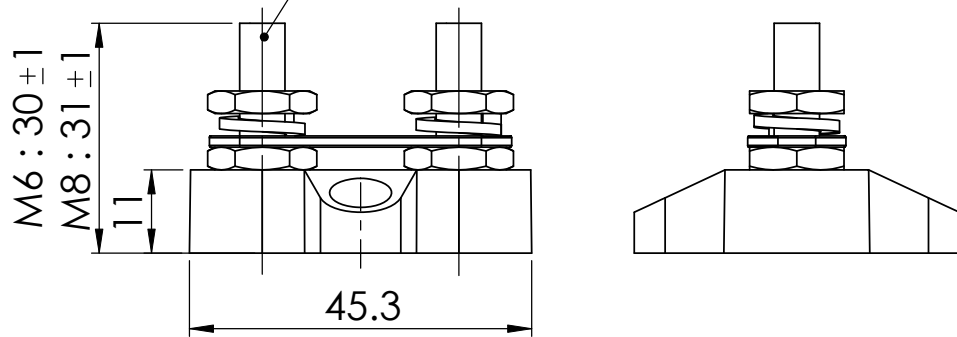


Features:

- Allow terminating of heavy-duty cables for one or more connections
- Red color allowing easy and clear color coding for wiring
- Glass Fiber reinforced Nylon base ensures great mechanical strength and durability

Screw Size : M6 / M8



Specification:

- Base Material | Nylon, Glass Fiber reinforced
- Stud material | Stainless steel
- Screw nuts material | Nickel-plated brass
- Link material | Tin-plated brass
- Max Operating Voltage | DC 48V
- Max Amp per circuit | Determined by wires connected

Modify	Date	Revision		Approval	No.	Item#	SZ2092(M8) SZ2094(M6)	Part#	Rev.	0
						Title	Dual Terminal Studs	Part	Unit	m/m
Size	0.5-6	>6-30	>30-120	>120-400		Mat'l	Finish	Ratio	1:1	
Tol	+/-0.05	+/-0.1	+/-0.15	+/-0.2						