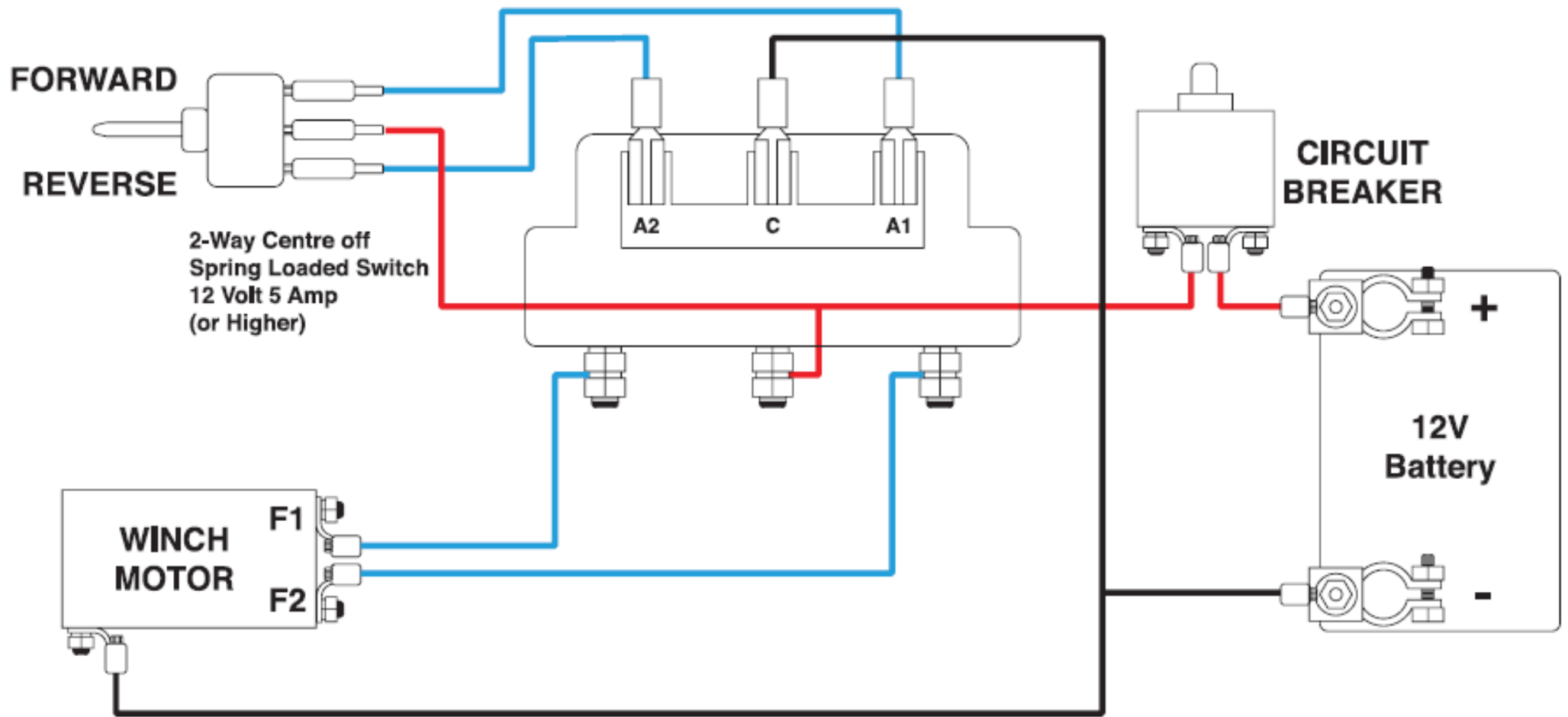


If motor runs backwards
(ie goes forward when it should be
reverse), swap the A1 and A2 connections



Connections for 3-wire winch motors that do
not require armature switching