

Rating	10A 125VAC, 6A 250VAC 1/2HP 125/250VAC		Circuit Diagram		
Contact Resistance	50m ohm Max.		OFF		
Insulation Resistance	DC 500V 100M ohm Min.		ON		
Dielectric Strength	AC 1500V 1 minute				
Operation Temperature	-25°C~85°C				
Switch Function	4P DPST ON-OFF(Illuminated)				

*MATERIAL:

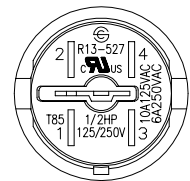
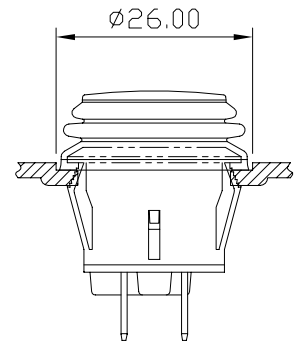
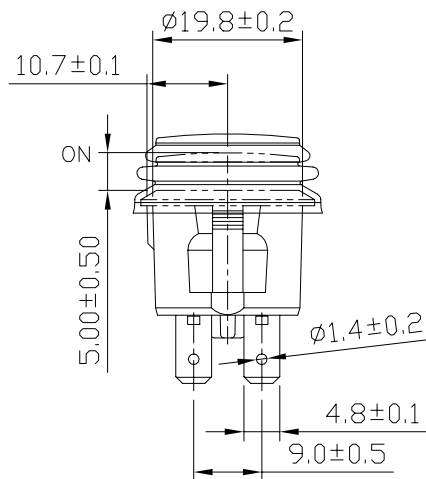
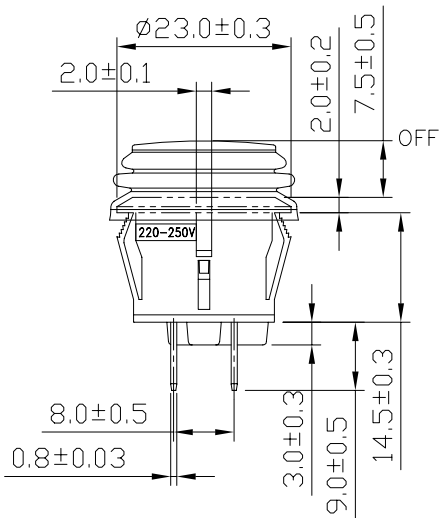
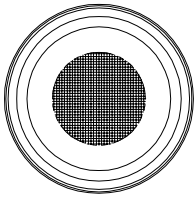
Frame: Black, Nylon 66 (94-V2)

Actuator: Red clear, PC (94-V2)

Terminals: Silver plated, Copper alloy

Waterproof Rubber: Black, Silicone

Lamp: Neon



U-FO TOP-TECH CO., LTD.

TEL:886-2-2753 0754 FAX:886-2-2753 0753

E-MAIL:ufotech@ms29.hinet.net

Part Name PUSH SWITCH

Part No. SP0744

Unit mm