

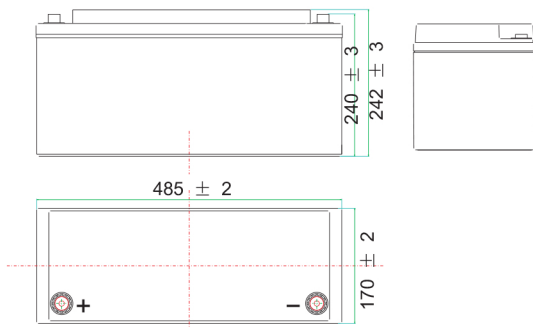
Maintenance-Free Rechargeable Sealed Lead-Acid Battery

SB1684

(12V150AH) Specification



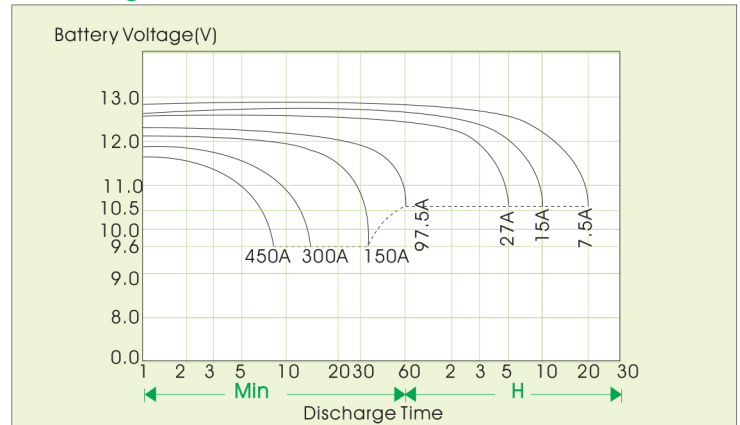
Dimensions(mm)



Nominal voltage		12V
Rated Capacity (10 HR)		150AH
Approx Weight		40.2kg
Terminal	Standard	I3-M8 Insert
	Optional	
Operation Temperature		
Charge	0°C(32°F)~40°C(104°F)	
Discharge	-20°C(-4°F)~50°C(122°F)	
Storage	-20°C(-4°F)~40°C(104°F)	

Capacity 25°C (77°F)	20 hour rate (7.5A)	153AH
	10 hour rate (15A)	150AH
	5 hour rate (27A)	135AH
	1 hour rate (97.5A)	97.5AH
Capacity affected by temperature	40°C (104°F)	103%
	25°C (77°F)	100%
	0°C (32°F)	86%
	-15°C (5°F)	65%
Self-discharge at 25°C (77°F) (Before recharge)	Capacity after 3 month	91%
	Capacity after 6month	82%
	Capacity after 12month	64%
Constant voltage charge	Cycle	Initial Charging Current ≤ 45A 14.4V~15V at 25°C (77°F)
	Standby	13.5V~13.8V at 25°C (77°F)
Max discharge current for 5 seconds		2250A

Discharge characteristic



Note: Discharge shall be cut-off at 10.5V if discharge at $< 1C_A$ and at 9.6V if at $\geq 1C_A$. It is recommended to recharge battery by constant-voltage charge immediately after use

Constant current (Amp) and Constant Power (Watt) Discharge Table at 25°C (77°F)

Final voltage	Time (min)	5	10	15	20	30	60	120	180	300	600
		1.80VPC	A	547.24	369.24	256.19	199.14	163.81	97.30	61.20	40.30
	W	5746.00	3877.00	2690.00	2091.00	1720.00	1021.00	643.00	423.00	282.00	156.00
1.75VPC	A	547.71	369.62	256.57	199.43	164.48	97.50	61.43	40.50	27.00	15.00
	W	5751.00	3881.00	2694.00	2094.00	1727.00	1024.00	645.00	425.00	283.60	158.00
1.70VPC	A	548.19	370.00	256.86	199.71	164.76	97.80	61.71	40.70	27.30	15.30
	W	5756.00	3885.00	2697.00	2097.00	1730.00	1027.00	648.00	427.70	286.40	160.80
1.65VPC	A	548.38	370.19	257.05	199.90	164.95	98.00	61.81	39.60	27.40	15.40
	W	5758.00	3887.00	2699.00	2099.00	1732.00	1028.80	649.00	415.60	287.40	161.80
1.60VPC	A	548.50	370.29	257.14	200.00	165.00	98.00	61.90	39.60	27.40	15.50
	W	5760.00	3888.00	2700.00	2100.00	1733.00	1029.70	650.00	416.50	288.30	162.70