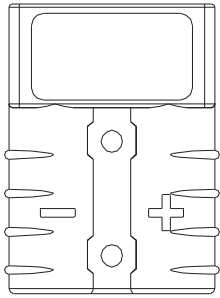


ELECTUS DISTRIBUTION



FEATURES

- **Mechanical keyed housings**
Prevents accidental mating of components
Operating at different voltage levels
- **Flat wiping contact system**
Minimal contact resistance at high current
Wiping action cleans contact surface during connection/disconnection
- **Genderless design**
Makes assembly quick and easy and
Reduces number of parts stock

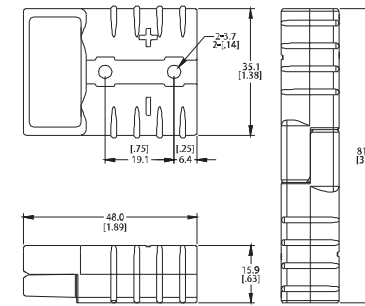


Connector Specifications

Rated current(Amperes)	50A	
Voltage Ratings (Volts)	600V	
Contact Barrel Wire Size[AWG]	6-12AWG 13.3-3.3mm ²	
Maximum Wire Insulation Diameter[inches]	0.44inches 11.2mm	
AVG Contact Resistance(micro-ohms)	200	
Insulation Withstanding Test Voltage (Volts AC/DC)	2200V	
Contact Retention Force (lbf)	50lbf	
Life		
a.No load (Contact/Disconnect Cycles)	To 10,000	
b.under Load (Hot Plug 250 cycles @ 120V)	50A	
AVg. Connection/Disconnect (lbf)	15lbf	
operating Temperature Range °C	°C	-20 °to 105 °
	°F	-4 °to 221 °
Flammability Rating of Housing Material	UL 94-V0	
Contact Material	Silver plated copper	

PT4540 Datasheet

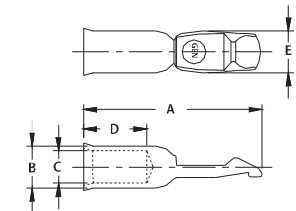
SE50 Housing



DIMENSIONS ARE:[INCH] MM

Part Number	Housing Color
SE992G5	Yellow
SE992G7	Orange
SE992G1	Red
SE992	Gray
SE992G4	Blue
SE992G6	Green
SE992G2	Black

SE50 Contact



Part Numbers	Mating Force	Wire Size		-A-		-B-		-C-		-D-		-E-	
		AWG	mm ²	Inch	mm	Inch	mm	Inch	mm	Inch	mm	Inch	mm
SE5900	High	6	13.3	1.18	30	0.28	7.1	0.22	5.6	0.43	10.9	0.28	7.1
SE5915	High	10/12	5.3/3.3	1.18	30	0.28	7.1	0.14	3.5	0.43	10.9	0.28	7.1
SE5952	High	8	8.4	1.18	30	0.28	7.1	0.19	4.8	0.43	10.9	0.28	7.1

Temperature rise charts

