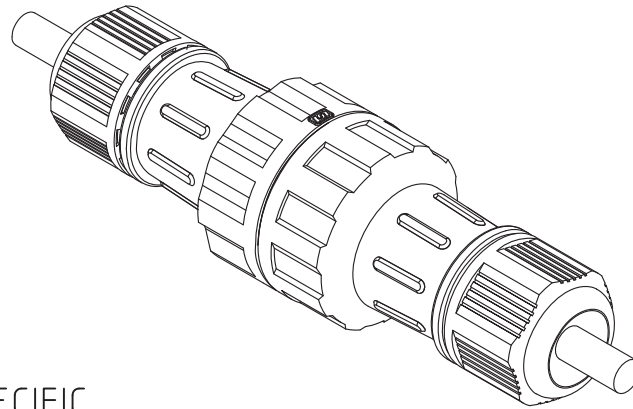
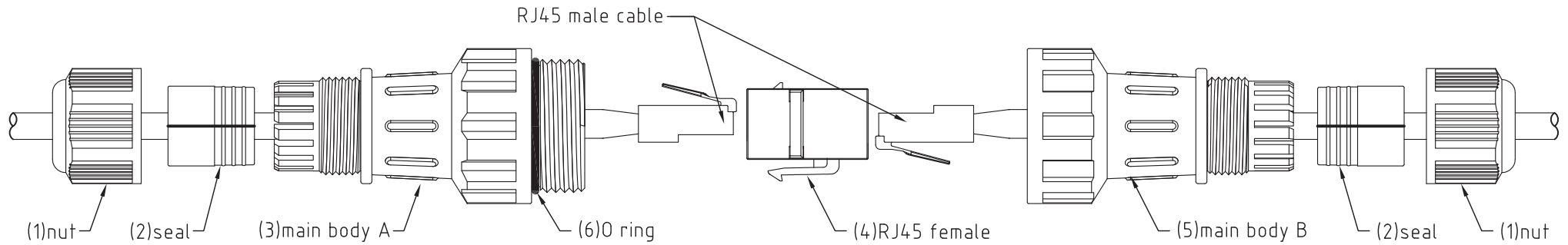


※Cable range: OD4-7mm



RoHS
LEAD FREE
TOLERANCE ±0.5 UNLESS SPECIFIC

6	O ring	Rubber	1
5	Main body B	PA	1
4	RJ45 coupler jack	8P8C shielded	1
3	Main body A	PA	1
2	Seal	TPR	2
1	Nut	PA	2
Item	Description	Material	Q'TY

PART NAME	RJ45 CONNECTOR
PART No.	PS4064
UNIT	MM