



Notes:
Please read this manual and its instructions carefully before use.
We are not responsible for any damage caused by incorrect or reckless operation.

Important Safety Information:

This safety guideline is to help you operate your MP3417 power adapter safely, to ensure your personal safety and reduce the risk of fire, electric shock or injury.

1. Do not apply external force on the cord.
2. Do not unplug by pulling the cord.
3. Do not connect a binded cord to the power supply.
4. Do not place the cord or device near heating elements.
5. Do not bend the blade or pins of the plug.
6. If there is any strange sound, smoke or odor, pull of the cable immediately.
7. Do not disassemble (It may cause fire or electric shock)
8. Do not put any sharp objects into the venting hole of the product (It may cause fire or electric shock)
9. Ensure to plug the product firmly.
10. Ensure not to use a damaged cable. (It may cause fire or electric shock)
11. Do not place the product on a bed, bag or inside a closet that is not good for ventilation.
12. Always wipe off the product with soft fabric, not water mop.(water may cause electric shock)
13. Keep clean the power plug and the outlet (Dirt may cause a short circuit and fire)
14. Keep the product out of reach of children.
15. Don't unplug the power cord with a wet hand. (It may cause electric shock)
16. Unplug the power cord if you don't use the product for a long time. (It may cause heat, fire and electric shock)

- 6 -

POWERTECH



5-20V 60W
Laptop Power Supply
MP3417
User Manual

Distributed by:
Electus Distribution Pty. Ltd.
320 Victoria Rd, Rydalmere
NSW 2116 Australia

www.electusdistribution.com.au

Made in China

Product Features:

1. Fast charging with up to 60W of power.
2. Perfect solution to Apple Macbook, Dell, HP, Chrombook,Lenovo, Acer, Asus and other devices using USB-C Power Delivery 3.0.
3. Adopt Qualcomm® Quick Charge® 3.0 technology, fast charging all the QC 4.0 and QC 3.0 devices.
4. Worldwide use with AC input 100-240V.
5. Ultra slim and curved housing design, compact and portable.
6. Multiple safety protection: over current protection, over voltage protection, short circuit protection, over temperature protection.

Product specifications:

Model: MP3417
Input: AC 100-240V 50/60Hz 1.5A
Output: USB-C DC 5-20V 3A (PD3.0 & QC4+)
USB A DC 5-12V 3A(QC3.0)
Power: 60W (MAX)
Size: 109*66*17mm
Weight: 141g

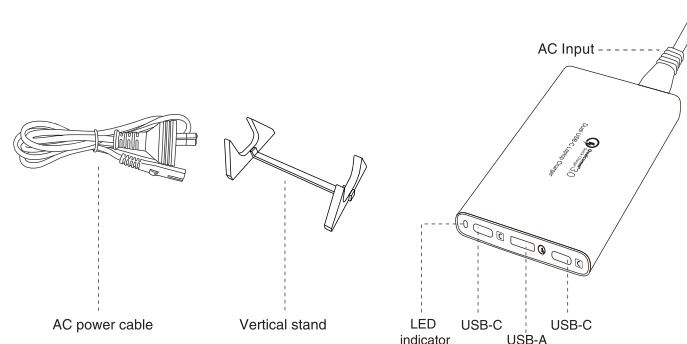
Package Content:

1. MP3417 laptop charger
2. AC power cable
3. USB-C charging cable
4. User manual



- 1 -

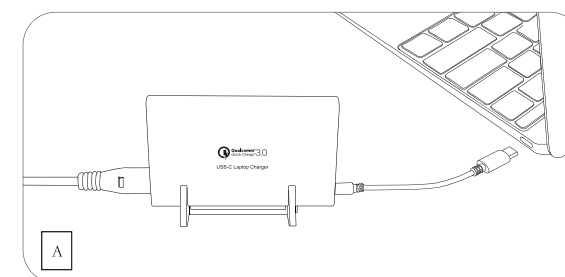
Product Diagram:



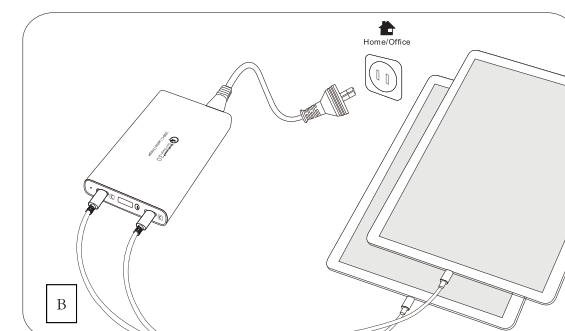
- 2 -

Product Instruction:

1. When you want to charge or supply power to USB-C laptop and other USB-C devices, connect the AC plug into the wall socket and insert the USB-C cable to your laptop, put the main unit onto the rack stand, then it works. (as picture A)



2. When you want to charge for your USB devices, connect the USB cable to any of QC3.0 charging ports which offer fast and efficient charging technology for your smart phones and tablet PCs. (as picture B)



Caution: This adapter supports power 60W max.If your used power exceeds 60W the adapter will occur to be over-load protection. When you re-plug the connection, then it will recover to normal work.

- 3 -