

Elite 400

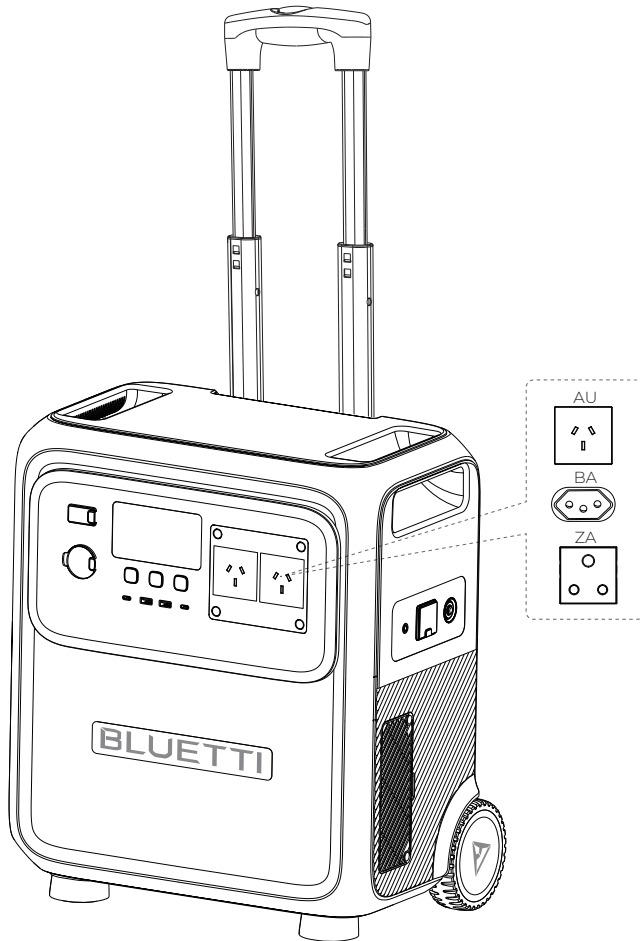
Portable Power Station

User Manual v2.0

Important Instructions

- For optimal performance, update your unit to the latest firmware before first use.
- See the appendix "Update Firmware via BLUETTI App" for guidance.
- Read and understand this manual before use and keep it handy for future reference.





⚠ Tips

1. Fully charge the unit before first use.
2. Do not use solar panels with an open circuit voltage higher than 60 V. The solar input voltage range for the unit is 12 V–60 V.
3. If the unit's SoC falls below 5%, please recharge the unit in time. If the SoC drops to 0, power off the unit and charge it for at least 30 minutes before restarting.
4. Do not connect the unit's AC output to the grid.
5. If not used for more than 3 months, charge the unit to 40%–60% SoC and store it with the power off.
6. For optimum battery life, discharge and charge the unit every 3 months.

Legal Information

Copyright © 2025 Shenzhen PowerOak Newener Co., Ltd. All rights reserved.

No part of this document may be reproduced or transmitted in any form or by any means without the prior written consent of Shenzhen PowerOak Newener Co., Ltd.

Notice

BLUETTI's products and services are subject to the terms and conditions agreed upon during purchase. Some aspects described in this manual may not be available under your purchase contract. Unless otherwise specified in the contract, BLUETTI makes no express or implied representations or warranties regarding the contents of this manual.

The contents of this manual are subject to change without notice. Please obtain the latest version from BLUETTI official website.

If you have any questions or concerns about this manual, please contact BLUETTI support for further assistance.

Contents



1. Safety Information	05
2. Packing List	08
3. Get to Know Your Elite 400	09
3.1 Overview	09
3.2 LCD Display	10
4. Use Your Elite 400	11
4.1 Power On/Off	11
4.2 Charging Options	12
4.3 Power Your Devices	14
5. Configure Your Elite 400	15
5.1 Settings Mode	15
5.2 AC Charging Mode	16
5.3 Power Lifting Mode	16
5.4 ECO Mode	16
6. View Device Information	17
7. UPS Feature	17
8. Grid Self-Adaption Mode	20
9. Maintenance and Care	21
10. System Switch Recovery	21
11. Specifications	22
12. Troubleshooting & FAQs	23
Appendix	24

1. Safety Information

INSTRUCTIONS PERTAINING TO RISK OF FIRE, ELECTRIC SHOCK, OR INJURY TO PERSONS

WARNING – When using the product, basic precautions should always be followed, including the following:

- Read all the instructions before using the product.
- To reduce the risk of injury, close supervision is necessary when the product is used near children.
- Do not put fingers or foreign objects into the product's ports.
- Use of an attachment not recommended or sold by the manufacturer may result in a risk of fire, electric shock, or injury to persons.
- Do not move the product during operation to avoid poor connections.
- Do not expose the battery to high temperatures, as this may cause an explosion or leakage of flammable liquids or gases.
- Do not use the product in the rain or high humidity environments.
- Do not use a battery pack or appliance that is damaged or modified. Damaged or modified batteries may exhibit unpredictable behavior resulting in fire, explosion, or risk of injury.
- Handle the product with caution in low air pressure environments to prevent explosions or leaks.
- Charge the product in a well-ventilated area.
- Under abusive conditions, liquid may be ejected from the product's battery; avoid contact. If contact accidentally occurs, flush with water. If liquid contacts eyes, additionally seek medical help. Battery liquid may cause irritation or burns.
- In case of fire, use a dry powder fire extinguisher appropriate for the product.
- Never dispose of the product's battery in fire, hot ovens, or by cutting it.
- Do not operate the product with a damaged cord, plug, or output cable.
- To reduce the risk of damage to the electric plug and cord, pull the plug rather than the cord when disconnecting the product.
- Do not disassemble the product; take it to a qualified service person if service or repair is required. Incorrect reassembly may result in a risk of fire or electric shock.
- Unplug the product before any servicing to prevent electric shock.
- **WARNING** – RISK OF EXPLOSIVE GASES. Follow these instructions and those published by manufacturer of any equipment you intend to use in vicinity of the product to reduce risk of battery explosion.

- **WARNING** – RISK OF ELECTRIC SHOCK. Never use the product to power tools to cut or access live parts, wirings or materials containing them, such as building walls.
- Have servicing performed by a qualified repair person using only identical replacement parts. This will ensure that the safety of the product is maintained.
-   The symbols on the unit and its accessories are intended to remind you to read the instructions in the literature accompanying the product before operation and maintenance.
- The socket-outlet should be installed near the product and easily accessible for safety purposes.
- **ATTENTION:** The output from the USB-C ports and the cigarette lighter port is classified as PS3 under the IEC 62368-1 standard. To reduce the risk of fire, it is recommended to use protective measures, such as a fire enclosure, for any connected equipment or accessories.
- Use the telescopic handle for transport only. Retract it fully after use.

Attention



Not permitted on aircraft.

Disposal and Recycling

1. Take old electronic components and batteries to designated recycling centers. This prevents improper disposal and supports material recovery.
2. If possible, fully discharge the batteries and then place them in designated battery recycling boxes. The batteries in this product contain hazardous chemicals. Do not dispose of them with regular household waste. Please follow local laws and regulations for proper battery disposal.
3. If a battery cannot fully discharge due to product malfunction, do not place it in the battery recycling box. Instead, contact a professional battery recycling organization for safe handling.
4. Attention should be drawn to environmental aspects of battery disposal.

Handling Requirements

During transportation or storage, take care to avoid dropping, violently impacting, or tilting the product as it may result in internal damage. If necessary, use mechanical assistance such as carts or adjustable height workbenches to ensure safe handling.

Recommended Number of People Based on the Weight of Product

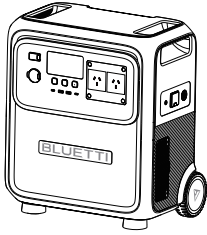
Weight	Number of people
< 18 kg/39.7 lbs	1
18 kg–32 kg/39.7 lbs–70.5 lbs	2
32 kg–55 kg/70.5 lbs–121.3 lbs	3
> 55 kg/121.3 lbs	4 or a cart

Grounding Instructions (For AC charging only)

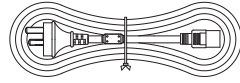
- This product must be grounded when connected to the grid. If it should malfunction or break down, grounding provides a path of least resistance for electric current to reduce the risk of electric shock.
- The product is equipped with an AC charging cable that has a grounding conductor and plug. The plug must be plugged into an appropriate outlet that is properly installed and grounded in accordance with all local codes and ordinances.
- **WARNING** – Improper connection of the grounding conductor can result in a risk of electric shock. Check with a qualified electrician if you're in doubt as to whether the product is properly grounded. Don't modify the plug provided with the product — if it'll not fit the outlet, have a proper outlet installed by a qualified electrician.

SAVE THESE INSTRUCTIONS

2. Packing List



Elite 400
Portable Power Station



AC Charging Cable



Grounding Screw
(M5 × 10 mm)

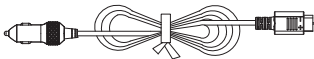


Documents

The following accessories are not included.

You can purchase optional accessories at <https://www.bluettipower.com>

Note: All images are for reference only.



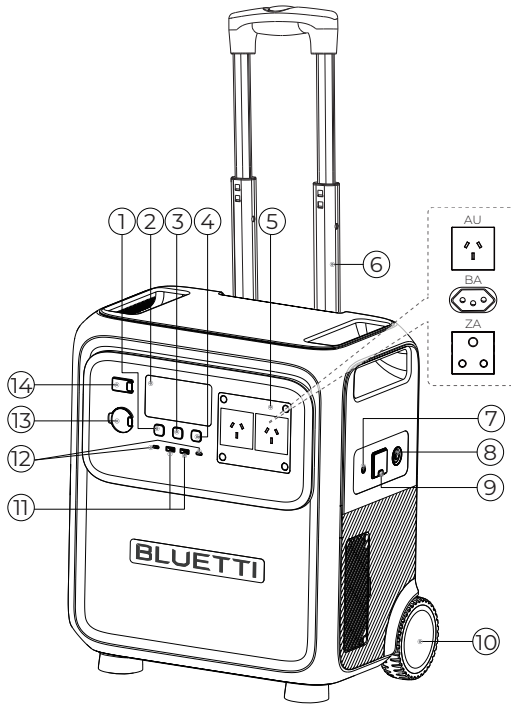
Car Charging Cable
(0.72m/2.36 ft)



Solar Charging Cable
(1.5m/4.92 ft)

3. Get to Know Your Elite 400

3.1 Overview



① DC Power Button

② LCD Display

③ Power Button

④ AC Power Button

⑤ AC Outlet

⑥ Telescopic Handle

⑦ Grounding Terminal*

⑧ Circuit Breaker

⑨ AC Input

⑩ Wheel

⑪ USB-A Ports

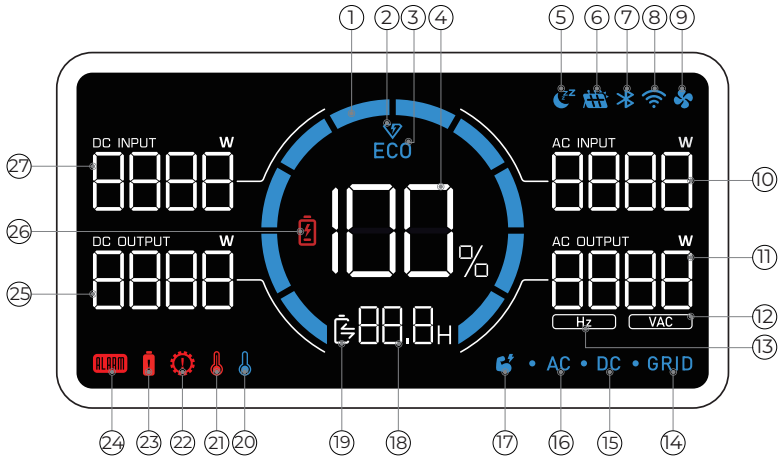
⑫ USB-C Ports

⑬ Cigarette Lighter Port

⑭ DC Input

* Used for grounding when powering certain equipment. For assistance, contact us or seek guidance from the appendix "Grounding Guidelines".

3.2 LCD Display



- | | | |
|-------------------------|----------------------|--------------------|
| ① Progress Bar* | ⑩ AC Input Power | ⑲ Battery Status* |
| ② Turbo Charging | ⑪ AC Output Power | ⑳ Low Temperature |
| ③ ECO Mode | ⑫ Inverter Voltage | ㉑ High Temperature |
| ④ State of Charge (SoC) | ⑬ Inverter Frequency | ㉒ Overload |
| ⑤ Silent Charging | ⑭ AC Input* | ㉓ Overcurrent |
| ⑥ DC Input* | ⑮ DC Output* | ㉔ System Fault |
| ⑦ Bluetooth Connection | ⑯ AC Output* | ㉕ DC Output Power |
| ⑧ Wi-Fi Connection | ⑰ Power Lifting Mode | ㉖ Low Battery* |
| ⑨ Fan* | ⑱ Remaining Time* | ㉗ DC Input Power |

*Progress Bar: Fill up while charging and deplete while discharging.



DC Input: Charges from solar panels, cars, or lead-acid batteries.

Fan: Flashing for abnormal fan operation.

AC Input: Charges from a wall outlet or generator.

DC/AC Output: Output is active.

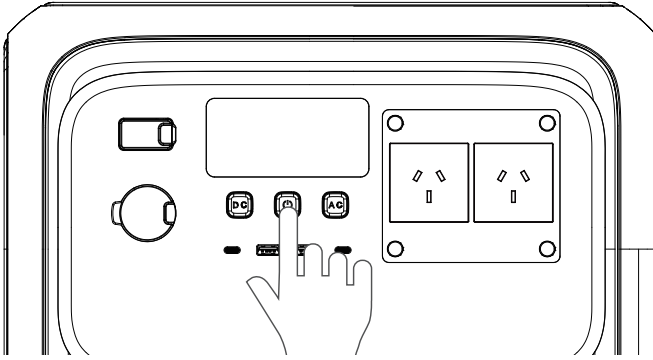
Remaining Time: Remaining charging or discharging time.

Battery Status:  for charging,  for discharging.

Low Battery: SoC below 5%. CHARGE THE UNIT IN TIME.

4. Use Your Elite 400

4.1 Power On/Off



Power On

Press the power button; the lit button indicates that the Elite 400 is on standby.

Power Off

Long press the power button for about 2 seconds to turn off the unit.

AC On/Off

Press AC power button when Elite 400 is on.

DC On/Off

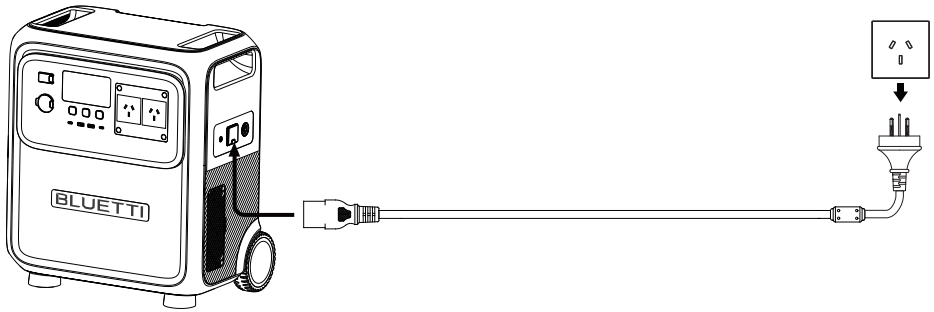
Press DC power button when Elite 400 is on.

Note: When Elite 400 is on, press any button to activate the display.

4.2 Charging Options

4.2.1 Wall Outlet

Plug the Elite 400 into a standard wall outlet. It stops charging when fully charged.

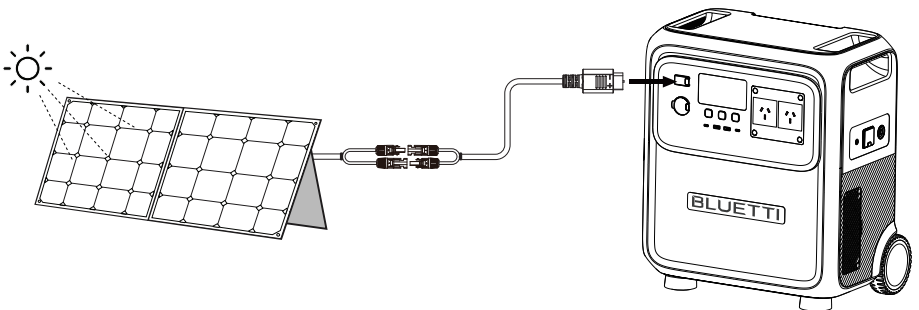


Note: Do not plug the unit's AC charging cable into its own AC outlets. Doing so could damage the connected device.

4.2.2 Solar Panel

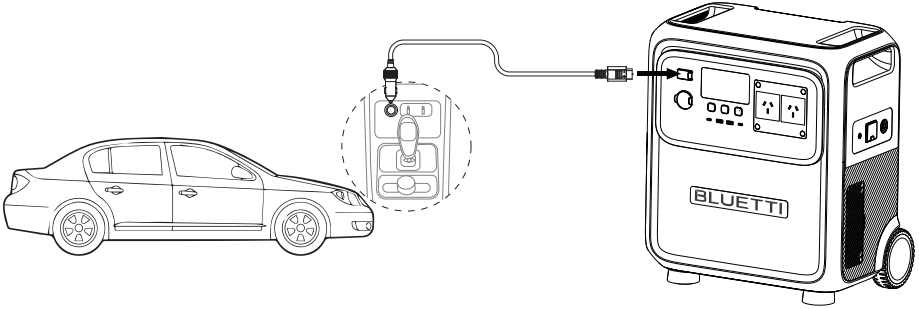
Connect the solar panel(s) either in series or parallel, then use the solar charging cable to link them to the Elite 400.

Note: Make sure the solar panel(s) meet the following requirements:
Voc: 12 V–60 V Current: 20 A Max. Power: 1,000 W Max.



4.2.3 Car (12 V/24 V)

Connect the Elite 400 to your car's 12 V or 24 V cigarette lighter port or socket using the car charging cable.



Notes:

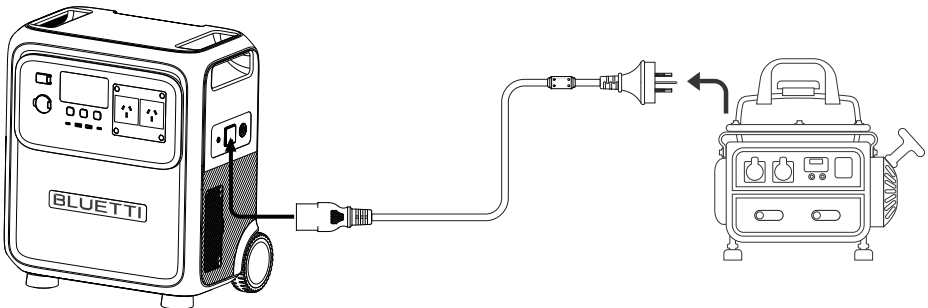
- Make sure your car has power and the engine is running while charging.
- Avoid over-discharging the car's battery.

4.2.4 Generator

Connect the Elite 400 to a generator using the AC charging cable. The charging stops automatically when fully charged.

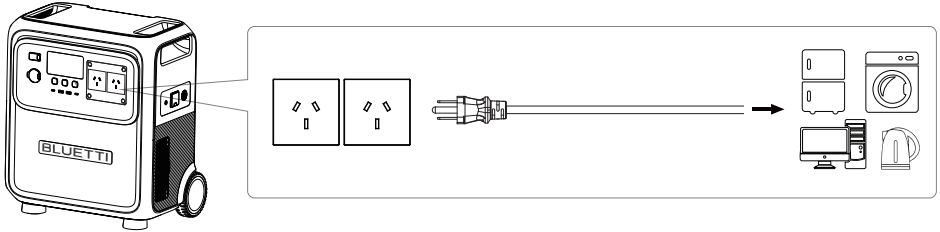
Notes:

- Use a generator with a pure sine wave output that matches the required voltage and frequency, and meets or exceeds the Elite 400's input power needs.
- It's recommended to enable **Grid Self-Adaption** mode when charging with a generator.



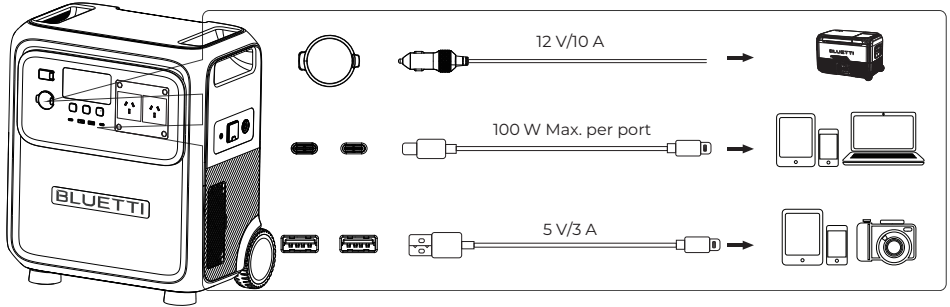
4.3 Power Your Devices

AC Outlets



Note: When servicing devices connected to the unit, make sure to unplug them from the outlets. Even if the AC output is turned off, physically unplugging the devices is necessary for complete disconnection.

DC Outlets

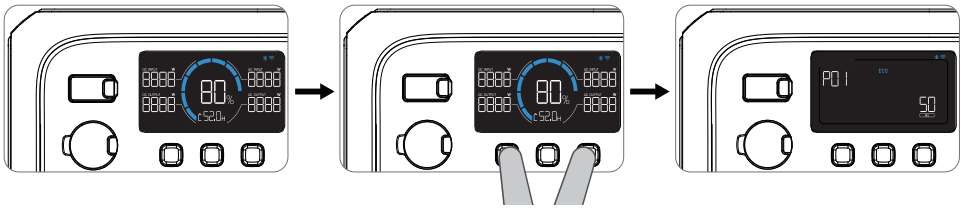


5. Configure Your Elite 400

The Elite 400 can be configured using either the device's buttons or the BLUETTI app. For advanced settings, such as enabling Grid Self-Adaption mode or configuring ECO mode, use the BLUETTI app. Refer to the app manual for more details.

5.1 Settings Mode

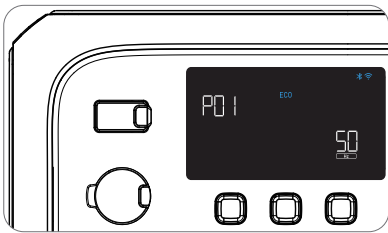
Enter the Mode: Press and hold the AC and DC power buttons simultaneously for about 2 seconds. The frequency icon flashes.



Exit the Mode: Press and hold both the AC and DC power buttons again. If left idle for 1 minute, the Elite 400 automatically exits without saving any changes.

Adjust settings in Settings Mode.

- Turn off the AC power first.
- Press the DC power button to navigate through the items, and press the AC power button to adjust.



Page Code	Setting
P01	Frequency
P03	AC Charging Mode
P04	Power Lifting Mode
P05	ECO Mode
P06	Bluetooth
P07	Wi-Fi

5.2 AC Charging Mode

The Elite 400 offers three AC charging modes: Standard (default), Turbo, and Silent.

Mode		AC Input (Max.)	Solar Input (Max.)	AC + Solar Input (Max.)	AC Charging Time (Estimated)
Standard		1,200 W	1,000 W	2,200 W	3 hrs 35 min
Turbo	US	1,800 W	1,000 W	2,800 W	80% in 1 hrs 55 min
	JP	1,500 W	1,000 W	2,500 W	80% in 2 hrs 13 min
	EU/AU/UK	2,300 W	1,000 W	3,300 W	80% in 1 hrs 28 min
	CN	2,200 W	1,000 W	3,200 W	80% in 1 hrs 30 min
Silent		1,000 W	1,000 W	2,000 W	3 hrs 52 min

5.3 Power Lifting Mode

Power Lifting mode is disabled by default. It allows Elite 400 to power up to 3,900 W pure resistive loads like electric kettles, blankets, hair dryers, and similar heating devices.

Note: This mode is only for pure resistive loads rated 2,600 W–3,900 W. While the Elite 400 can handle such loads, its actual output power is still 2,600 W.

5.4 ECO Mode

AC-ECO and DC-ECO modes are disabled by default. When ECO modes are turned on, please be cautious that the Elite 400 will shut off the AC or DC output after a period of low or no load.

Set the auto shutdown power threshold and auto-off time via the app.

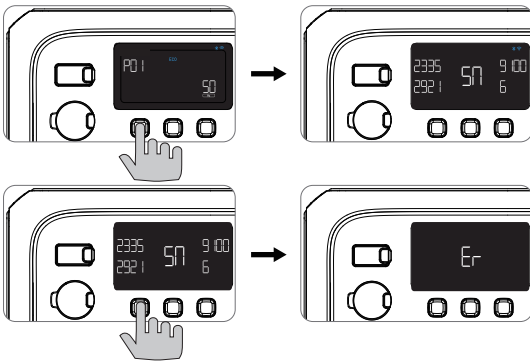
Notes:

- Both AC-ECO and DC-ECO modes are unavailable when charging with AC power.
- Press the AC power button to turn on/off AC-ECO and DC-ECO modes together, and use the BLUETTI app to control them separately.
- Disable the ECO mode when connecting small devices or critical appliances such as lights and refrigerators.

6. View Device Information

View device information in Settings Mode, too.

- Go to the P01 frequency page and long press the DC power button to view the unit's SN. Press the DC power button again to navigate through other information.
- When on Fault History page, long press the AC power button for about 2 seconds, then release to clear the history.



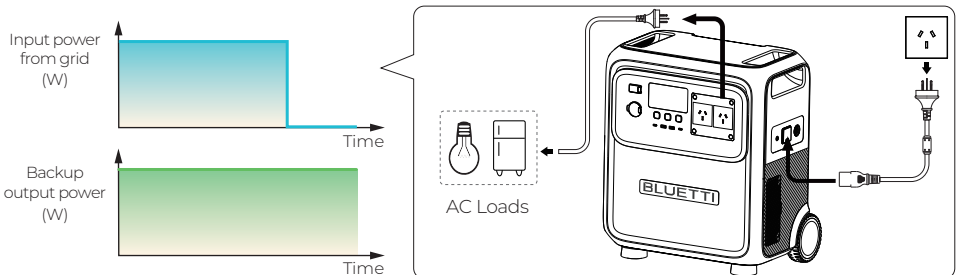
Page Code	Information
57	Serial Number (SN)
E-	Error Code
HI	Fault History
WE	Version

7. UPS Feature

Connect Elite 400 to the wall, and it directly draws power from the outlet to operate connected devices. It swiftly switches to battery power during an outage. Set UPS modes in the app.

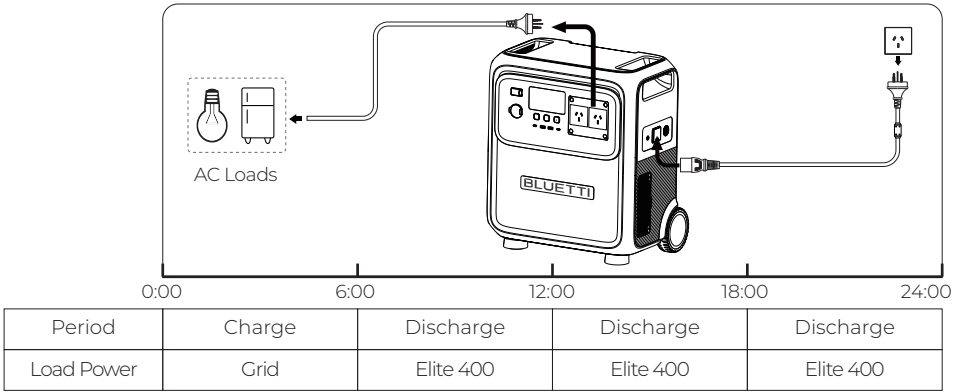
• Standard

The Elite 400 charges fully using a combination of solar and grid power, prioritizing solar when available. When the grid is active, it directly powers your devices. If the grid goes out, the Elite 400 seamlessly takes over.



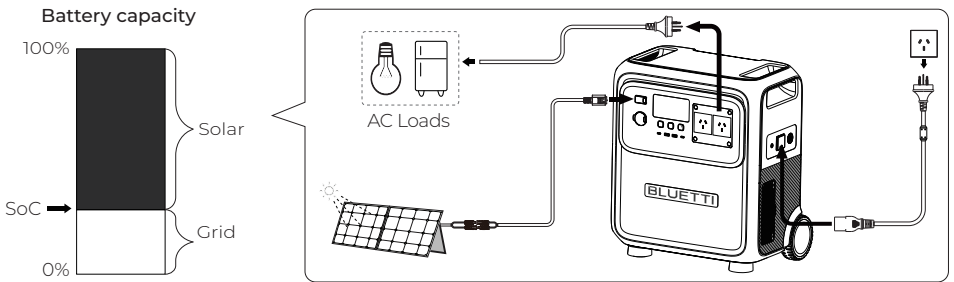
• Time Control

Save costs by scheduling Elite 400 to charge during off-peak hours and power devices during peak hours.



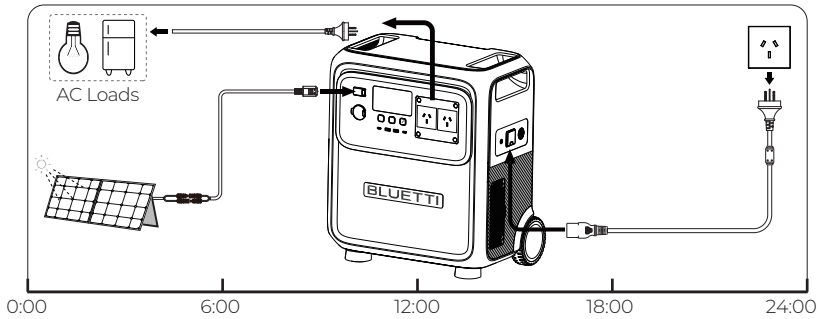
• PV Priority

Efficiently uses solar energy. Elite 400 initially charges from the grid to a set SoC and seamlessly switches to solar replenishment.



• **Customized**

Personalize charging/discharging schedule, set battery SoC limits, and control the schedule and grid input switches.

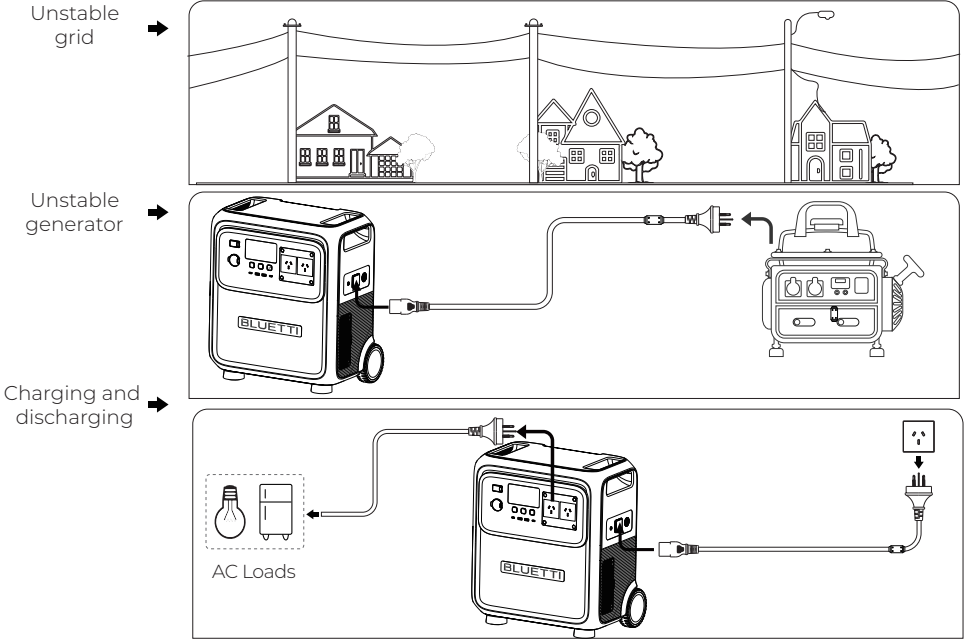


Period	Charge	Discharge	Discharge	Discharge
Load Power	Grid	Elite 400	Elite 400	Elite 400

Note: Not for devices like data servers or workstations that require high-performance UPS. BLUETTI assumes no liability for issues arising from violating this restriction.

8. Grid Self-Adaption Mode

When charging with an unstable generator or grid power, or if consumption power exceeds charging power, enable this mode in the app. The Elite 400 automatically adjusts to handle power fluctuations, protecting the unit and connected devices from potential issues due to variations in power quality.



9. Maintenance and Care

- When the SoC drops to 5%, charge the unit in time.
- Before storing, charge to 40%–60% SoC, then power off and disconnect all cables.
- Store it in a cool, dry place, away from flammable materials.
- Safe storage temperature: -20°C to 45°C (-4°F to 113°F). For storage over a month, keep it at 10°C to 30°C (50°F to 86°F).
- Fully cycle every 3 months to maintain battery health.
- Avoid extended storage; it may impact performance and lifespan.

If SoC drops to 0 during storage or startup:

- Shut down immediately.
- Charge within 48 hours.
- Keep it at 5°C to 35°C (41°F to 95°F) for 6 hours before charging.
- Recommended to charge via an AC source; if using solar energy, ensure an input of over 100 W.

10. System Switch Recovery

When the battery runs out and the unit shuts down, it saves the ON/OFF status of the AC and DC power buttons.

- If connected to grid power, the saved settings will automatically restore when the battery reaches 5%.
- If not connected to grid power, the settings will only restore if the battery reaches 5% and at least 30 minutes have passed since the unit turned off.

For example, in standard UPS mode, if a refrigerator is plugged into the AC outlet of the Elite 400 and the grid power goes out, the unit will provide immediate backup power. If the battery depletes, the unit will shut off but retain the AC output status as ON. When grid power returns and the battery is above 5%, the unit will automatically turn the AC output back ON to continue powering the refrigerator.

Notes:

- During recovery, the AC and DC output settings can be adjusted via the app.
- To restore power immediately, turn off this feature.

11. Specifications

Model	Elite 400
Battery Capacity	3,840 Wh (100 Ah)
Battery Type	LiFePO ₄
Weight	About 39 kg/85.98 lbs
Dimensions (L × W × H)	427 × 286 × 490 mm (16.8 × 11.3 × 19.3 in)
Charging Temperature	0°C to 40°C/32°F to 104°F
Discharging Temperature	-20°C to 40°C/-4°F to 104°F
Operating Humidity	10% to 90%
AC Output (Discharging/Bypass)	US: 2,600 W Max., 120 V, 50/60 Hz
	JP: 2,200 W Max., 100 V, 50/60 Hz
	EU/UK/AU: 2,600 W Max., 230 V, 50/60 Hz
DC Output	
2 × USB-A	5 V $\overline{=}$ 3 A, 15 W Max. each, 30 W total
2 × USB-C PD 3.0/QC 3.0	100 W Max., 5/9/12/15 V $\overline{=}$ 3 A, 20 V $\overline{=}$ 5 A
1 × Cigarette Lighter Port	120 W Max., 12 V $\overline{=}$ 10 A
AC Input (Charging/with Bypass)	US: 1,800 W Max., 120 V, 50/60 Hz
	JP: 1,500 W Max., 100 V, 50/60 Hz
	EU/UK/AU: 2,300 W Max., 230 V, 50/60 Hz
DC Input (XT60-F)	1,000 W Max., 12 V to 60 V, 20 A Max.
AC + DC Input	US: 2,800 W Max.
	JP: 2,500 W Max.
	EU/UK/AU: 3,300 W Max.
Communication	Wi-Fi (2.4GHz)/Bluetooth (BLE5.0)
Operating Altitude	≤ 2,000 m/6,561.68 ft
Protection Rating	IP20
Uninterruptible Power Supply (UPS)	
Switchover Time	15 ms

12. Troubleshooting & FAQs

On the Error Code page, the **Er** and error code appear simultaneously on the screen. Check the app for error details and recommended solutions. If the issue persists, stop using the product immediately and contact BLUETTI support for assistance.

FAQs (Frequently Asked Questions)

Q1: How do I know whether my devices will work with this product?

A: Keep the total power below 2,600 W. Some devices with motors or compressors may start at 2–4 times their rated power, which could easily overload the Elite 400.

Q2: Can I use third-party solar panels to charge this product?

A: Yes, you can use third-party solar panels with an open circuit voltage of 12 V–60 V and MC4 connectors. Avoid mixing different types of solar panels.

Q3: Can it charge and discharge at the same time?

A: Yes, the Elite 400 supports pass-through charging.

Q4: Why is the charging power often too low?

A: The built-in BMS adjusts the charging power based on battery temperature and SoC to protect the battery and extend its life.

Q5: How to calculate the operation time?

A: Runtime = Battery Capacity × DoD × η ÷ (Load + Elite 400 Self-consumption)

Note: DoD (Depth of Discharge) is 95%. η (inverter efficiency) is over 92%. Elite 400 self-consumption is about 15 W.

Appendix

Update Firmware via BLUETTI App

Keeping firmware updated is IMPORTANT for optimal performance. For detailed instructions, refer to the app user manual in the app. This manual uses the Elite 200 V2 upgrade as an example.

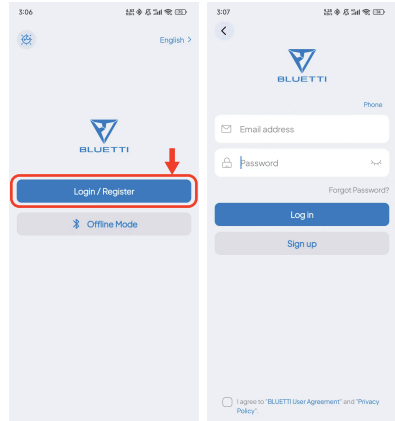
1. Download the BLUETTI app

Scan the QR code or search for "BLUETTI" in the App Store or Google Play to download the app.



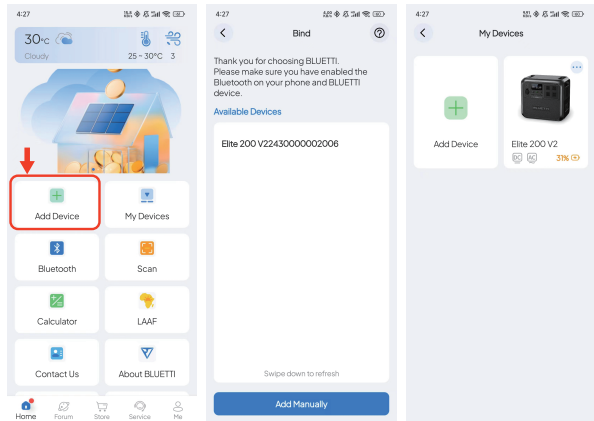
2. Log in or sign up

Log in with a BLUETTI account. If there is no account, create one by following the on-screen instructions.



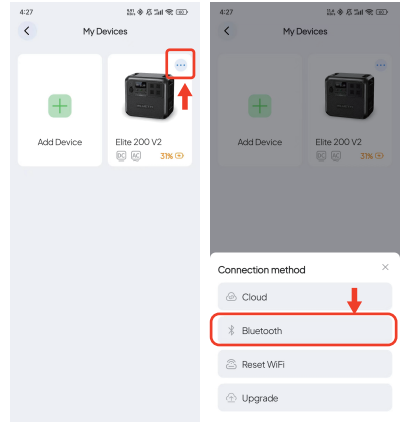
3. Bind the unit

- Tap Add Device directly or access My Devices > Add Device to start the process.
- Select the unit from the available device list, or choose Add Manually and enter the unit's serial number (SN).
- Alternatively, tap Scan on the Home page or in Add Device page to bind via QR code.



4. Connect via Bluetooth

On the My Devices page, tap the unit and select Bluetooth as the connection method.

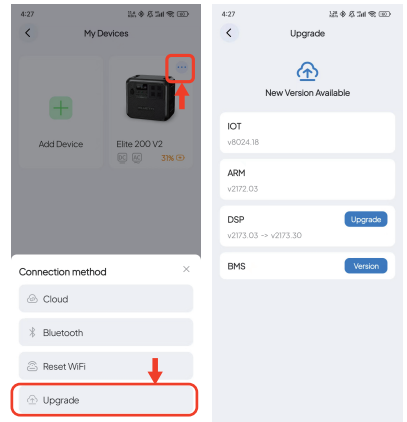


5. Check for Firmware Updates

Tap Upgrade to access the Upgrade page. The app will check for the latest firmware version available for the unit.

6. Download and Install the Update

If a new firmware update is available, tap Upgrade and follow the on-screen instructions.

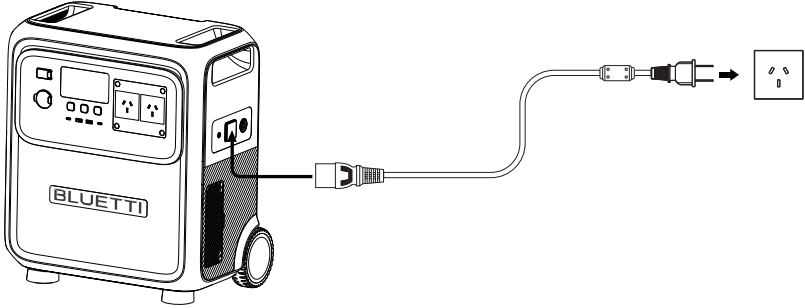


Notes:

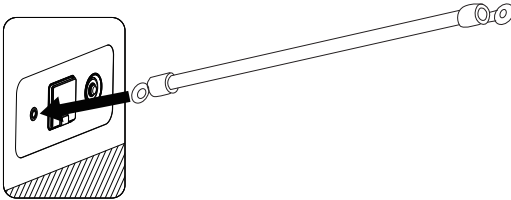
- Ensure the unit remains powered on and connected during the update.
- Keep your phone and the unit close together (recommended range: 5 m/16.4 ft).
- Do not exit app until done.

Grounding Guidelines

Only use the grounding terminal when the product is connected to the home grid using a 2-pin cable, or if the wall outlet's grounding is ineffective, and the connected device features a metal case.



Use a cable with OT terminals for grounding. Connect one end to the grounding terminal with a grounding screw and the other end to the wall outlet or home distribution box ground.



Need Help? We're here for you!

Customer Service(AU)

+61 8 89224712 (Monday to Friday: 9:00 - 12:00, 13:00 - 18:00 AEST)

Email: sale-au@bluettipower.com

Customer Service(ZA)

Email: sale-za@bluettipower.com



@ BLUETTI Official



@ bluetti_australia



@ bluetti.au



@bluetti.inc

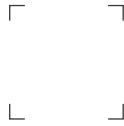
Visit Us

SHENZHEN POWEROAK NEWENER CO., LTD.

Address: F19, BLD No.1, Kaidaer, Tongsha Rd No.168, Xili Street,
Nanshan, Shenzhen, China



BLUETTI



Certificate

Inspector: _____

QC: _____

Always Share Excellence

P/N: 17.0303.1010-01A1