

digitech

Combined Siren & Strobe

Suits wired alarm systems



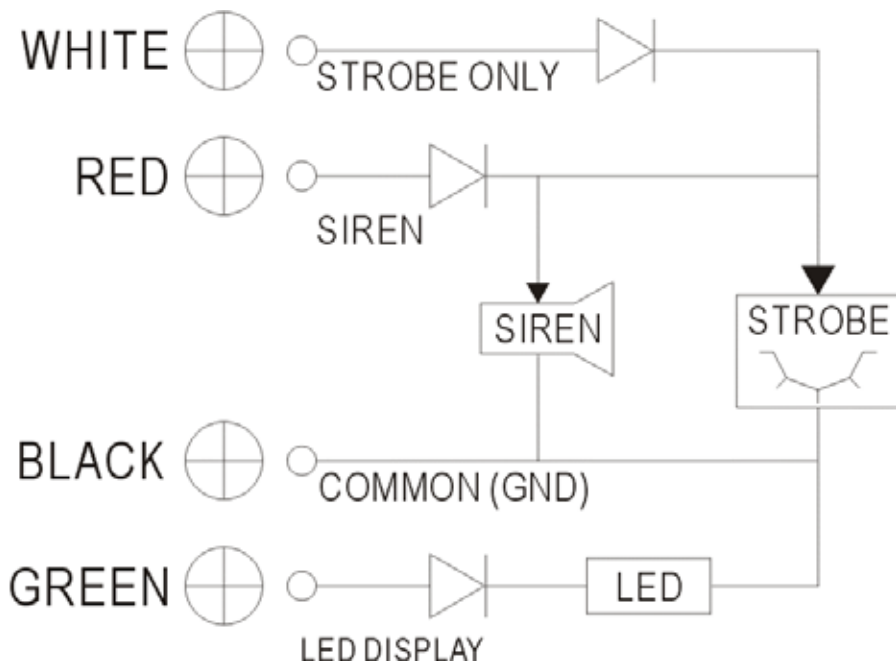
Model:
LA5306

Please read and save all instructions to ensure safe and effective use of this product.

Instruction Manual

FEATURES

- Rain proof, dual strobes
- Hi-impact, polycarbonate housing
- Reverse polarity protection



SPECIFICATIONS

Power supply:	DC 6-15V
Power consumption:	200mA
Siren output:	120dB
Colour:	Ivory + Blue lens
Strobe or siren with strobe	
Dimensions:	120(L)x74(W)x42(T)mm

WARRANTY INFORMATION

Our product is guaranteed to be free from manufacturing defects for a period of 12 Months.

If your product becomes defective during this period, Electus Distribution will repair, replace, or refund where a product is faulty; or not fit for intended purpose.

This warranty will not cover modified product; misuse or abuse of the product contrary to user instructions or packaging label; change of mind and normal wear and tear.

Our goods come with guarantees that cannot be excluded under the Australian Consumer Law. You are entitled to a replacement or refund for a major failure and for compensation for any other reasonably foreseeable loss or damage. You are also entitled to have the goods repaired or replaced if the goods fail to be of acceptable quality and failure does not amount to a major failure.

To claim warranty, please contact the place of purchase. You will need to show receipt or other proof of purchase. Additional information may be required to process your claim.

Any expenses relating to the return of your product to the store will normally have to be paid by you.

The benefits to the customer given by this warranty are in addition to other rights and remedies of the Australian Consumer Law in relation to the goods or services to which this warranty relates.

This warranty is provided by:

Electus Distribution

Address 46 Eastern Creek Drive, Eastern Creek NSW 2766

Ph. 1300 738 555