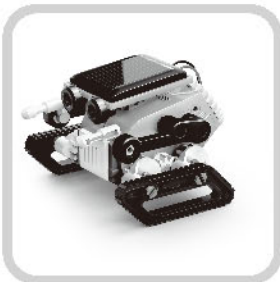




SOLAR
8 in 1
**EDUCATIONAL
ROBOT KIT**



Assembly & Instruction
Manual

CONTENTS

Product Introduction	1
Tools You May Need	1
Mechanical Parts List	1
Plastic Parts	2
Read It Before Assembly	2
Tips: Plastic parts Disassembly	3
Gear Box Module	
Solar Panel Assembly	4
Gear Box Assembly	5
Gear Box Module Testing	6
Module A & B Assembly	6
01 Racer	7
02 Armadillo	10
03 Dino	14
04 Speedy	18
05 Wheel-Bot	22
06 Tank	27
07 Bug	31
08 Drummer	36

Solar 8 in 1- Educational Robot Kit

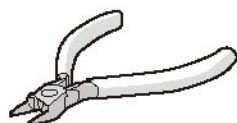
Product Introduction

The kit includes a variety of interesting designs, ranging from cars to animals to a drummer. Each form could be finished quickly by young aged users. Children could quickly enjoy playing and get a sense of achievement. The diversity not only inspires kids but also boosts their creativity; Users can even develop their own designs!

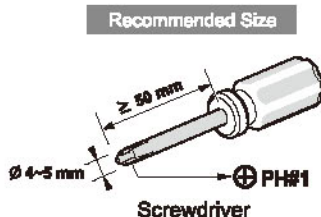
Second, this product's operation mimics actual movements, such as walking, car racing, tumbling and drum playing. The fascinating basics could pique kid's interest in learning mechanics.

Last but not least, the future of solar energy is bright. Take this great opportunity to teach kids about green concept without losing fun. Direct sun can trigger the motor; No batteries required.

Tools You May Need



Diagonal Cutter

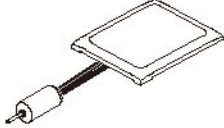




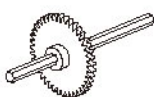


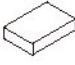


Recommended Size

Screwdriver

Mechanical Parts List

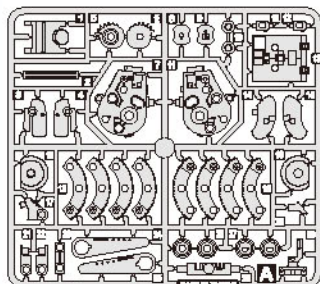
! Product contains functional edges and sharp points.

P1	Solar Panel with Motor	P2	Pinion Gear (Yellow)	P3	Gear (Red)	P4	Gear (Orange)
	1 pc		1 pc		1 pc		1 pc
 Don't connect the wires to the mains.							
P5	Gear With Shaft	P6	Round Shaft	P7	Tapping Screw	P8	Sponge
	1 pc		1 pc		1:1 1 pc		2 pcs

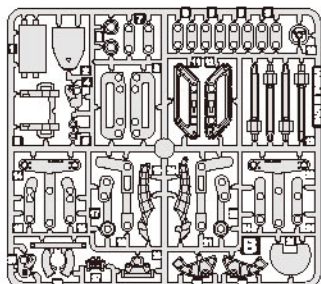
Plastic Parts

! Cut the plastic parts when they are required.
Do not cut them in advance.

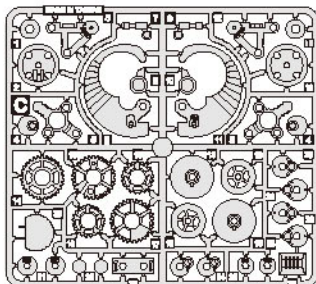
A (Orange)



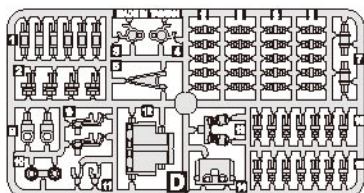
B (Black)



C (White)



D
(Grey)



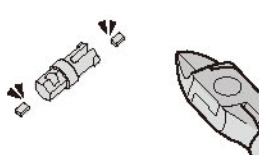
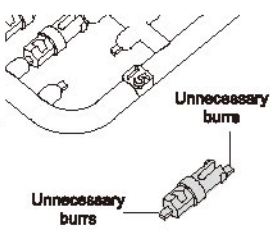
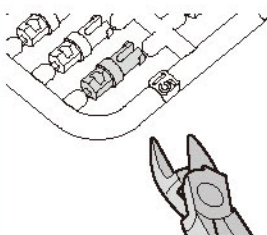
Must-know



Read It Before Assembly

Please read through and follow the tips below before assembly.

Remove burrs



Trim off the burrs **ONLY**. Do not trim off the protrusion belonged to original plastic parts. All features of parts should be kept completely.

Fasten tapping screws



Use corresponding (size-compatible) screwdriver. By following steps below, you can fasten the tapping screws perfectly.

Put the screwdriver towards the top of screws.

- (1) Screw in
- (2) Feel the tension getting higher
- (3) Keep screwing

Repeat until screws are tightly fastened.



Please lock screws all the way down to the bottom. If they are not fastened tightly enough, parts may come off. The product may consequently not work.



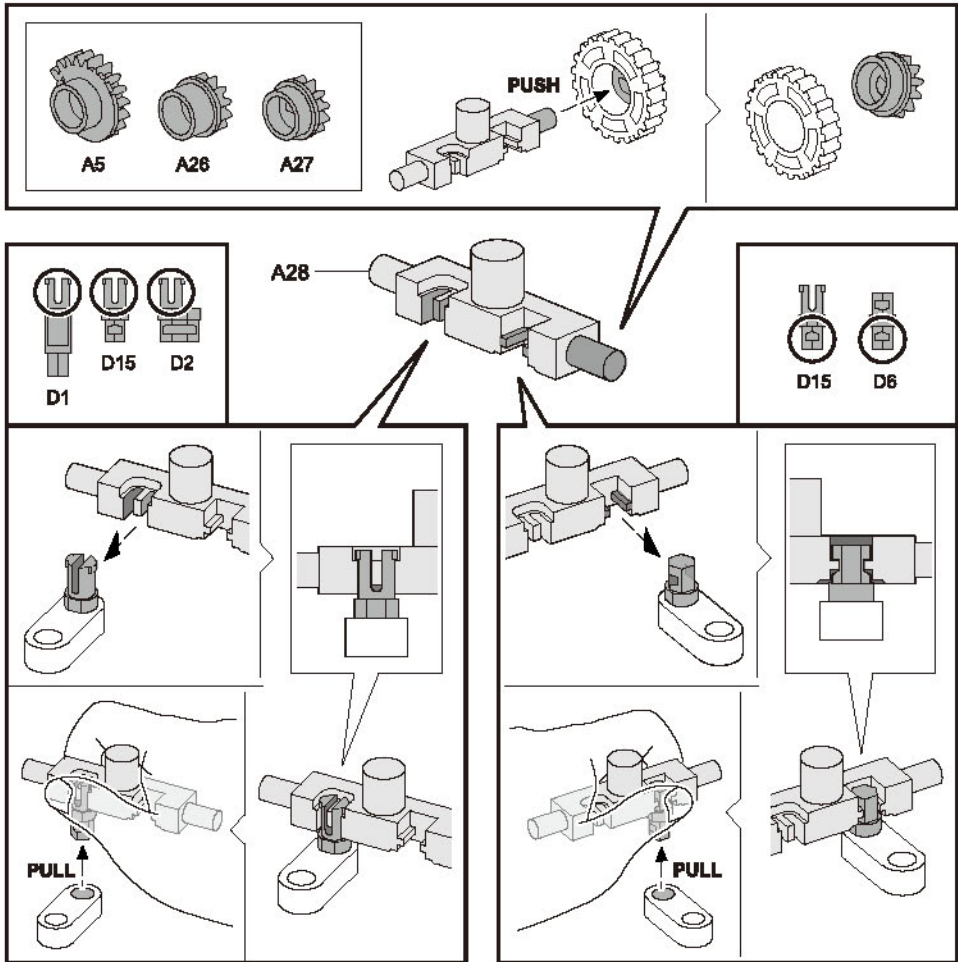
Correct



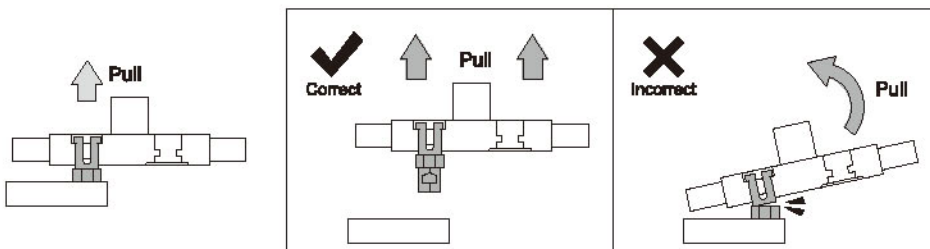
Incorrect

Tips: Plastic parts Disassembly

1. How to use A28 - assistance tool

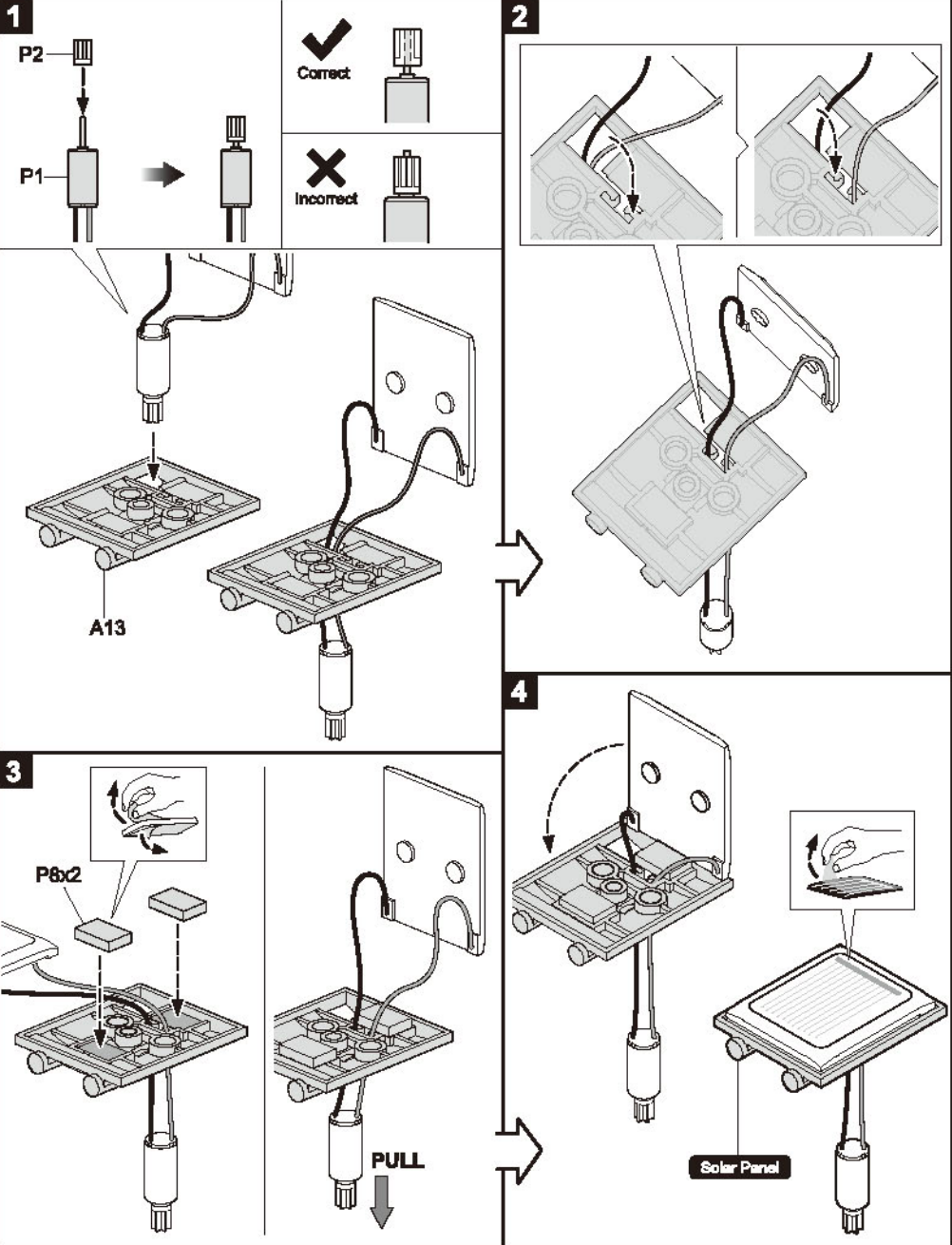


2. Pull and Release the parts



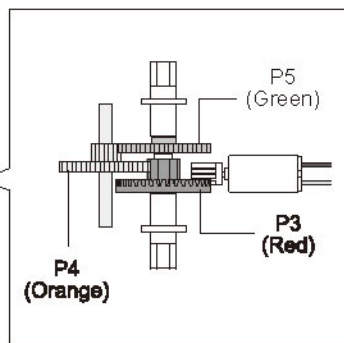
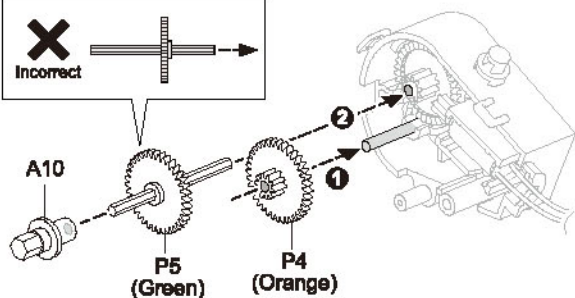
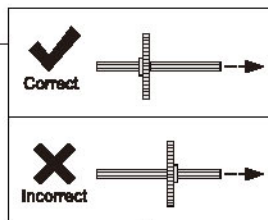
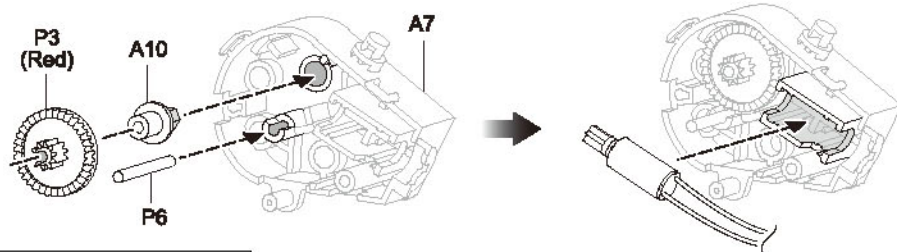
Gear Box Module

Solar Panel Assembly

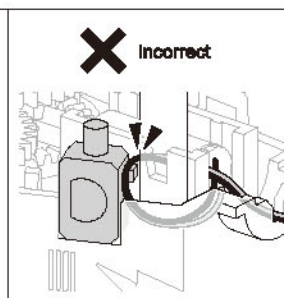
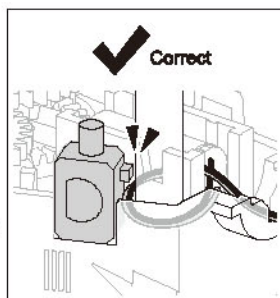
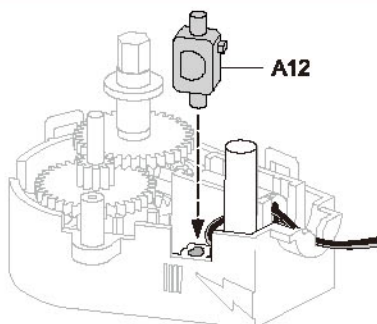
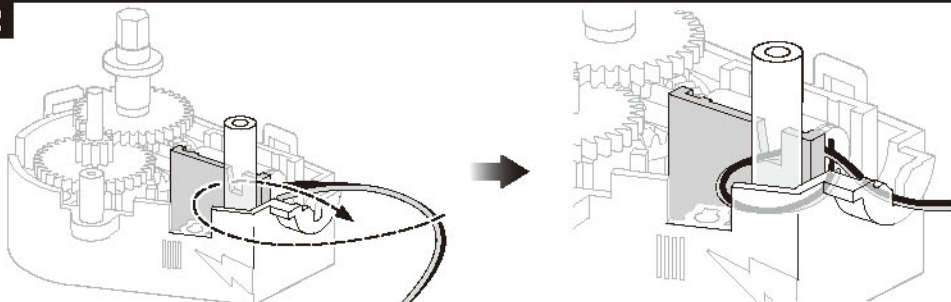


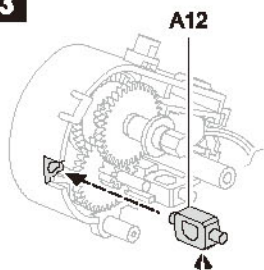
Gear Box Assembly

1

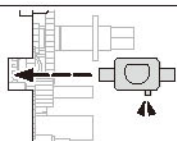


2

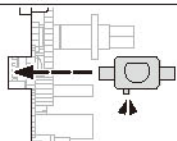
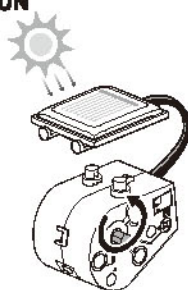
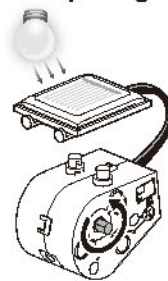


3

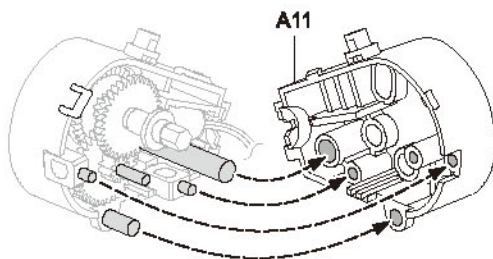
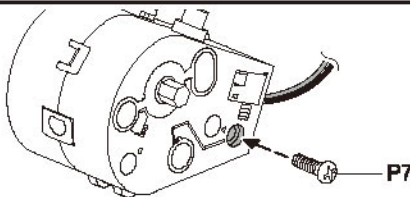
Correct



Incorrect

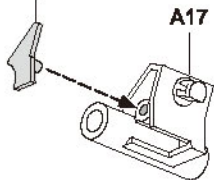
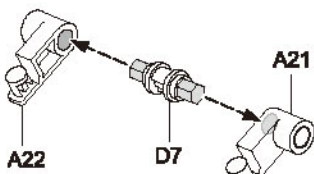
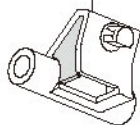
**Gear Box Module Testing****1****SUN****2****50w & up halogen**

If gearbox doesn't work, refer back to page 4 for re-assembly.

4**5****Module A & B Assembly**

A20

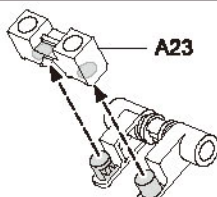
A17

**Module A**

A22

D7

A21



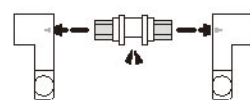
A23



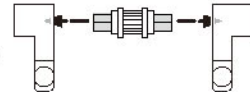
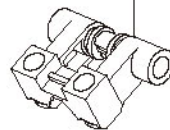
Please make sure the groove side faces down.



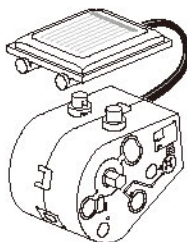
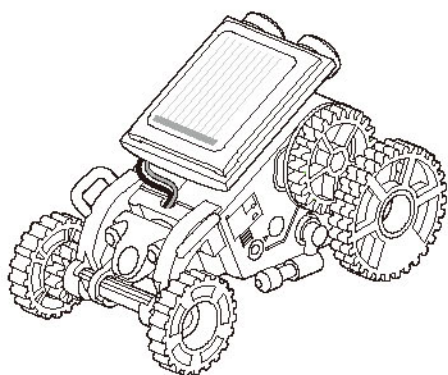
Correct



Incorrect

**Module B**

01. Racer



Gear Box Module



D15x2

1:1



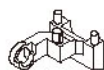
A2



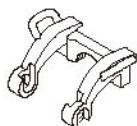
A26x2



A27x2



A29



B3



B6x2



B10



B28



C7



C9



C14



C15



C16x2



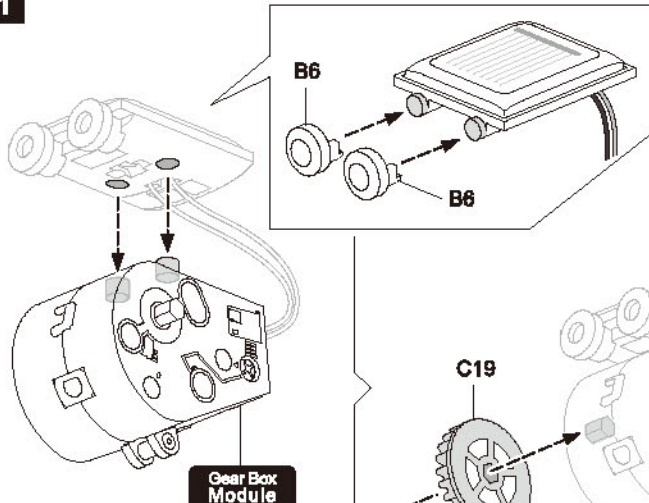
C17



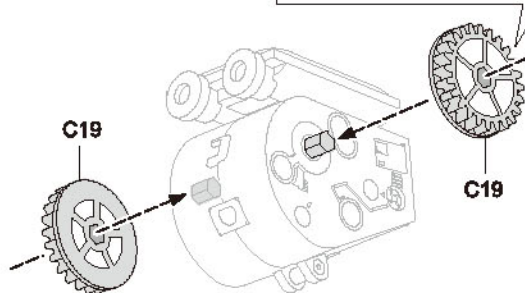
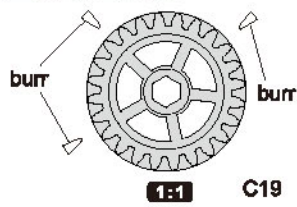
C19x2

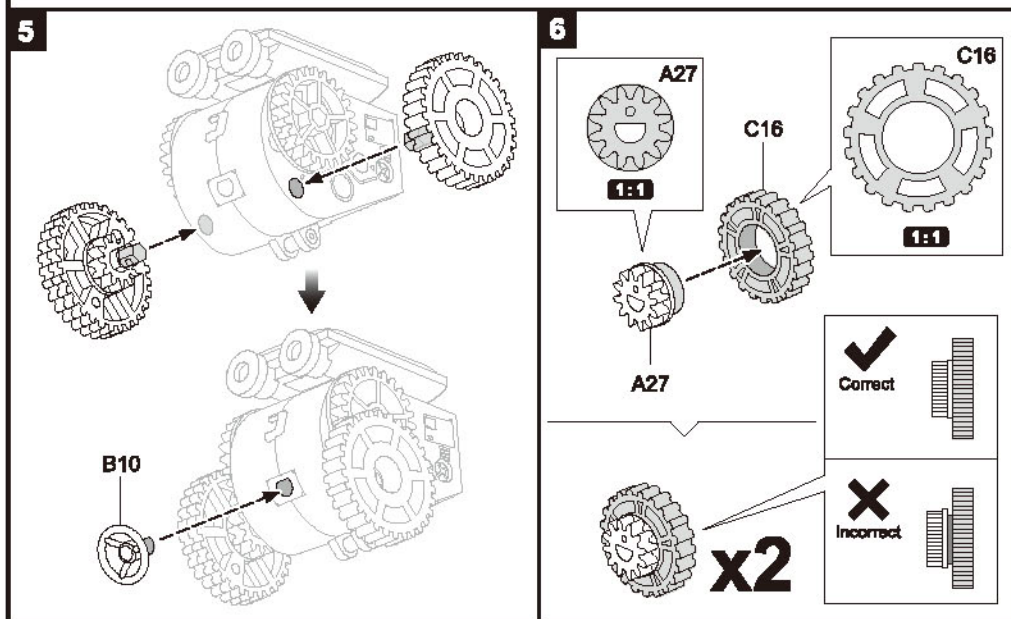
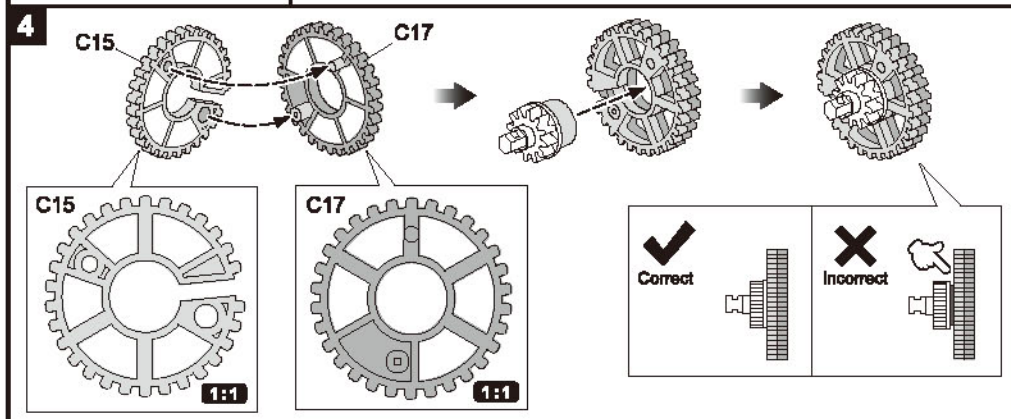
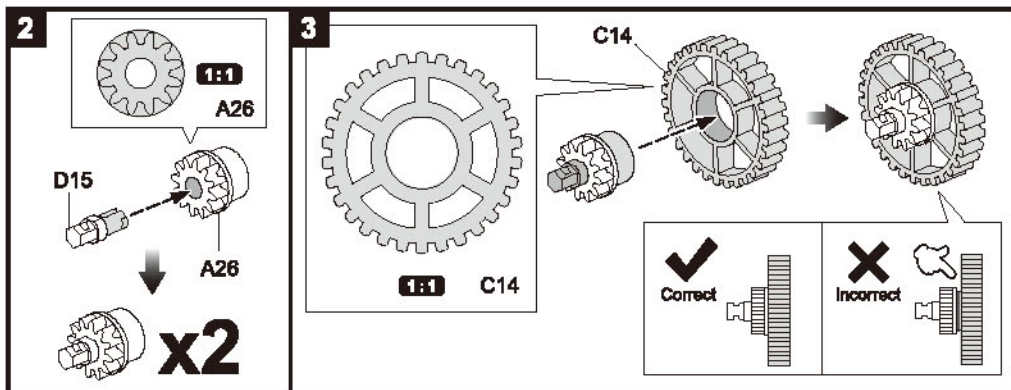
Plastic Part A	Orange
Plastic Part B	Black
Plastic Part C	White
Plastic Part D	Grey

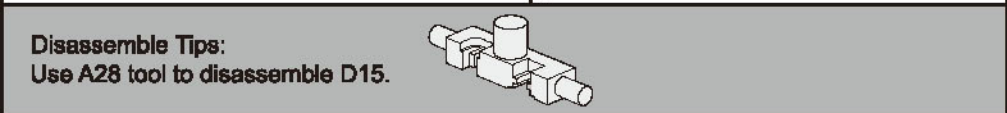
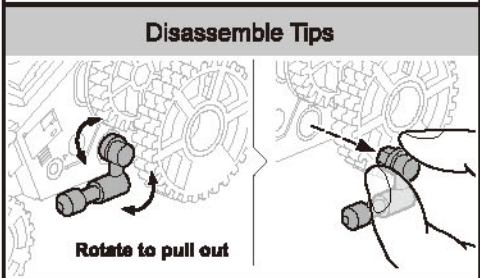
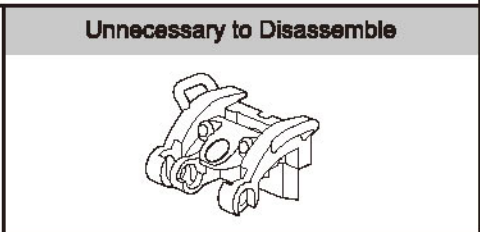
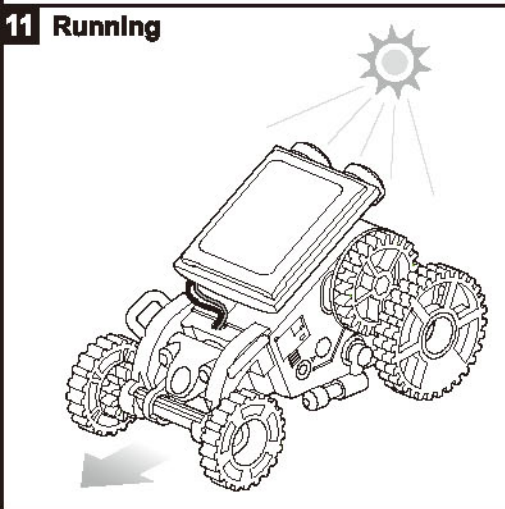
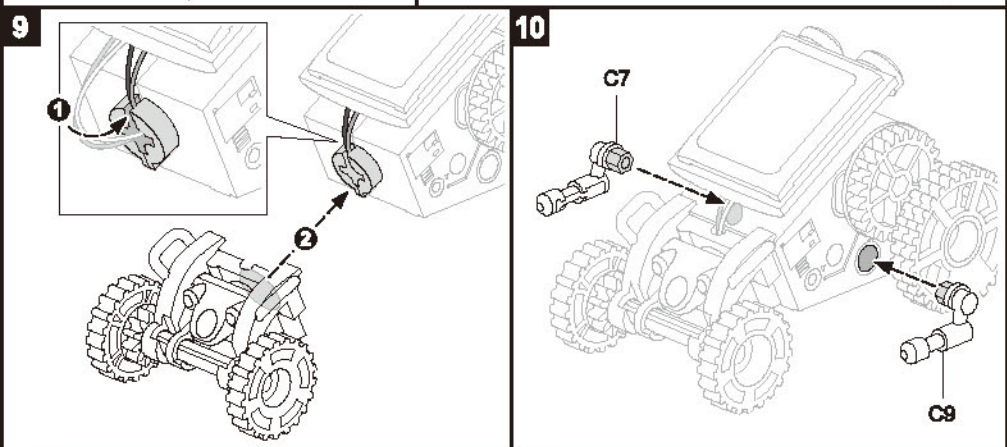
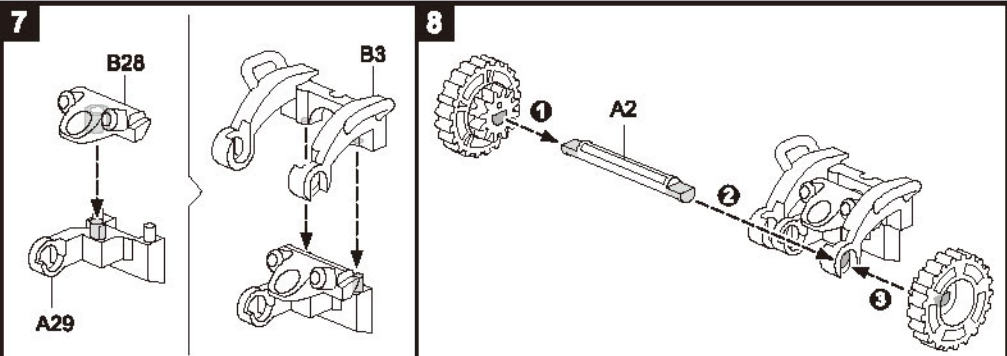
1



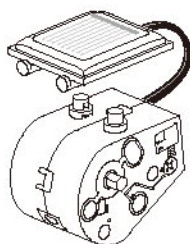
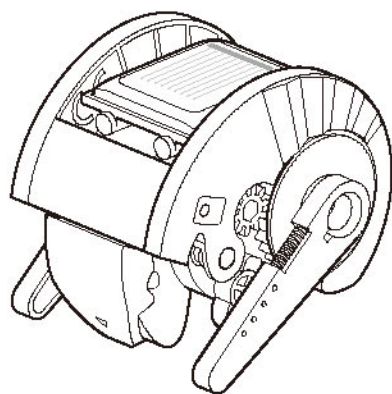
! Cut off the burrs before assembly.



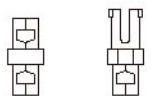




02. Armadillo



Gear Box Module



D6x2

D15x2

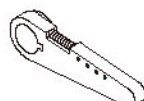
1:1



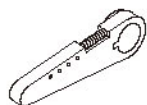
A14



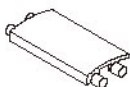
A15



A24



A25



B1



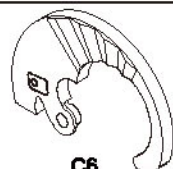
B2



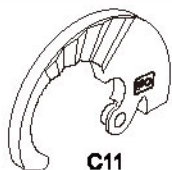
B29



B30



C6



C11



C16x2



C25x2



D3

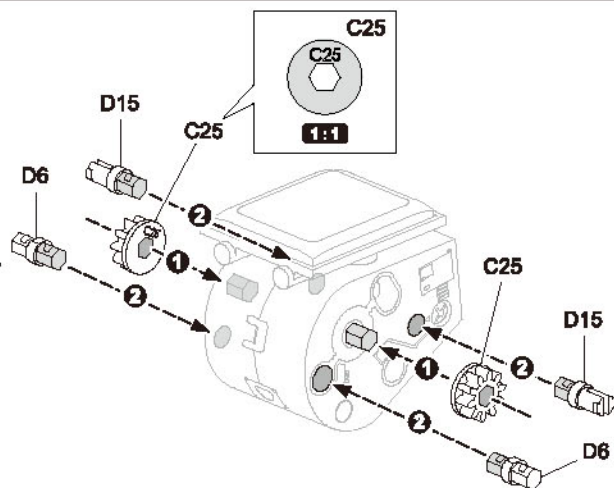
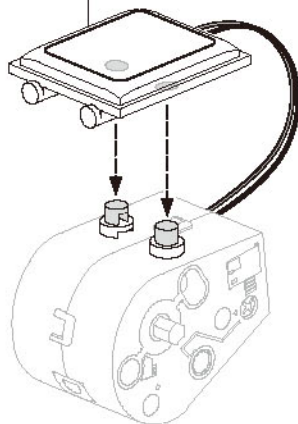


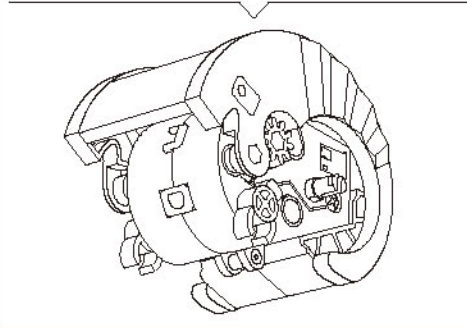
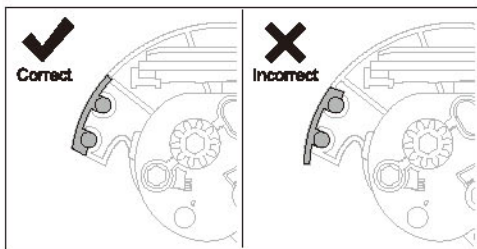
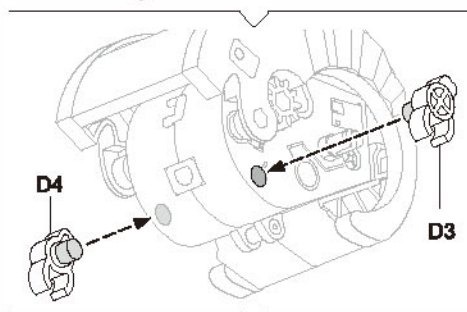
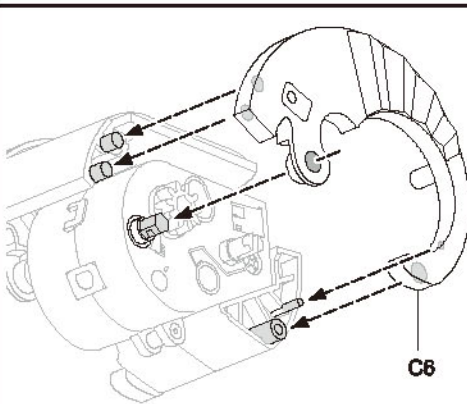
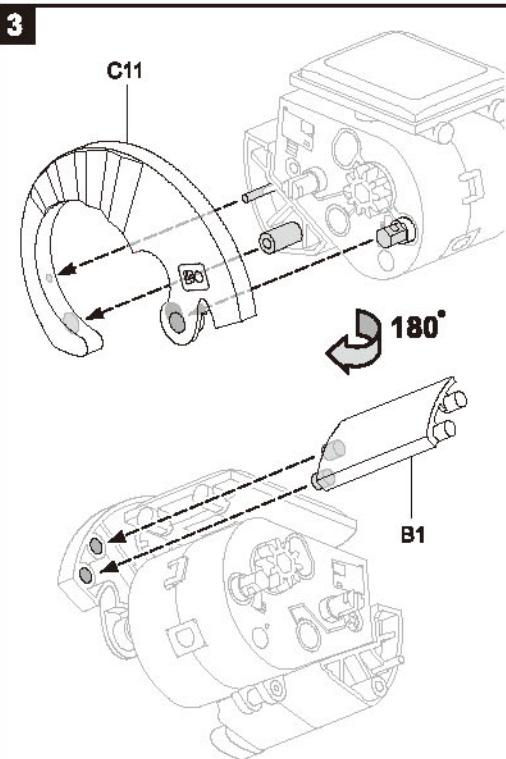
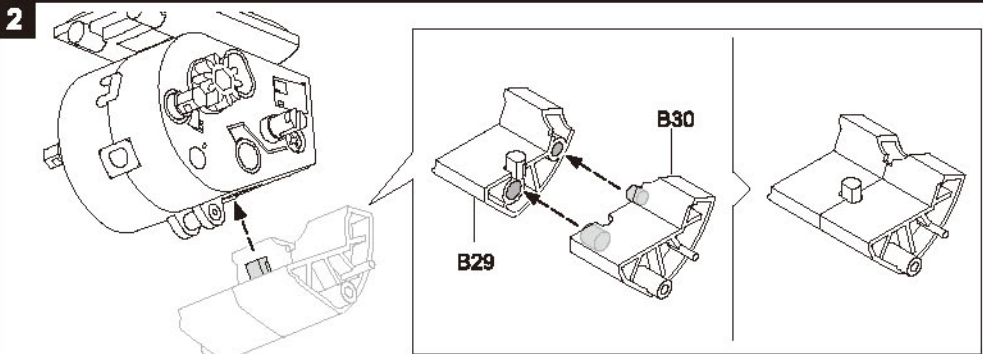
D4

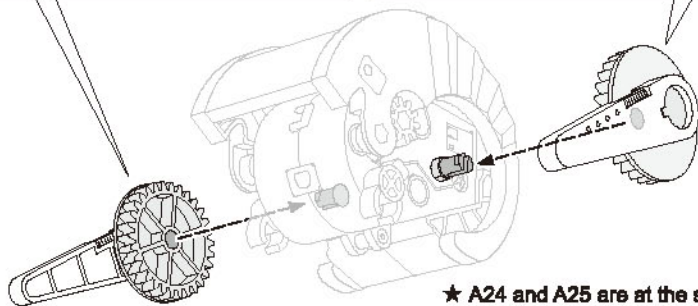
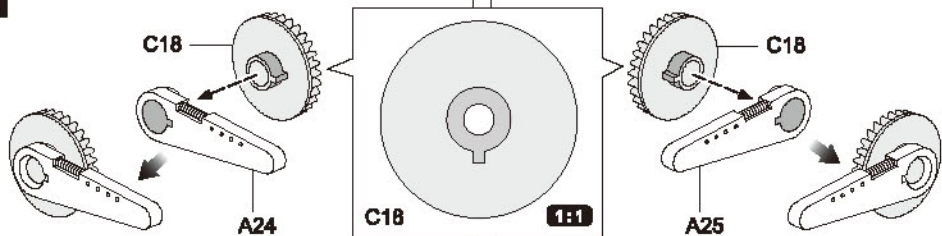
Plastic Part A	Orange
Plastic Part B	Black
Plastic Part C	White
Plastic Part D	Grey

1

Gear Box Module

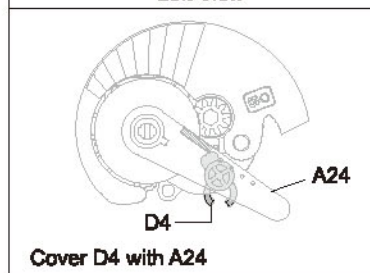




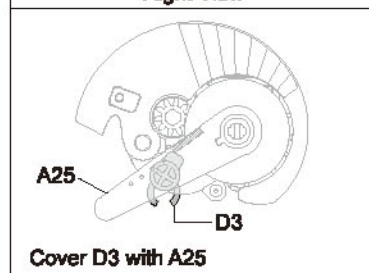
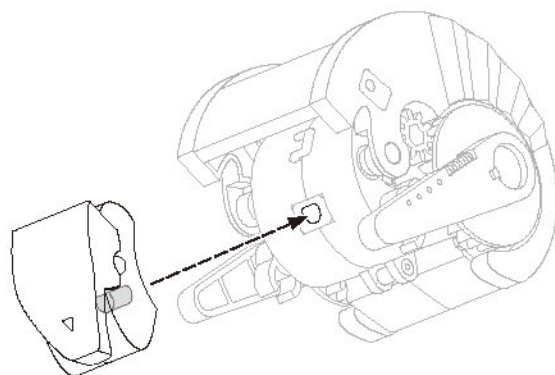
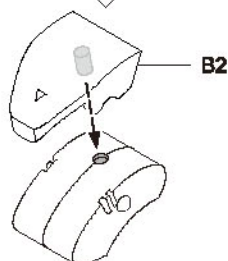
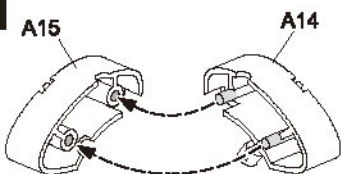
4

★ A24 and A25 are at the same angle for both right and left.

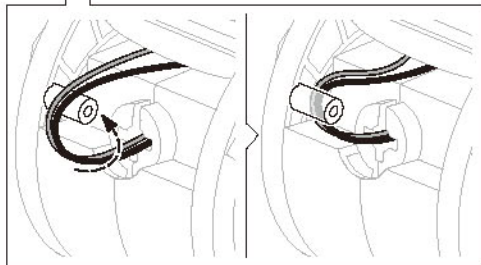
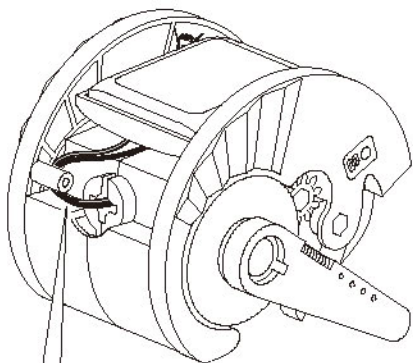
Left View



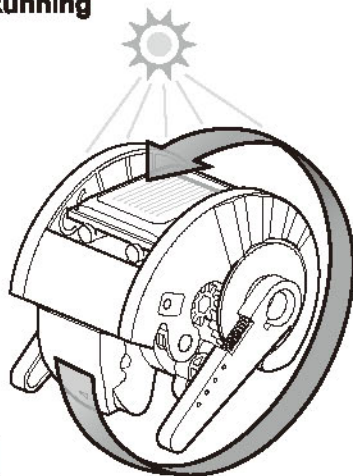
Right View

**5**

6



7 Running

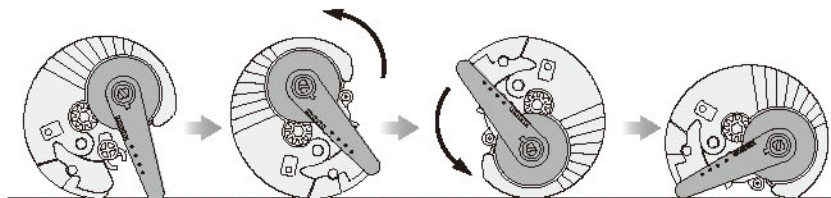
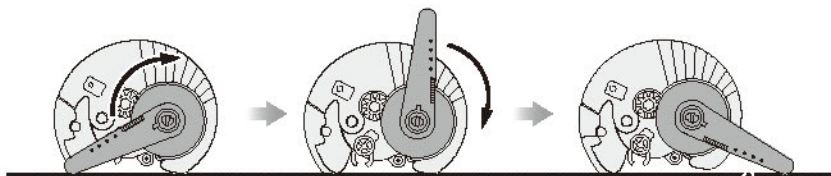


Solar panel please put toward the sun.

Unnecessary to Disassemble

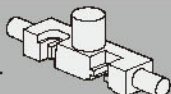


How It runs

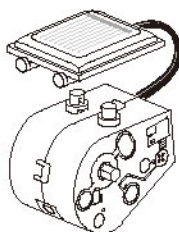
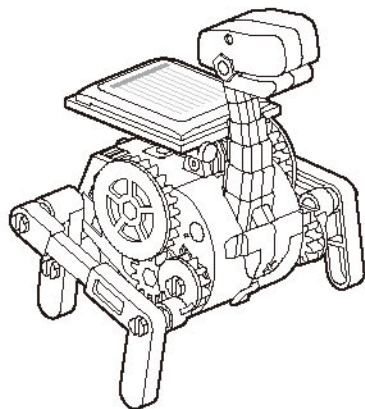


Disassemble Tips :

Use A28 tool to disassemble D6 · D15.



03. Dlno



Gear Box Module



D15x10

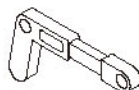
1:1



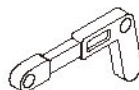
A3



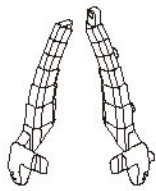
A4



B18



B21



B19

B20



B24x2



C19x2



C21x2



C24x2



D5



D9



Module B

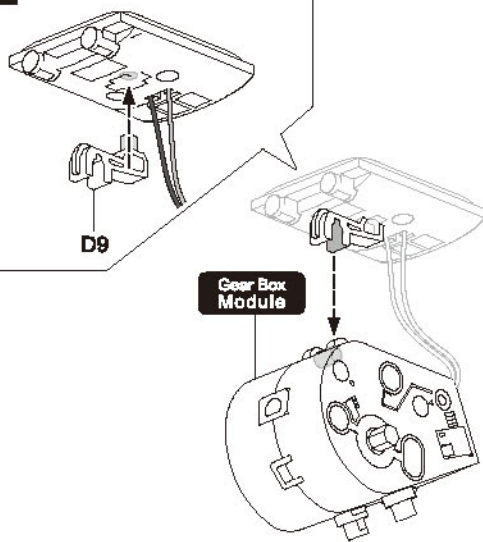
Plastic Part A Orange

Plastic Part B Black

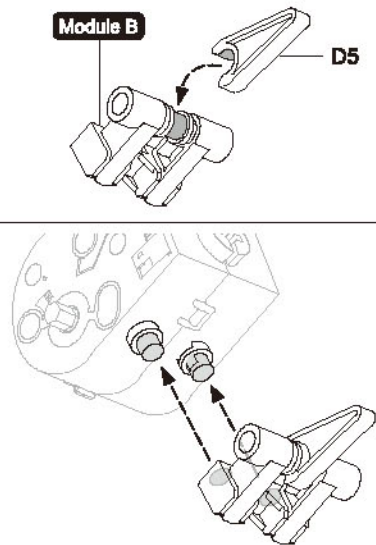
Plastic Part C White

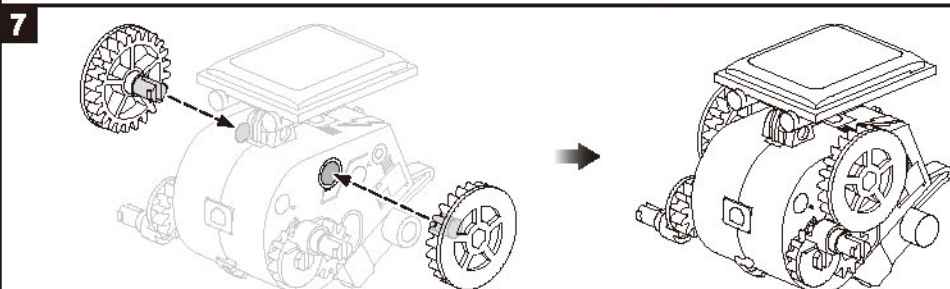
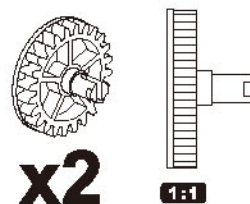
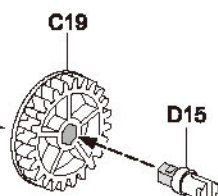
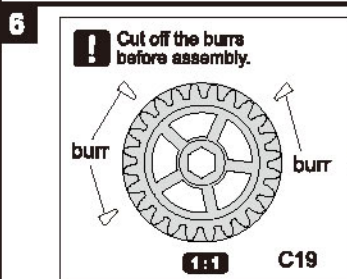
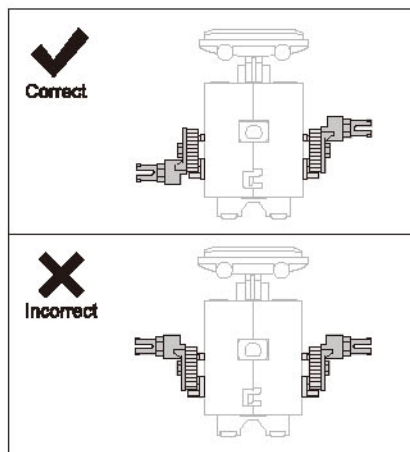
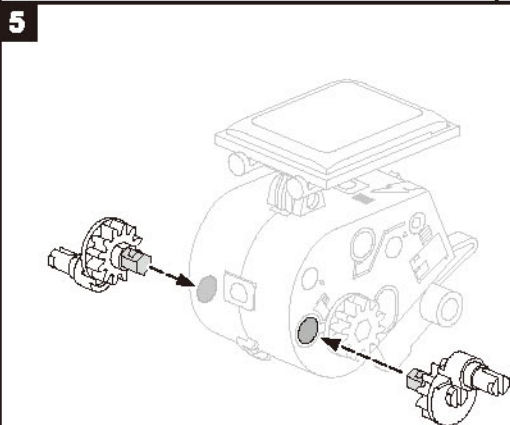
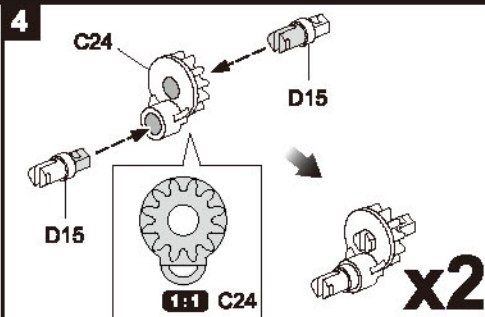
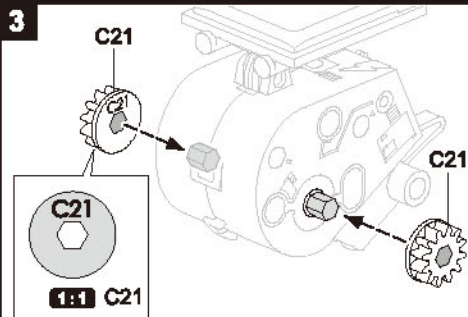
Plastic Part D Grey

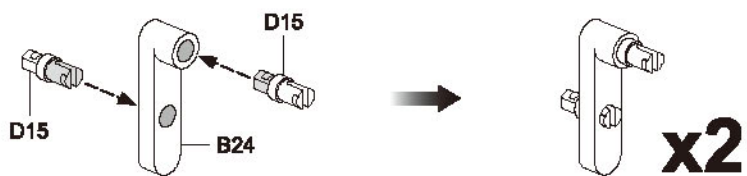
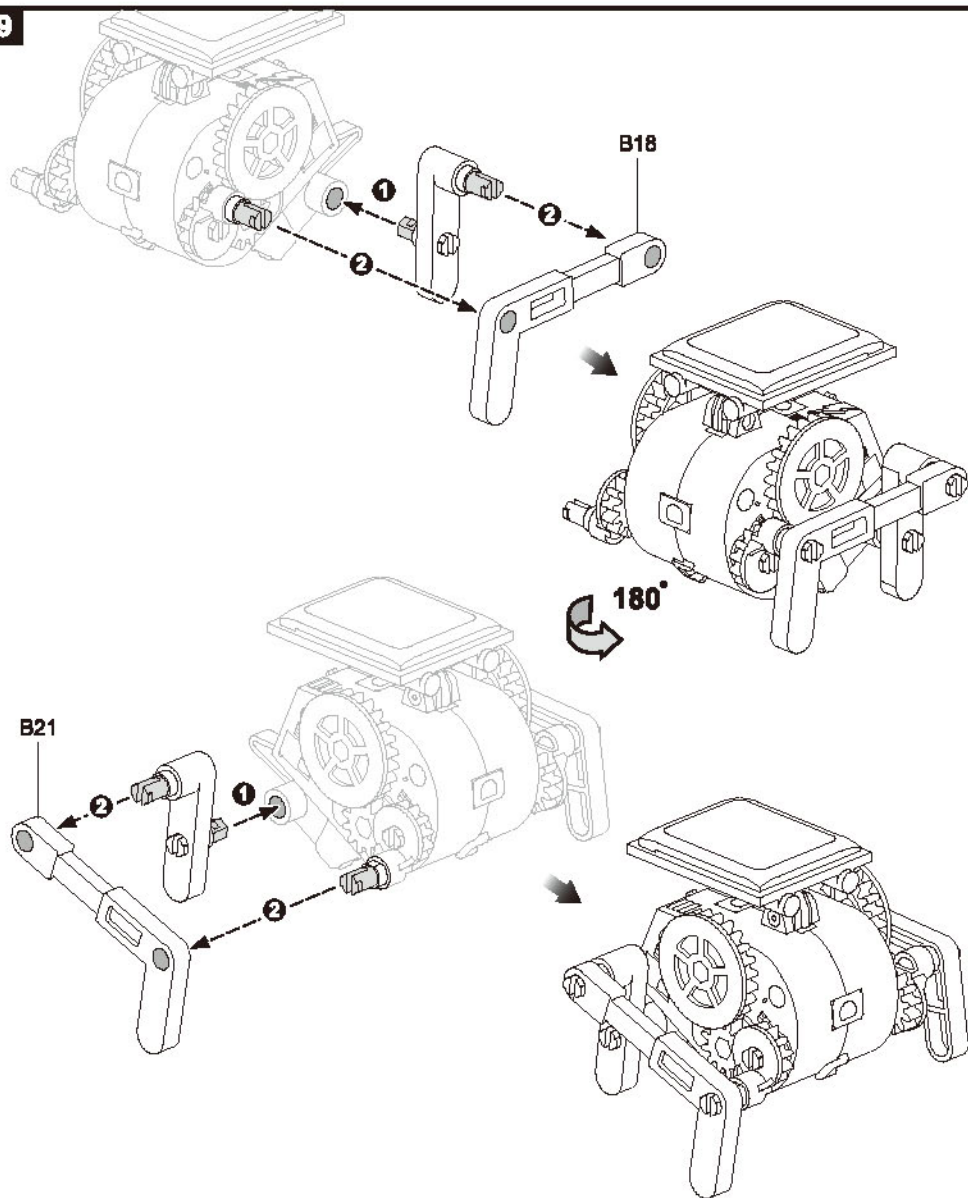
1

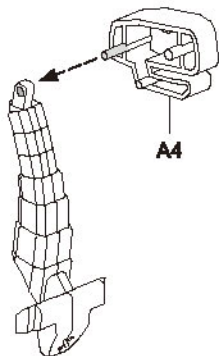
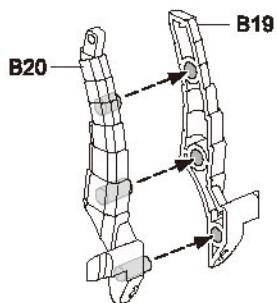
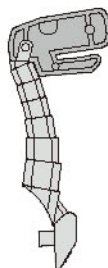
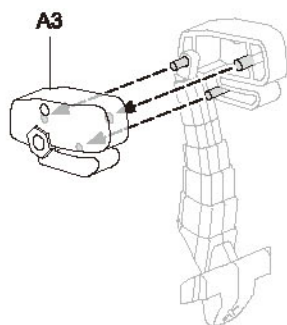
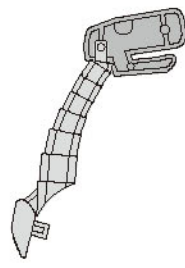
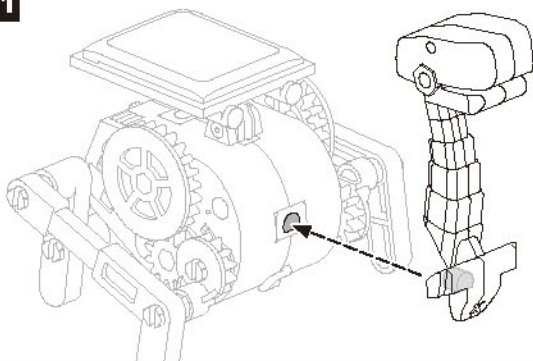
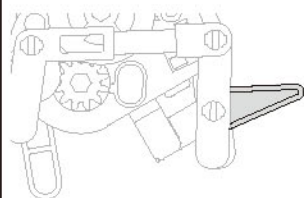
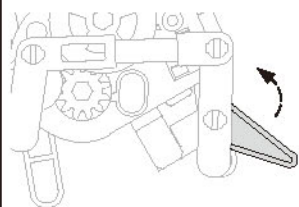
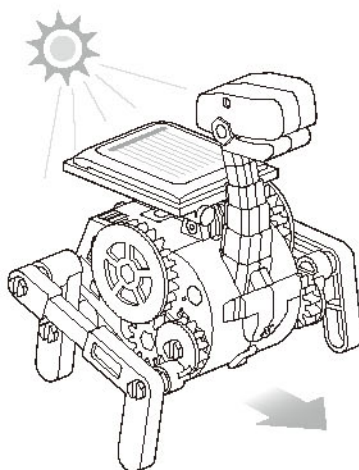
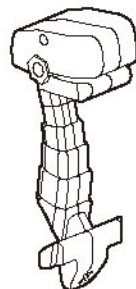


2

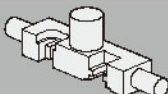




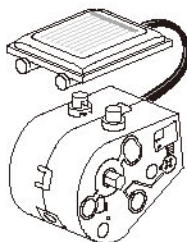
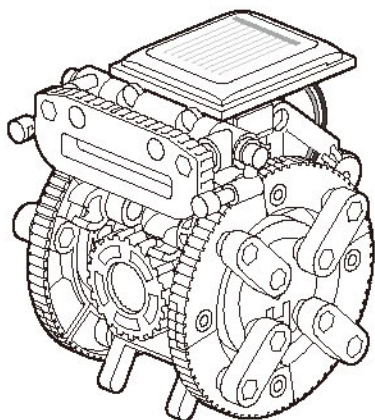
8**9**

10**Correct****Incorrect****11****12** Rotate the tail up.**13** Running**Unnecessary
to Disassemble**

Disassemble Tips :
Use A28 tool to disassemble D15.



04. Speedy



Gear Box Module



D6x18

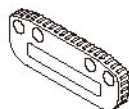
1:1



A1



A18x8



B8



C2



B7x2

1:1



B9x8

1:1



C3



C7



C9



C12



C13



C16



C23



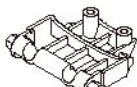
D3



D4



D8x2



D12



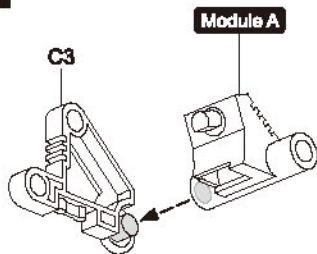
D13



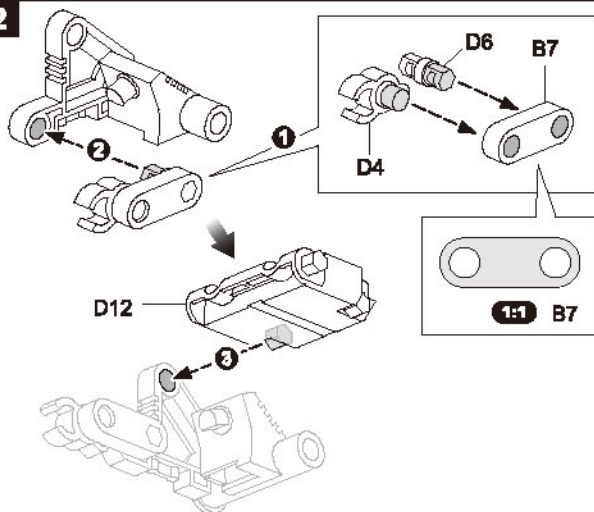
Module A

Plastic Part A	Orange
Plastic Part B	Black
Plastic Part C	White
Plastic Part D	Grey

1



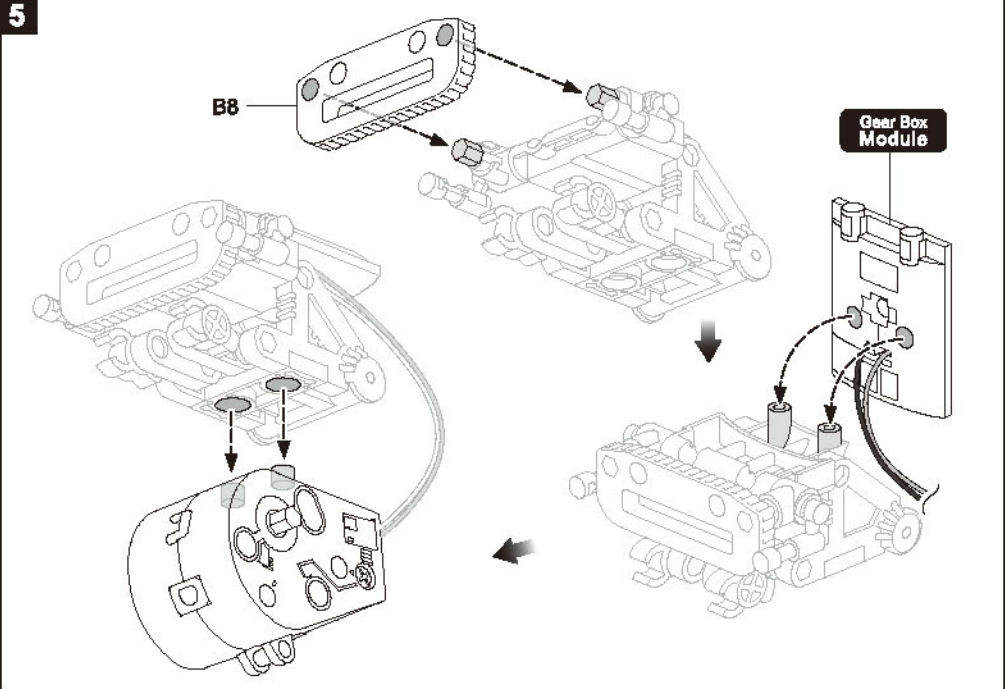
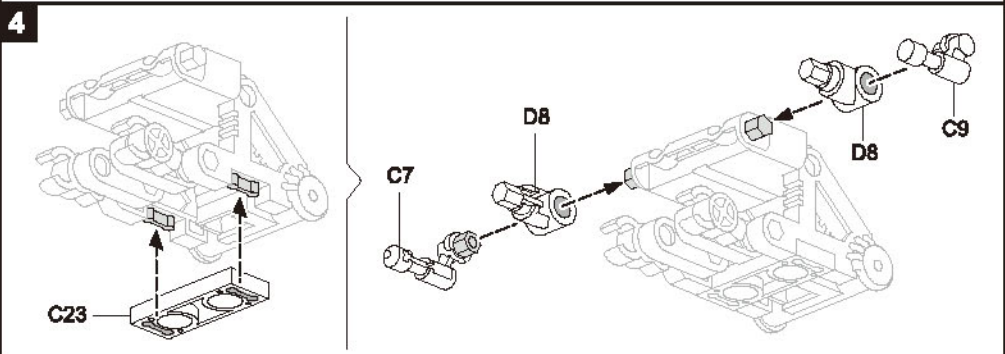
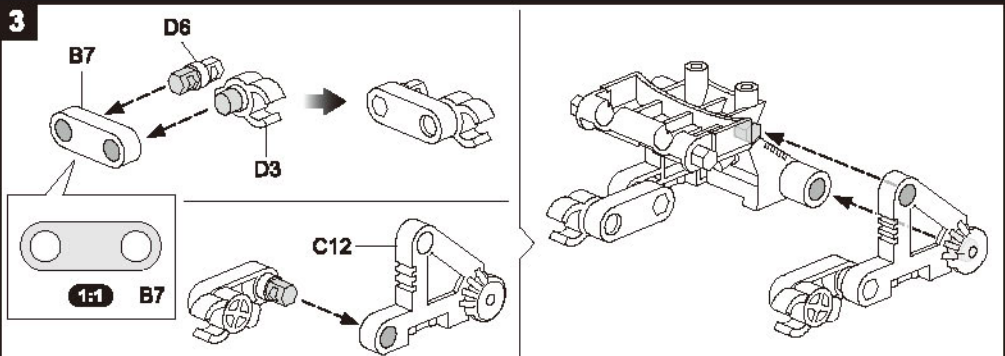
2

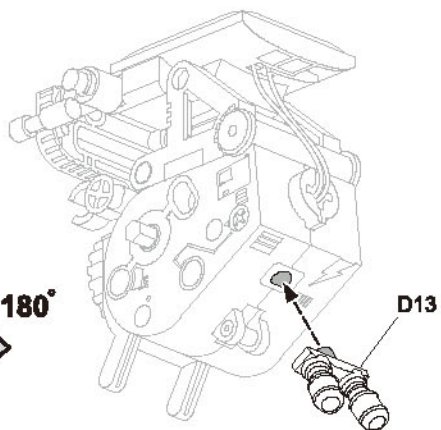
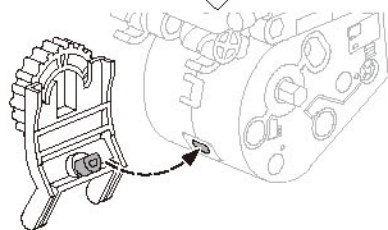
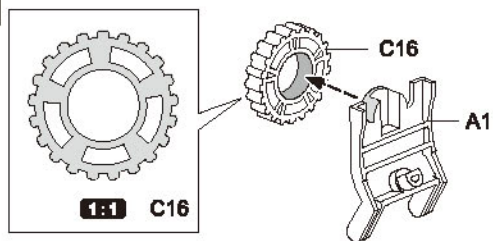
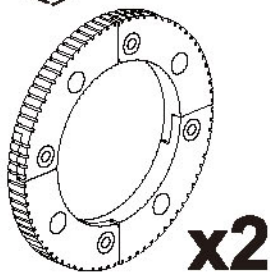
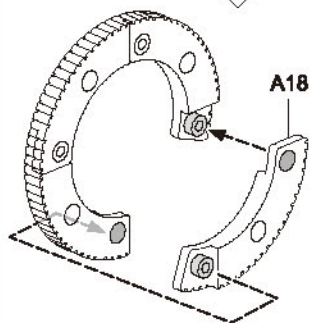
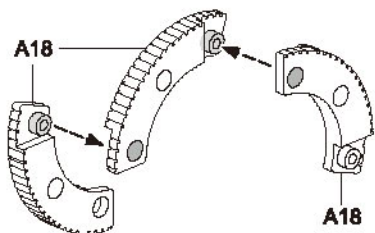
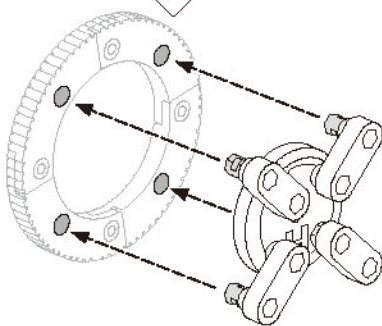
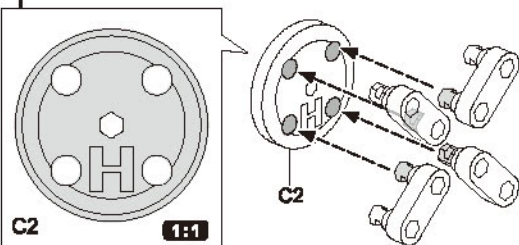
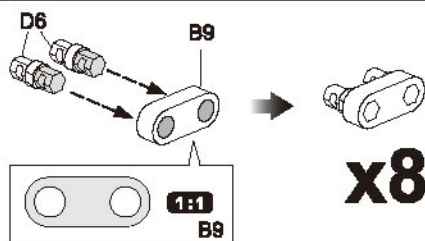


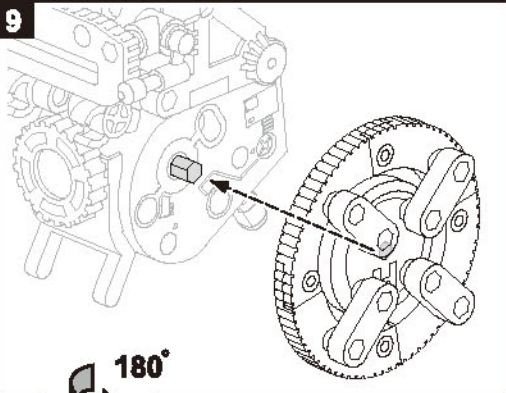
D12

1:1

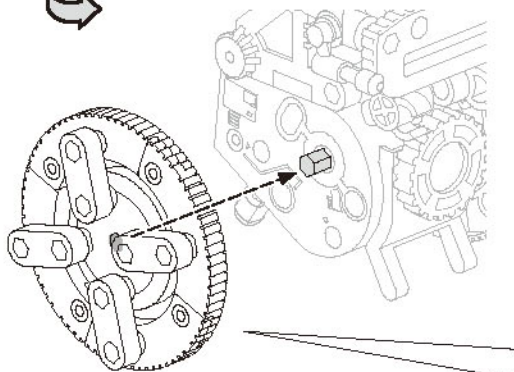
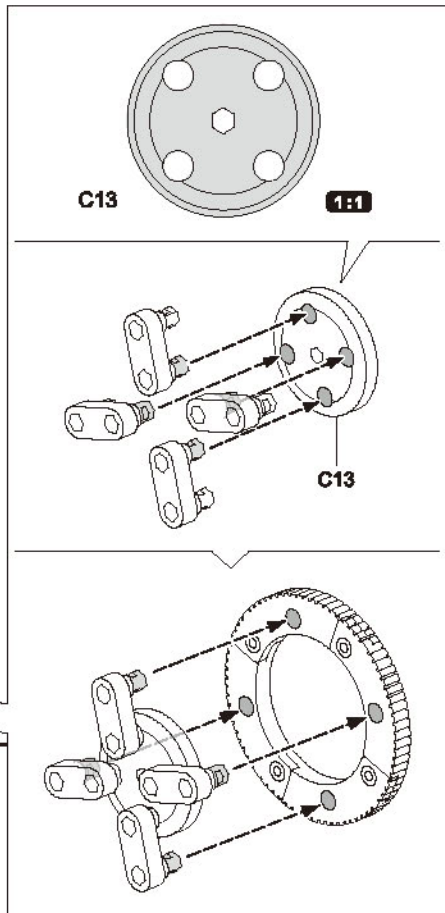
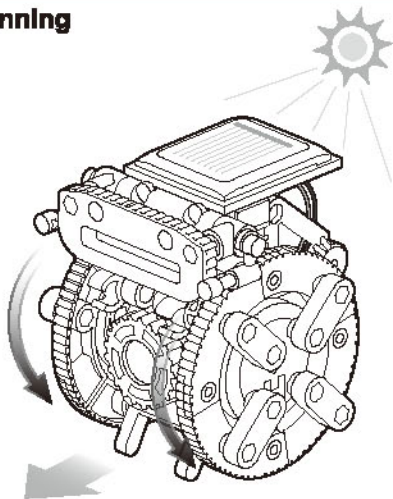
B7



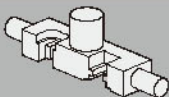
6**7****8**

9

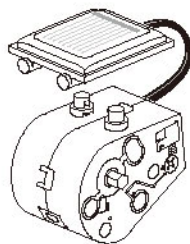
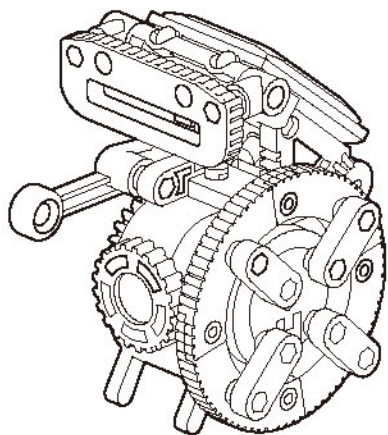
180°

**10****11 Running**

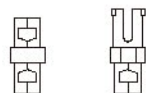
Disassemble Tips :
Use A28 tool to disassemble D6.



05. Wheel-Bot



Gear Box Module



D6x9

D15

1:1



A1



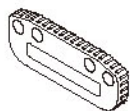
A5



A6



A18x4



B8



B9x4

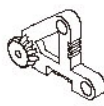
1:1



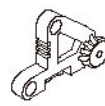
B22



C2



C3



C12



C14



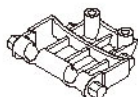
C16



C23



D8x2



D12

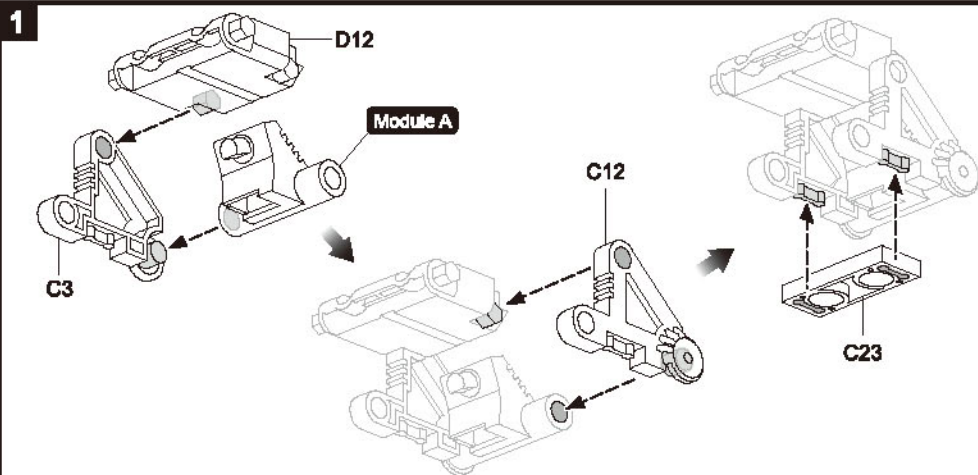


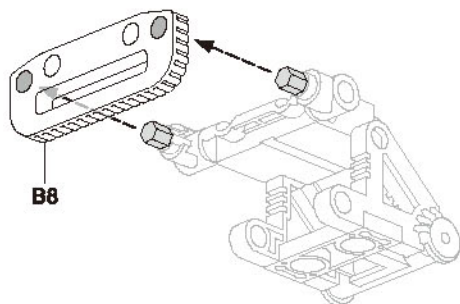
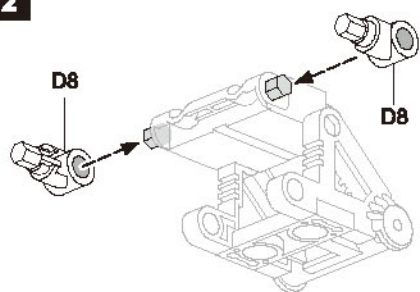
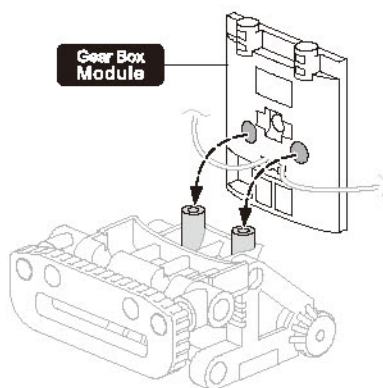
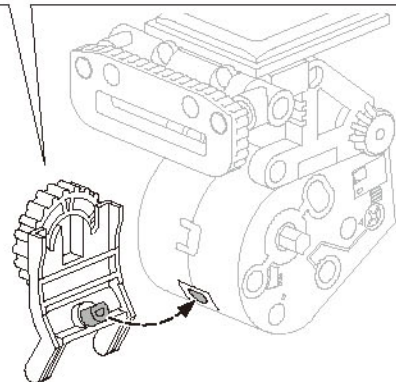
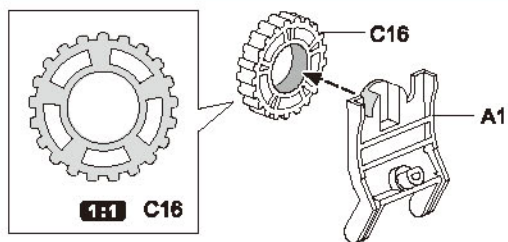
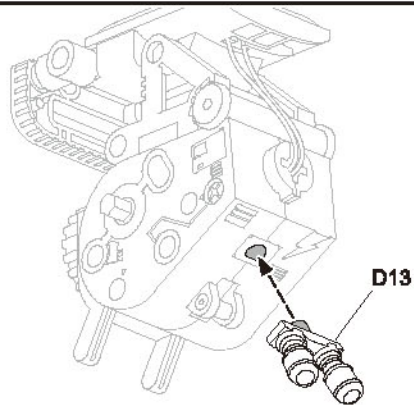
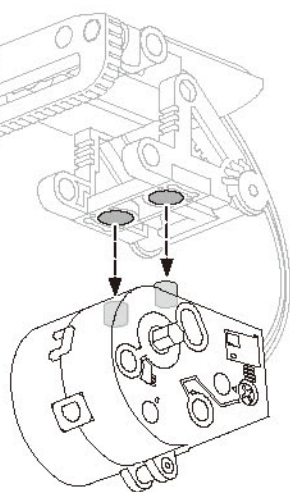
D13



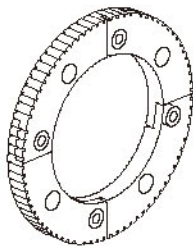
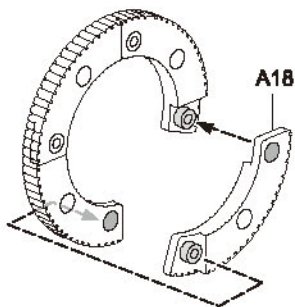
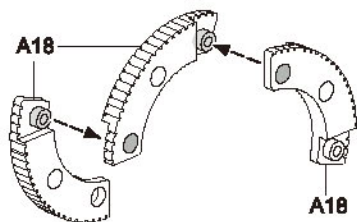
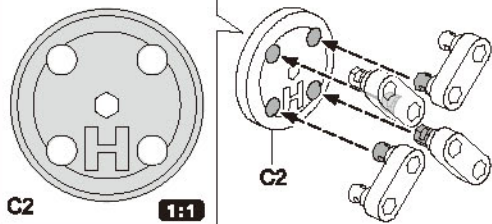
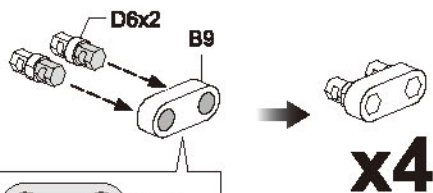
Module A

Plastic Part A	Orange
Plastic Part B	Black
Plastic Part C	White
Plastic Part D	Grey

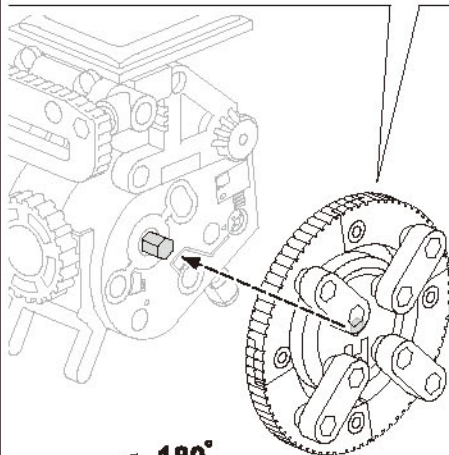
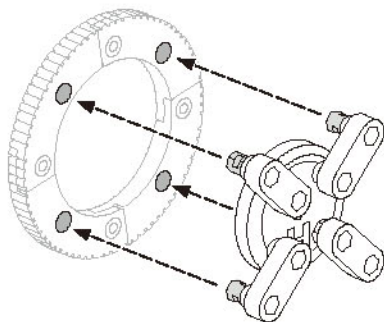


2**3****4****5**

6

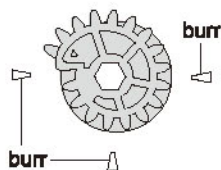


7



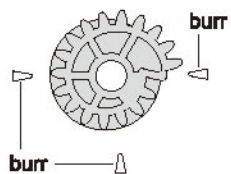
8

! Cut off the burrs before assembly.

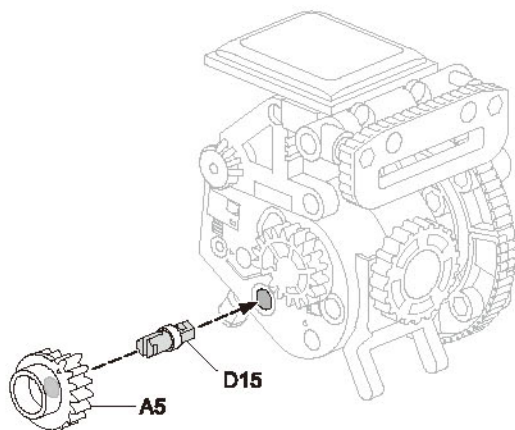


9

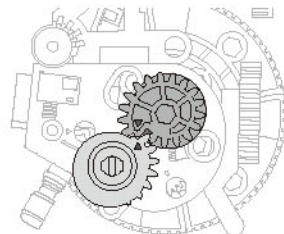
! Cut off the burrs before assembly.

**1:1**

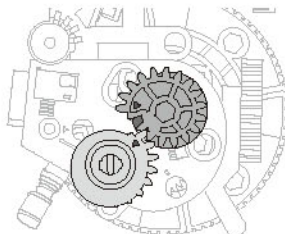
A5



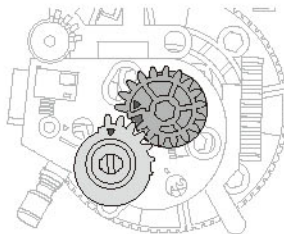
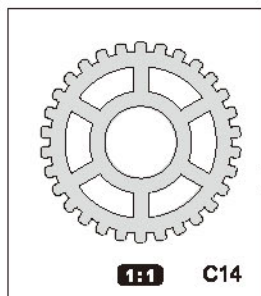
Correct



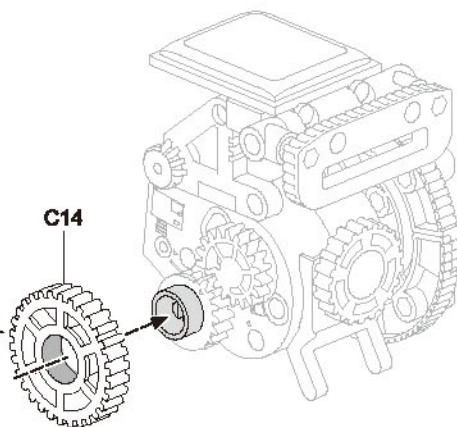
Incorrect



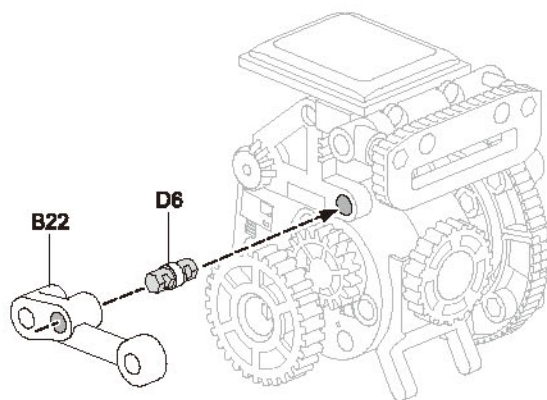
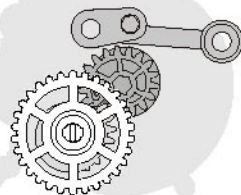
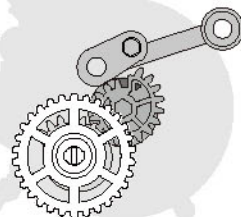
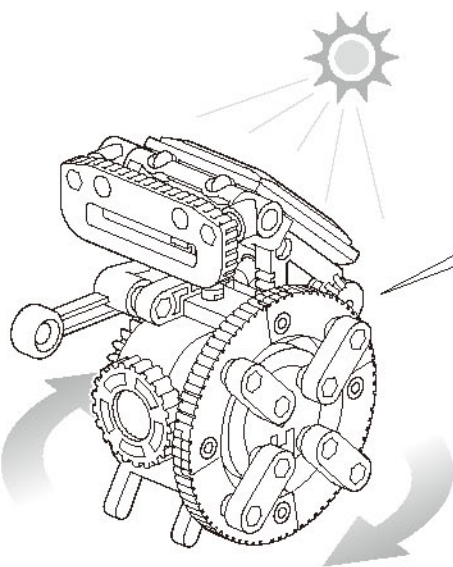
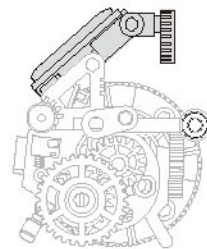
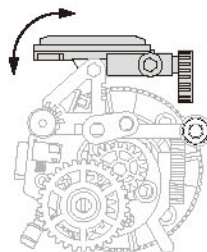
Incorrect

**10****1:1**

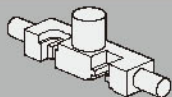
C14



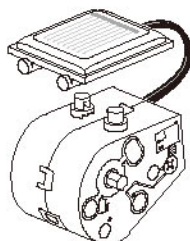
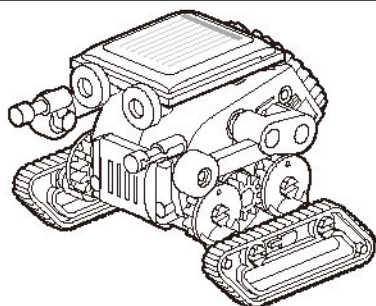
C14

11**Correct****Incorrect****12 Running****Adjustable**

Disassemble Tips :
Use A28 tool to disassemble D6 \ D15.



06. Tank



Gear Box Module



D2x2



D6x4

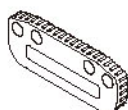


D15x6

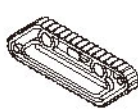
1:1



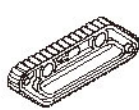
B6x2



B8x2



B11



B12



B17



B22



C7



C9



C15



C25x2



C26x4



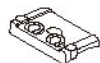
C27



D10



D11



D14

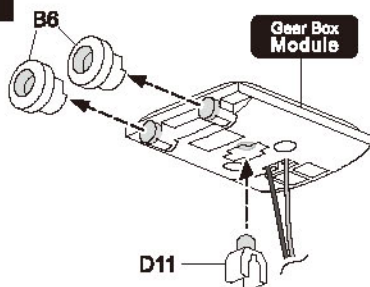
Plastic Part A Orange

Plastic Part B Black

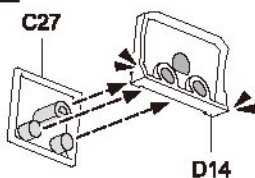
Plastic Part C White

Plastic Part D Grey

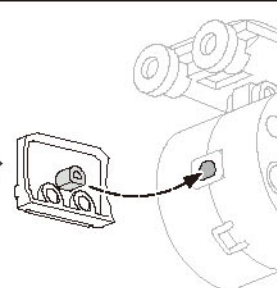
1



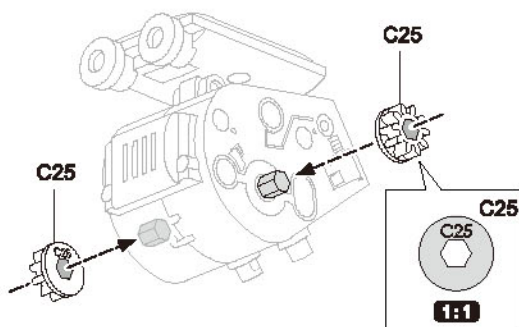
2

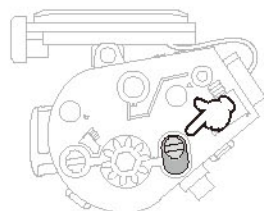
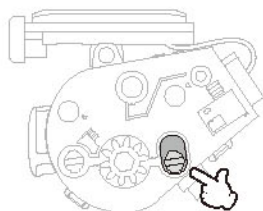
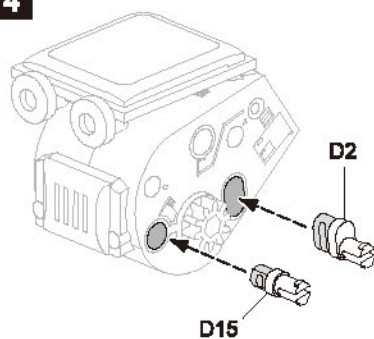
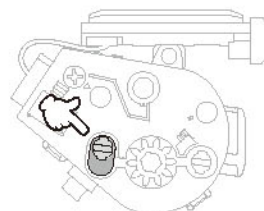
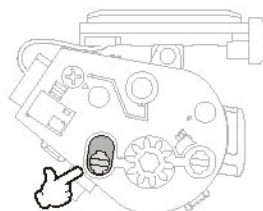
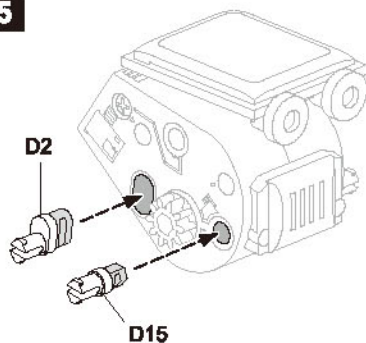
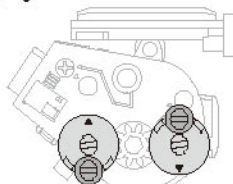
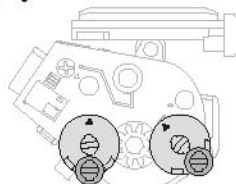
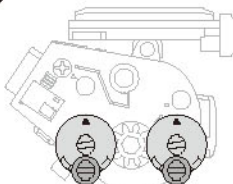
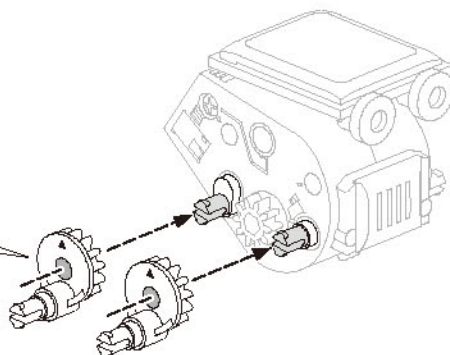
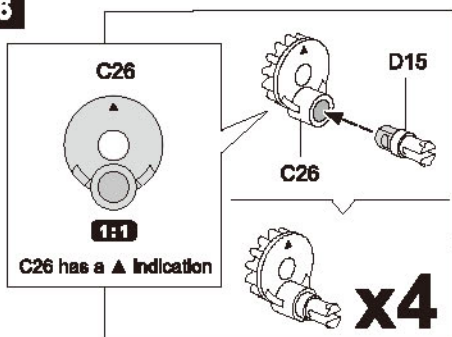


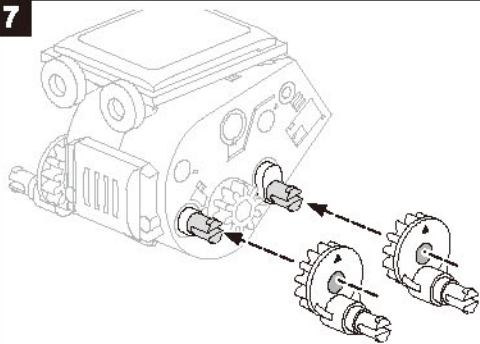
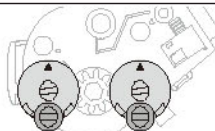
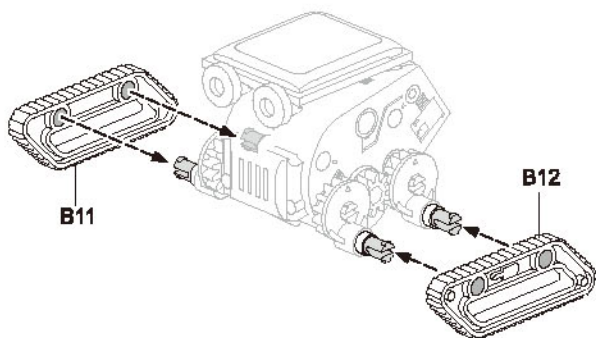
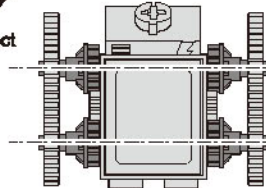
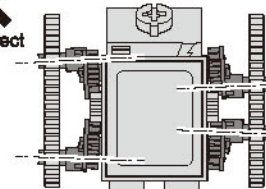
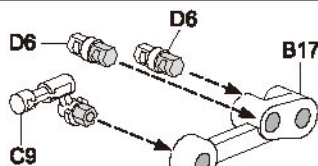
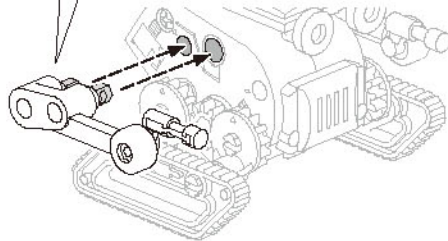
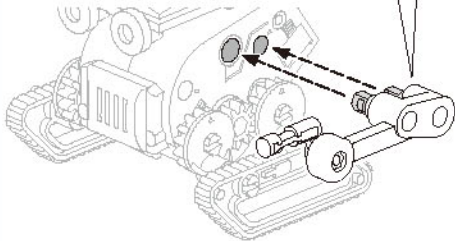
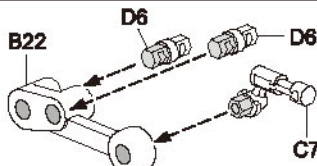
Be careful of sharp edges.

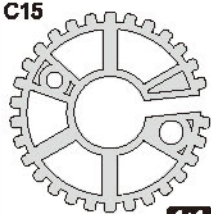
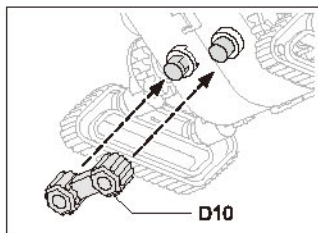
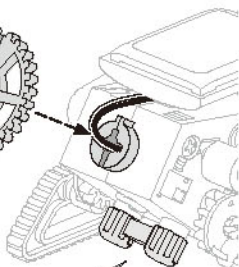
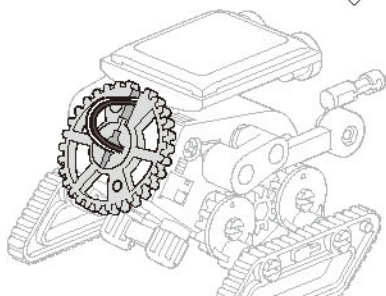
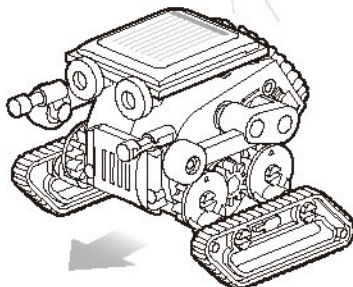
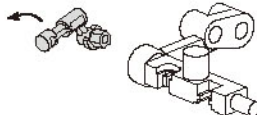
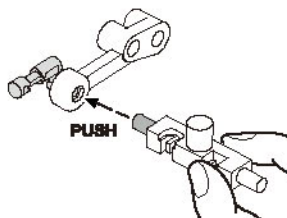
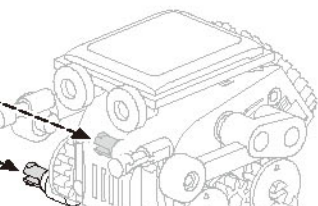
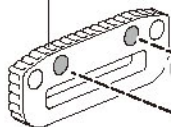
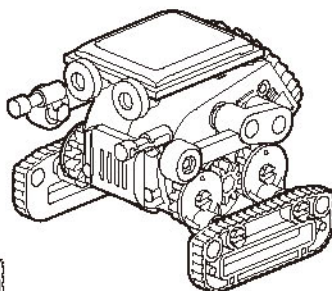
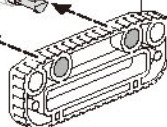
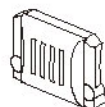


3

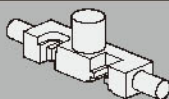


4**5****6**

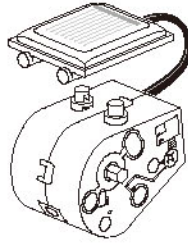
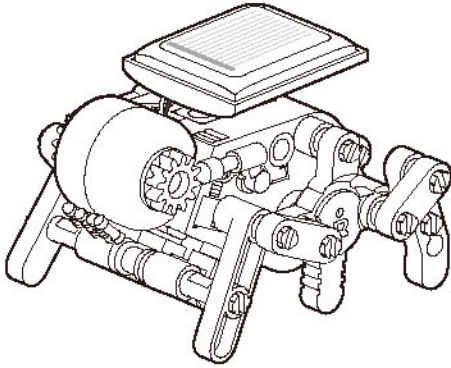
7**Correct****Incorrect****Incorrect****8****Bottom View****Correct****Incorrect****9****10**

11**C15****1:1****C15****D10****12****Running****Disassemble tips****Try this alternative continuous track!****B8****B8****Unnecessary to Disassemble****Disassemble Tips :**

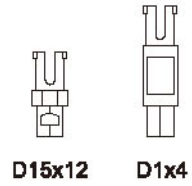
Use A28 tool to disassemble
C7 、 C9 、 D2 、 D6 、 D15.



07. Bug



Gear Box Module



D15x12

D1x4

1:1



A8



A9



A16



A19



B7x2

1:1



B9x4

1:1



B15



B16



B24xX2



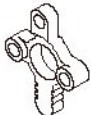
B27



C1x2



C4x2



C5x2



C7



C9



D11



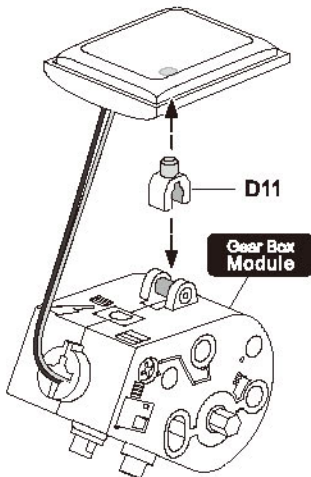
Module A



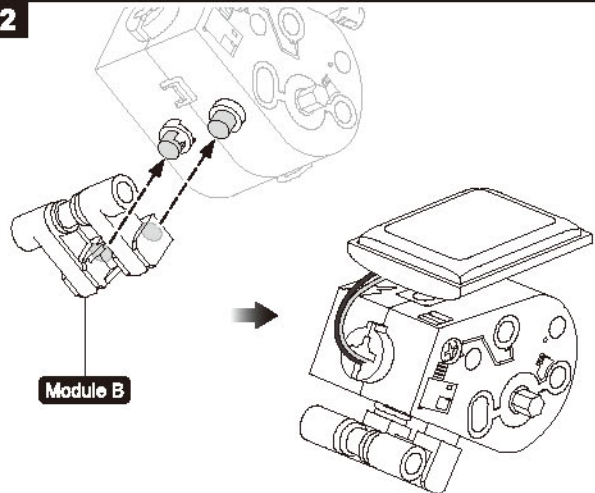
Module B

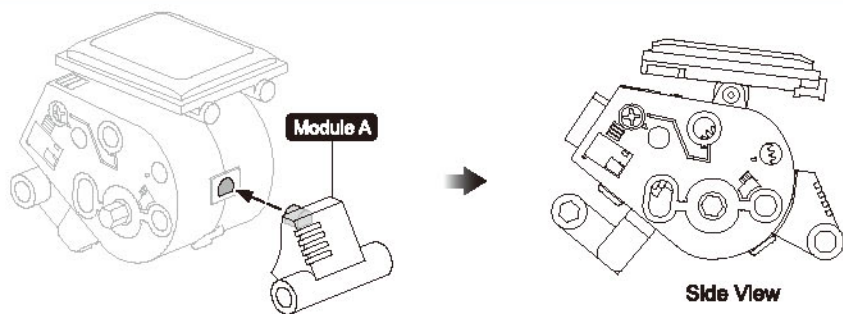
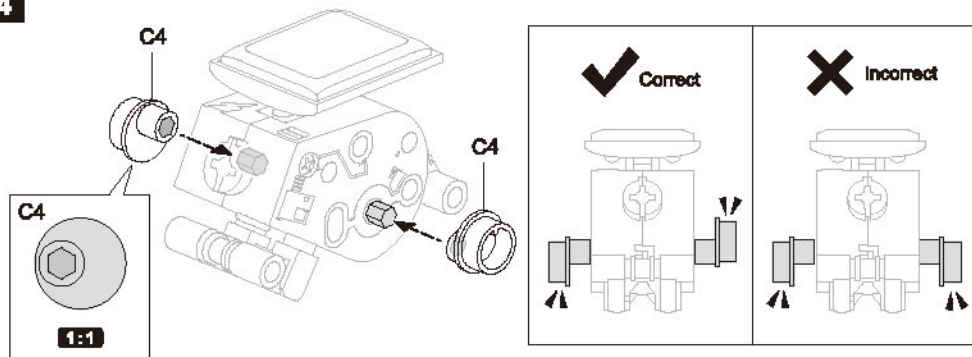
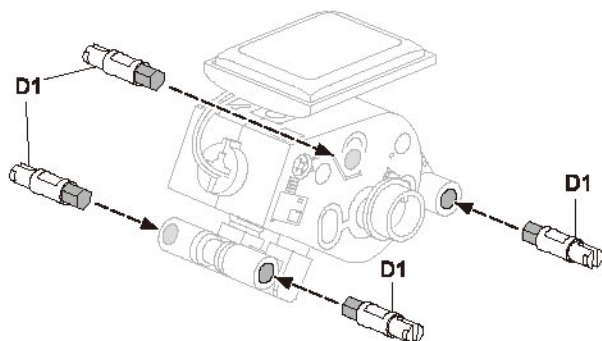
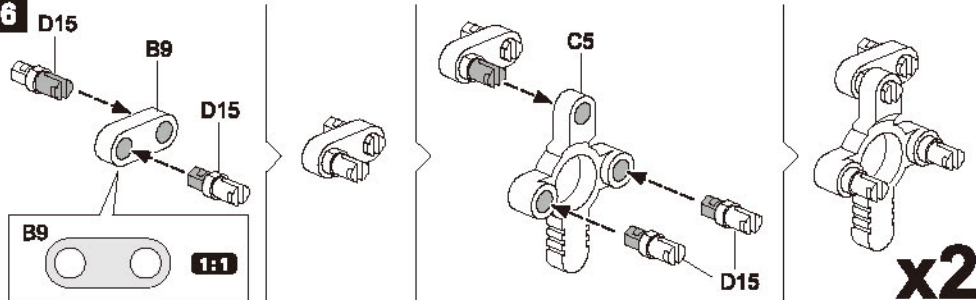
Plastic Part A	Orange
Plastic Part B	Black
Plastic Part C	White
Plastic Part D	Grey

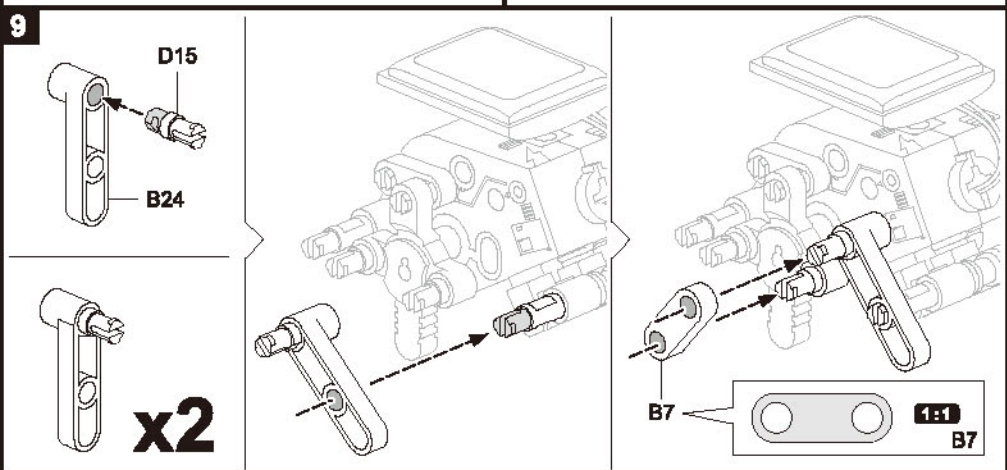
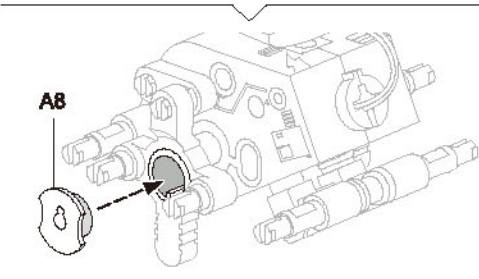
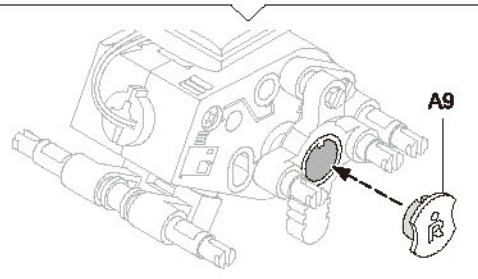
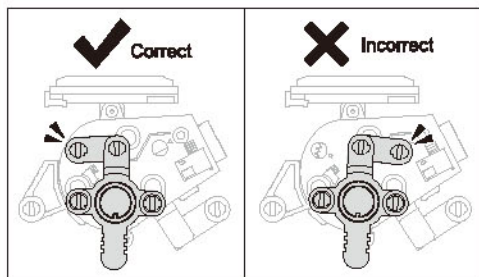
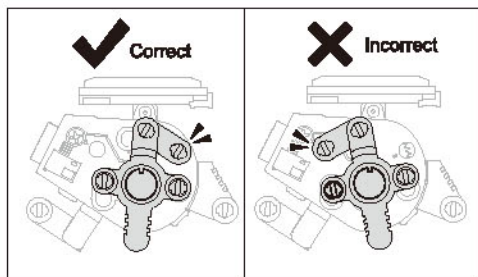
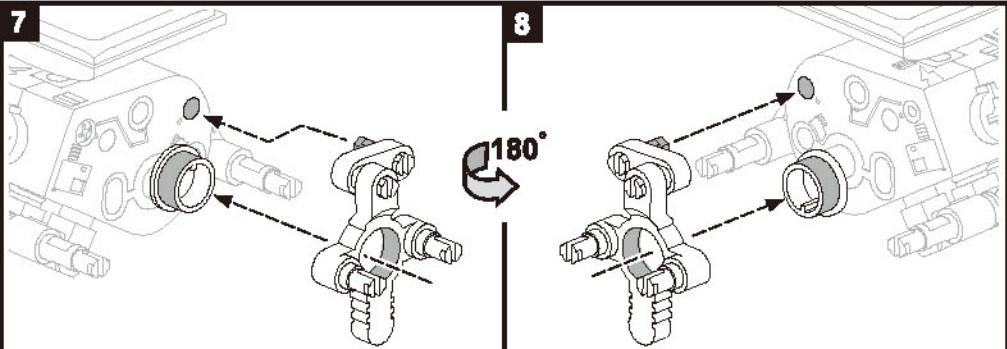
1

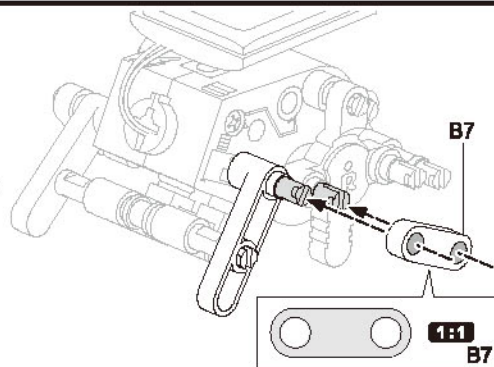
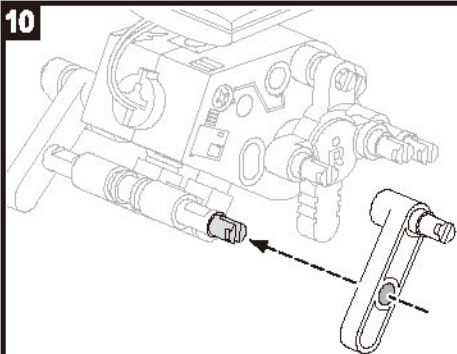
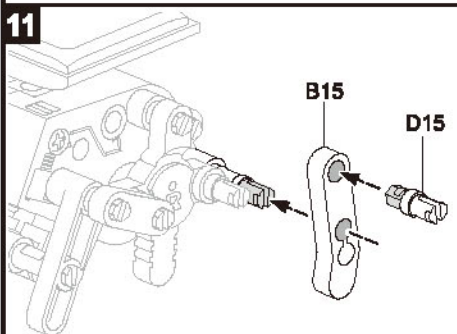
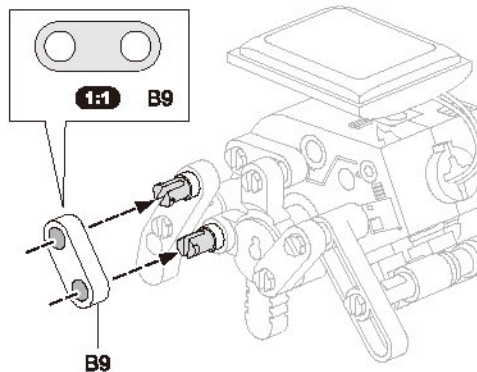
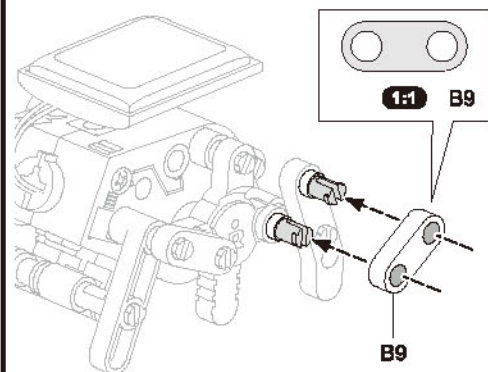
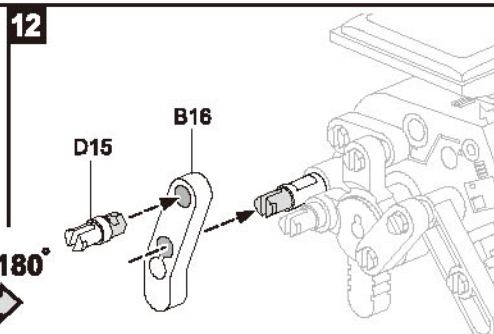
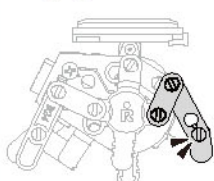
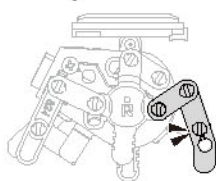
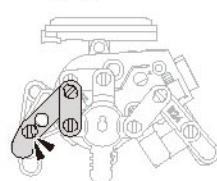
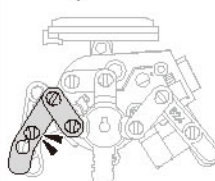


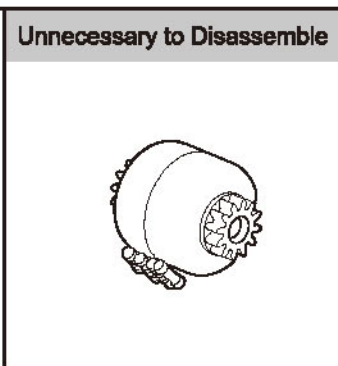
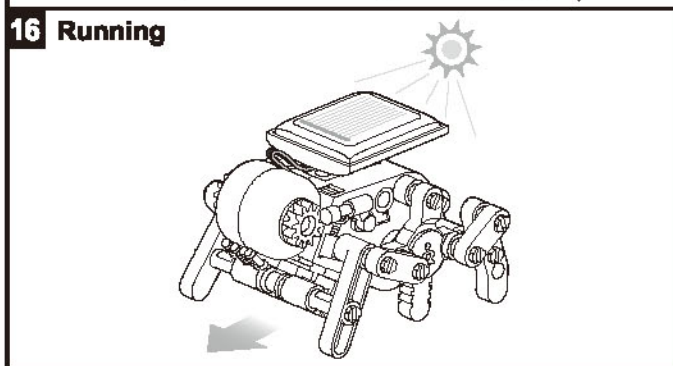
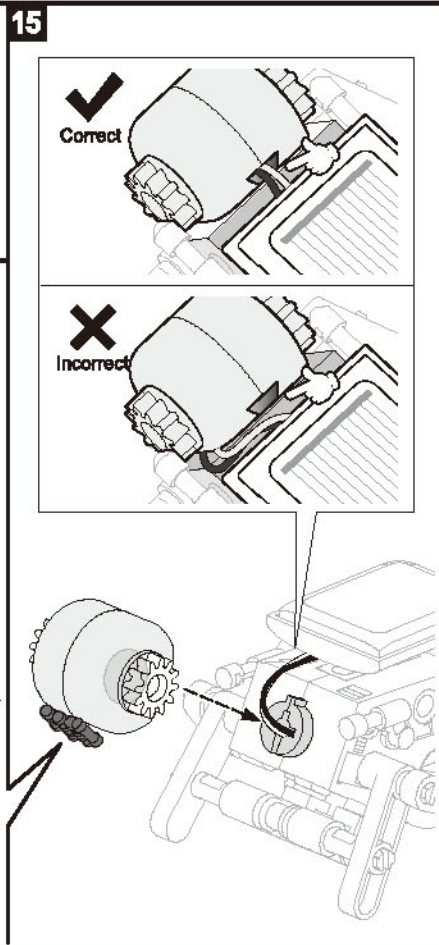
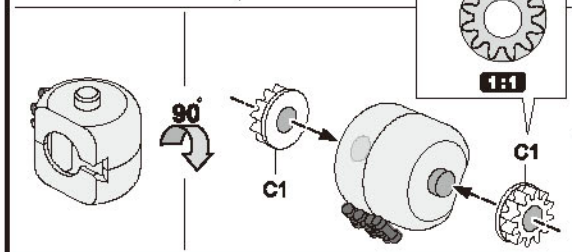
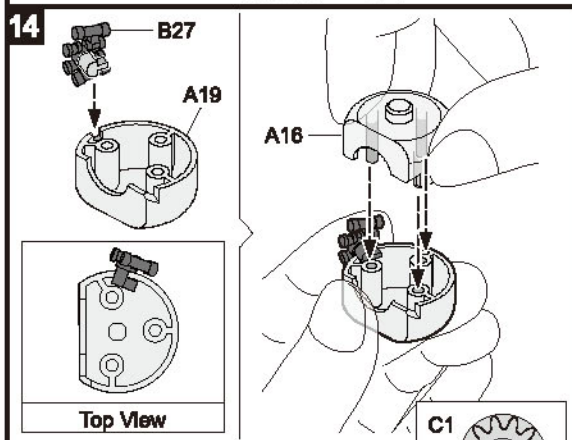
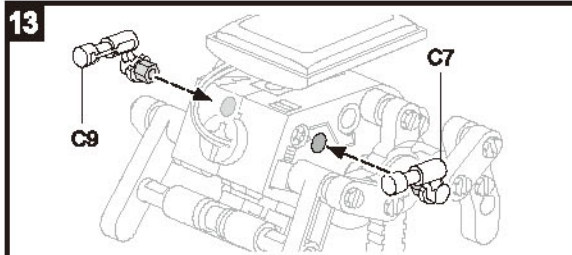
2



3**4****5****6**

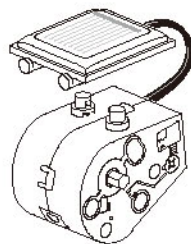
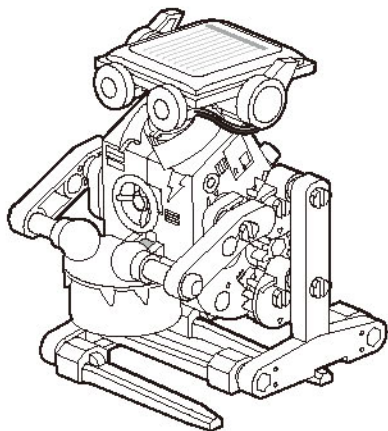


10**11****12****Correct****Incorrect****Correct****Incorrect**

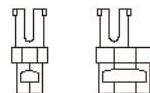


Disassemble Tips :
Use A28 tool to disassemble D1 ~ D15.

08. Drummer



Gear Box Module



D15x8

D2x2

1:1



B4



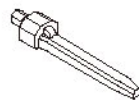
B5x2



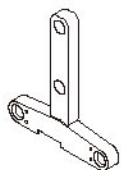
B6x2



B10



B13x4



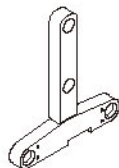
B14



B15



B16



B23



B25



B26



B31



C8



C10



C20



C22x2



C25x2



C26x4



D9



D11

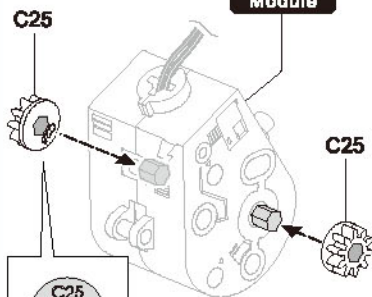
Plastic Part A **Orange**

Plastic Part B **Black**

Plastic Part C **White**

Plastic Part D **Grey**

1



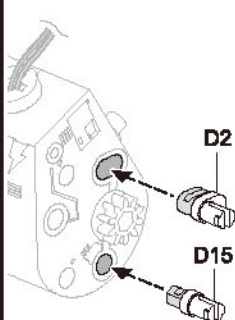
Gear Box Module

C25

C25

1:1 C25

2



D2

D15



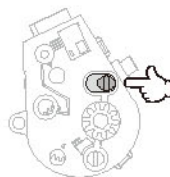
Correct

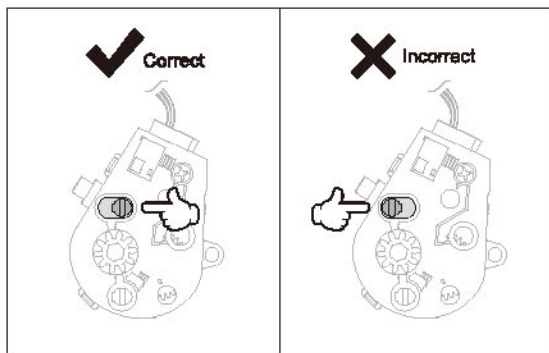
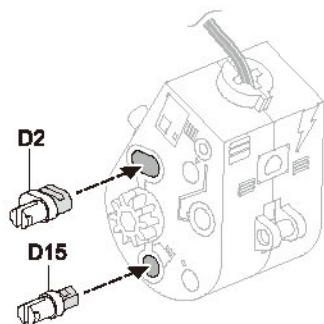
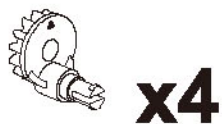
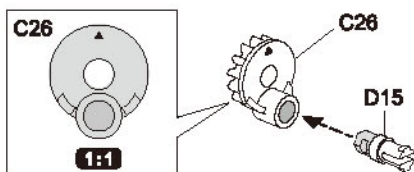
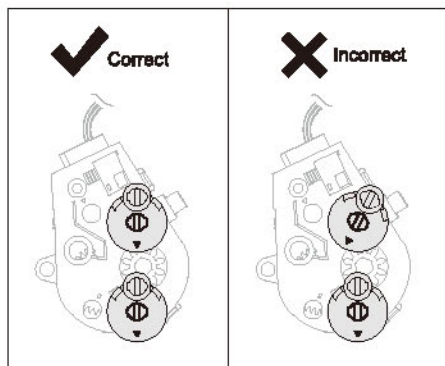
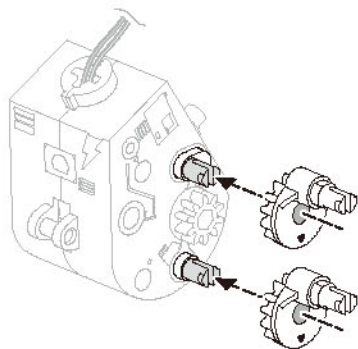
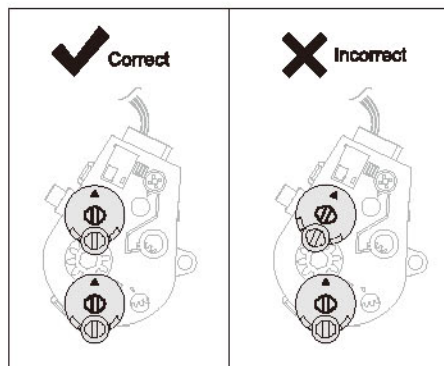
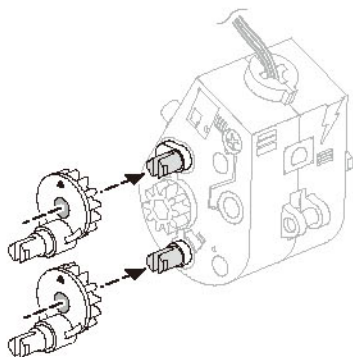


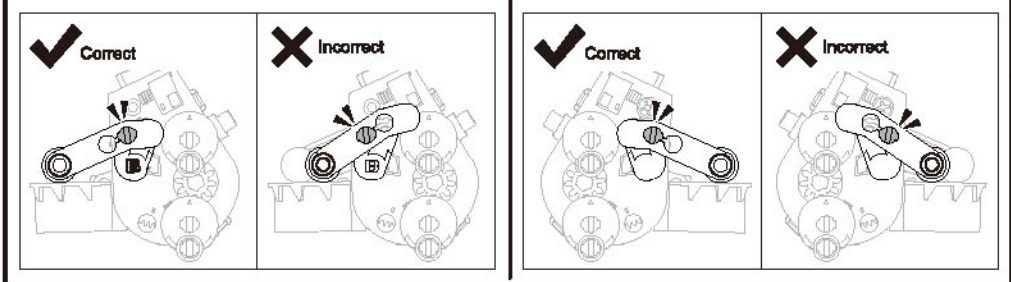
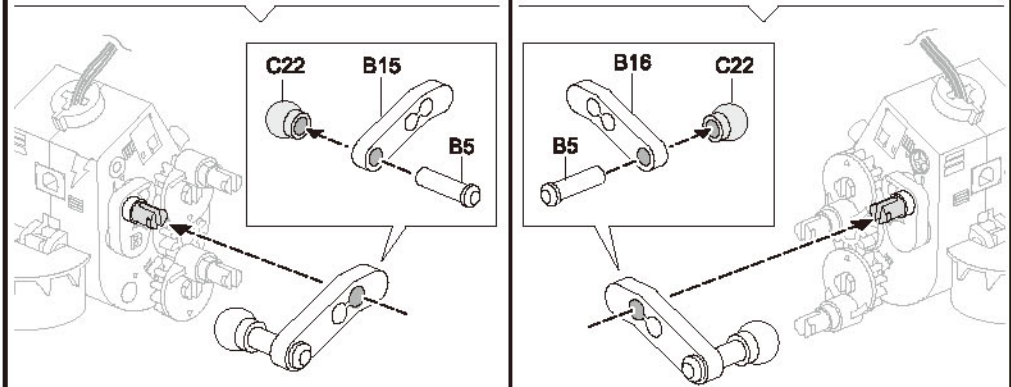
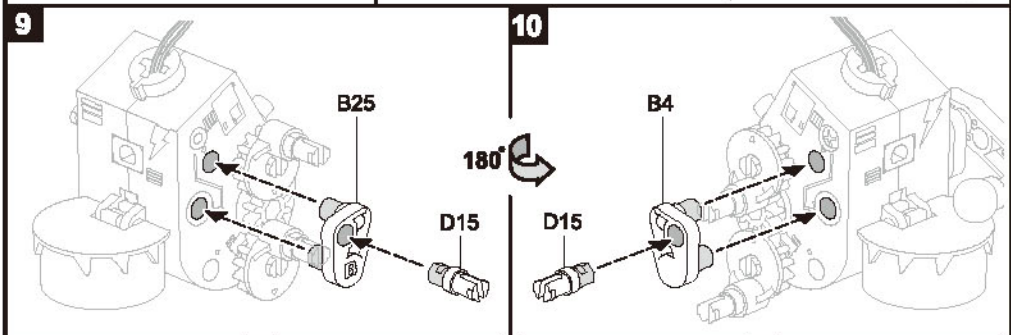
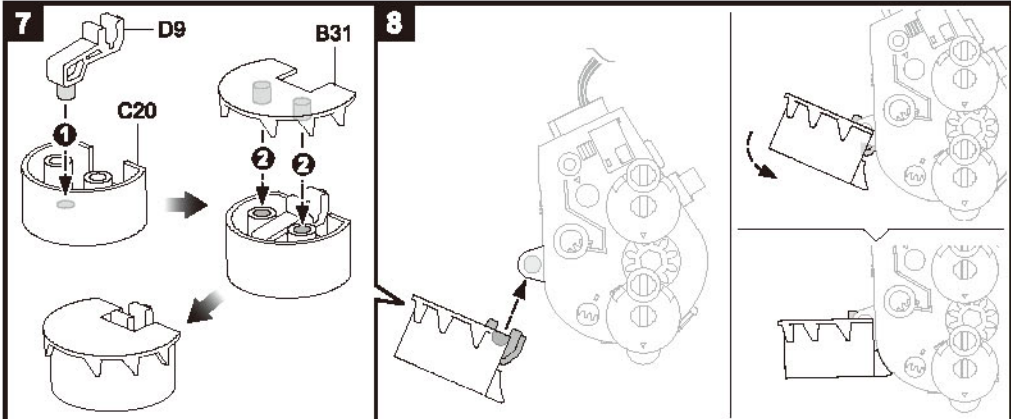
Incorrect

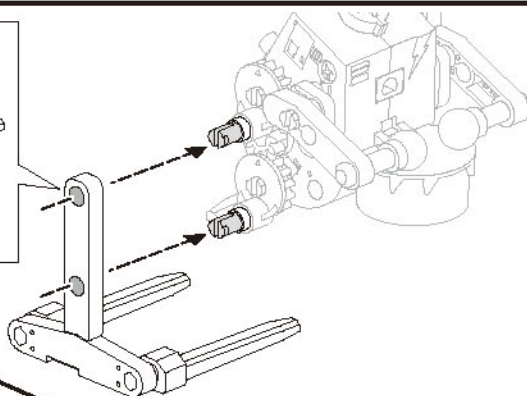
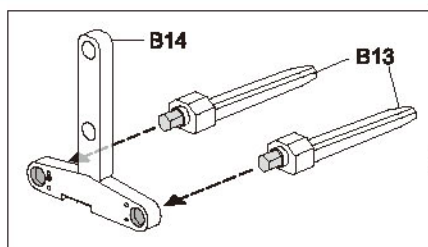
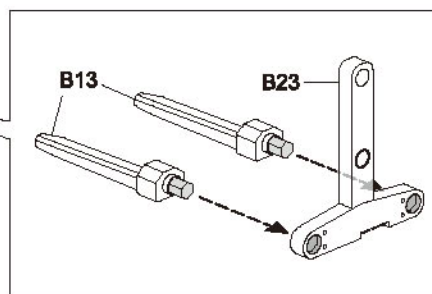
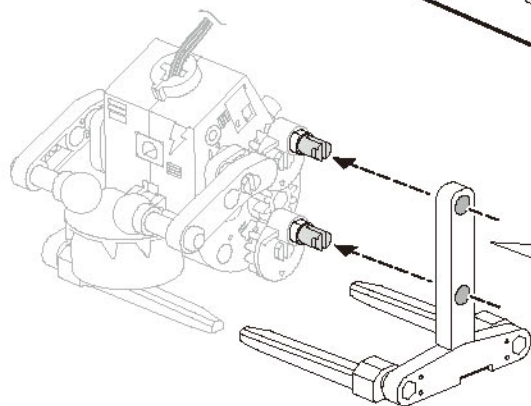
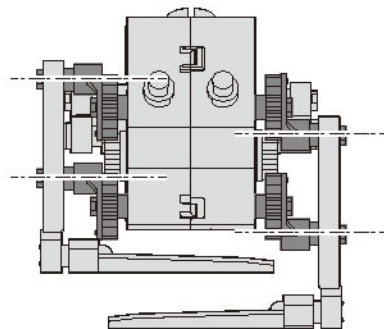
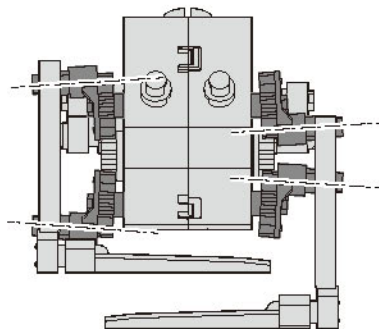


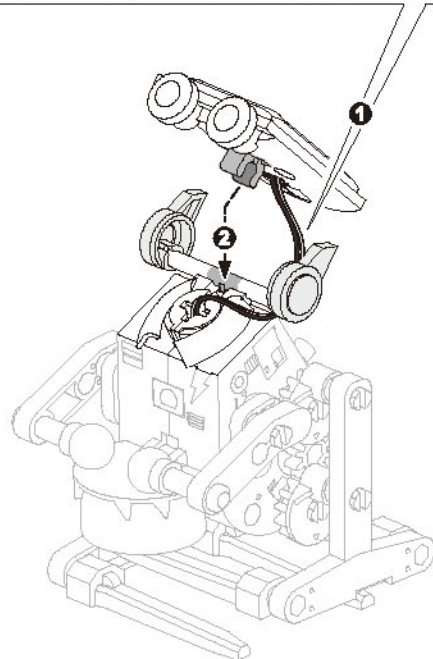
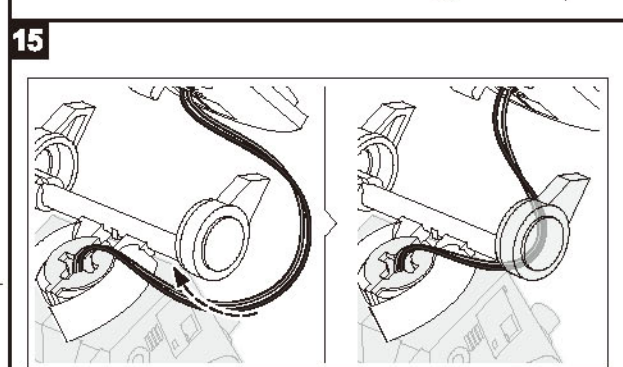
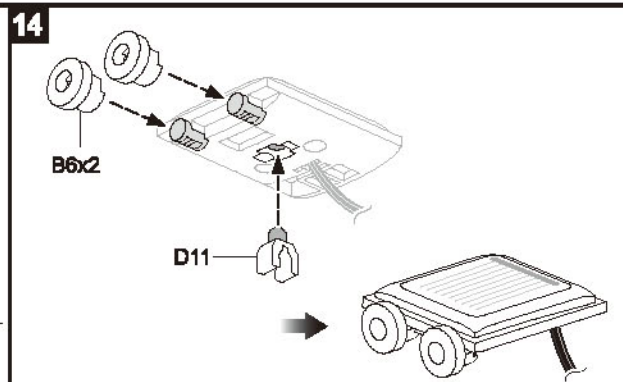
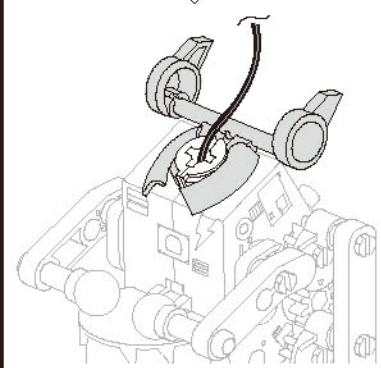
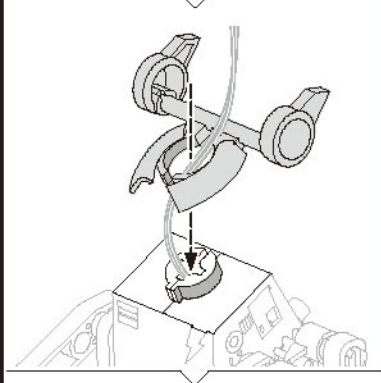
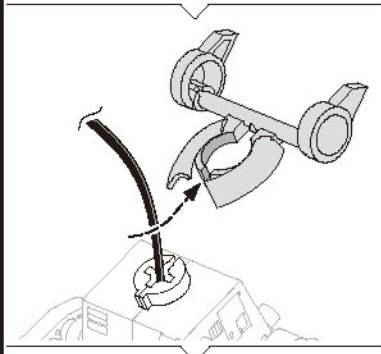
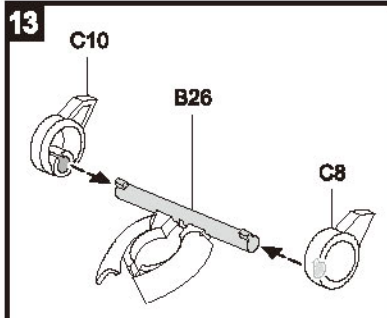
D2



3**4****5****6**

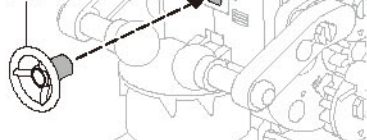
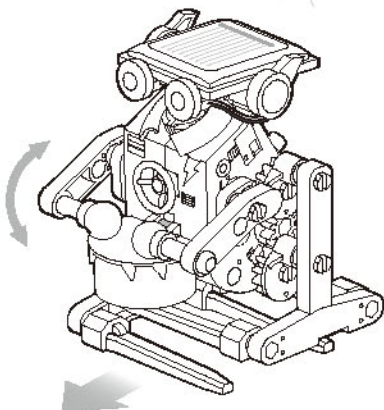
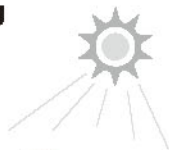


11**12**180° **Rear View****Correct****Incorrect**

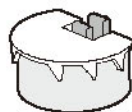
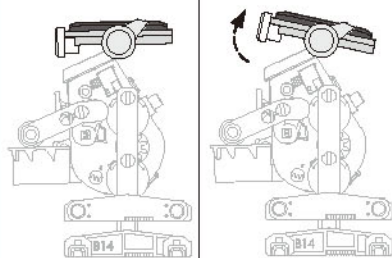


16

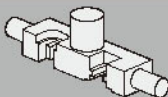
B10

**18 Running**

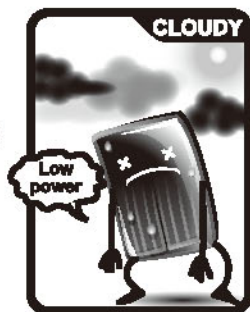
Unnecessary
to
Disassemble

17 Rotate the head up**Disassemble Tips :**

Use A28 tool to disassemble D2 \ D15.



It's time to have some FUN !



1. Take outside under direct sunlight. Best results are obtained when operated on a sunny day.
2. For indoor fun, use a 50 watt halogen light. The product will not run on a cloudy day, shaded locations, indirect sunlight, or under a Fluorescent light.



Copyright © 2019 CIC.
All rights reserved

