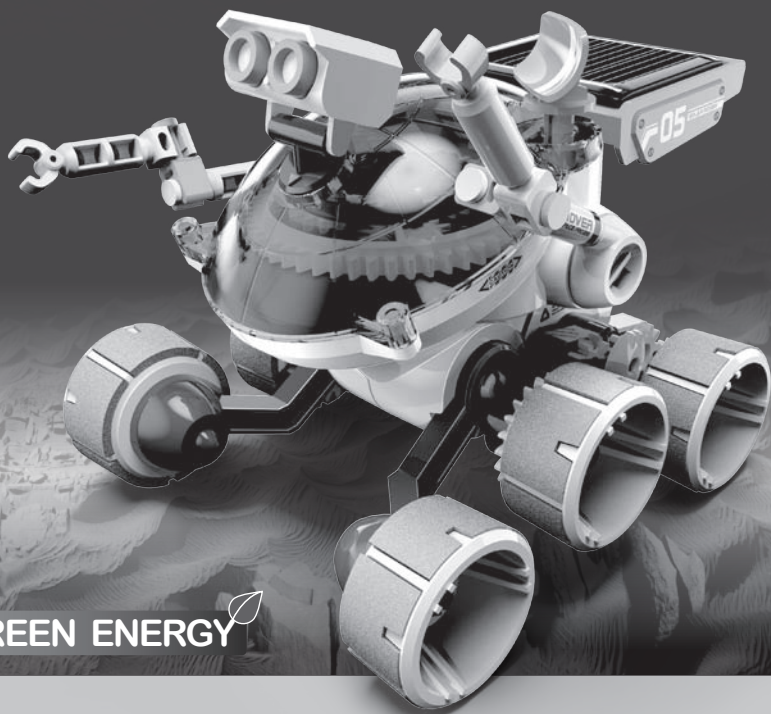




SOLAR ROVER



GREEN ENERGY 

Assembly & Instruction

Manual

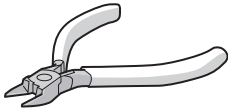
SOLAR ROVER

This is an all-terrain Solar vehicle, equipped with 6-Wheel mechanical Suspension and 4-wheel drive system, this super Rover conquers and goes beyond boundaries.

Additionally, fantastic Planetary gears transmission system and adjustable robotic arms to add more interesting and fun for children to play and learn.

The Sun, The Rover, go your adventure Journey.

Tool You May Need



Diagonal Cutter

Mechanical Parts List

! Product contains functional edges and sharp points.

P1	Solar Panel With Motor	QTY
	<p>! Don't connect the wires to the mains.</p>	1

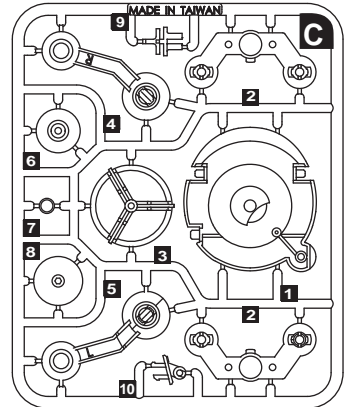
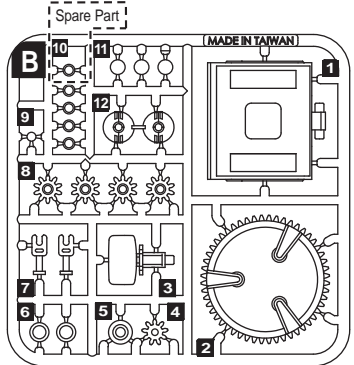
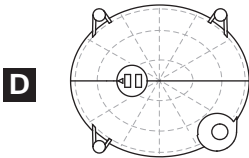
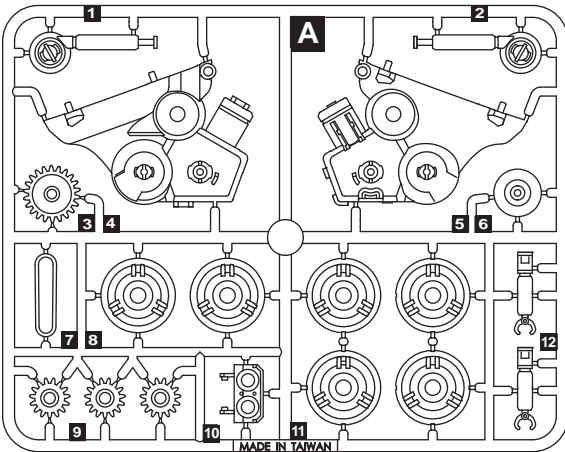
P2	Gear(Yellow)	P3	Gear(Orange)	P4	Gear(Red)	P5	Sponge
	QTY		QTY		QTY		QTY
	1		4		1		2

P6	Hex Shaft	P7	Round Shaft (Short)	P8	Round Shaft (Medium)	P9	Round Shaft (Long)
	QTY		QTY		QTY		QTY
	1	(2x16mm)	1	(2x23mm)	2	(2x26mm)	1

P10	Sticker	P11	Sponge
	QTY		QTY
	1		1

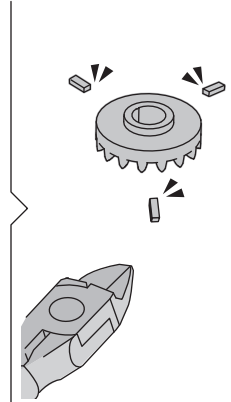
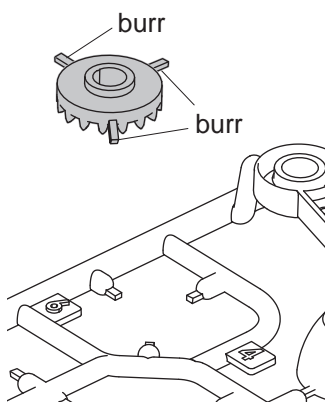
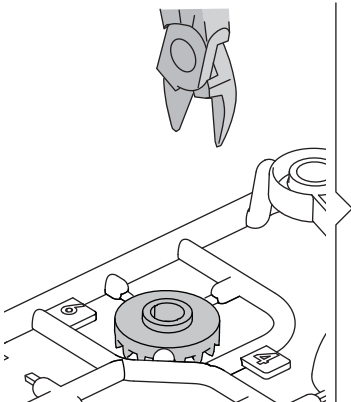
Plastic Parts

! Cut the plastic parts when they are required.
Do not cut them in advance.



Hints

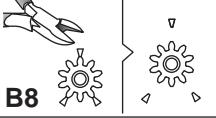
Cut off the burrs before assembly.



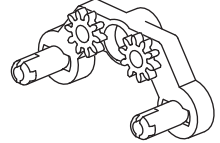
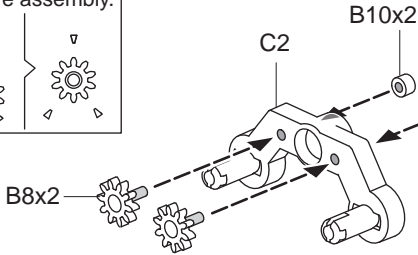
Mechanical Assembly

1

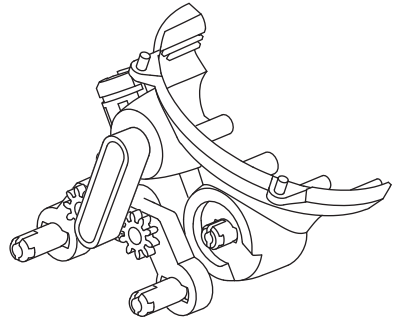
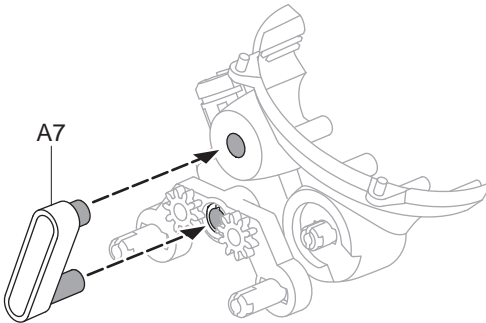
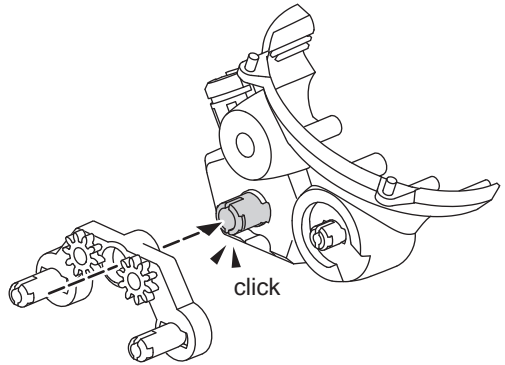
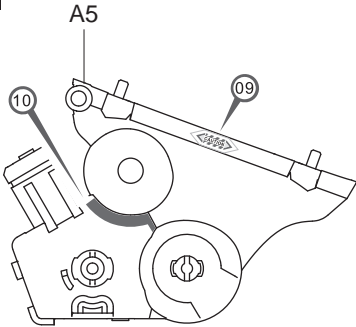
! Cut off B8 burrs before assembly.



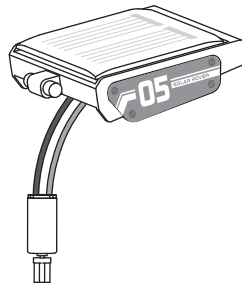
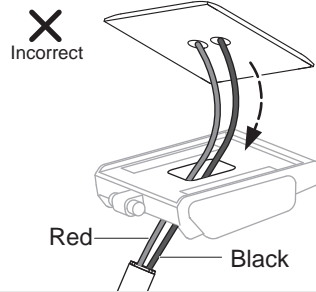
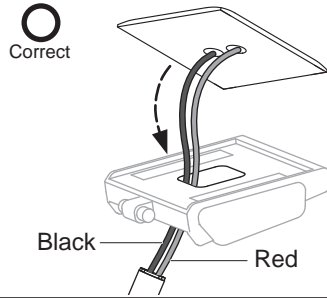
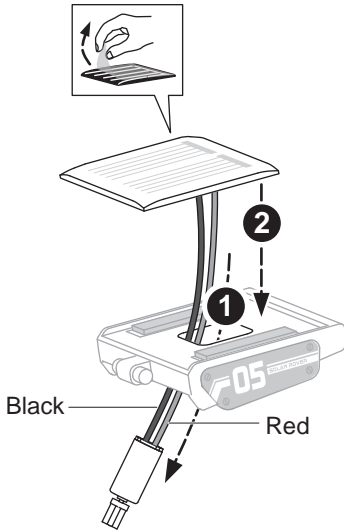
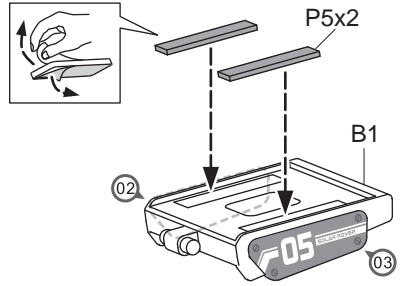
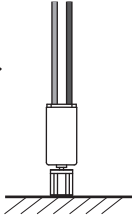
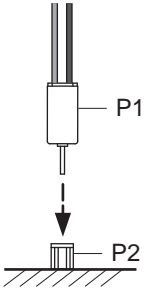
! Cut off B10 burrs before assembly.



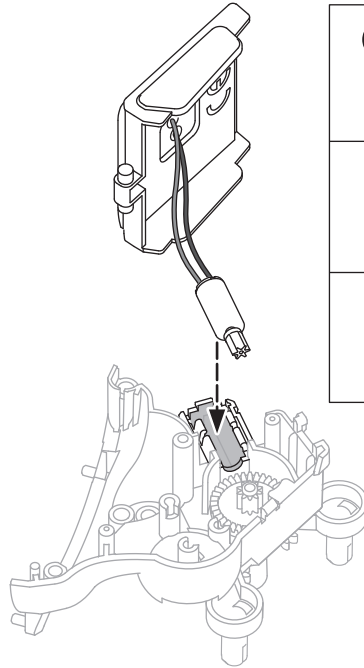
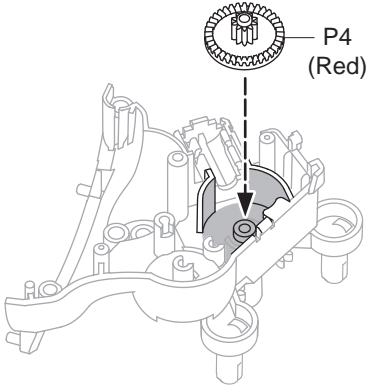
2



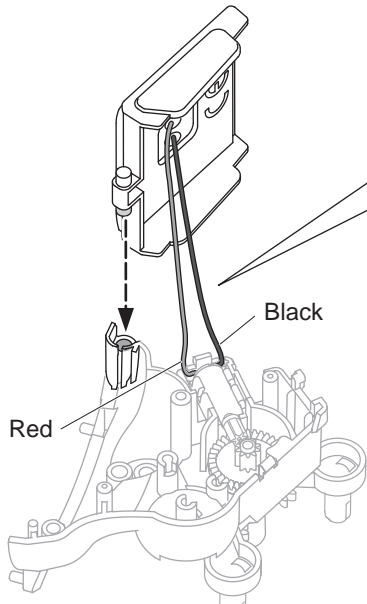
3



4



○ Correct
✗ Incorrect
✗ Incorrect



Correct

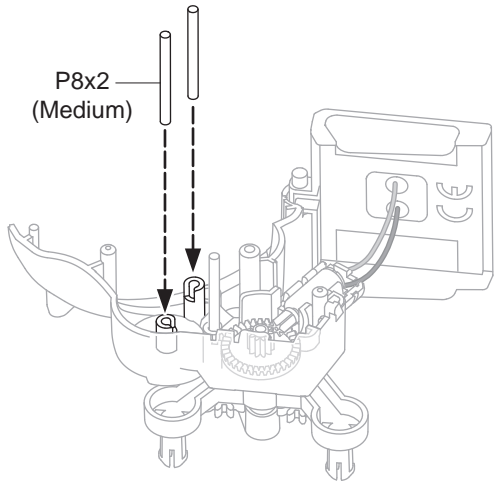
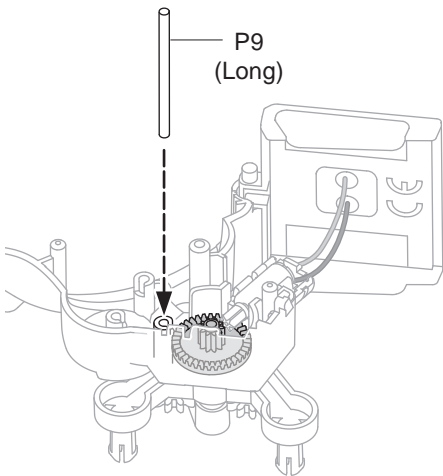
Black

Red

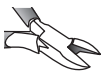
Incorrect

This diagram shows the correct and incorrect ways to connect the Black and Red cables to the gear mechanism. The top part shows the correct way to connect the Black cable to the gear mechanism. The bottom part shows the incorrect way to connect the Red cable to the gear mechanism.

5



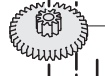
! Cut off C6 burrs before assembly.



C6



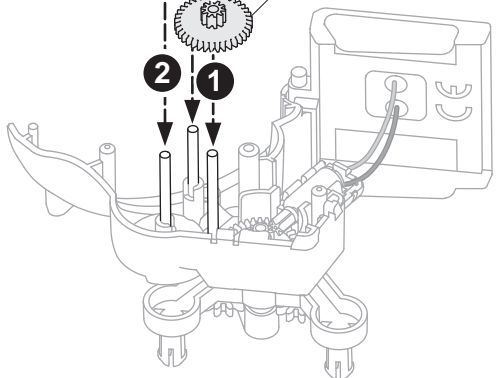
3



2

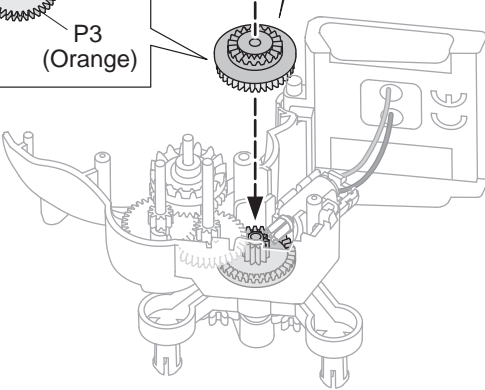
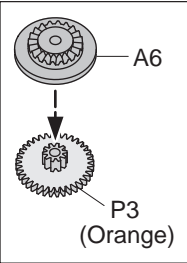
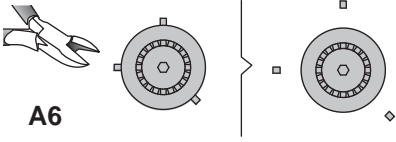


1

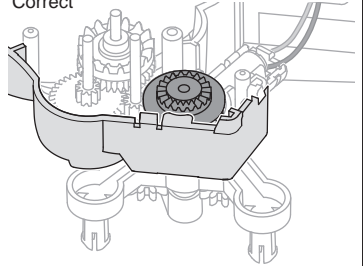


6

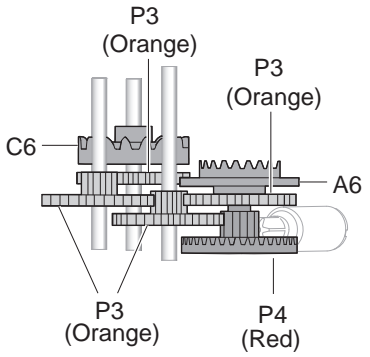
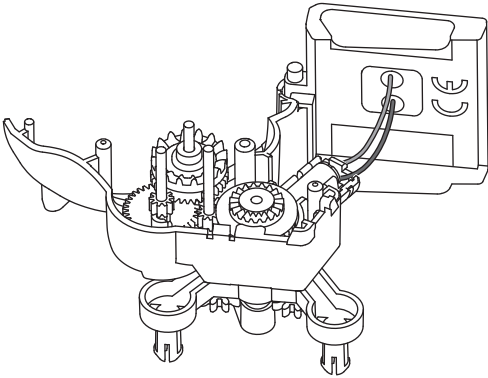
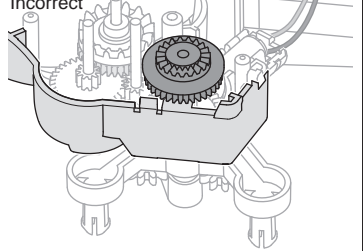
! Cut off A6 burrs before assembly.



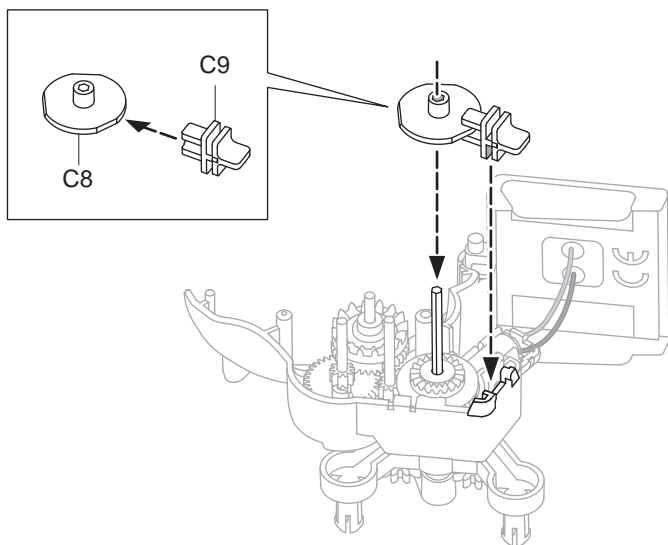
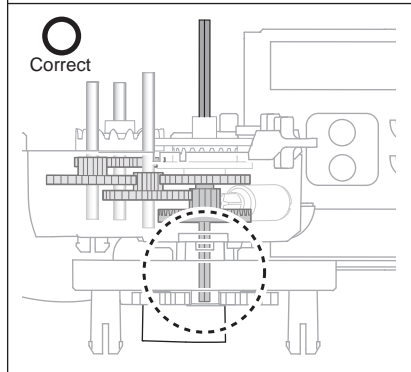
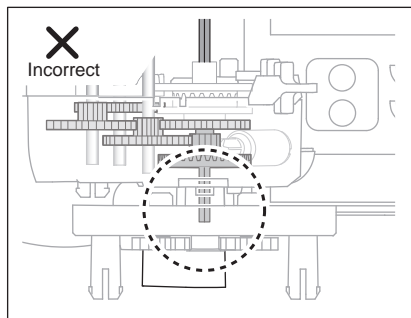
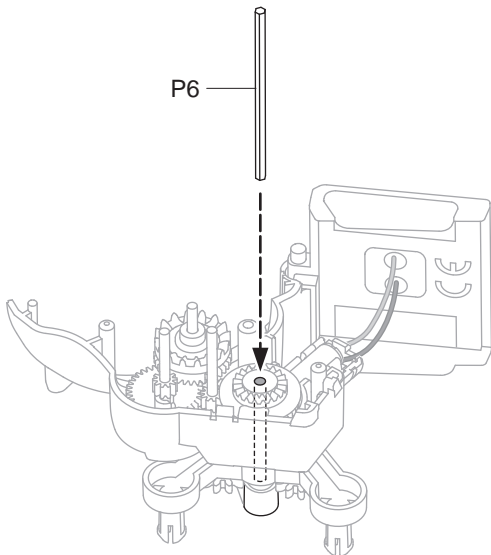
O
Correct

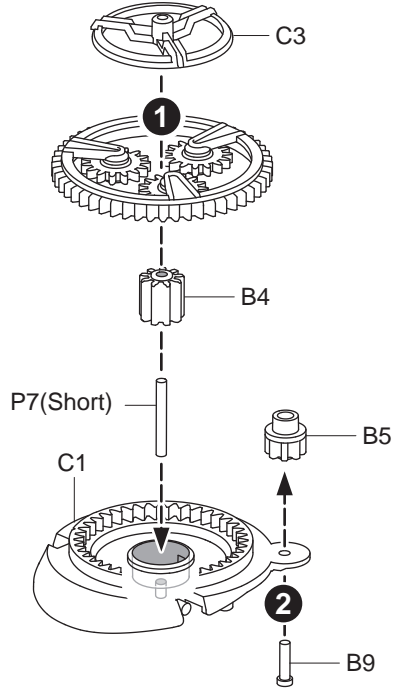
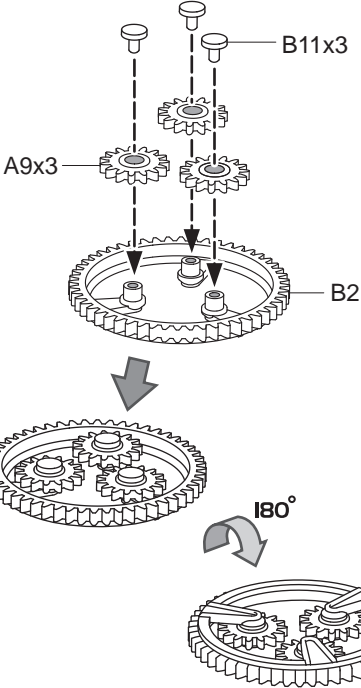
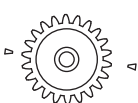
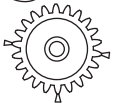
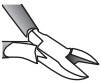
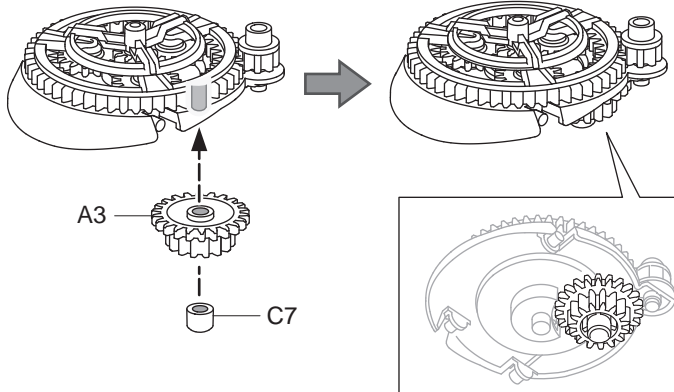


X
Incorrect

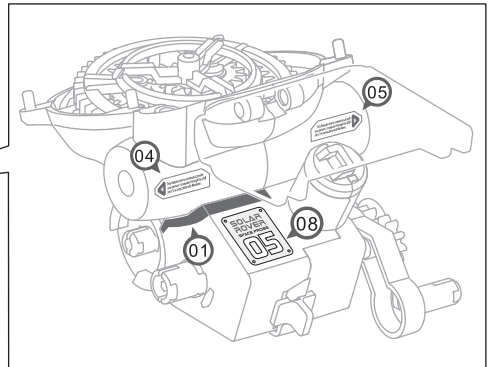
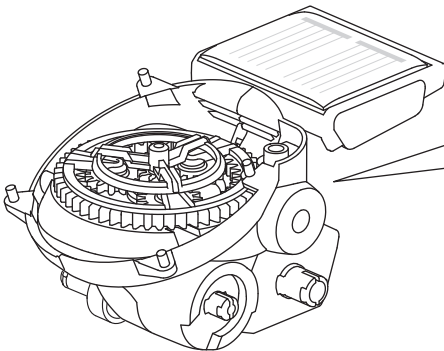
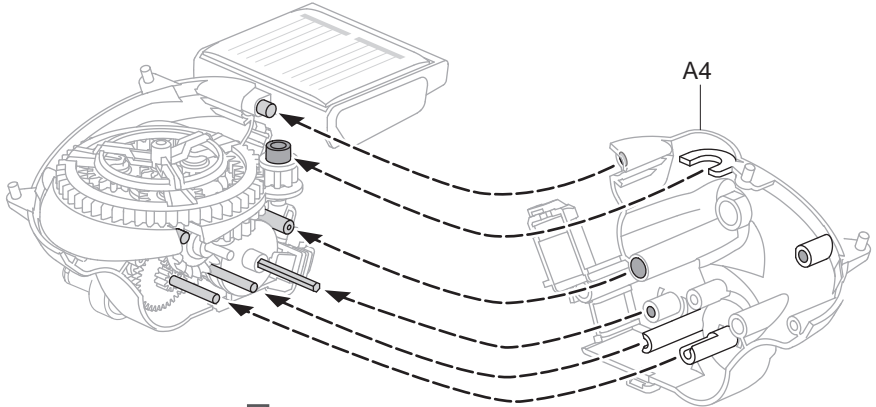
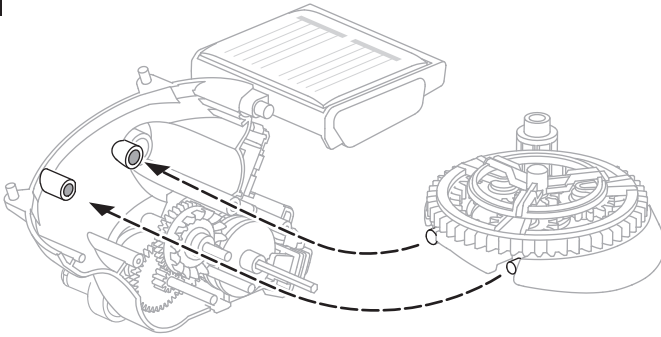


7



8**!** Cut off A9 burrs before assembly.**A9****!** Cut off B4 burrs before assembly.**B4****!** Cut off A3 burrs before assembly.**A3**

9

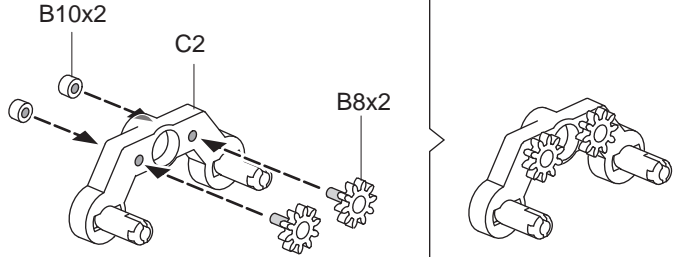


10

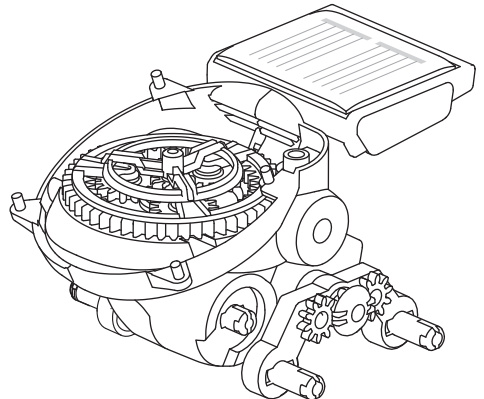
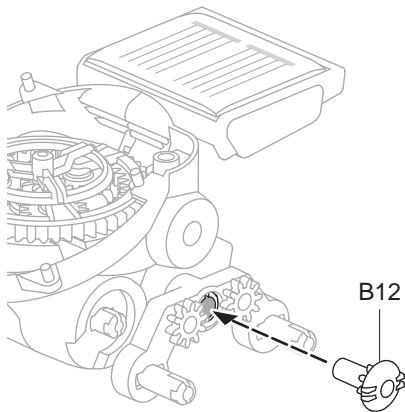
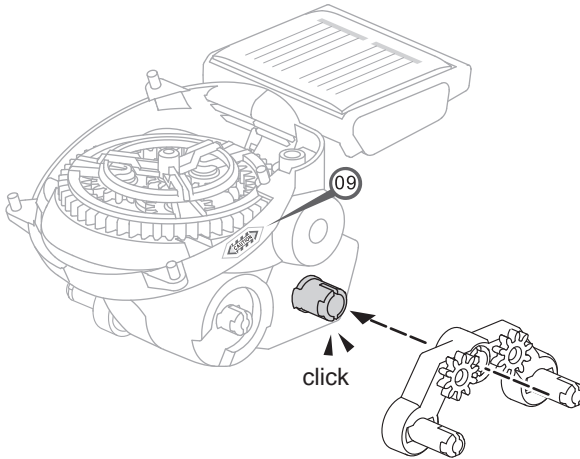
! Cut off B8 burrs before assembly.



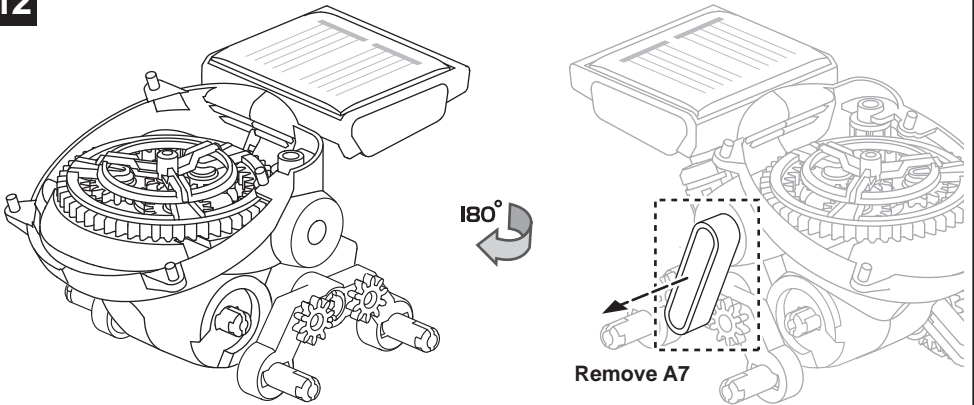
B8



11

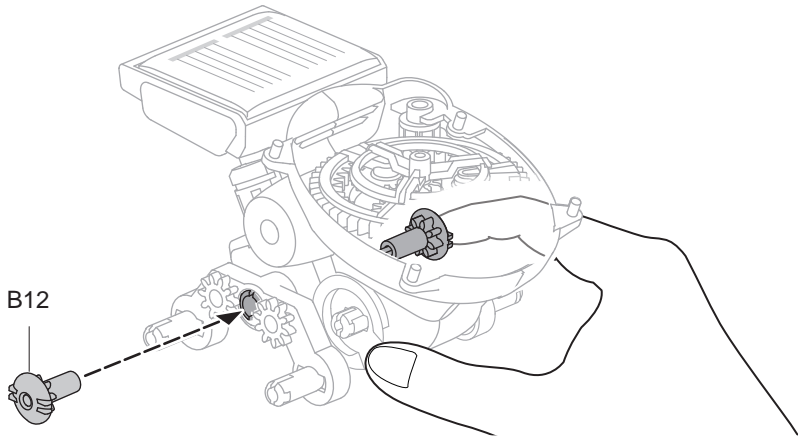


12



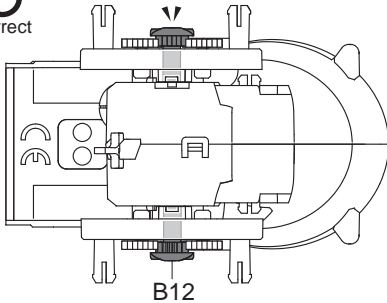
13

Use your finger to hold the other side of B12, it may help you assemble both B12 smoothly.

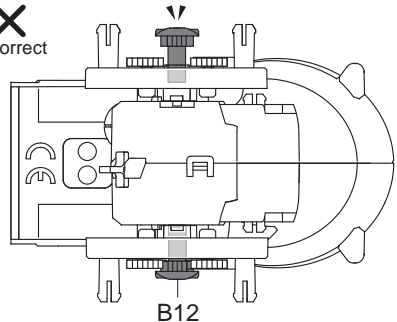


Bottom View

Correct

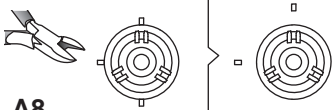


Incorrect

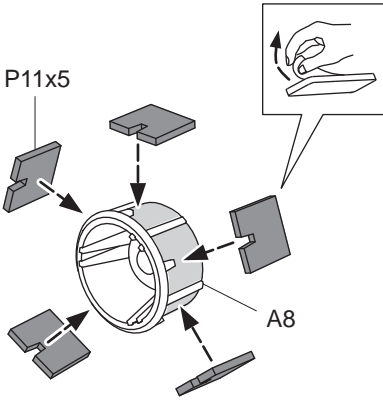


14

! Cut off A8 burrs before assembly.



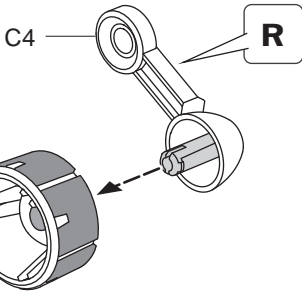
A8



P11x5

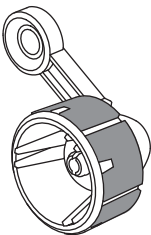


A8



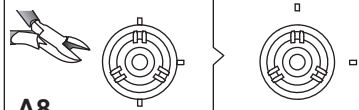
C4

R

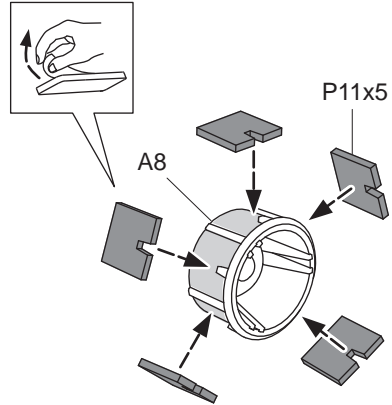


15

! Cut off A8 burrs before assembly.

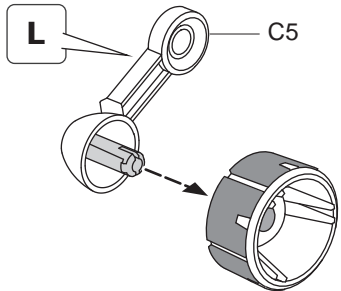


A8



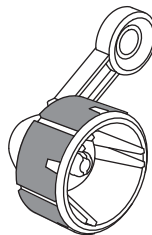
P11x5

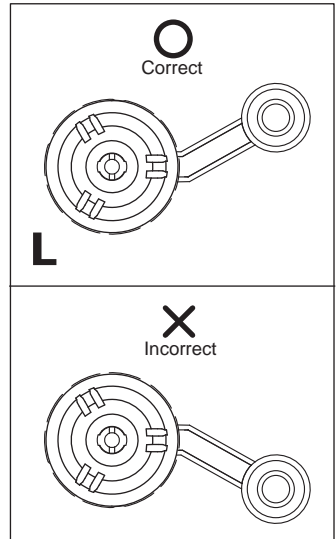
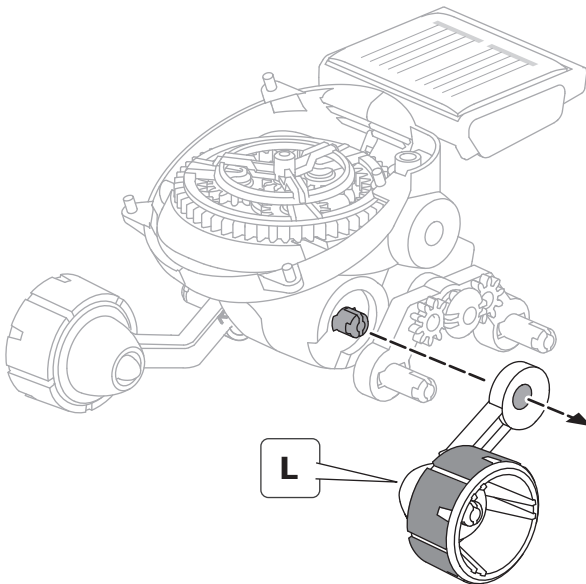
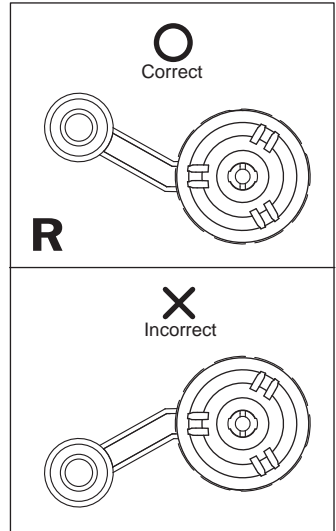
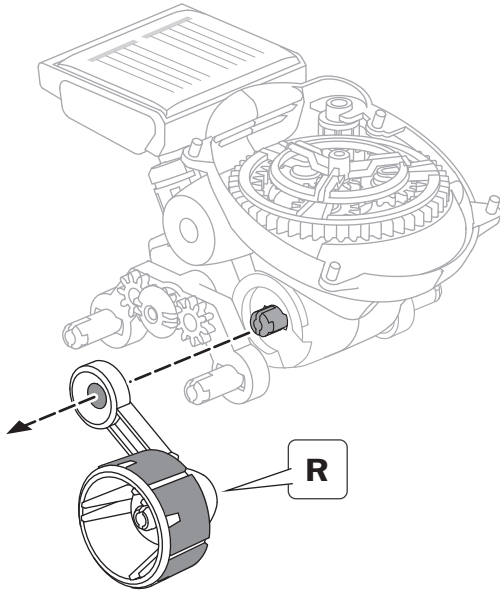
A8



L

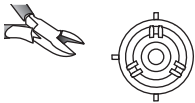
C5





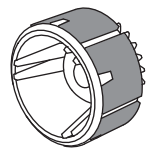
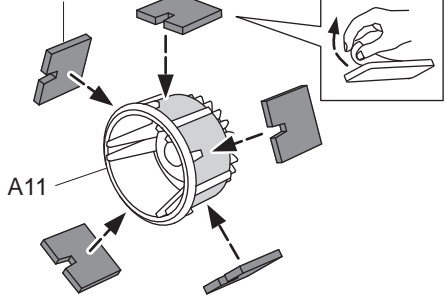
17

! Cut off A11 burrs before assembly.

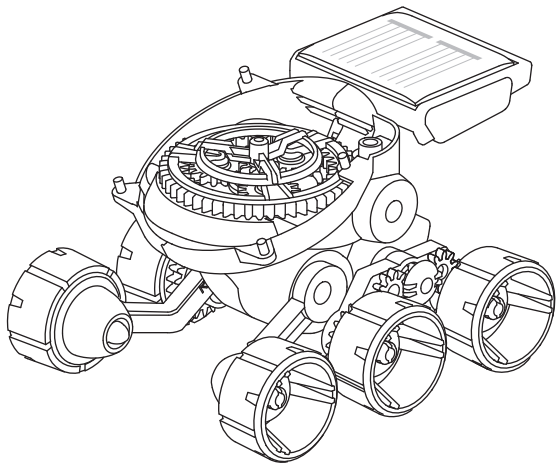
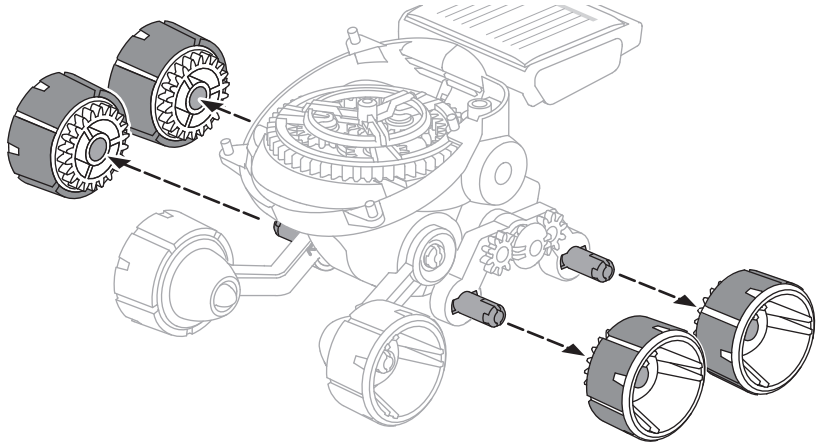


A11

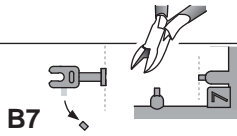
P11x5



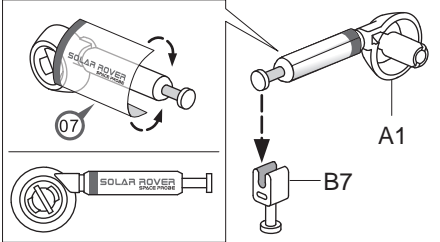
×4



! Cut off the burrs before assembly.



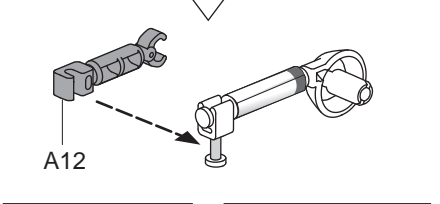
B7



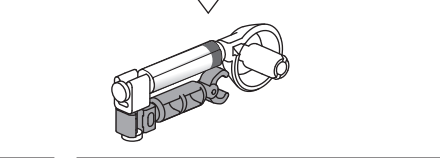
07

A1

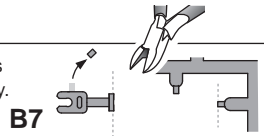
B7



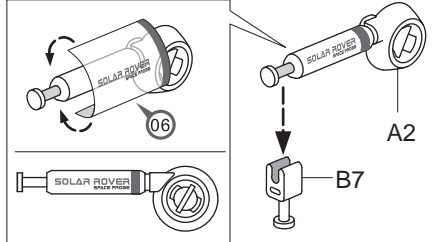
A12



! Cut off the burrs before assembly.



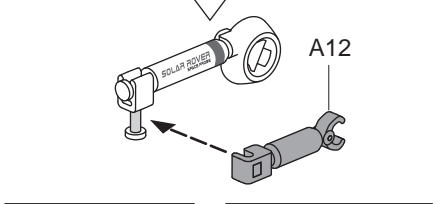
B7



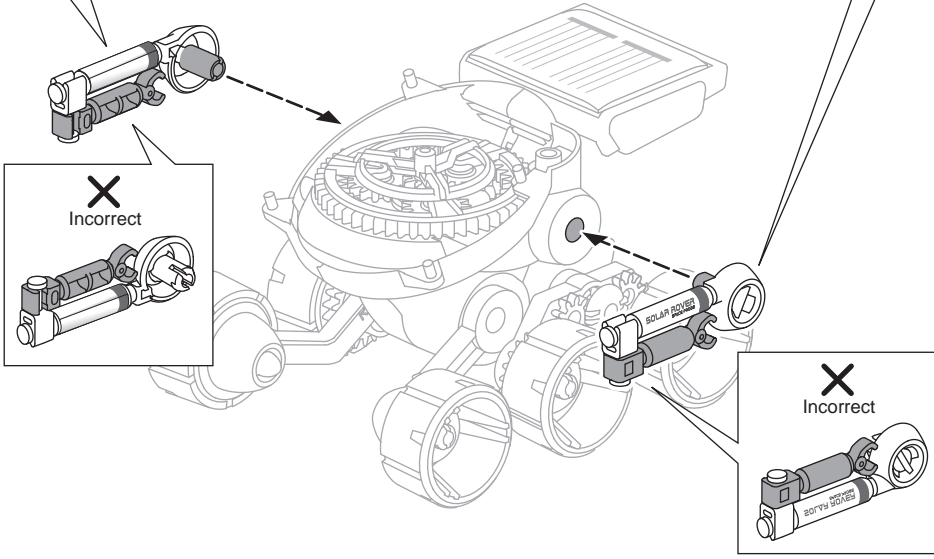
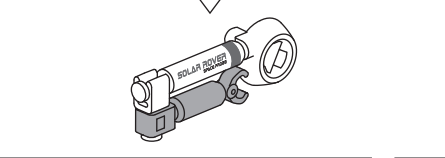
06

A2

B7



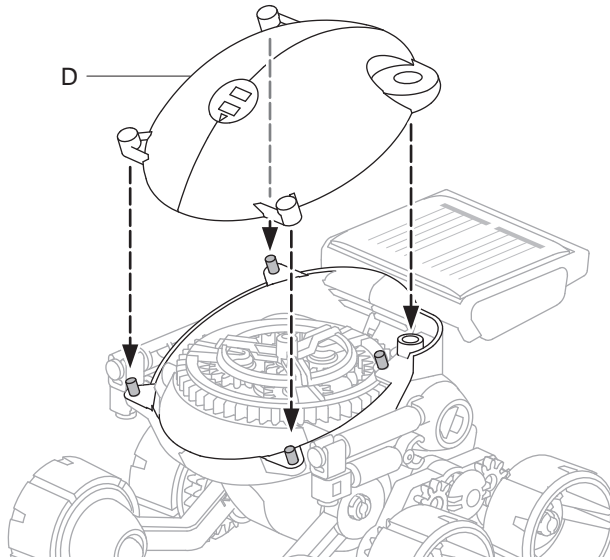
A12



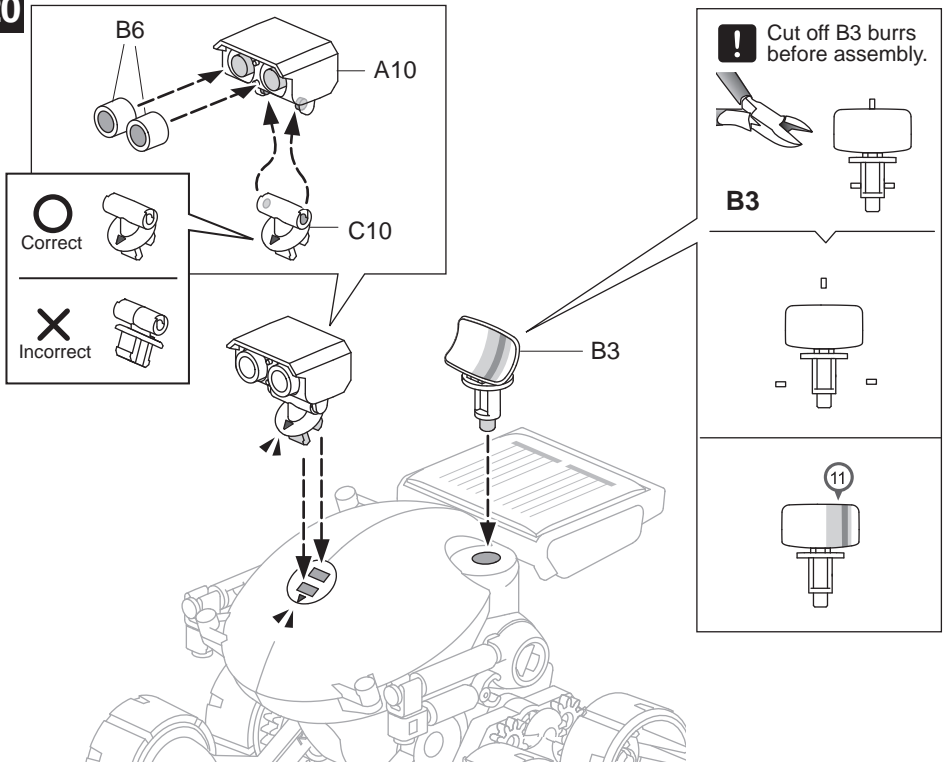
X
Incorrect

X
Incorrect

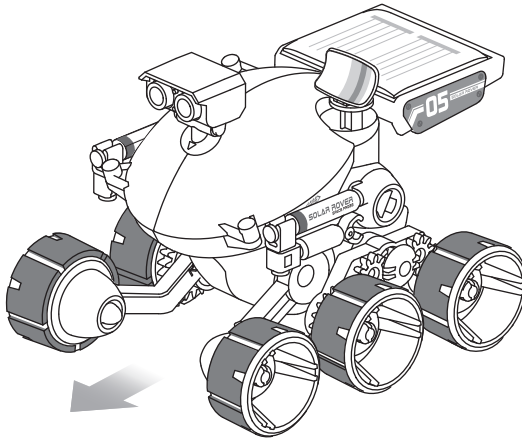
19



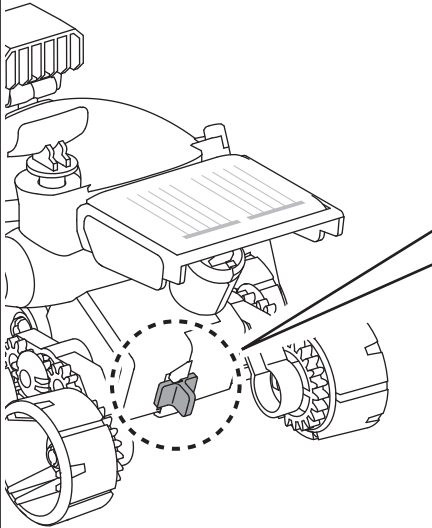
20



21 Running



How To Play



Mode
1

AUTOMATIC MODE

Under direct sunlight, Both Rover and Planetary gears start to run automatically.



Switch to Right

Mode
2

MANUAL MODE

Under direct sunlight, transmission Planetary Gears keep running, but Rover will only run by being pushed manually.

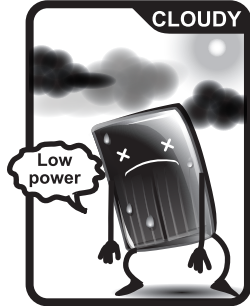
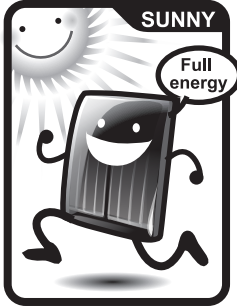


Switch to Left

TroubleShooting

If it doesnot run smoothly, please check if all burrs are cut thoroughly.

It's time to have some FUN !



1. Take outside under direct sunlight. Best results are obtained when operated on a sunny day.
2. For indoor fun, use a 50 watt halogen light. The product will not run on a cloudy day, shaded locations, indirect sunlight, or under a Fluorescent light.

SOLAR ROVER



CE

WARNING :
CHOKING HAZARD
Small parts
Not for children under
3 years

