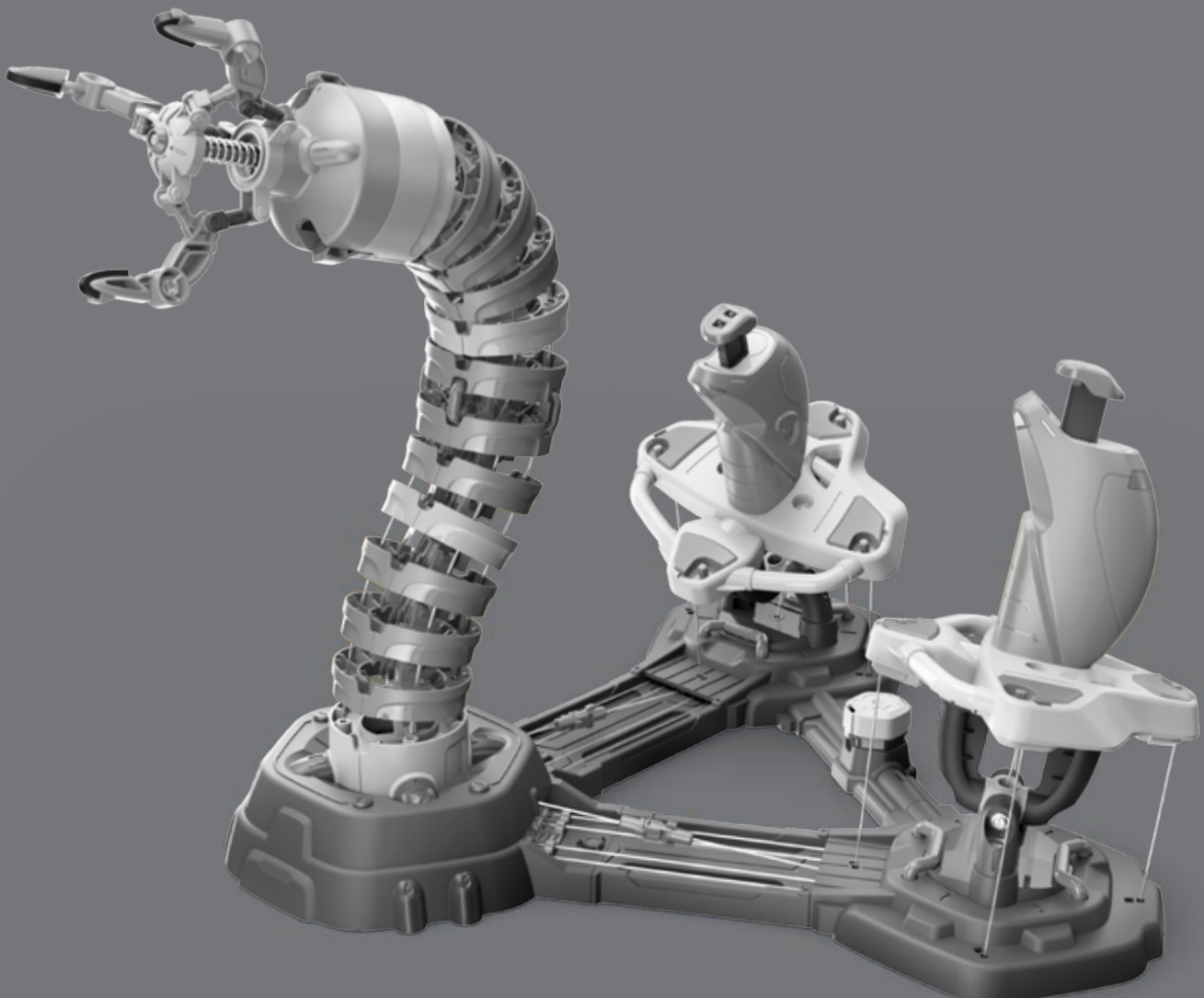




SOFTTUBE ROBOTIC ARM

Unleash full-angle and boundless flexibility in every move



Assembly & Instruction **Manual**

Keep the manual for future reference



Assembly video

Contents

Product Introduction	1
Tools You May Need	1
Mechanical Parts List	1
Plastic Parts	1
Read it Before Assembly	2
Shrimp Assembly	3
Adjustment Tool Assembly	3
How to Measure and Cut the Nylon String	4
String Buckle Assembly	4
Gripper Buckle Assembly	4
Gear Buckle Assembly	5
Rotary Buckle Assembly	5
Right Joystick Assembly	6
Left Joystick Assembly	11
Claw Assembly	16
Garden Eel Assembly	17
Arm Assembly	19
Final Assembly	36
How to Adjust the Length of the Nylon String	44
How to Change the Claw to Garden Eel	49
How to Change Garden Eel to the Claw	51
Warning	53
How to Play	54
Trouble Shooting	55

Product Introduction

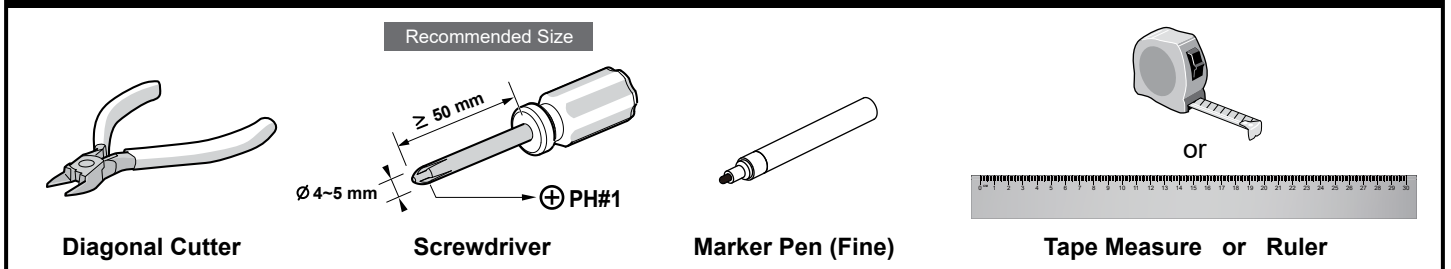
In sci-fi movies or animations, we often encounter futuristic and mysterious tubular bio-mechanics that seem to have been infused with life, exhibiting flexible movements resembling trunk-like noses or octopus tentacles. It inevitably sparks curiosity about how these seemingly inorganic machines operate with a lifelike, soft demeanor. Can these bio-mechanics truly come to life in the real world?

Introducing the Softtube Robotic Arm, a mechanical arm toy powered solely by the tension of nylon strings. Simulating the contraction and extension of animal muscles through these nylon strings, it replicates the natural dynamics of living organisms. Operating within a 360-degree range, the arm can freely swing in any direction, allowing it to approach targets with a variety of motions and angles. The arm is divided into upper and lower segments, controlled intuitively by the left and right joysticks to bend at different angles, creating a multitude of bending combinations. The buttons on the joysticks trigger the opening, closing, and rotation of the front-end gripper.

There're two different play modes of Softtube Robotic Arm. The first play mode is the "Claw", which not only grasps objects like a traditional robotic arm but also utilizes the segmented bending structure to navigate around obstacles and grab objects behind. The second play mode is the "Garden Eel," an imaginative mode where players interact with a garden eel companion. Engage in activities like feeding (with shrimp), playing games, and dancing, unleashing your imagination to create rich storytelling scenarios!


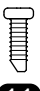


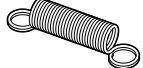
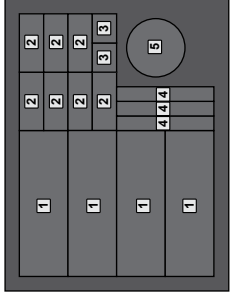


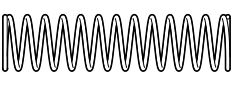
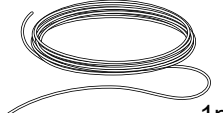
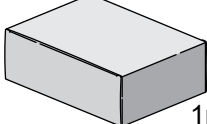
Eager to experience the joy of the Softtube Robotic Arm? The time is now! Get your tools and abundant curiosity ready, step by step, assemble it and immerse yourself in the freedom of twisting and unlimited creative play!

Tools You May Need



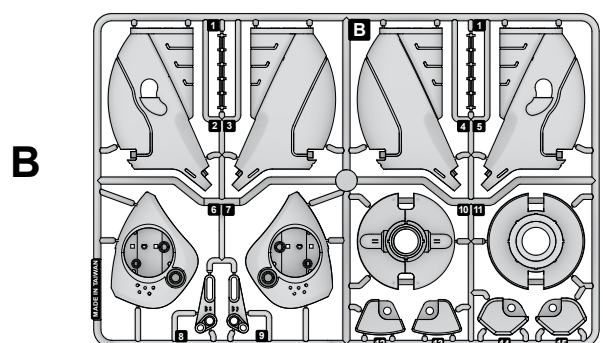
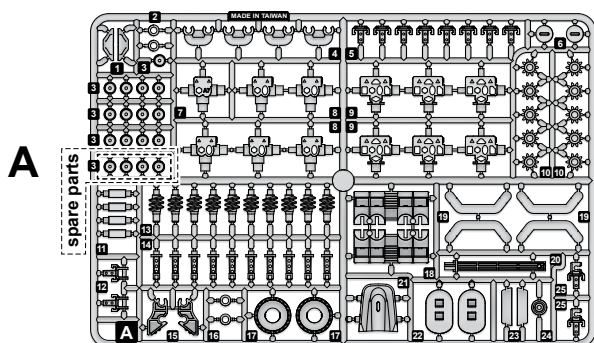
Mechanical Parts List

! Product contains functional edges and sharp points.

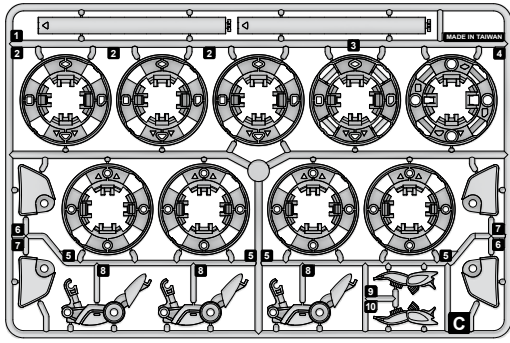
P1	Tapping Screw	P2	Tapping Screw	P3	Spring	P7	Sponge	P8	Compression Spring
	 1:1 39 pcs		 1:1 12 pcs		1 pc				1:1
	 1pc		1pc	1 pc	1 pc				

Plastic Parts

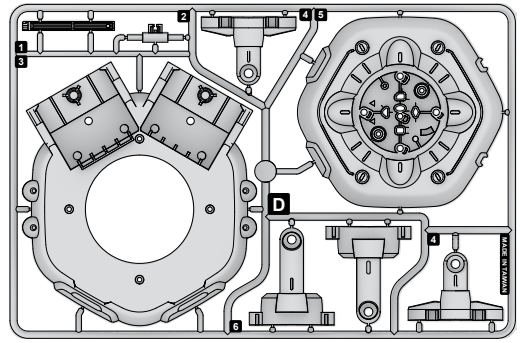
! Cut the plastic parts when they are required. Do not cut them in advance.



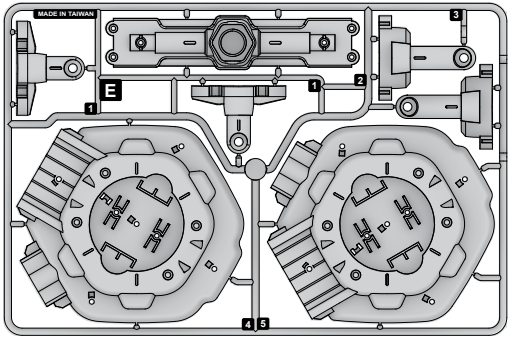
C



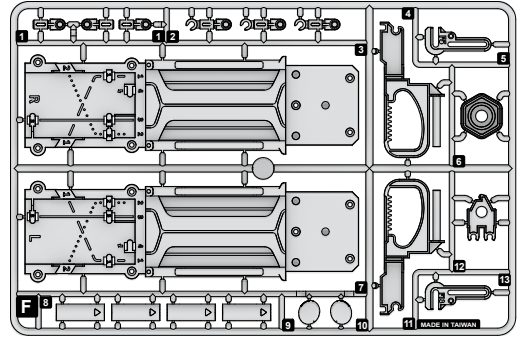
D



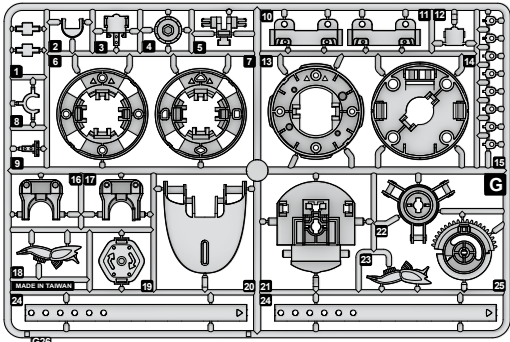
E



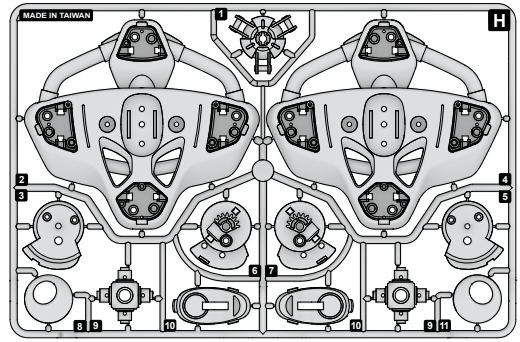
F



G



H



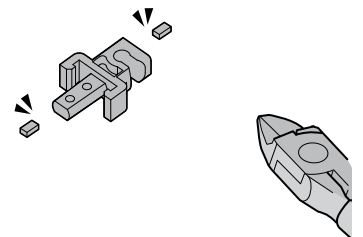
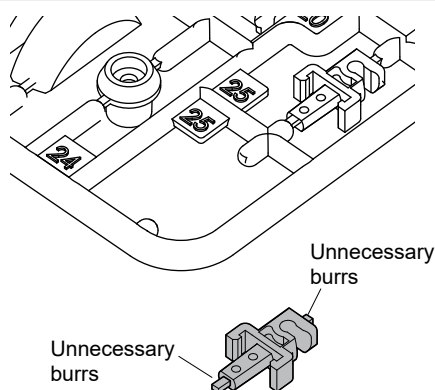
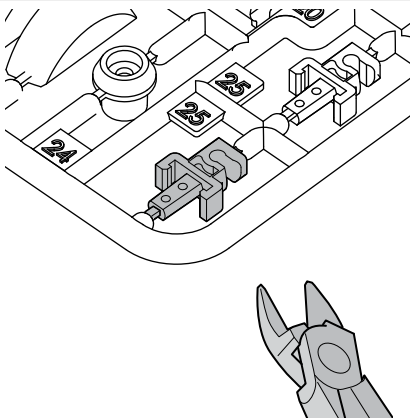
Must-know

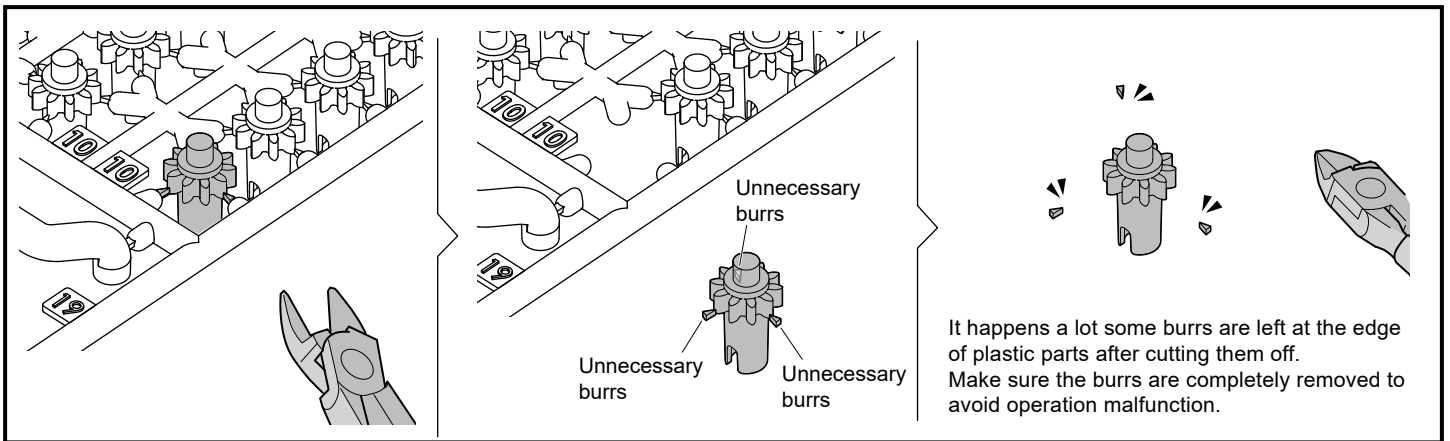


Read it Before Assembly

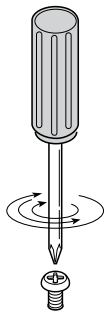
Please read through and follow the tips below before assembly.

Remove burrs





Fasten tapping screws



Use corresponding (size-compatible) screwdriver. By following steps below, you can fasten the tapping screws perfectly.

Put the screwdriver towards the top of screws.

- (1) Screw in
- (2) Feel the tension getting higher
- (3) Keep screwing

Repeat until screws are tightly fastened.



Please lock screws all the way down to the bottom. If they are not fastened tightly enough, parts may come off. The product may consequently not work.



Correct



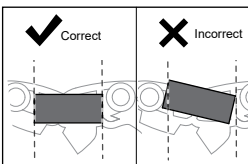
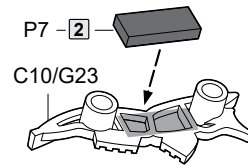
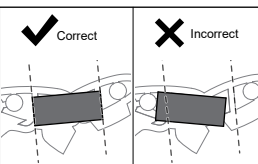
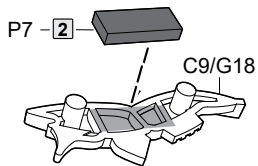
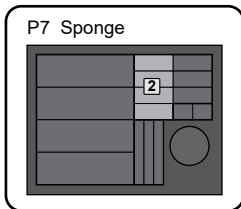
Incorrect

Shrimp Assembly

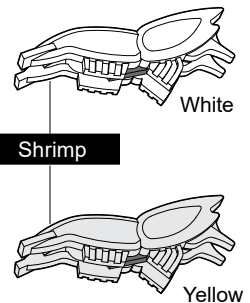
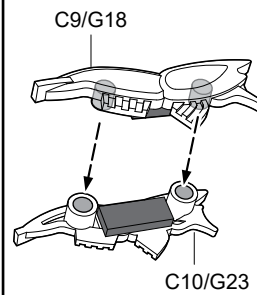


Assembly Tip

1



2

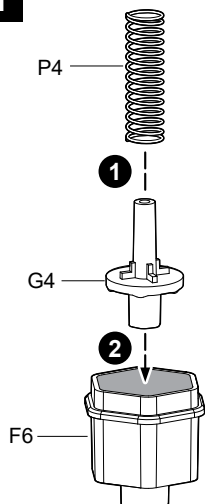


Adjustment Tool Assembly

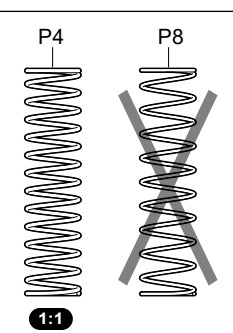


Assembly Tip

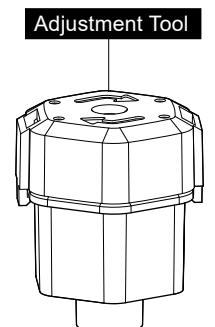
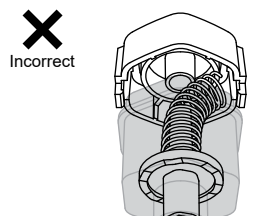
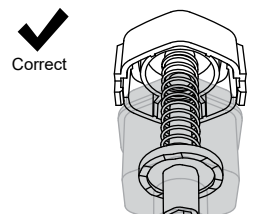
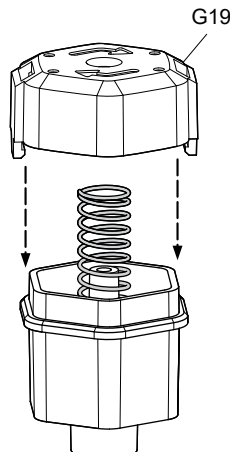
1



Don't mix up P4 & P8.



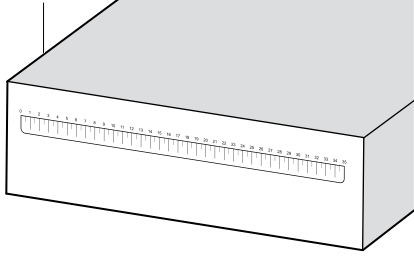
2



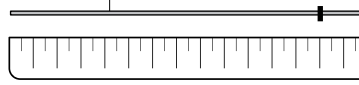
How to Measure and Cut the Nylon String

1 Measuring & Cutting

P6
Colored Box

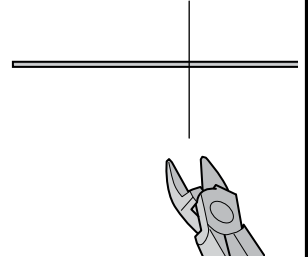


P5
Nylon String
(approx. 800cm)
(approx. 315inches)



Marker Pen (Fine)

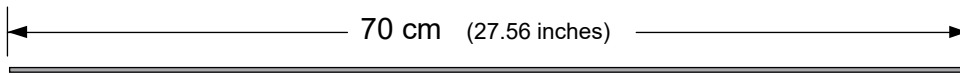
2 Cut String



String Buckle Assembly



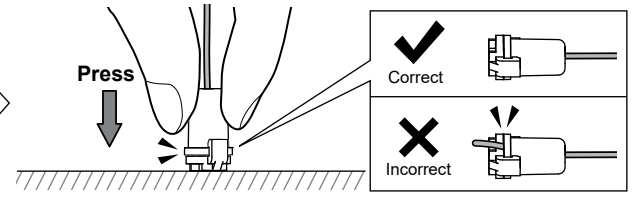
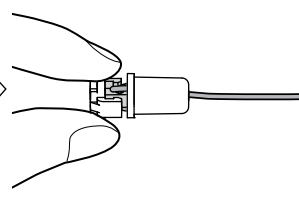
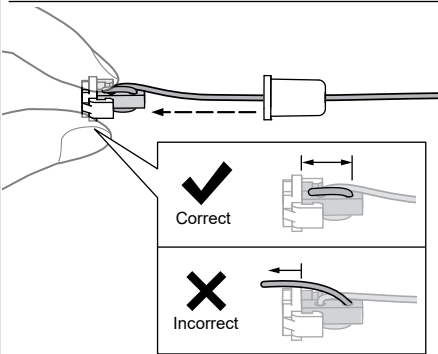
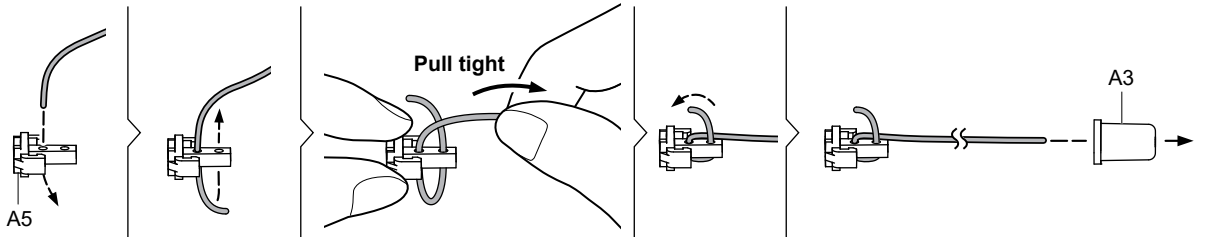
Assembly Tip



String **x8**
70 cm

! Cut off the burrs before assembly.

A5



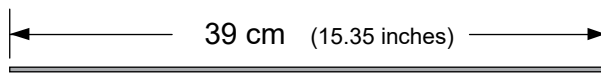
String Buckle



Gripper Buckle Assembly



Assembly Tip



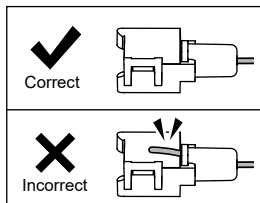
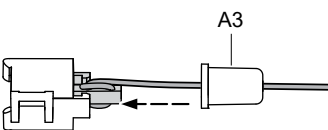
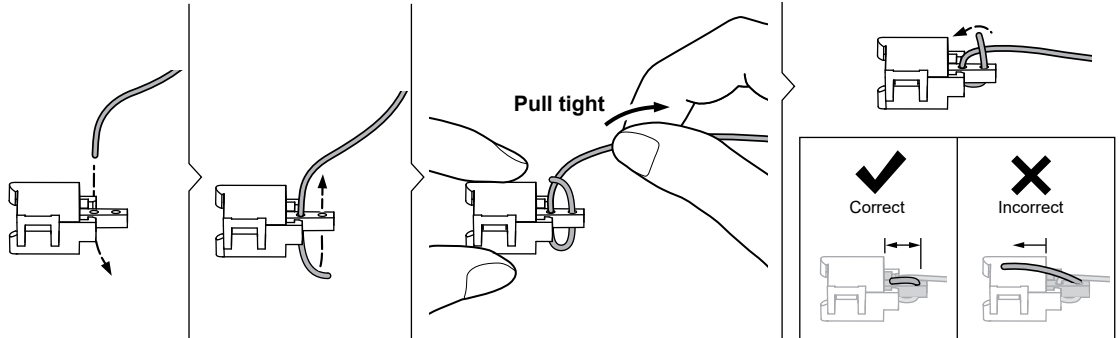
String **x1**
39 cm

G12

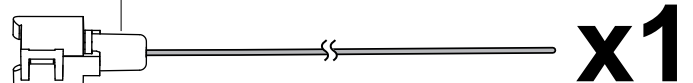
G3

! Cut off the burrs before assembly.

G3



Gripper Buckle



Gear Buckle Assembly

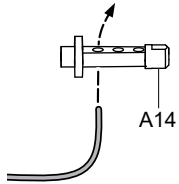
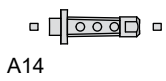


Assembly Tip

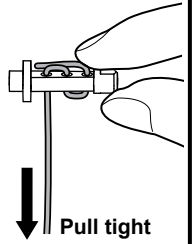
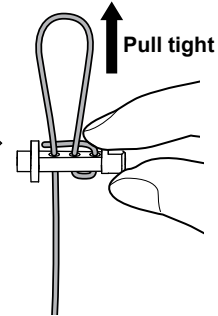
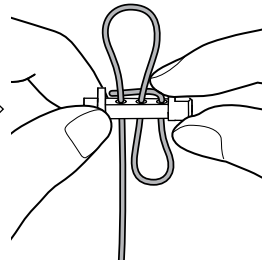
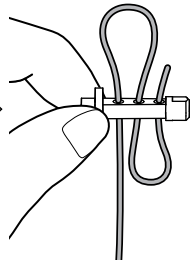
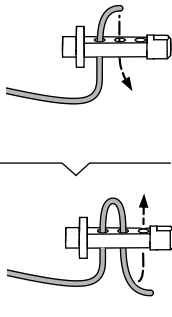
35 cm (13.78 inches)

String 35 cm **x2**

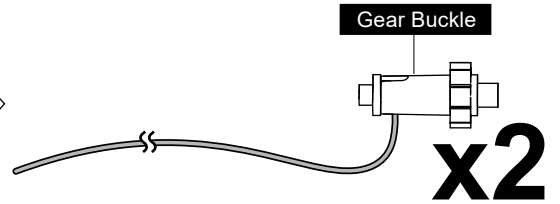
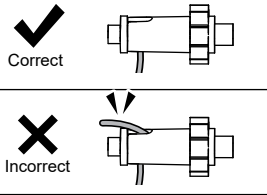
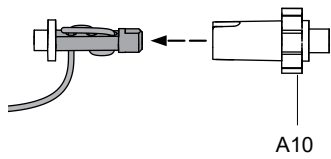
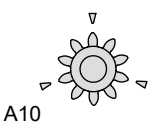
! Cut off the burrs before assembly.



Adjust the string length



! Cut off the burrs before assembly.



Rotary Buckle Assembly

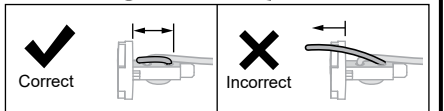
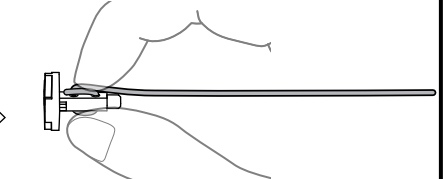
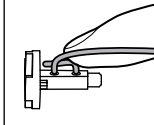
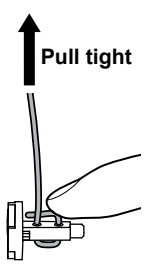
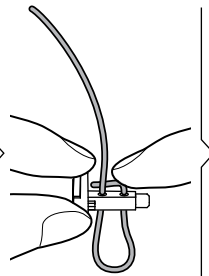
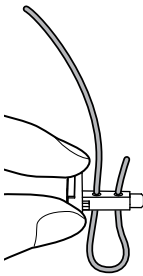
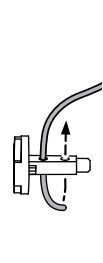
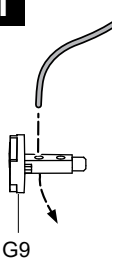


Assembly Tip

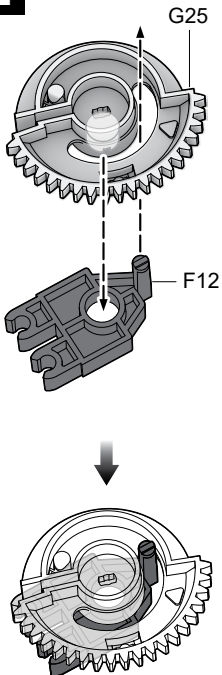
47 cm (18.5 inches)

String 47 cm **x1**

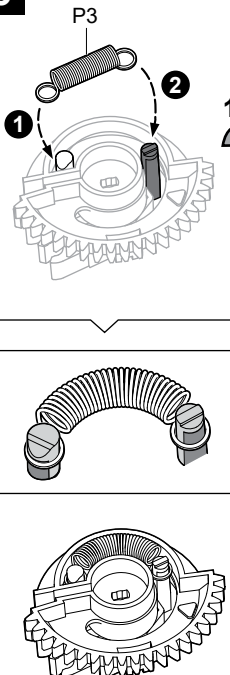
1



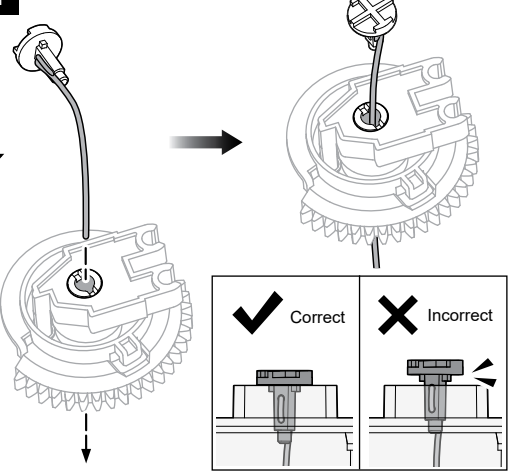
2



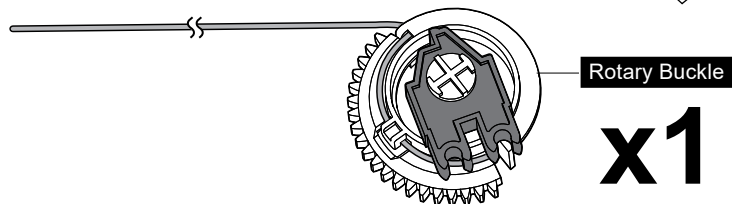
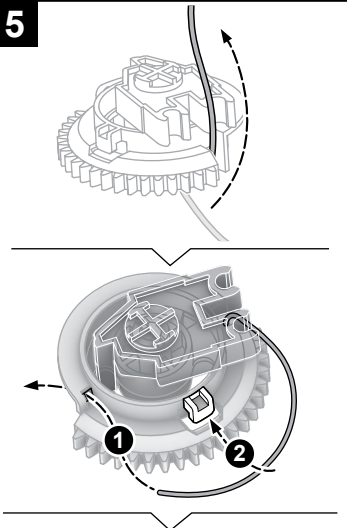
3



4



5

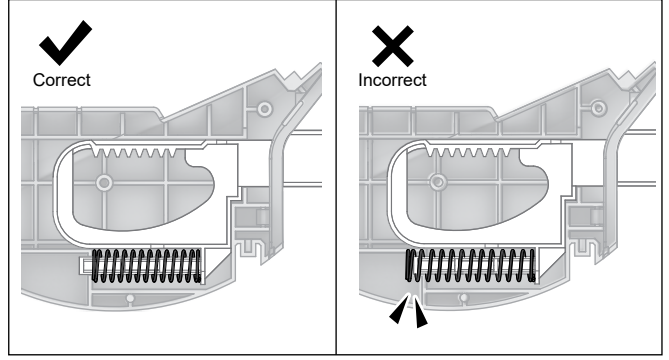
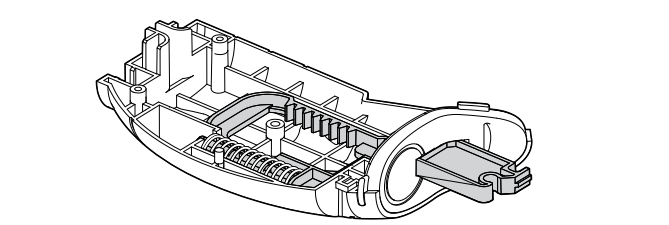
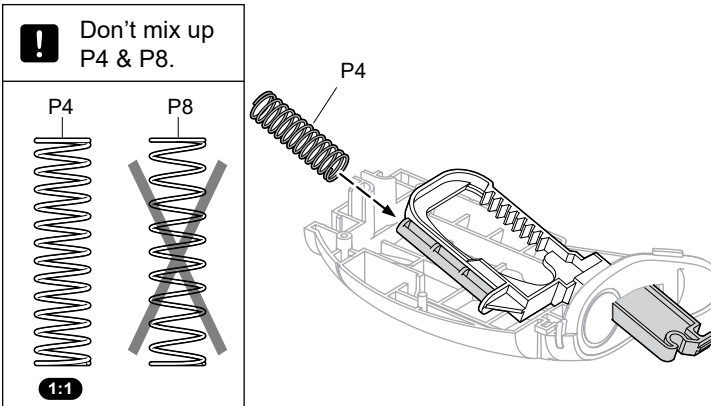
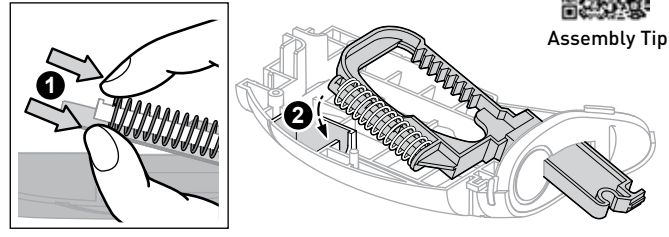
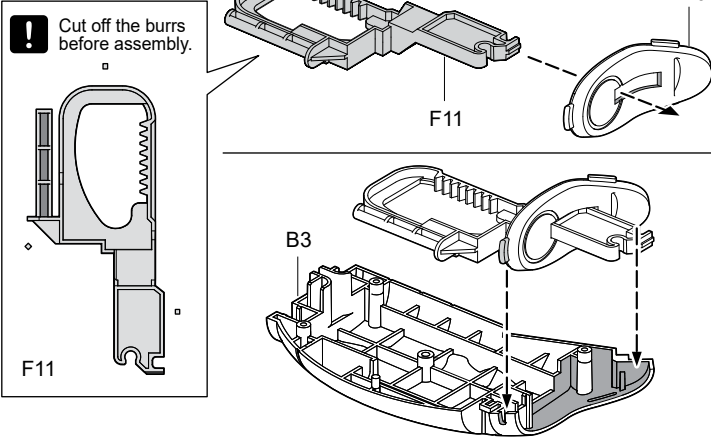


Right Joystick Assembly

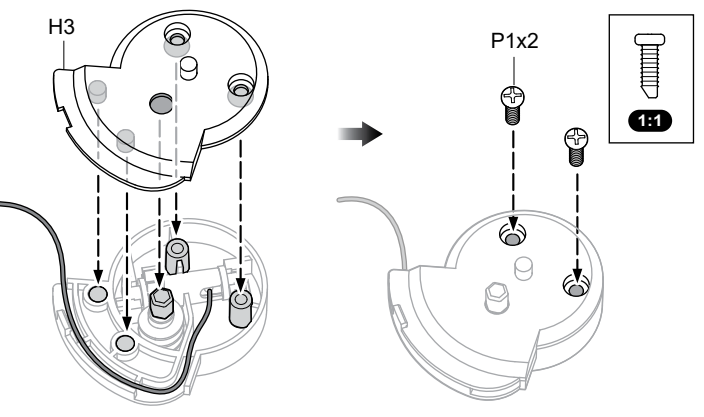
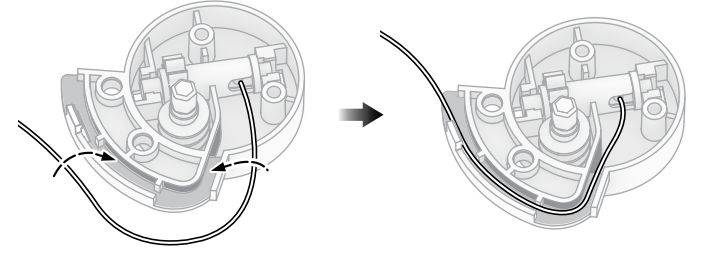
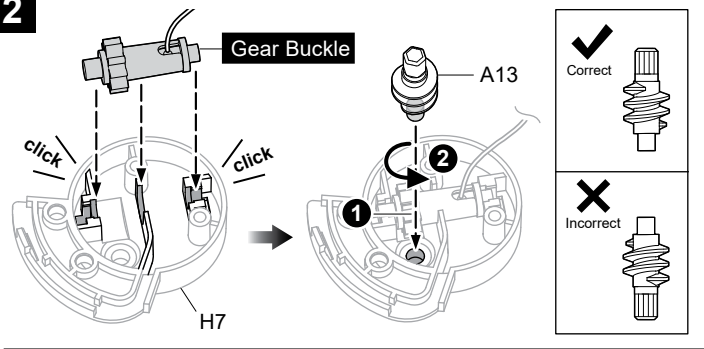


Assembly Tip

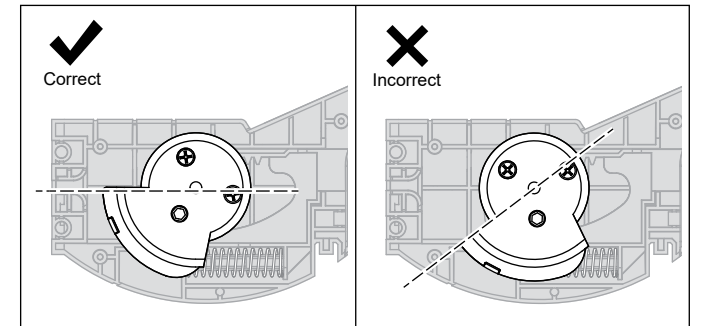
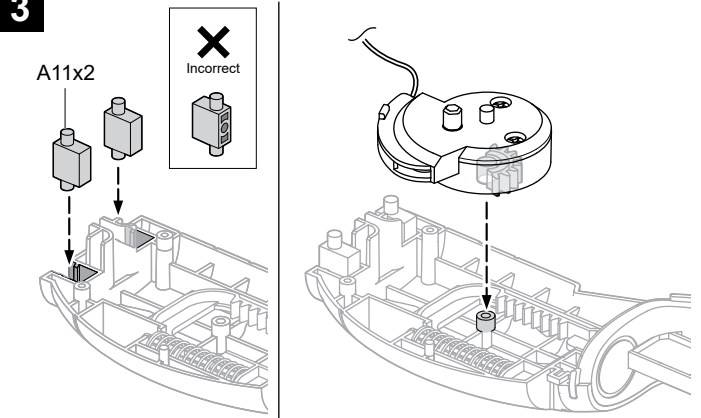
1



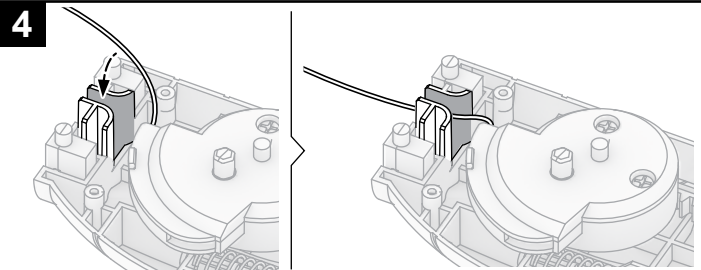
2

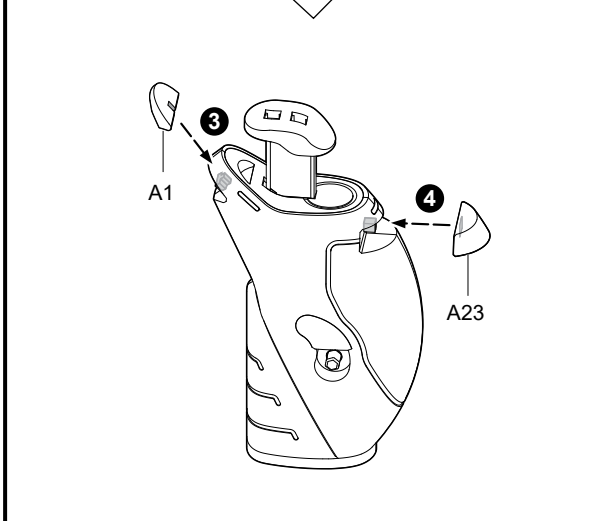
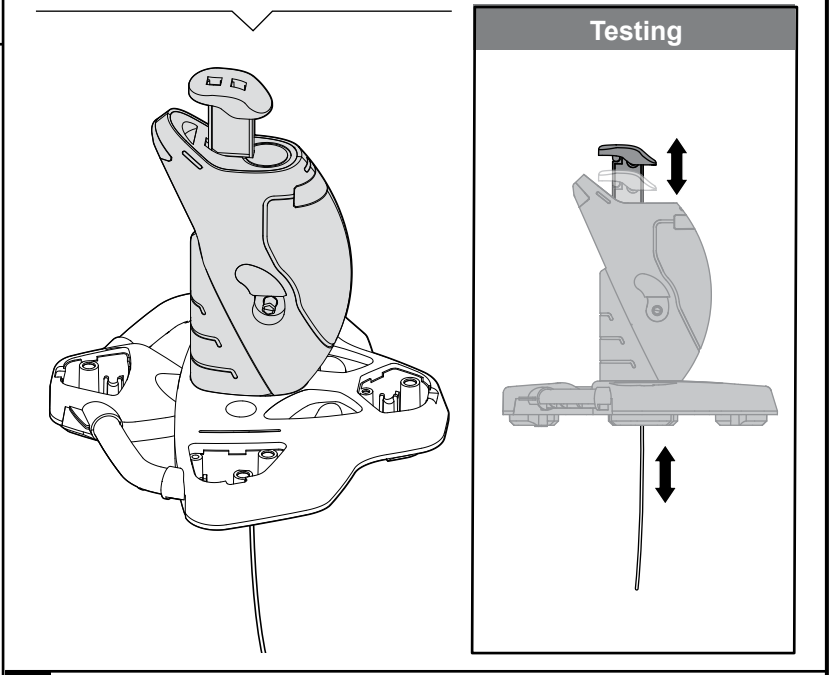
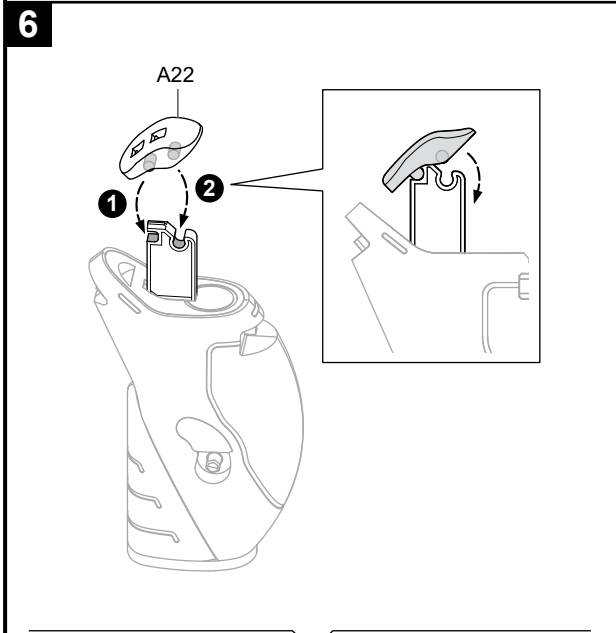
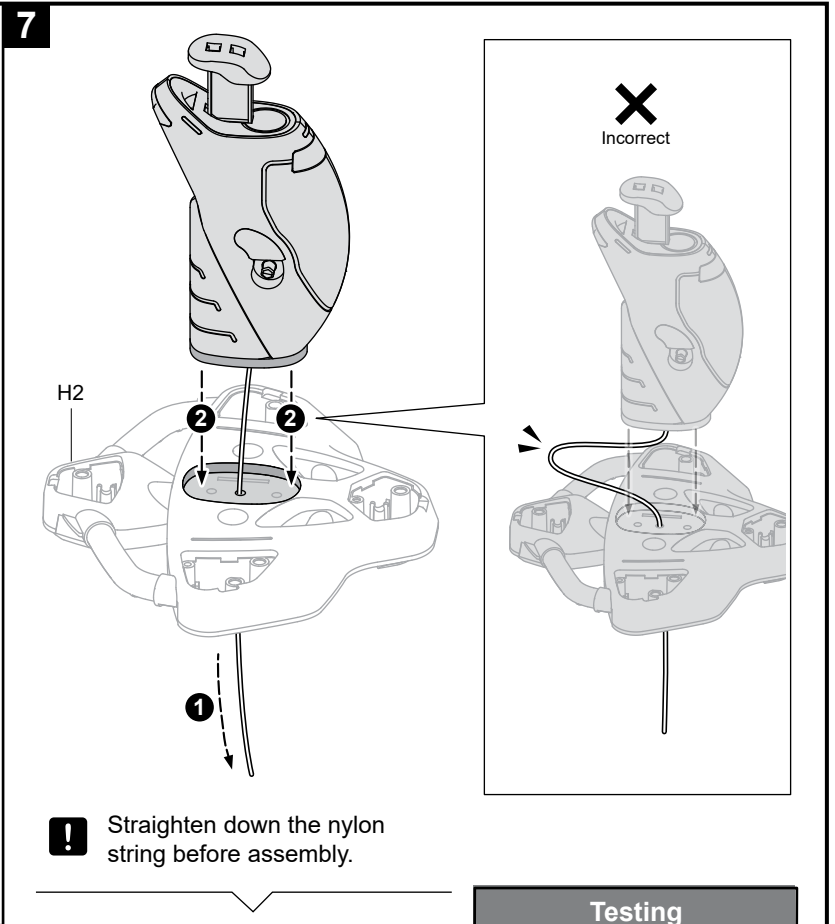
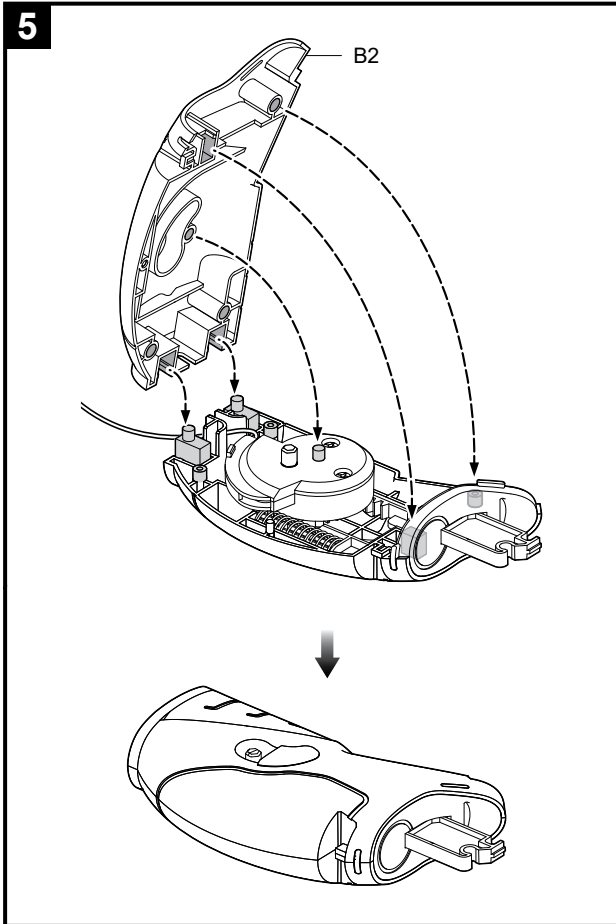


3



4





9

!
Cut off the burrs before assembly.

G15

G15x4

H9

10

D6

A16

E3

P2x4

1:1

11

D4

A2

E1

!

After tightening P2x4, loosen it half a turn counterclockwise.

12

Incorrect

2

2

1

!

Straighten down the nylon string before assembly.

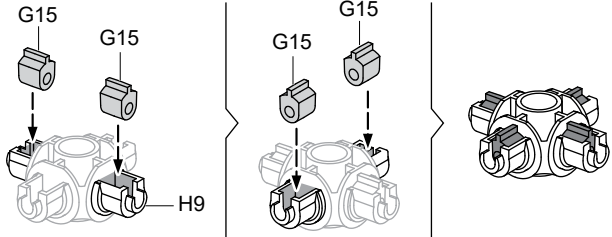
P1x2

1:1

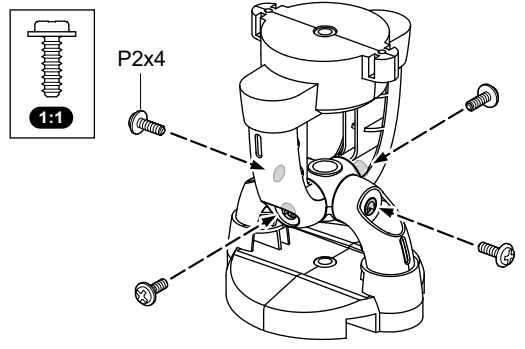
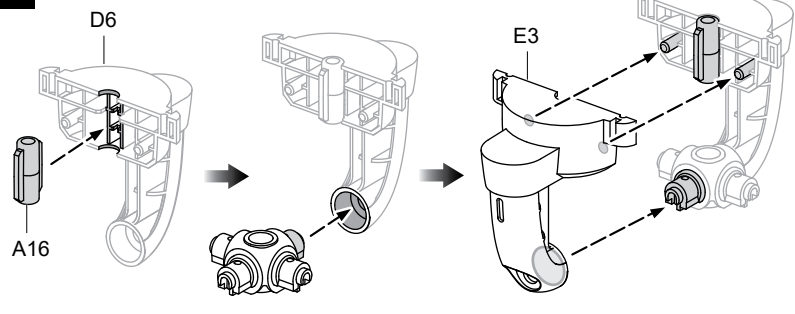
9

!
Cut off the burrs
before assembly.

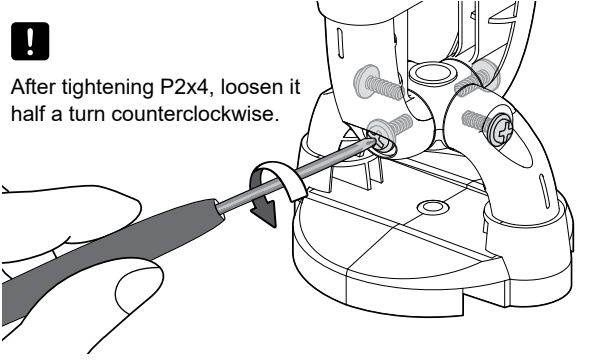
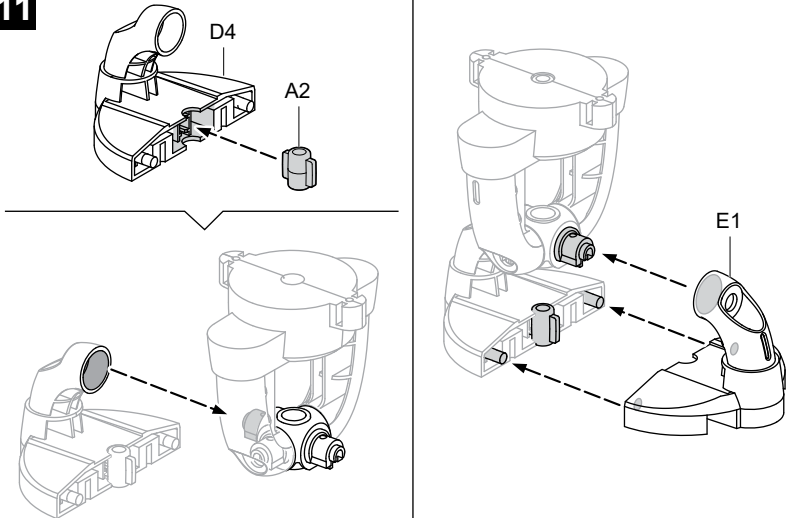
G15



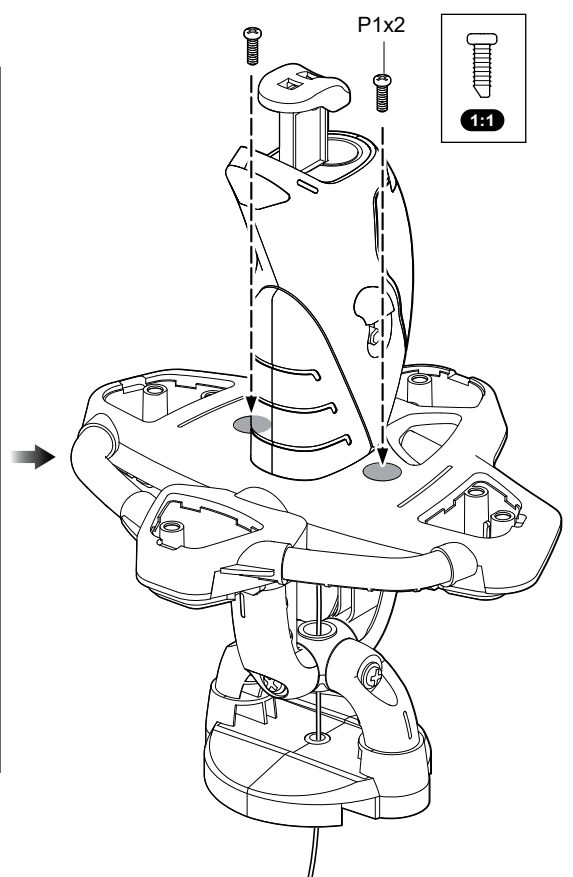
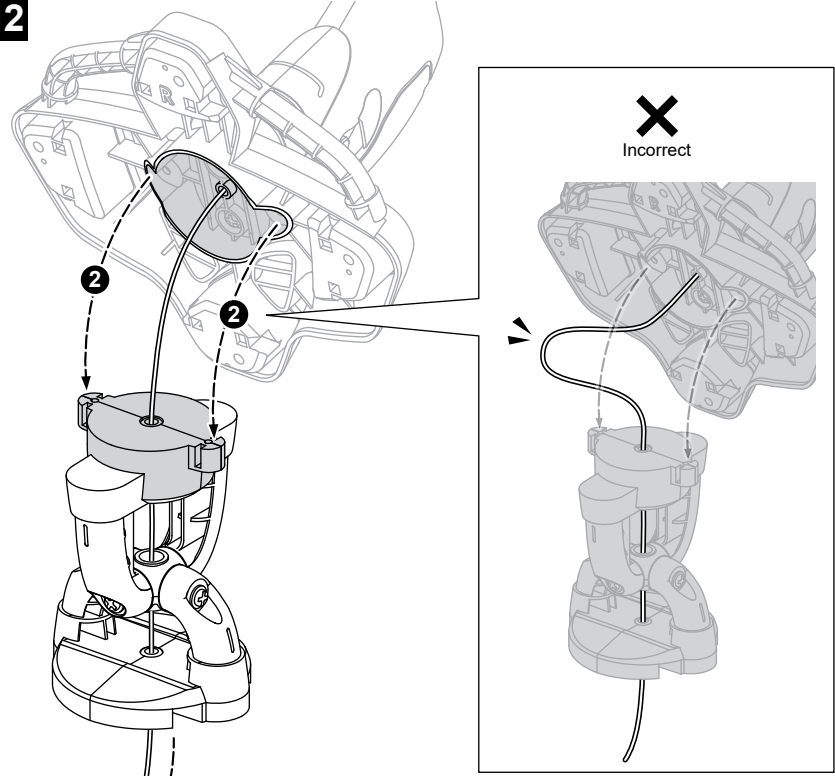
10



11

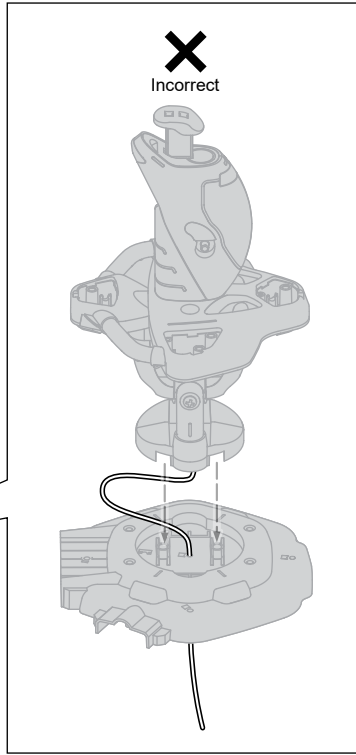
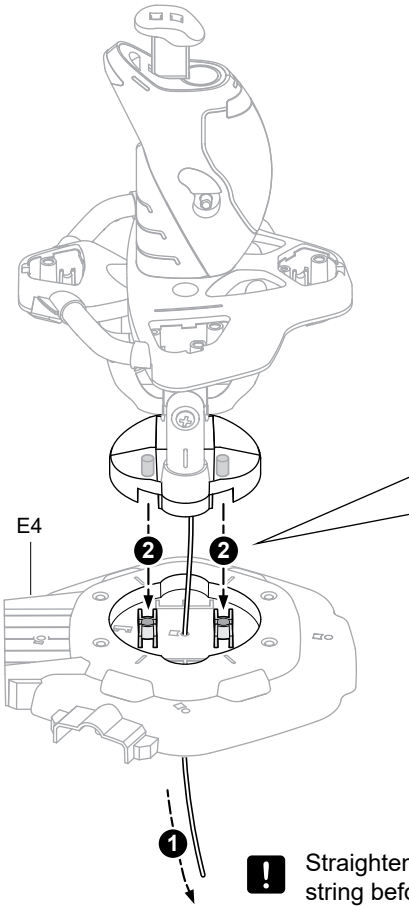


12

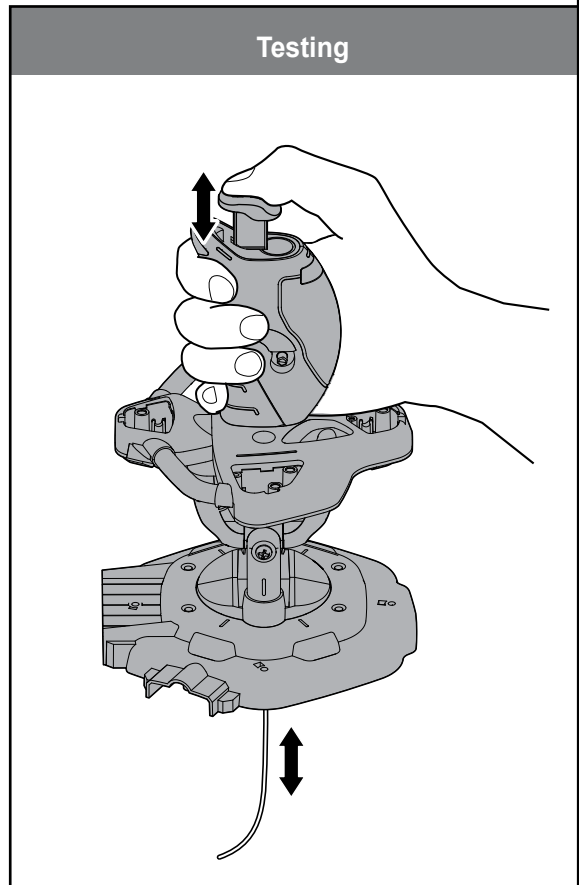
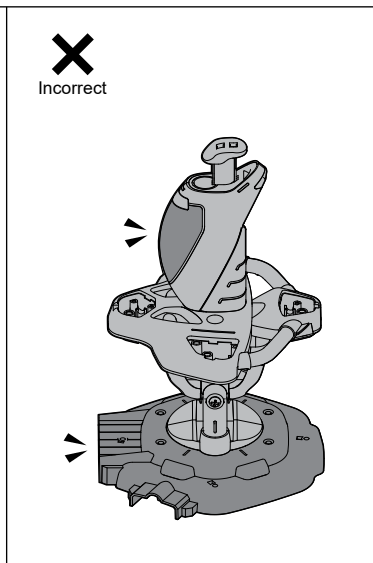
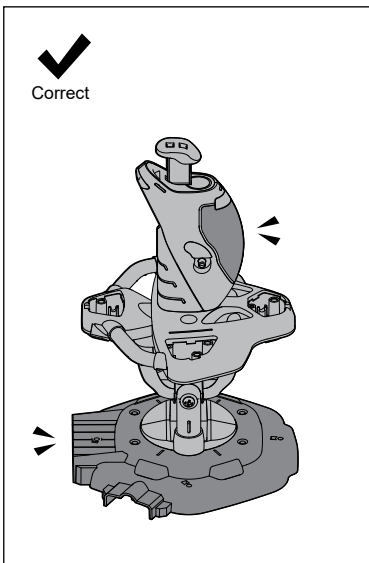
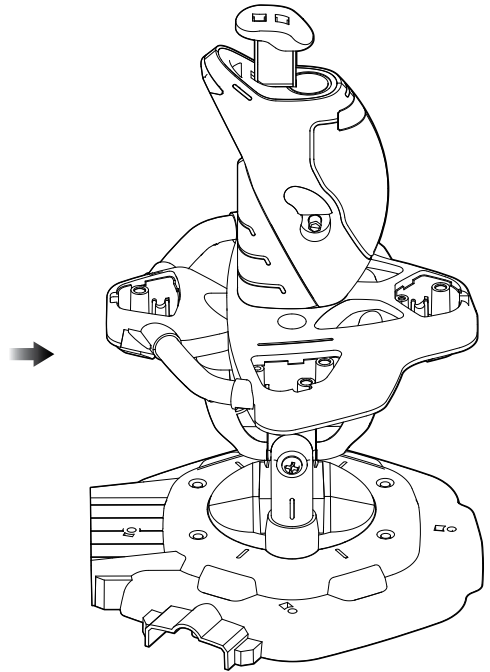


! Straighten down the nylon
string before assembly.

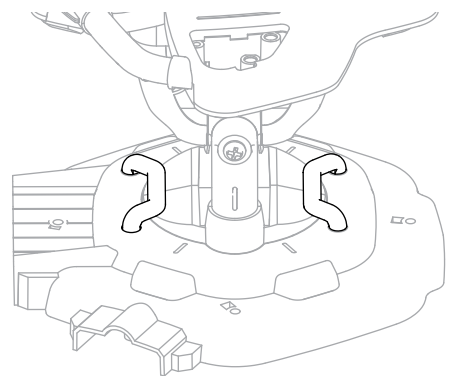
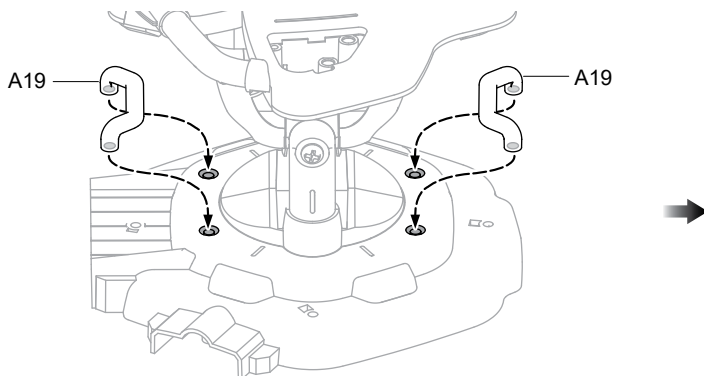
13



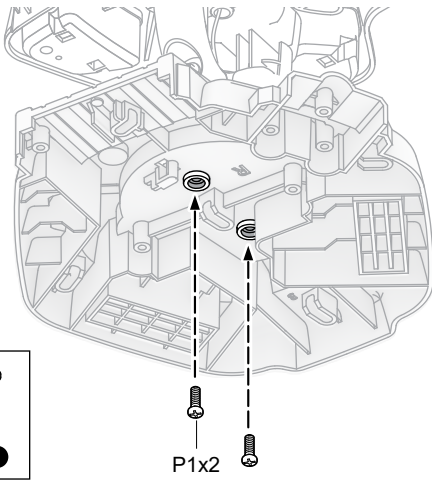
1 Straighten down the nylon string before assembly.



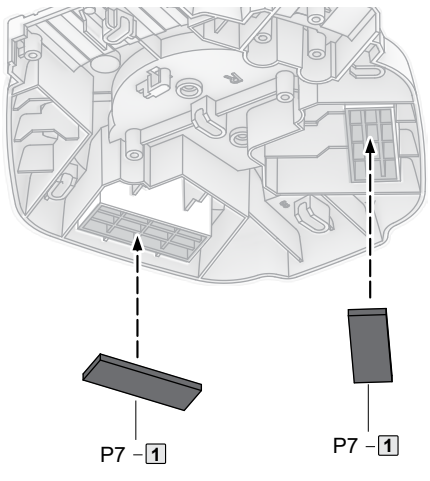
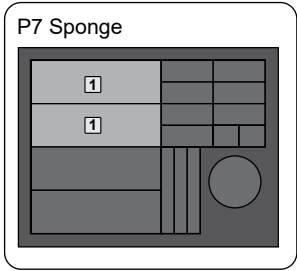
14



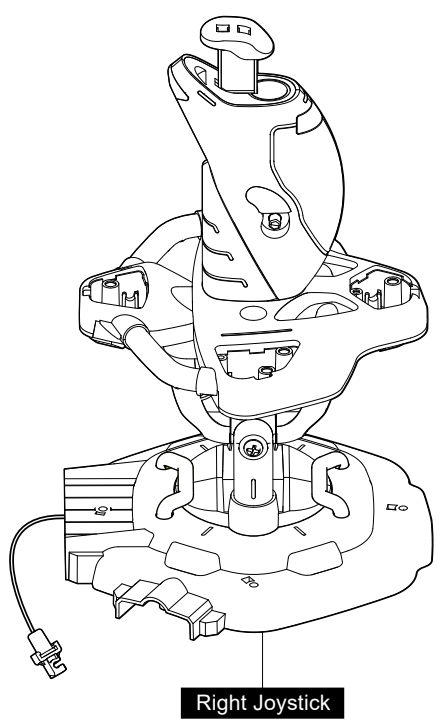
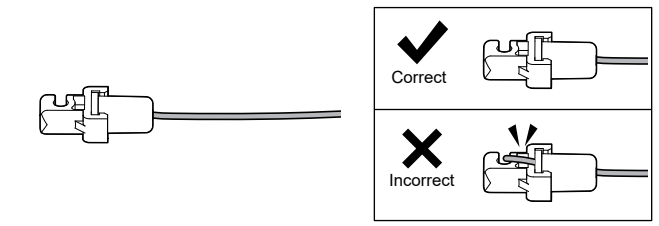
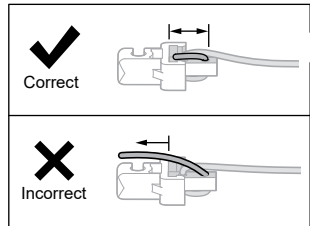
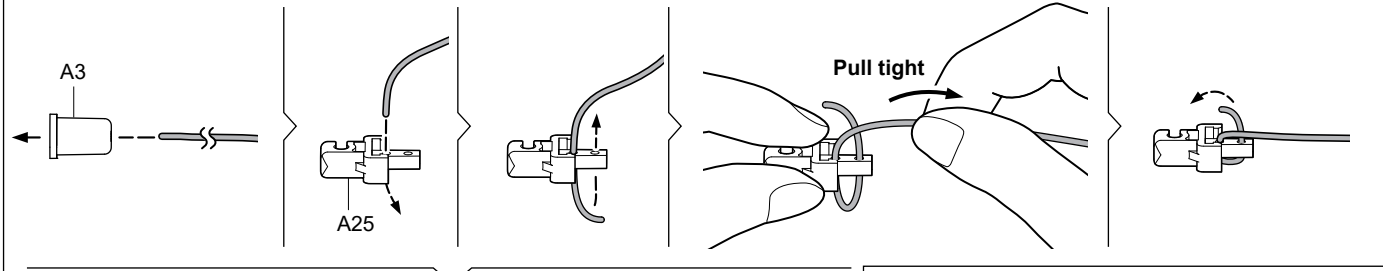
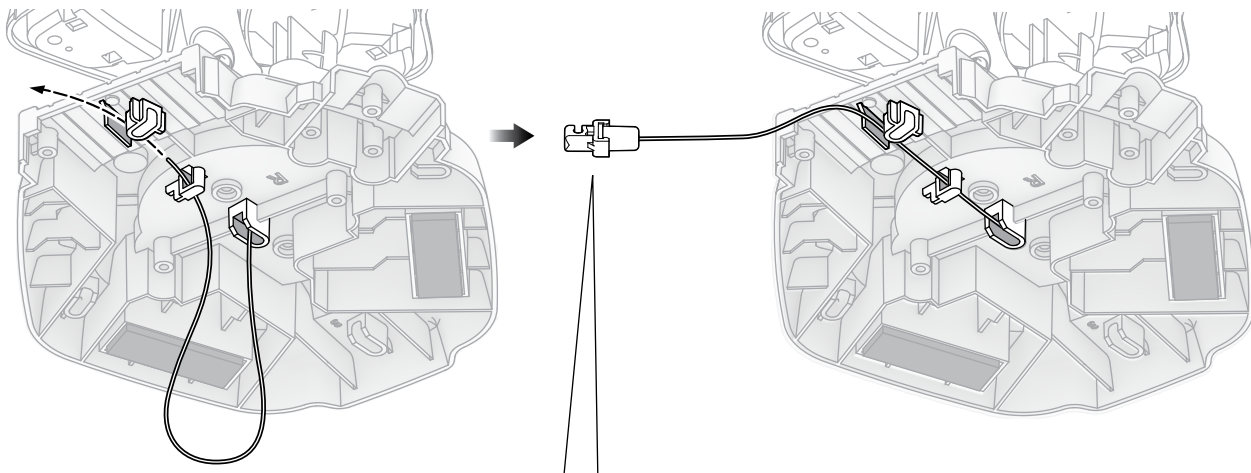
15



16



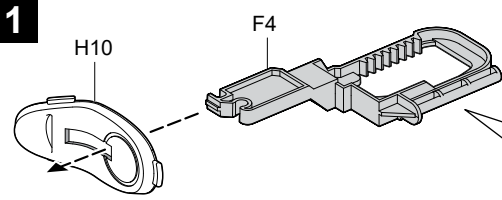
17



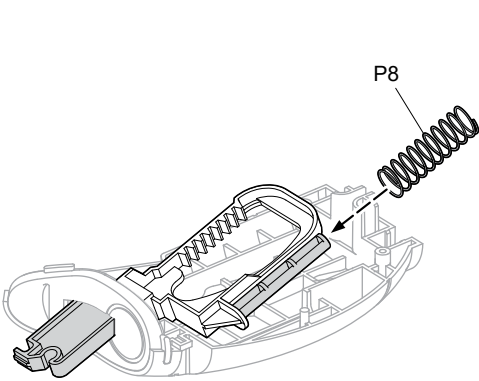
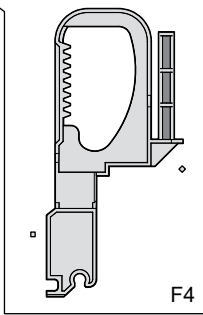
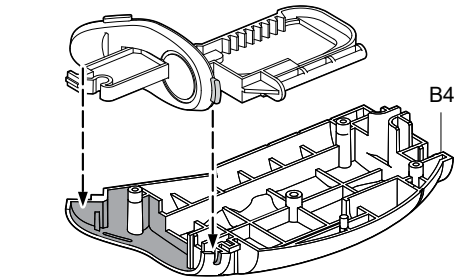
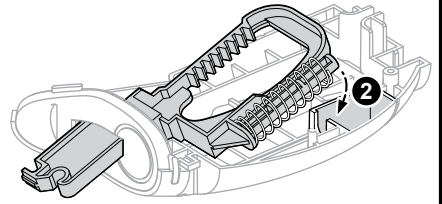
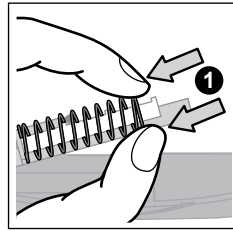
Left Joystick Assembly



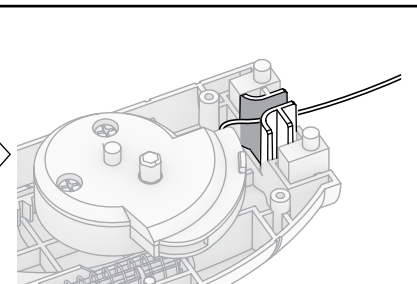
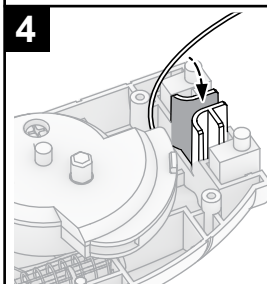
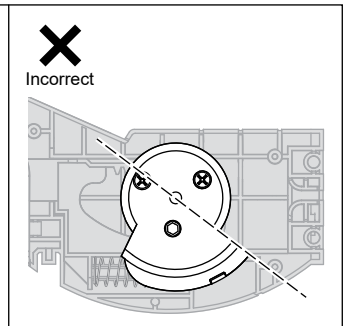
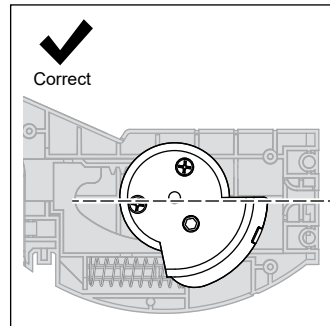
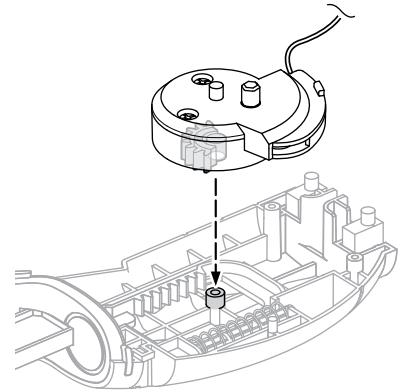
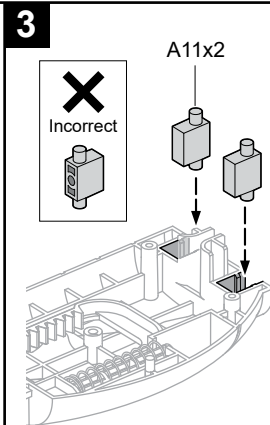
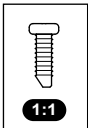
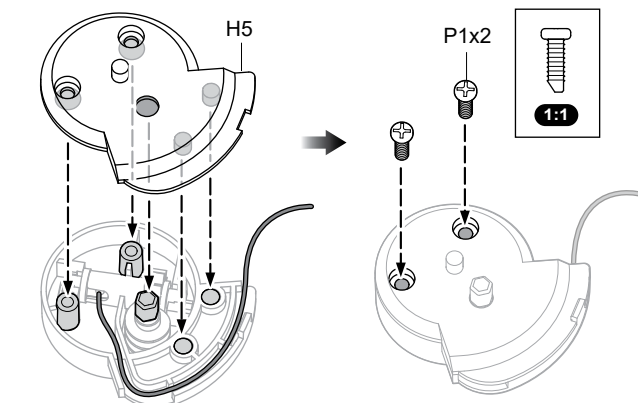
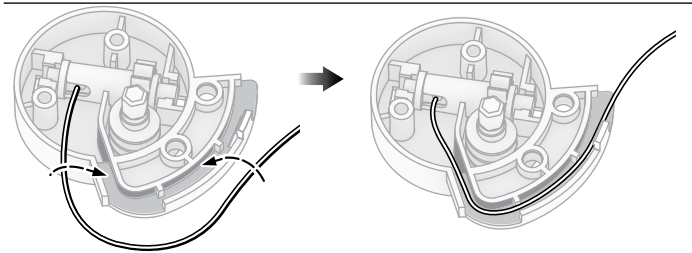
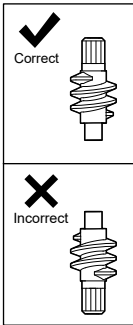
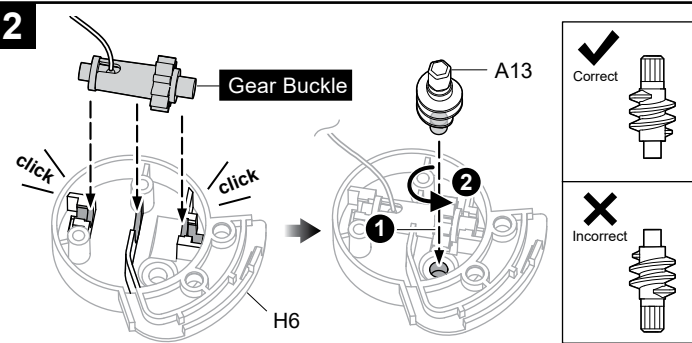
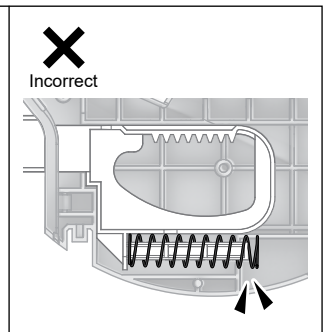
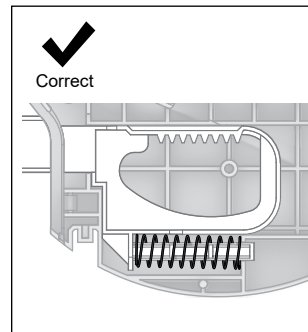
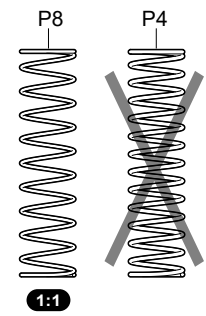
Assembly Tip

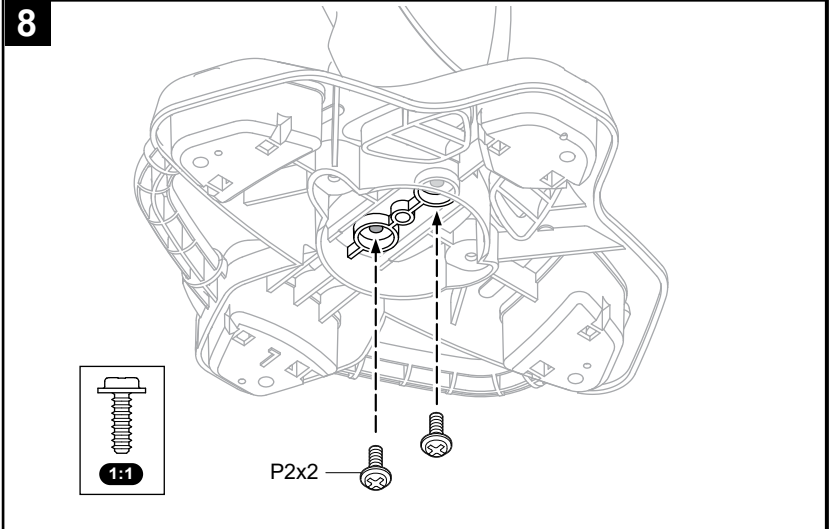
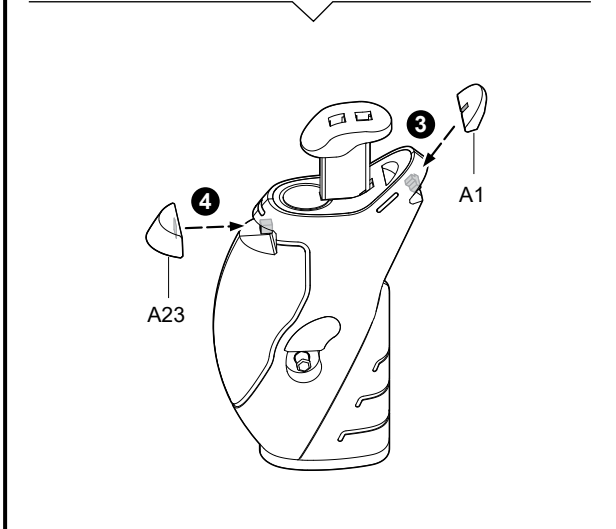
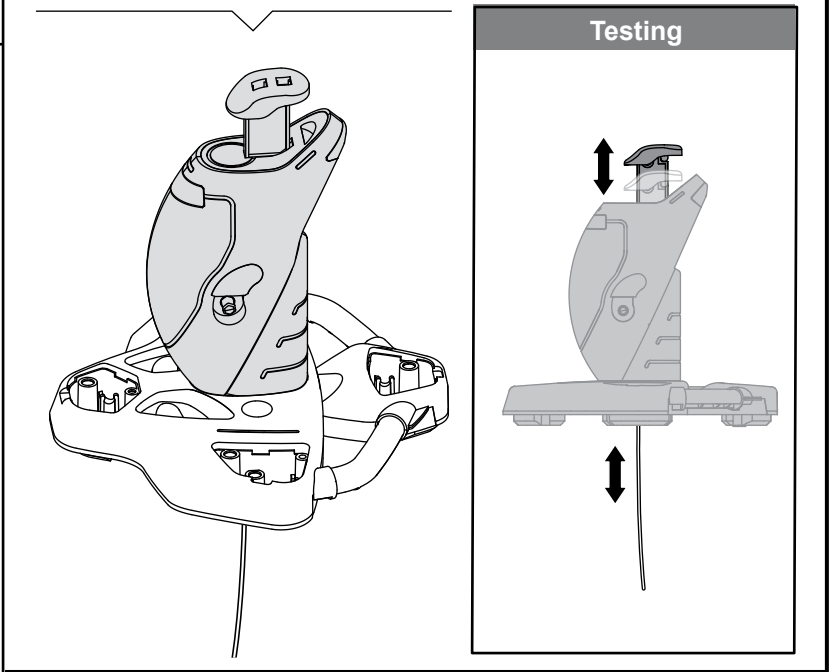
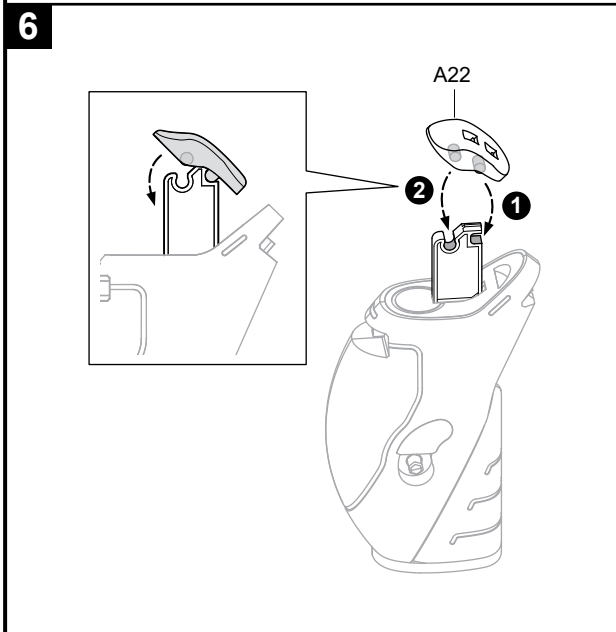
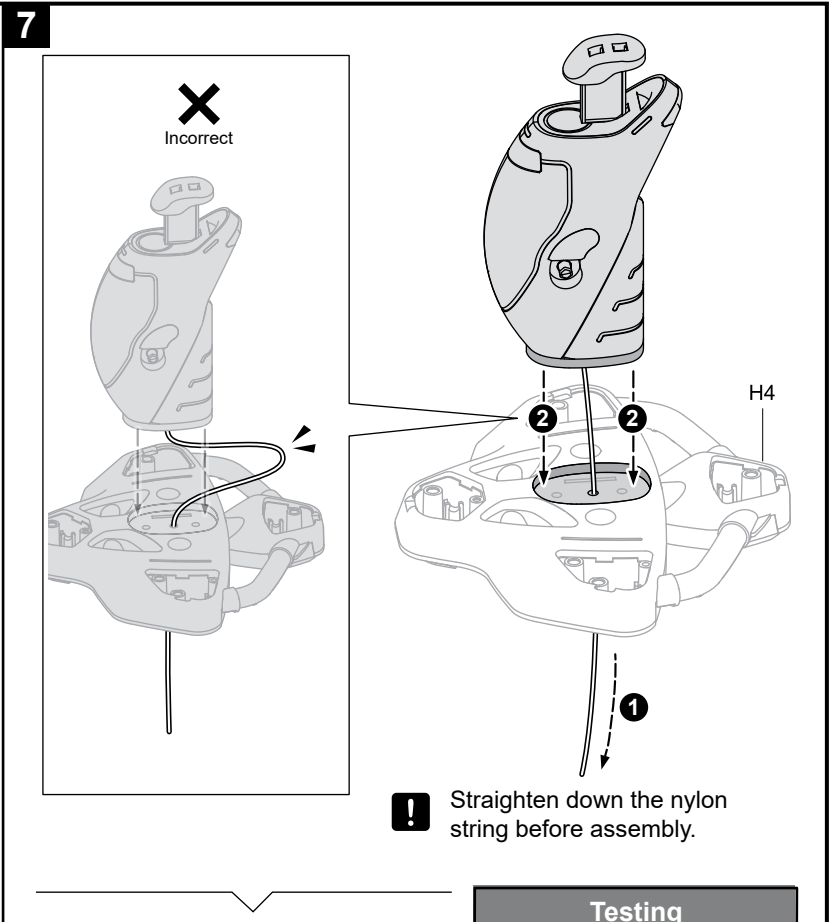
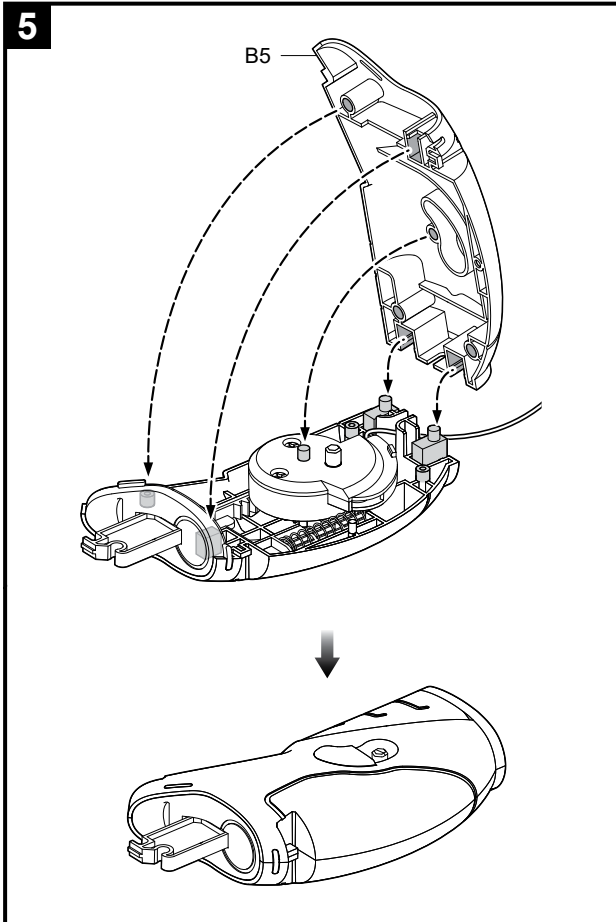


! Cut off the burrs before assembly.



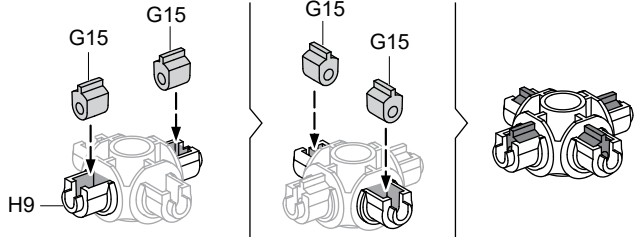
! Don't mix up P4 & P8.





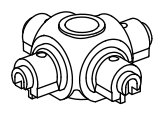
9

!
Cut off the burrs
before assembly.
G15

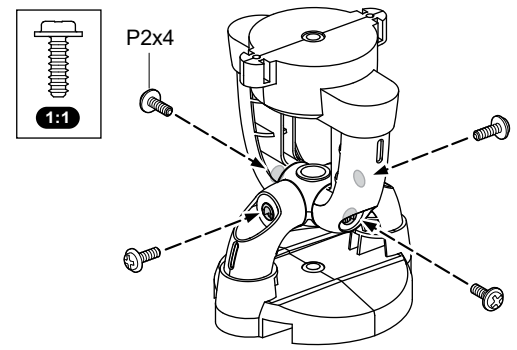
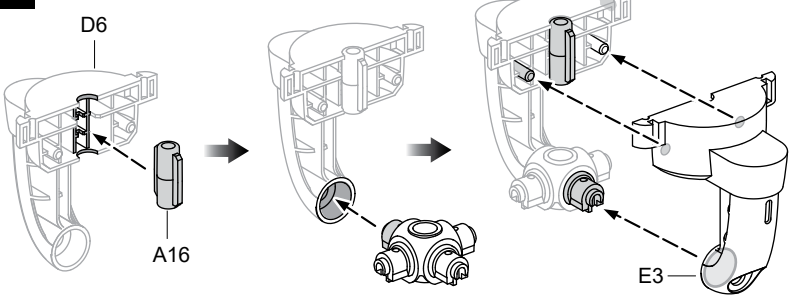


Press each G15 in with
your thumbs.

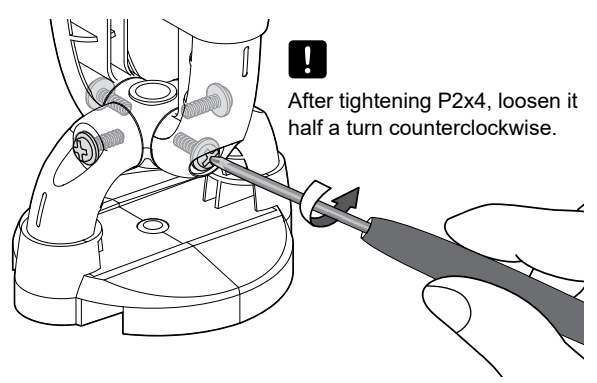
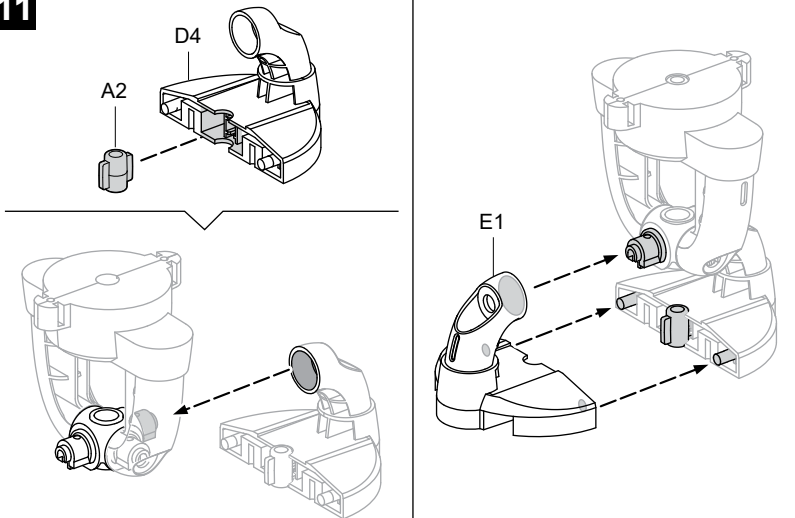
180°



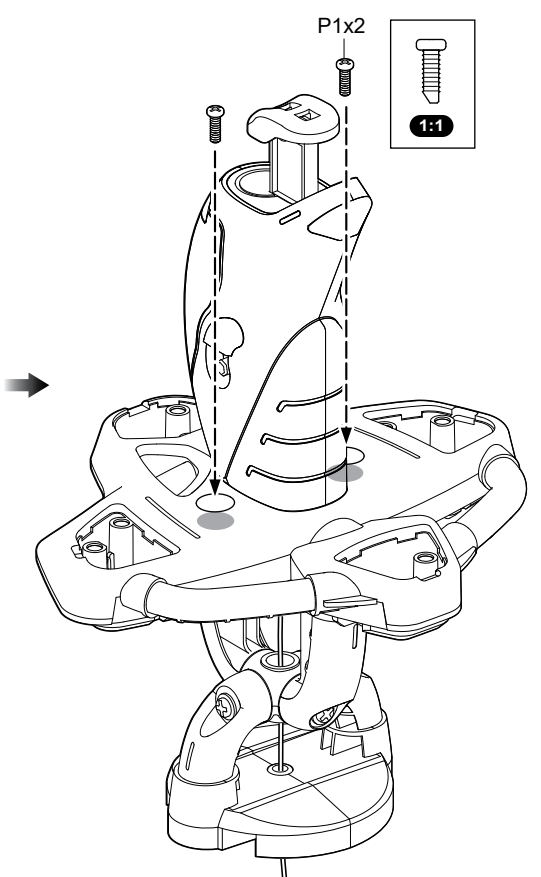
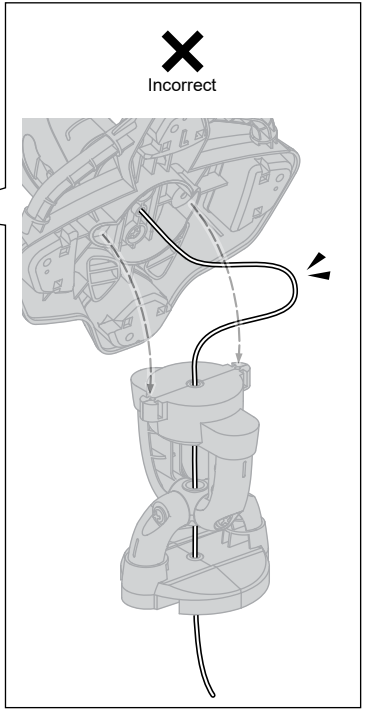
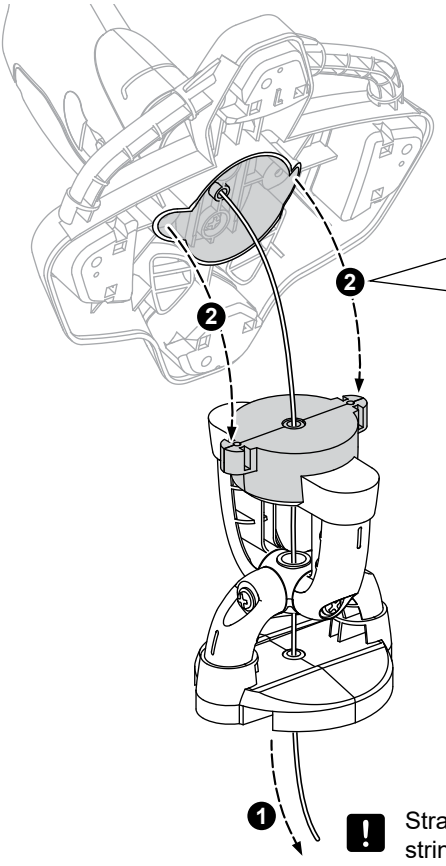
10



11

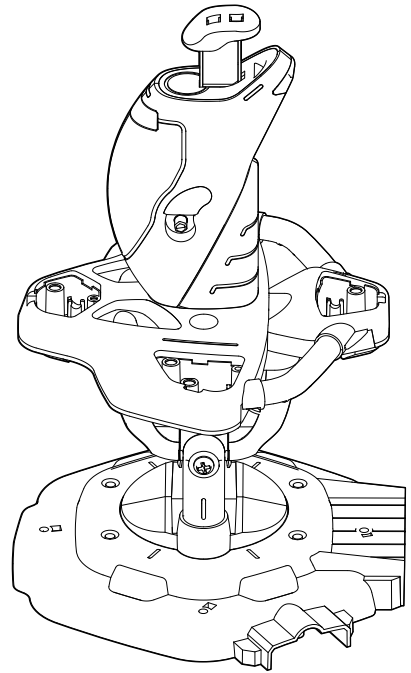
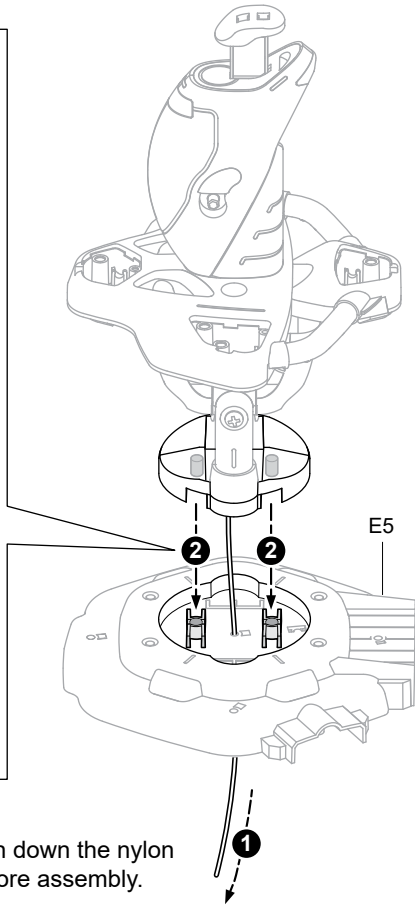
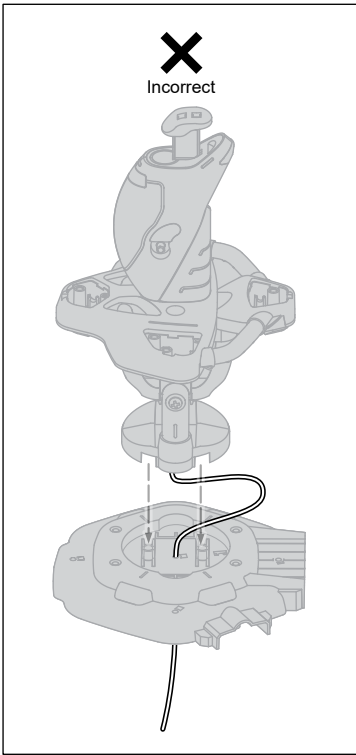


12

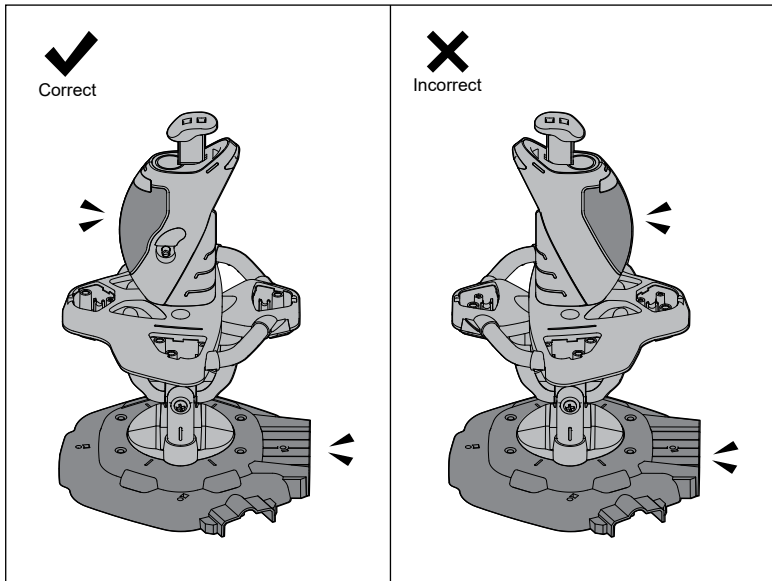


! Straighten down the nylon
string before assembly.

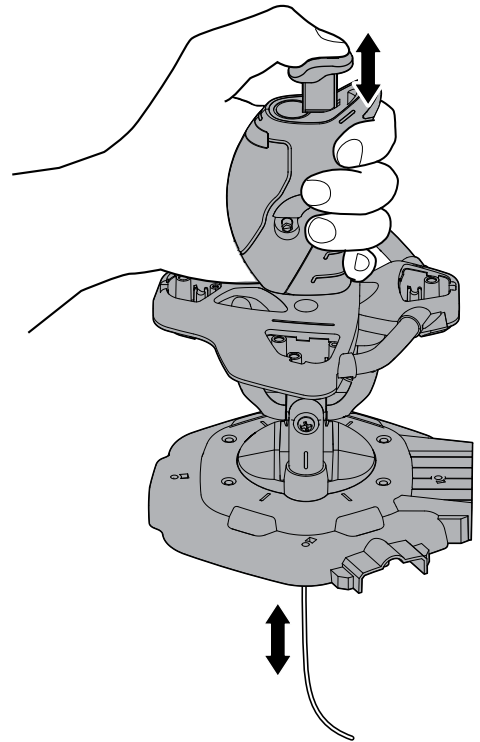
13



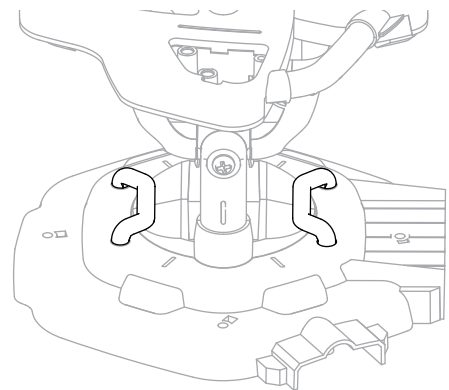
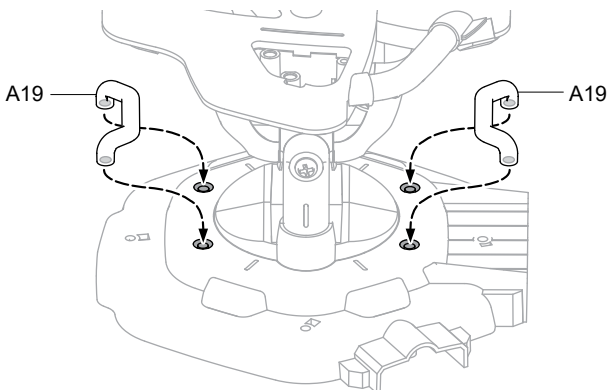
! Straighten down the nylon string before assembly.



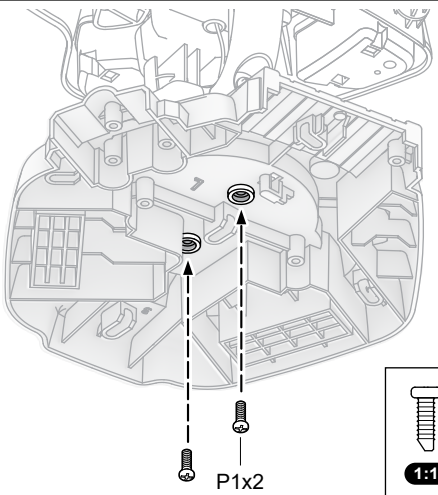
Testing



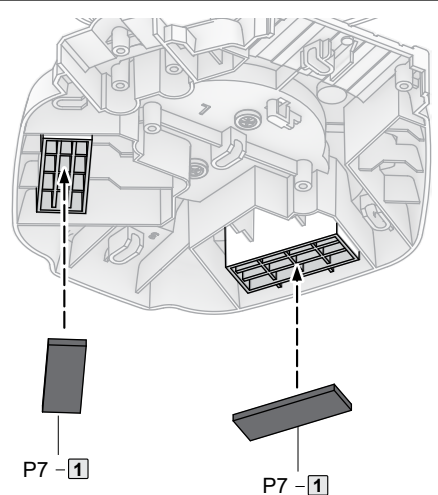
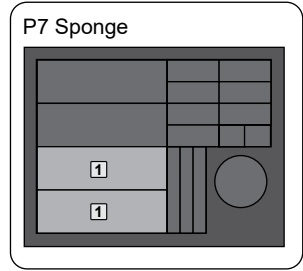
14



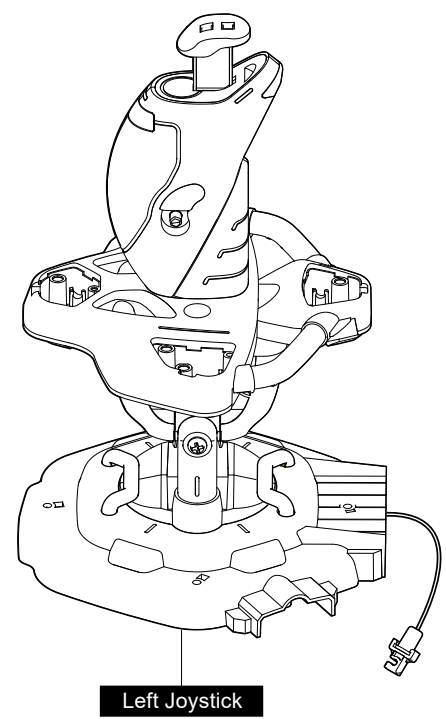
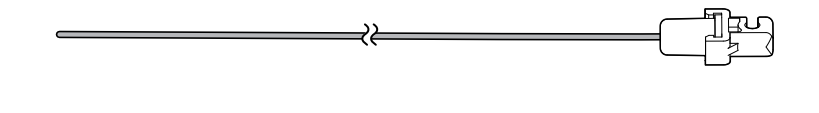
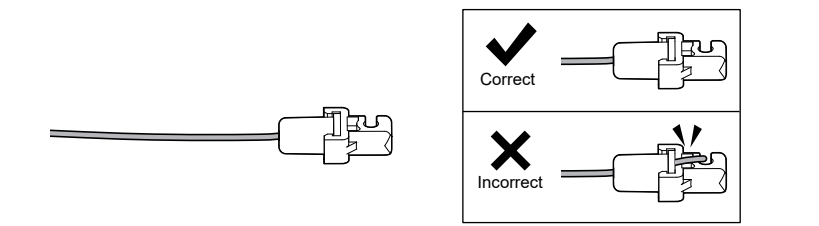
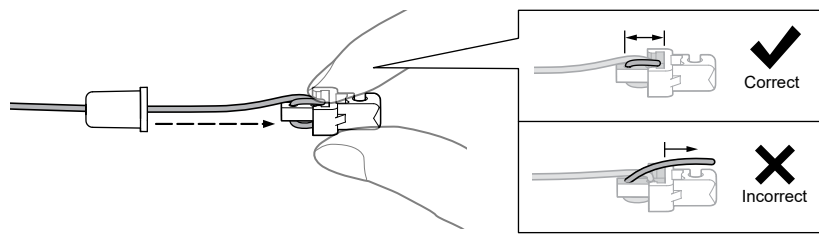
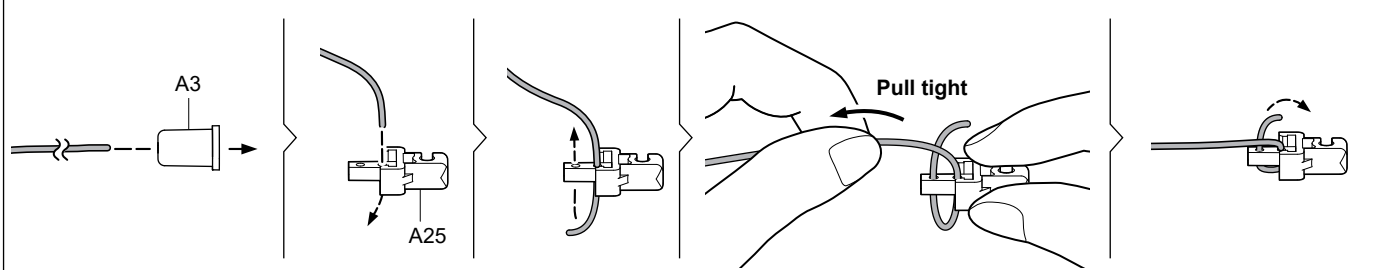
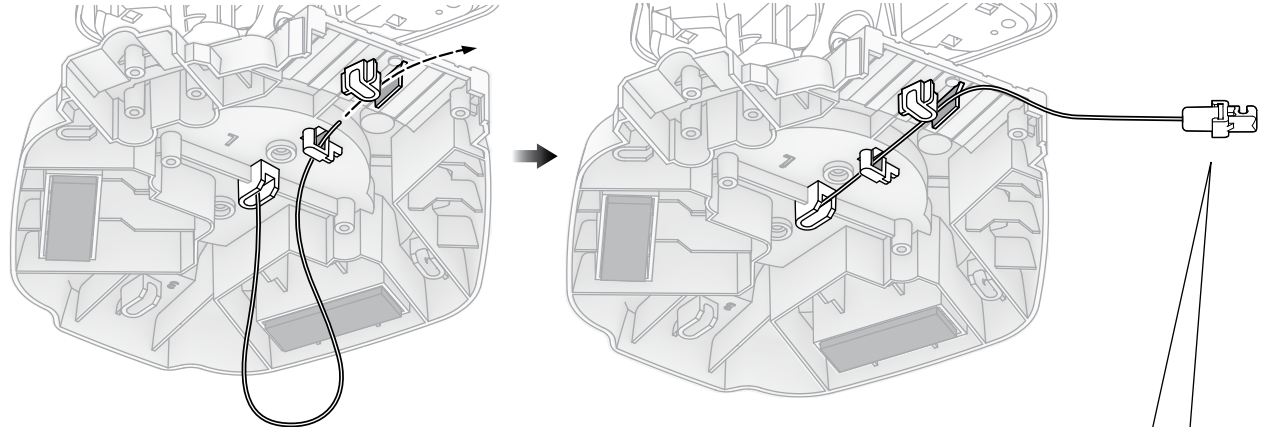
15



16



17



Claw Assembly



Assembly Tip

1

G22

B10

click

A17

2

! Don't mix up P4 & P8.

P4

P8

H1

A20

P1

A24

1:1

3

4

P7 Sponge

P7 - 4

C8

F1

F2

x3

5

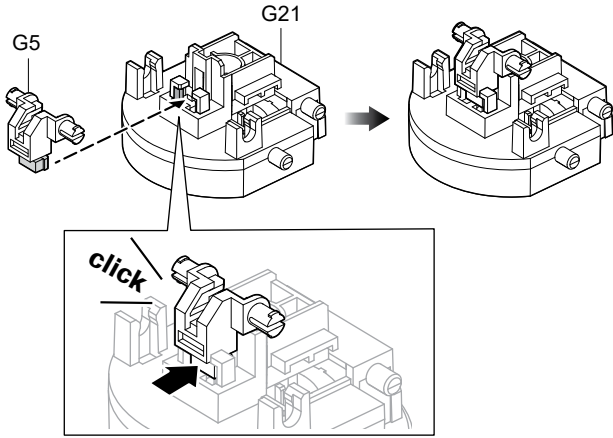
Claw

Garden Eel Assembly

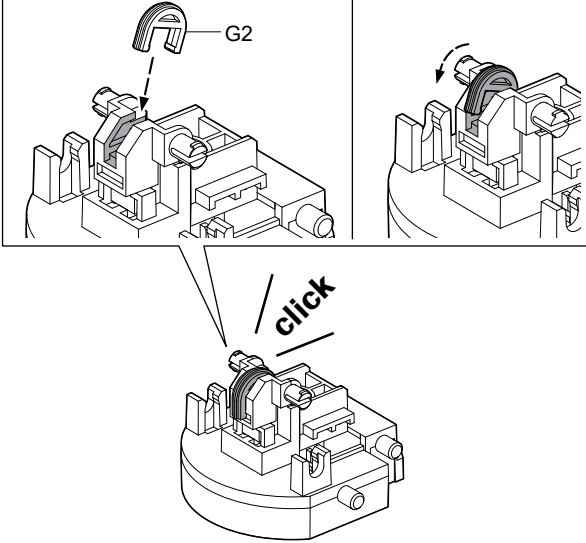


Assembly Tip

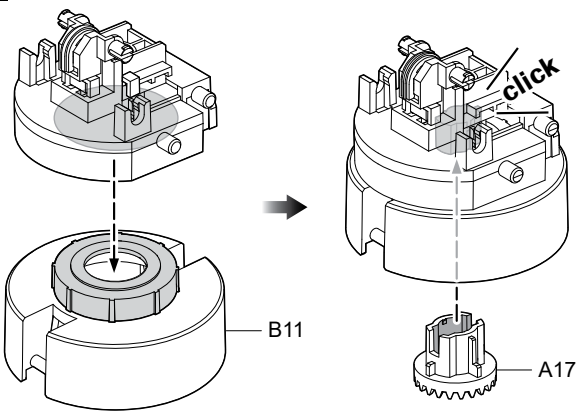
1



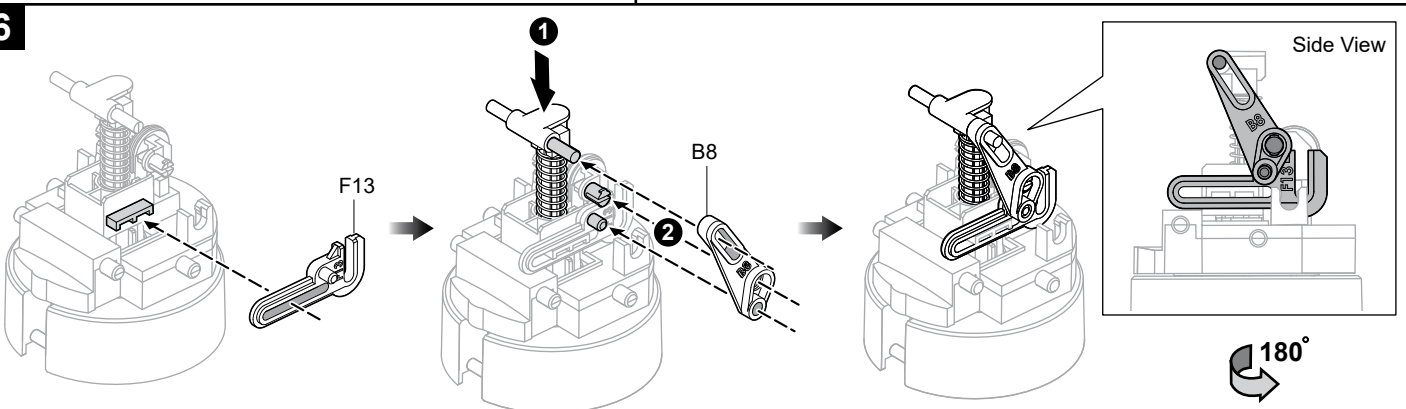
2



3

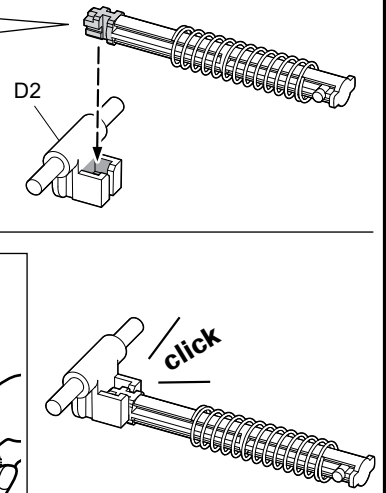
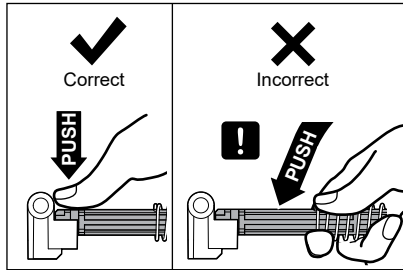
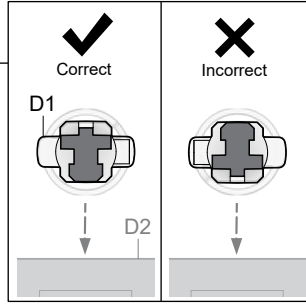
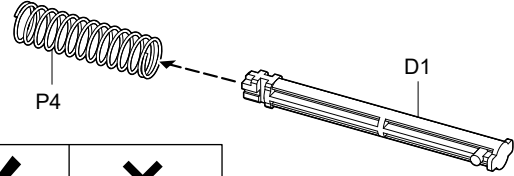
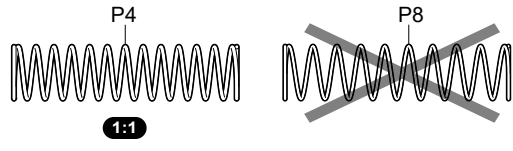


6

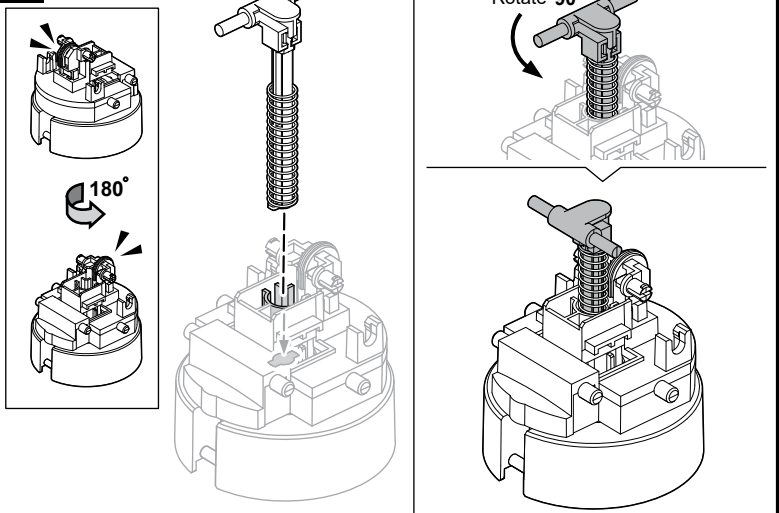


4

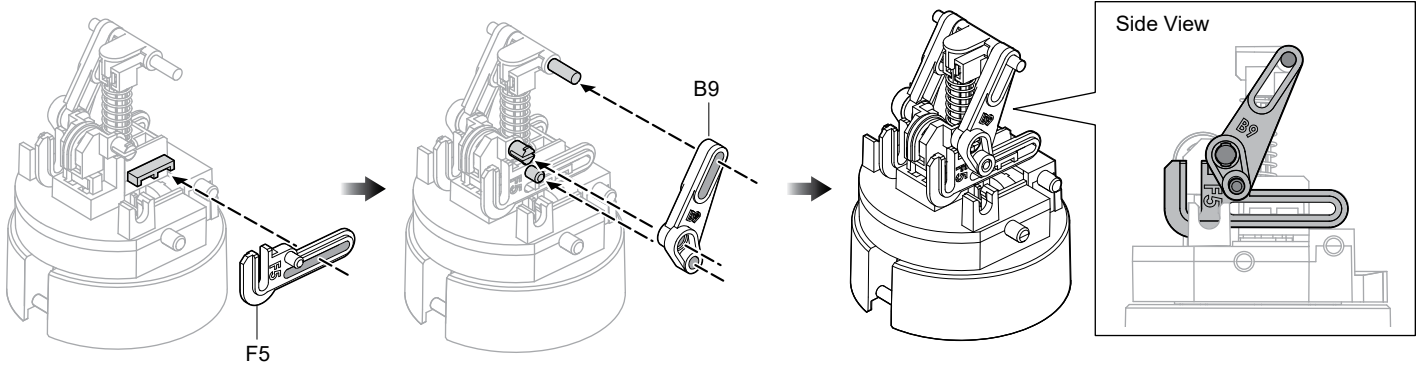
! Don't mix up P4 & P8.



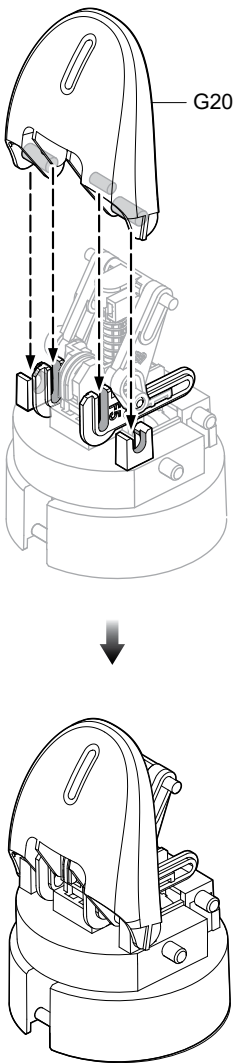
5



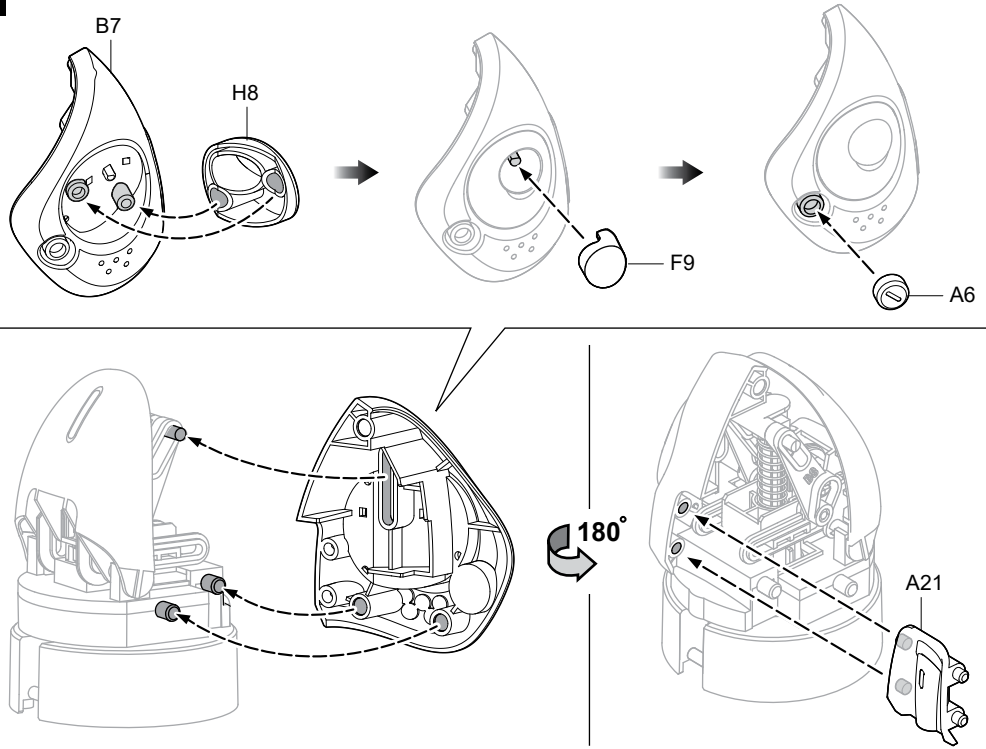
7



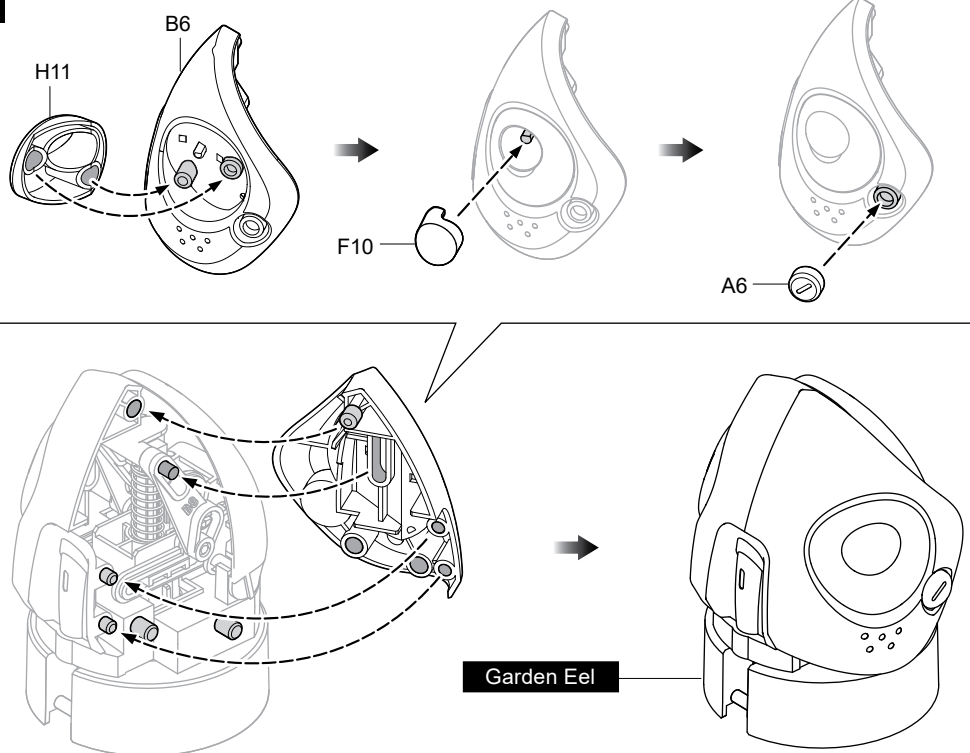
8



9



10

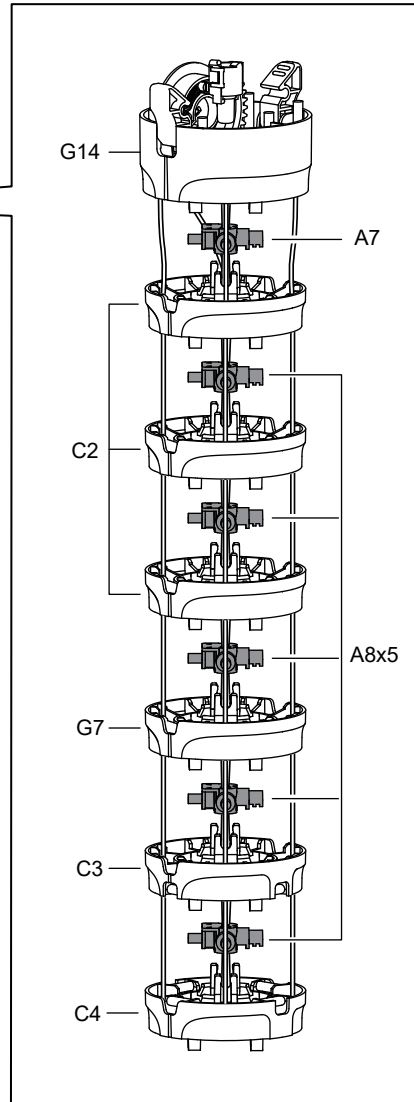
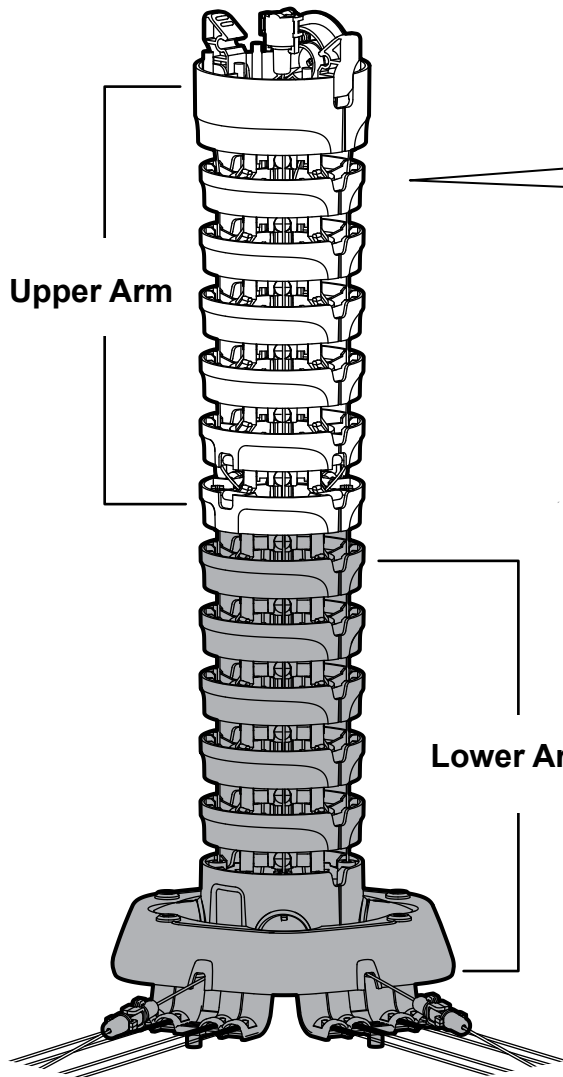


Arm Assembly

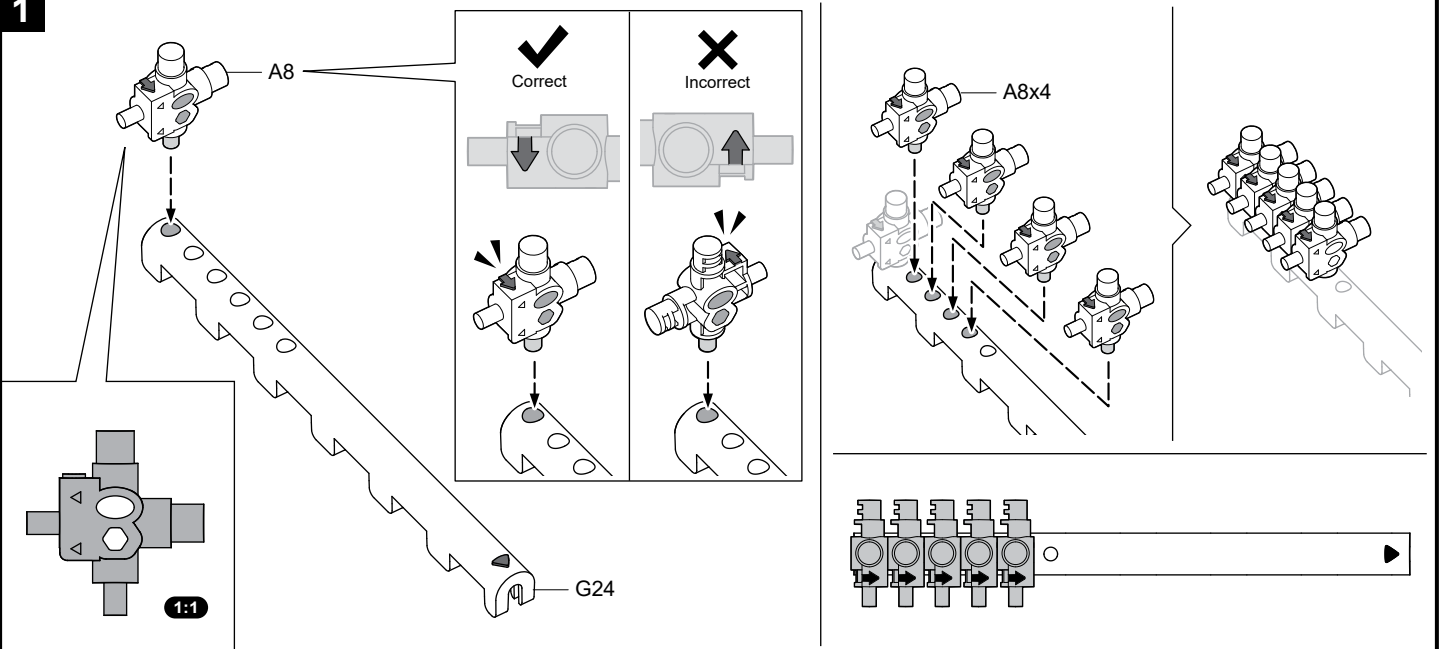
Upper Arm Assembly

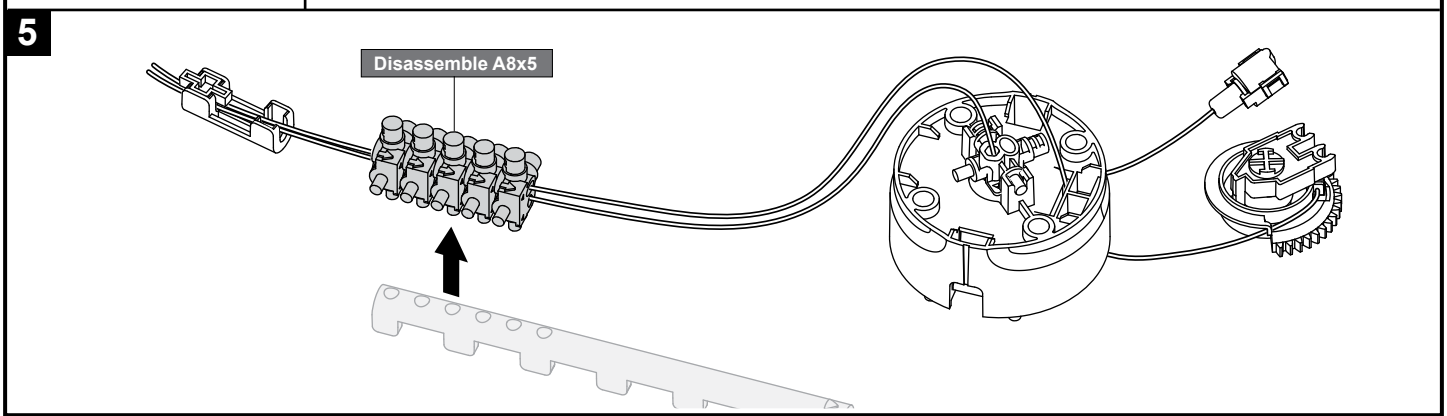
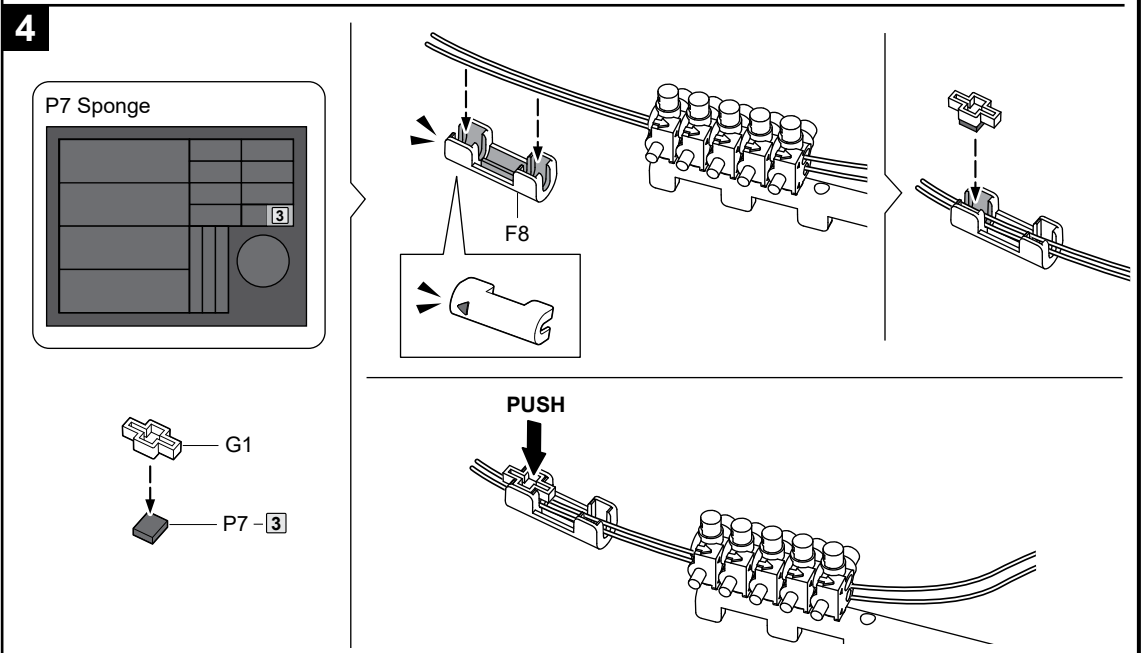
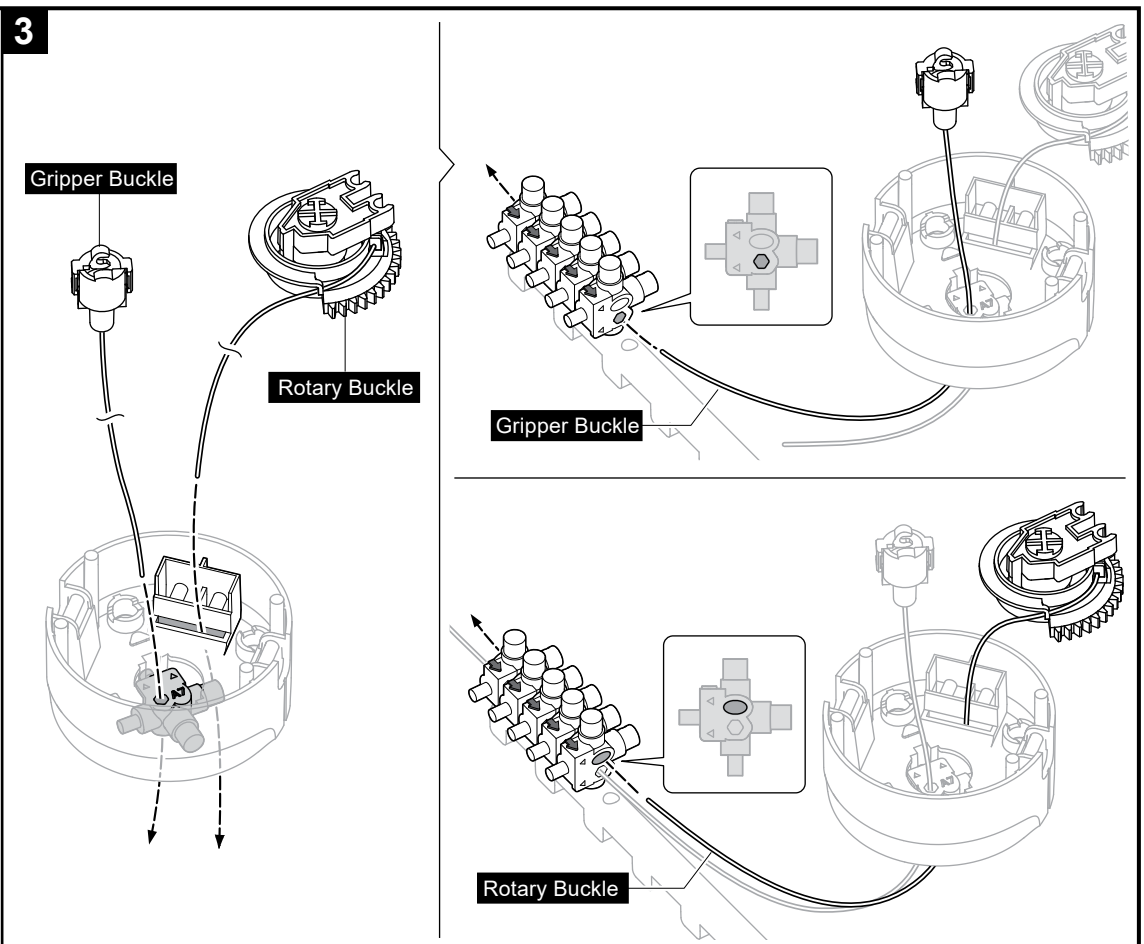
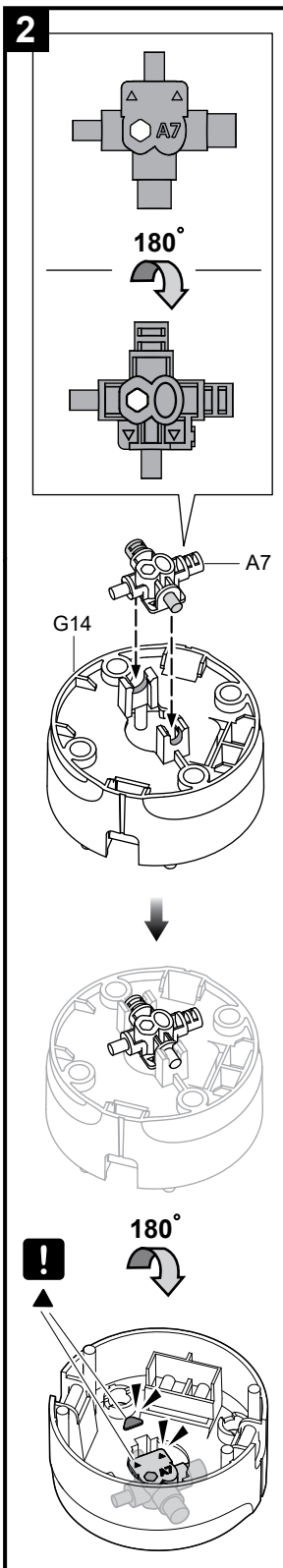


Assembly Tip



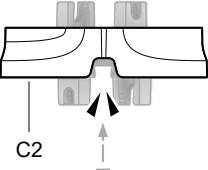
1



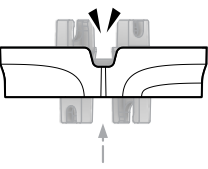


6

! Pay attention to the direction.



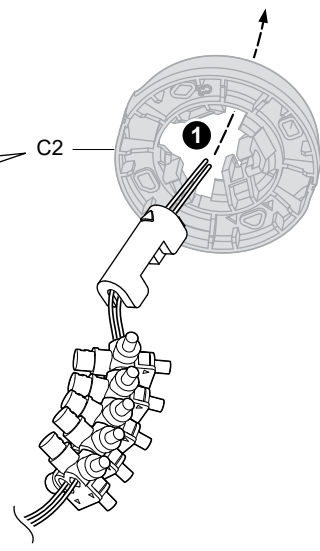
Correct



Incorrect

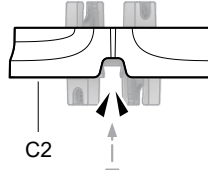
C2

1

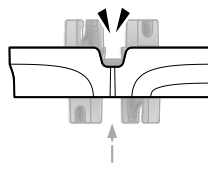


7

! Pay attention to the direction.



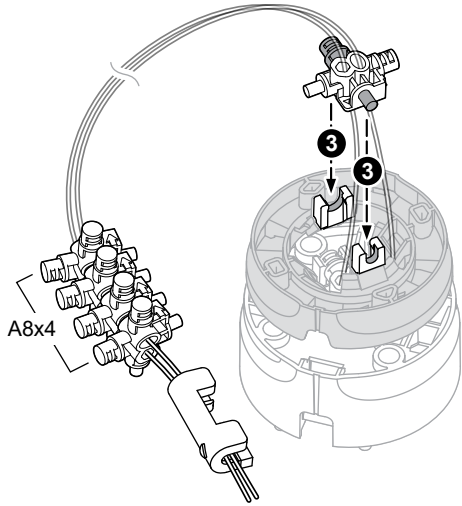
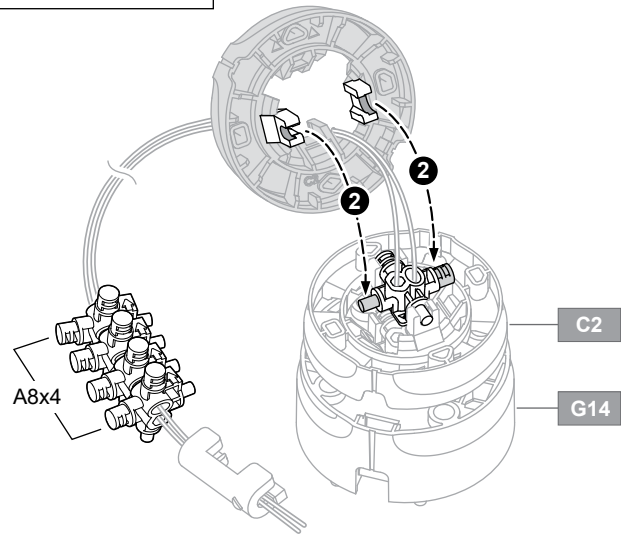
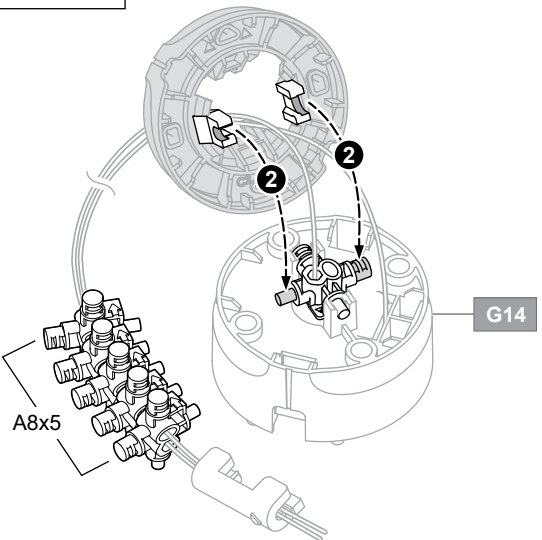
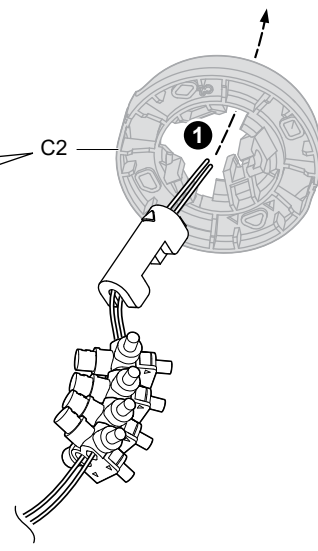
Correct



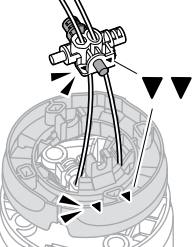
Incorrect

C2

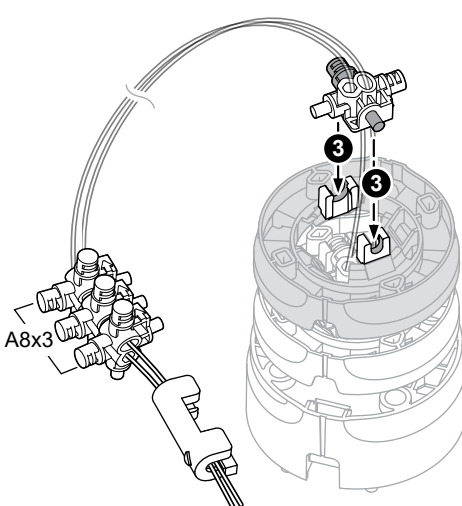
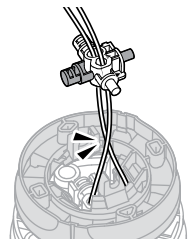
1



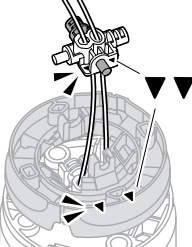
Correct



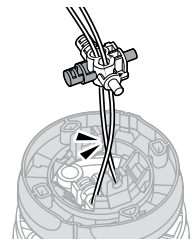
Incorrect



Correct

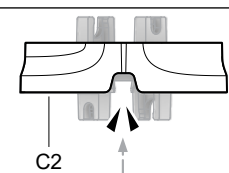


Incorrect



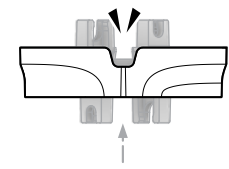
8

! Pay attention to the direction.

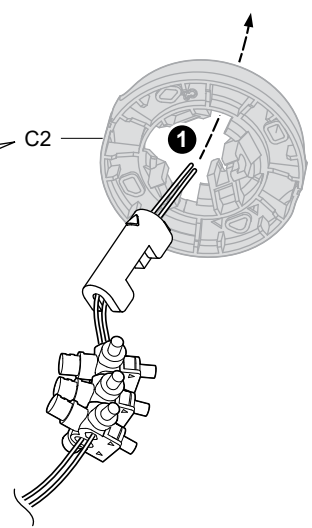


C2

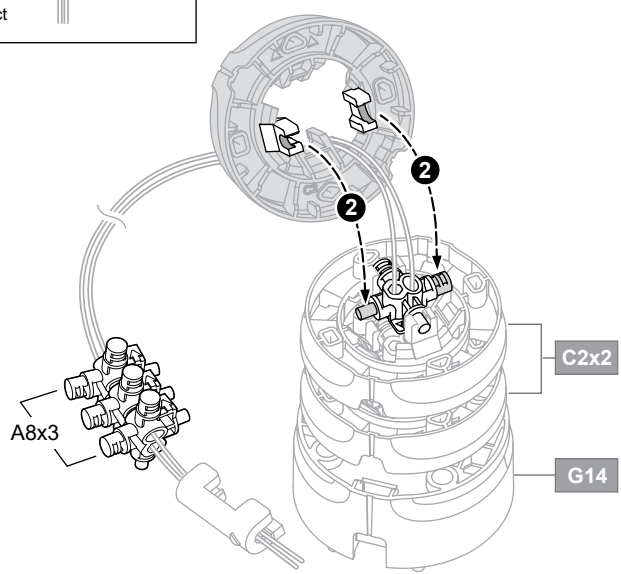
Correct



Incorrect



C2



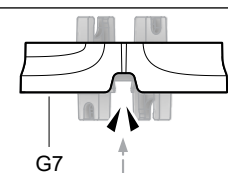
C2x2

G14

A8x3

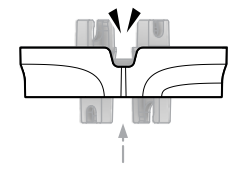
9

! Pay attention to the direction.

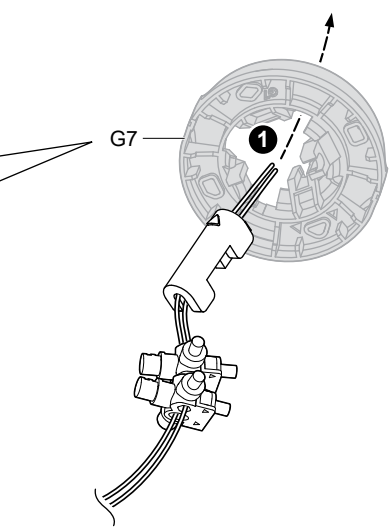


G7

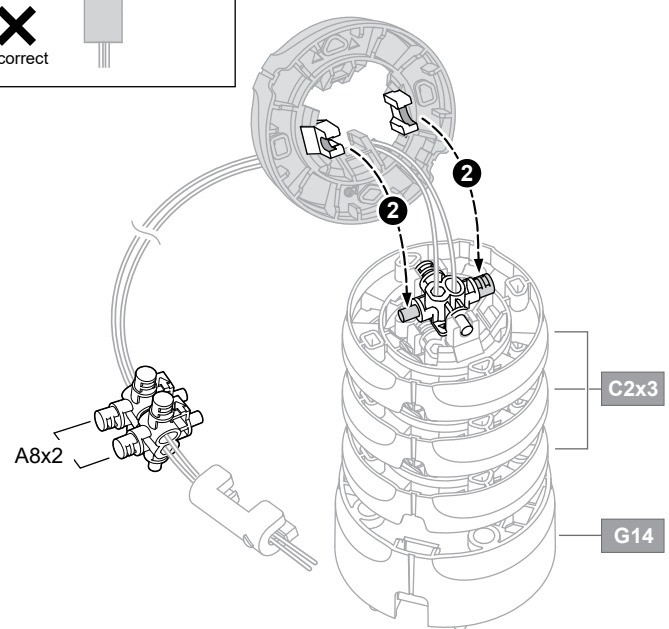
Correct



Incorrect



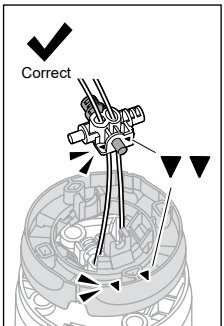
G7



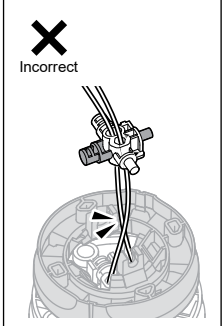
C2x3

G14

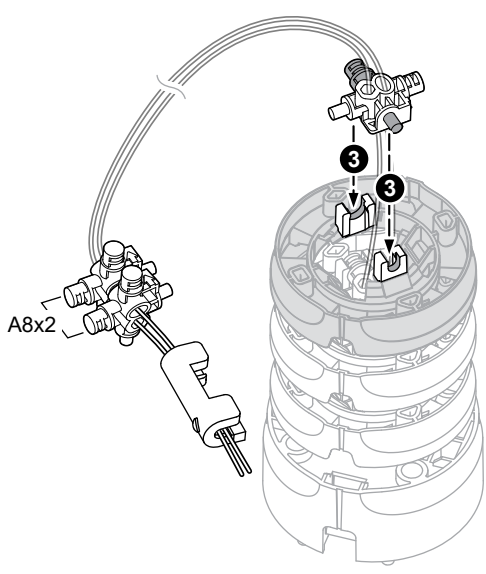
A8x2



Correct



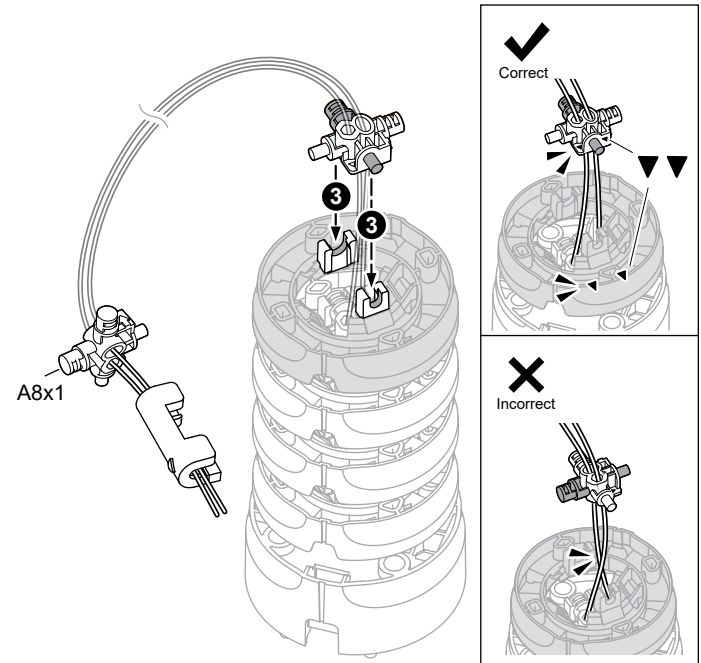
Incorrect



C2x2

G14

A8x2



C2x3

G14

A8x1

10

! Pay attention to the direction.



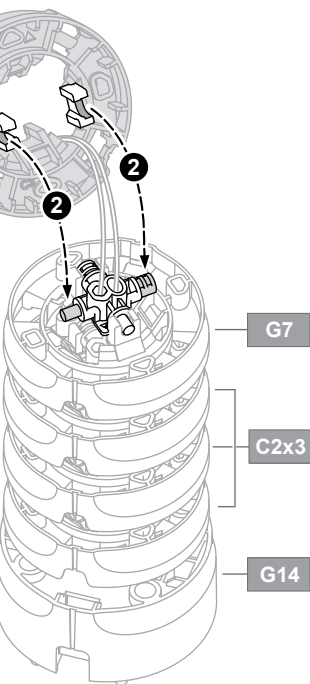
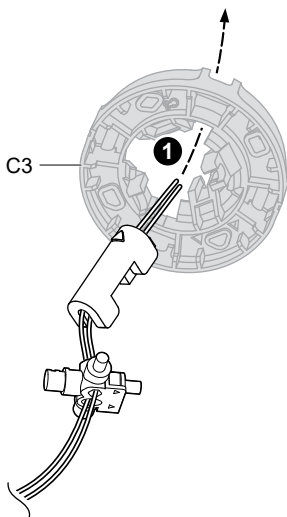
C3



Correct



Incorrect



A8x1

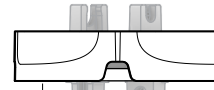
G7

C2x3

G14

11

! Pay attention to the direction.



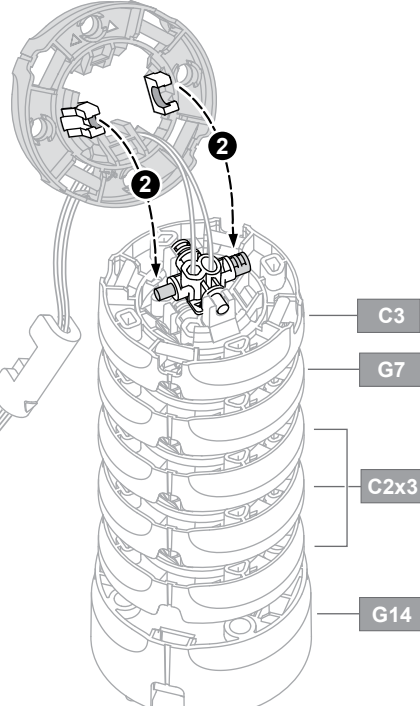
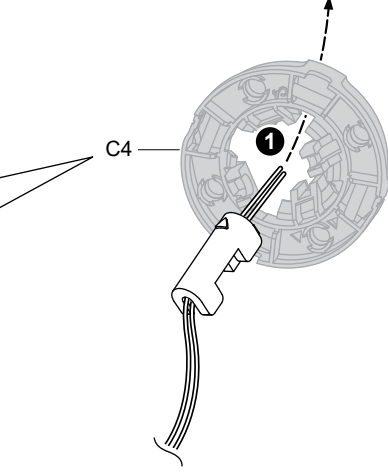
C4



Correct



Incorrect

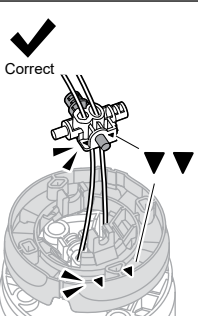
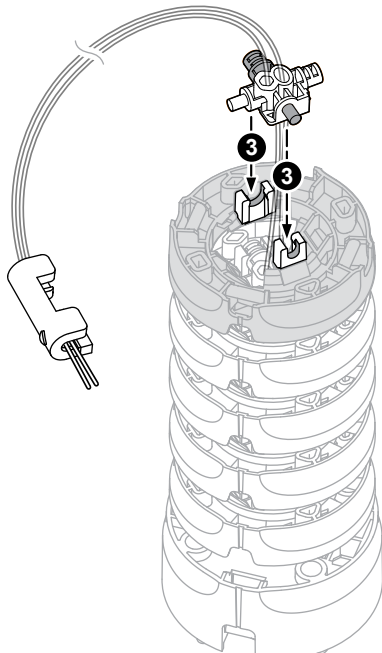


C3

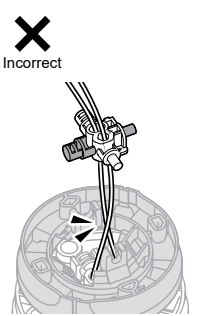
G7

C2x3

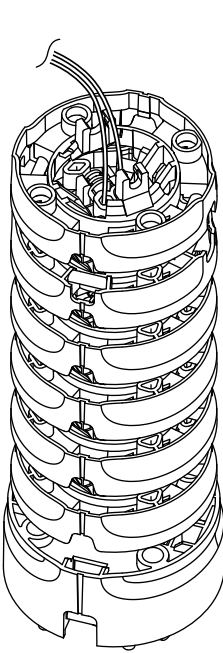
G14



Correct



Incorrect



G14

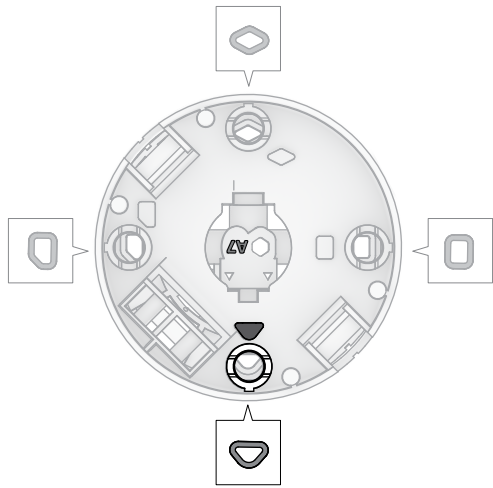
C2x3

G7

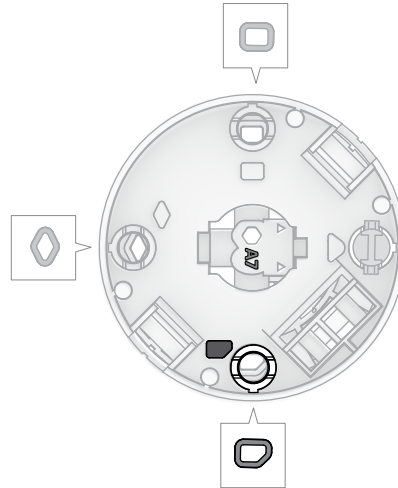
C3

C4

12

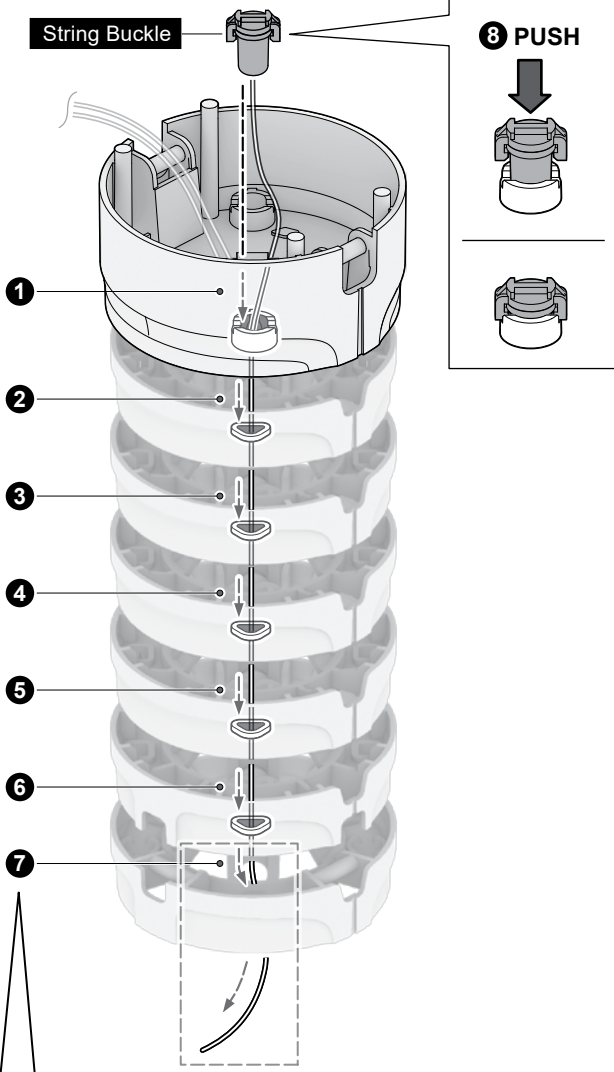


13



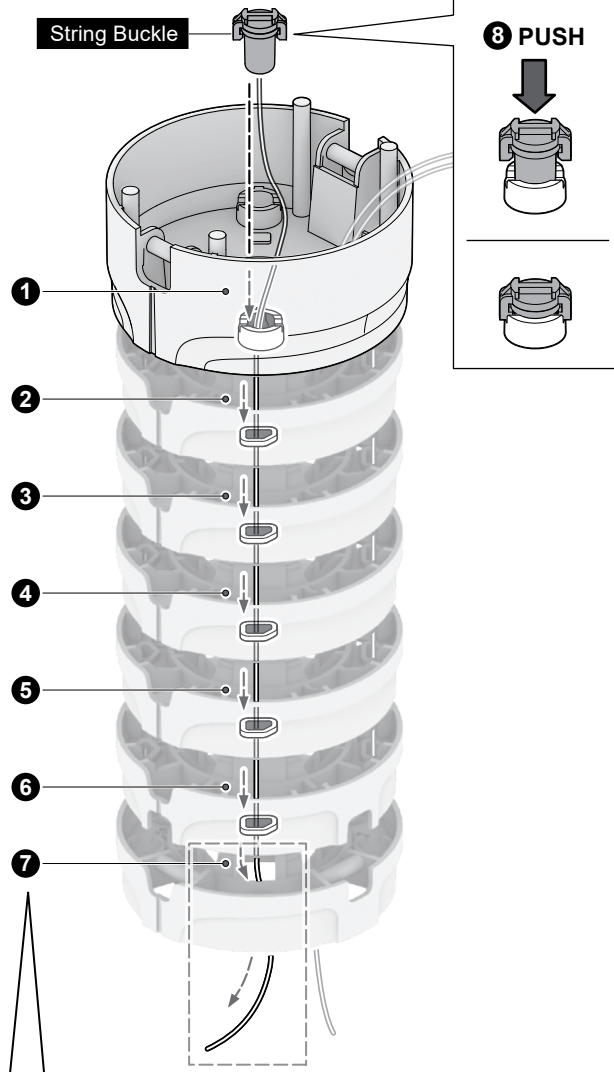
String Buckle

8 PUSH

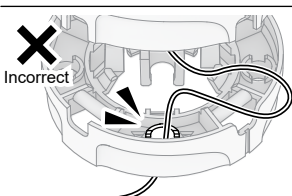
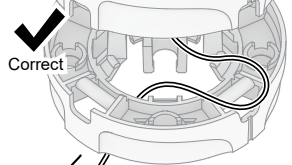
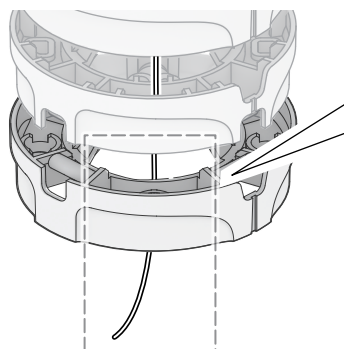


String Buckle

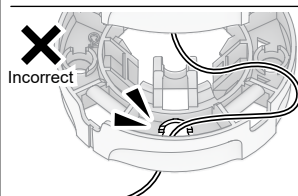
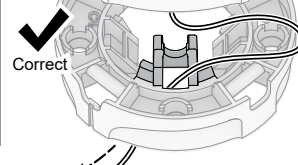
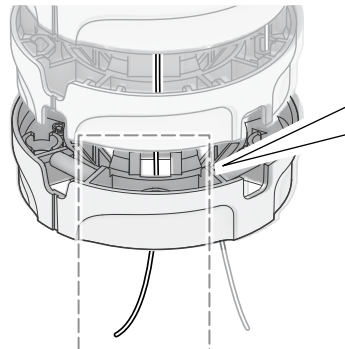
8 PUSH



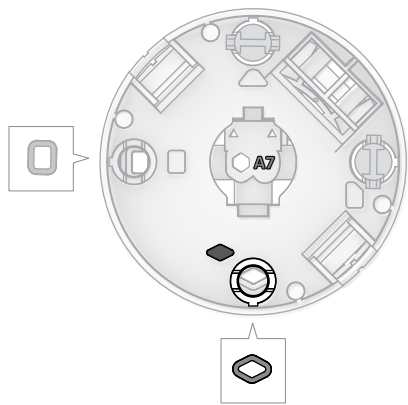
! Make sure the string is at the correct position!



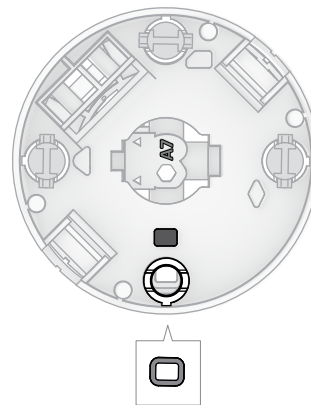
! Make sure the string is at the correct position!



14

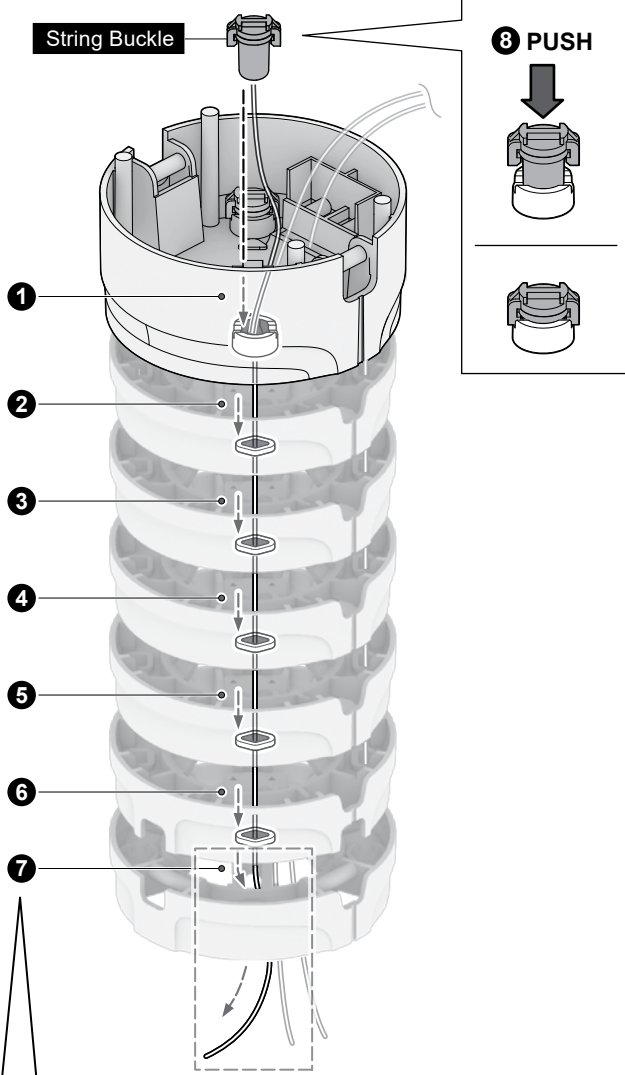


15



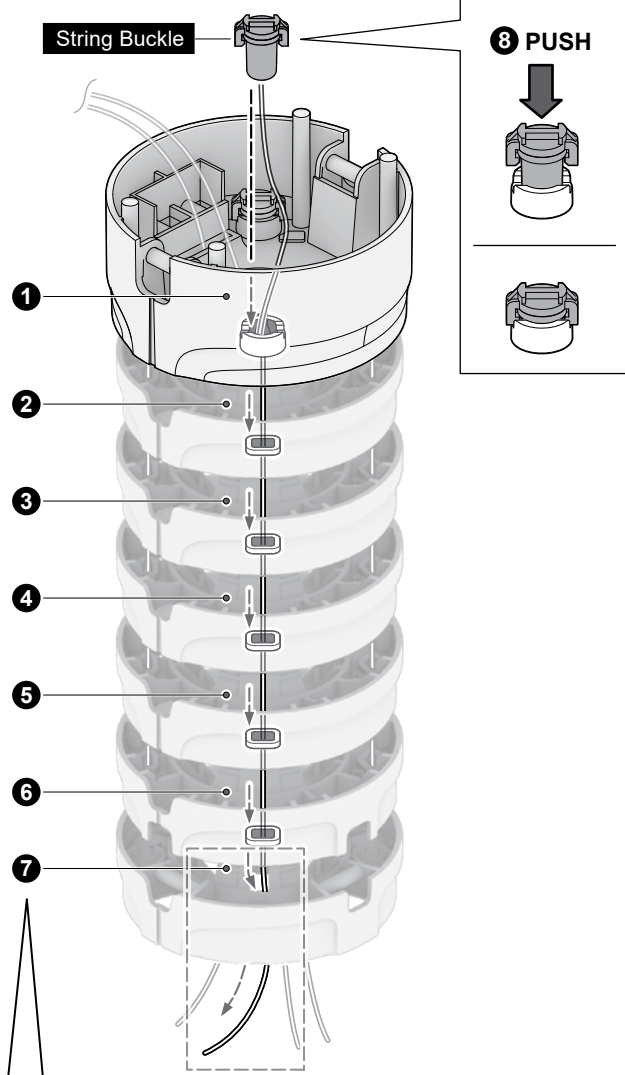
String Buckle

8 PUSH

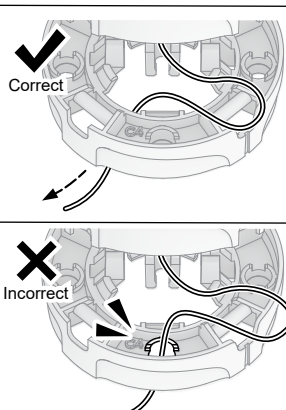
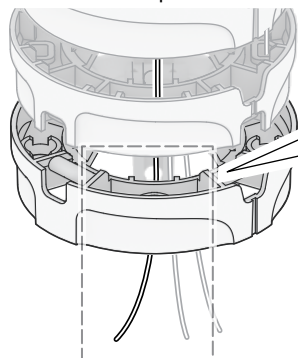


String Buckle

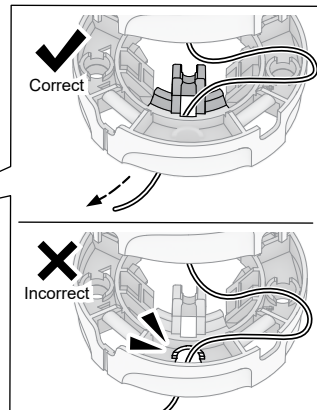
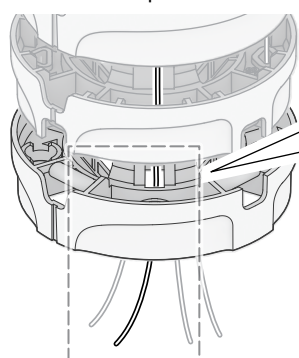
8 PUSH



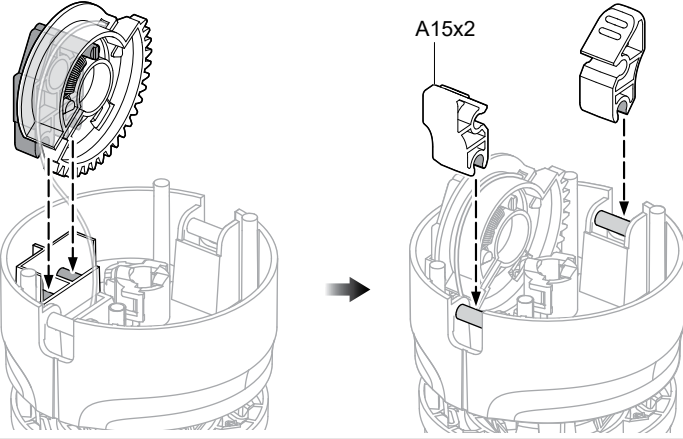
! Make sure the string is at the correct position!



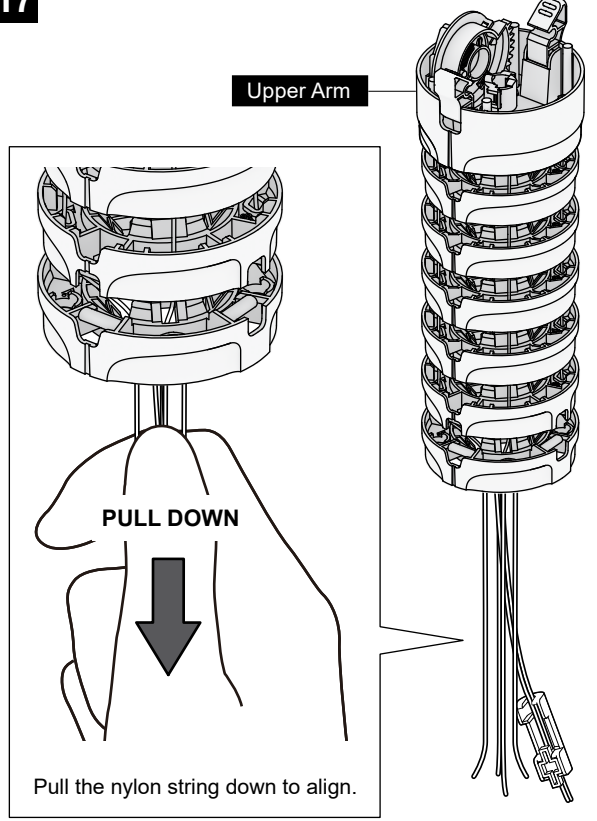
! Make sure the string is at the correct position!



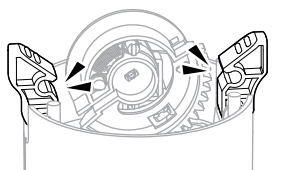
16



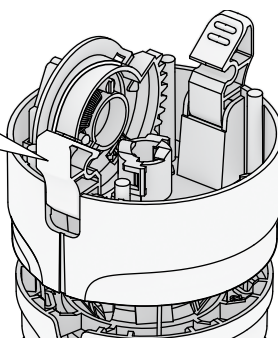
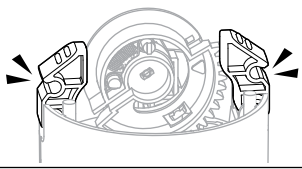
17



✓
Correct



✗
Incorrect

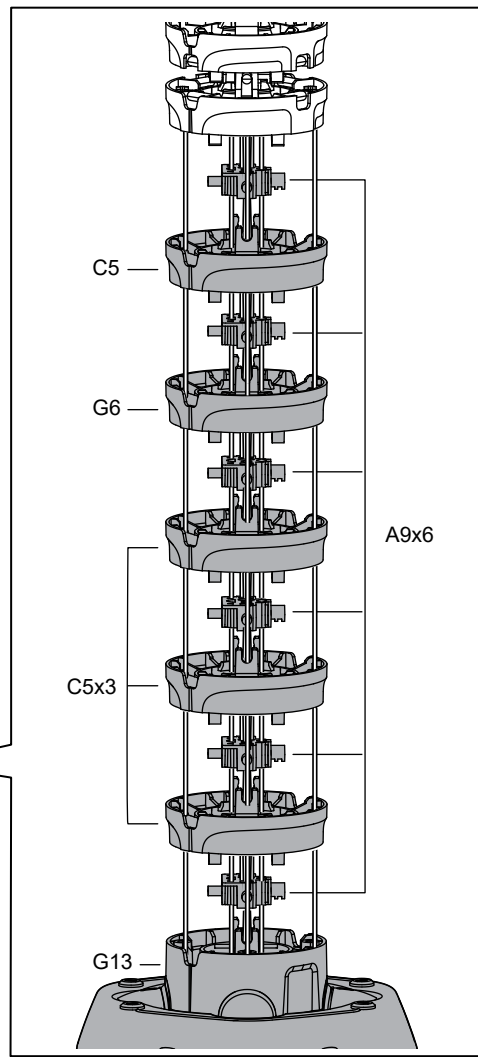
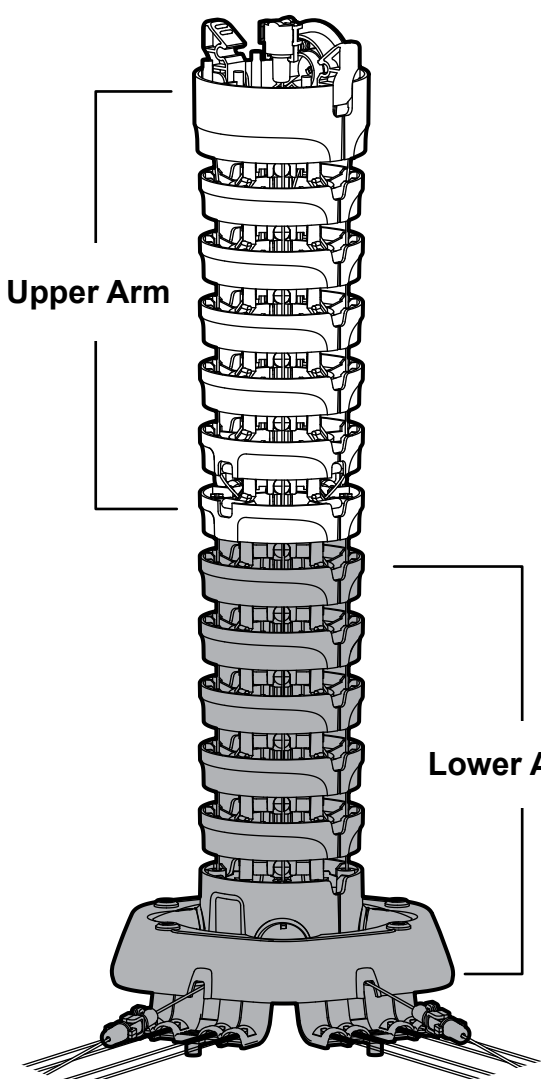


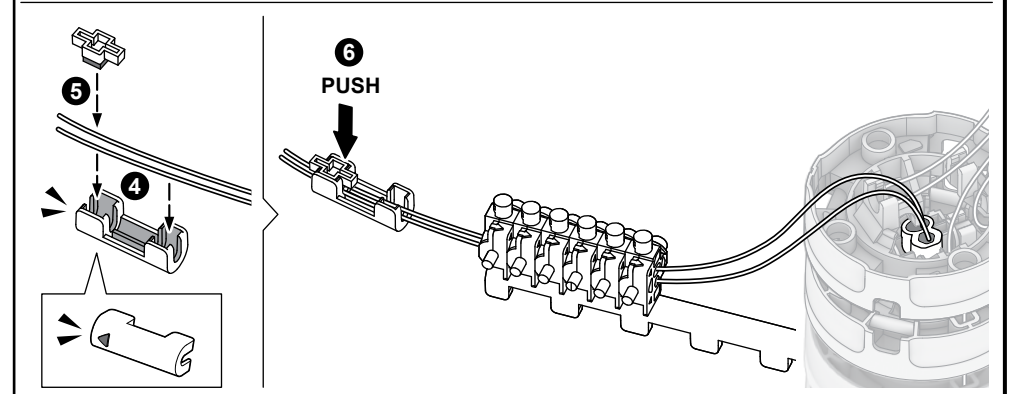
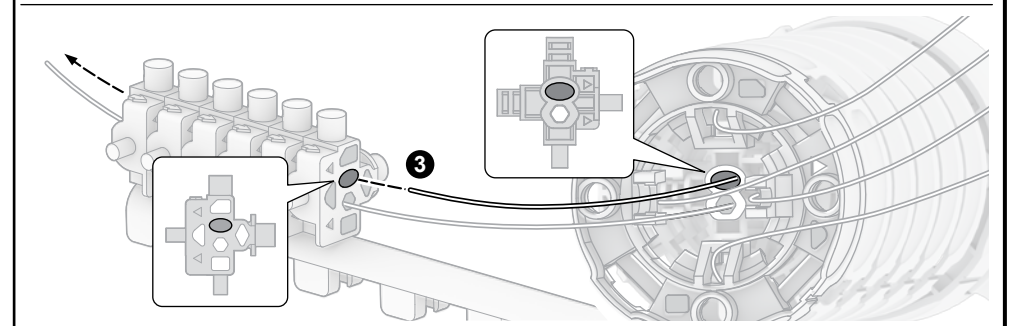
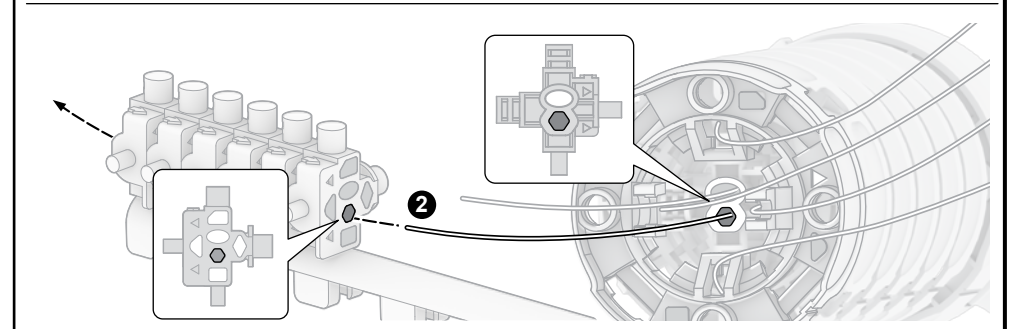
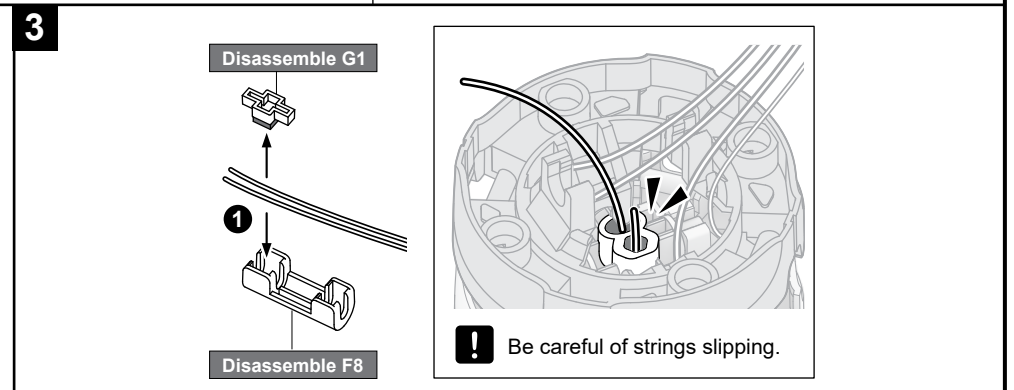
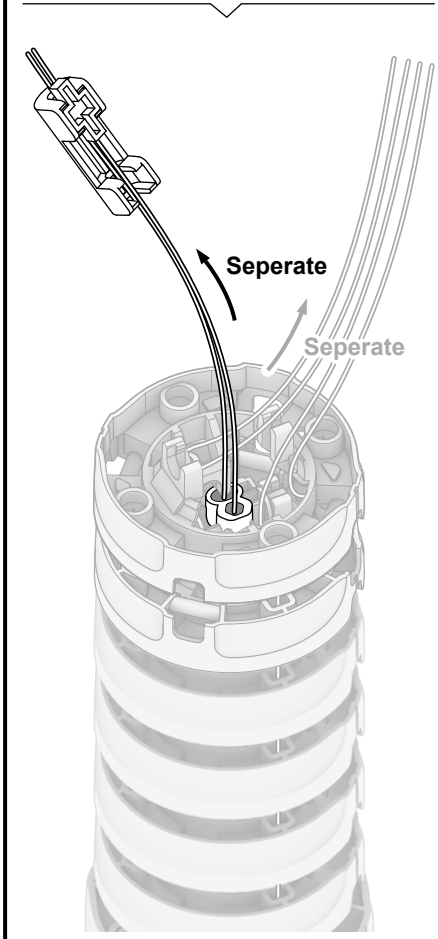
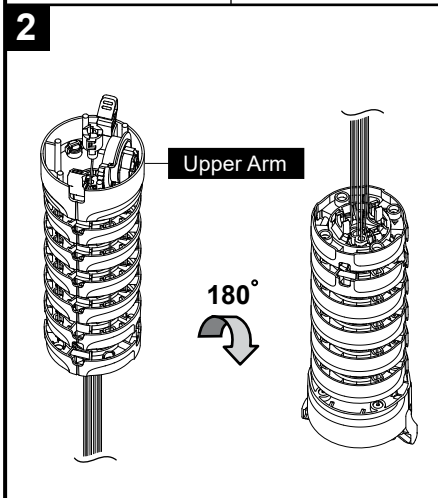
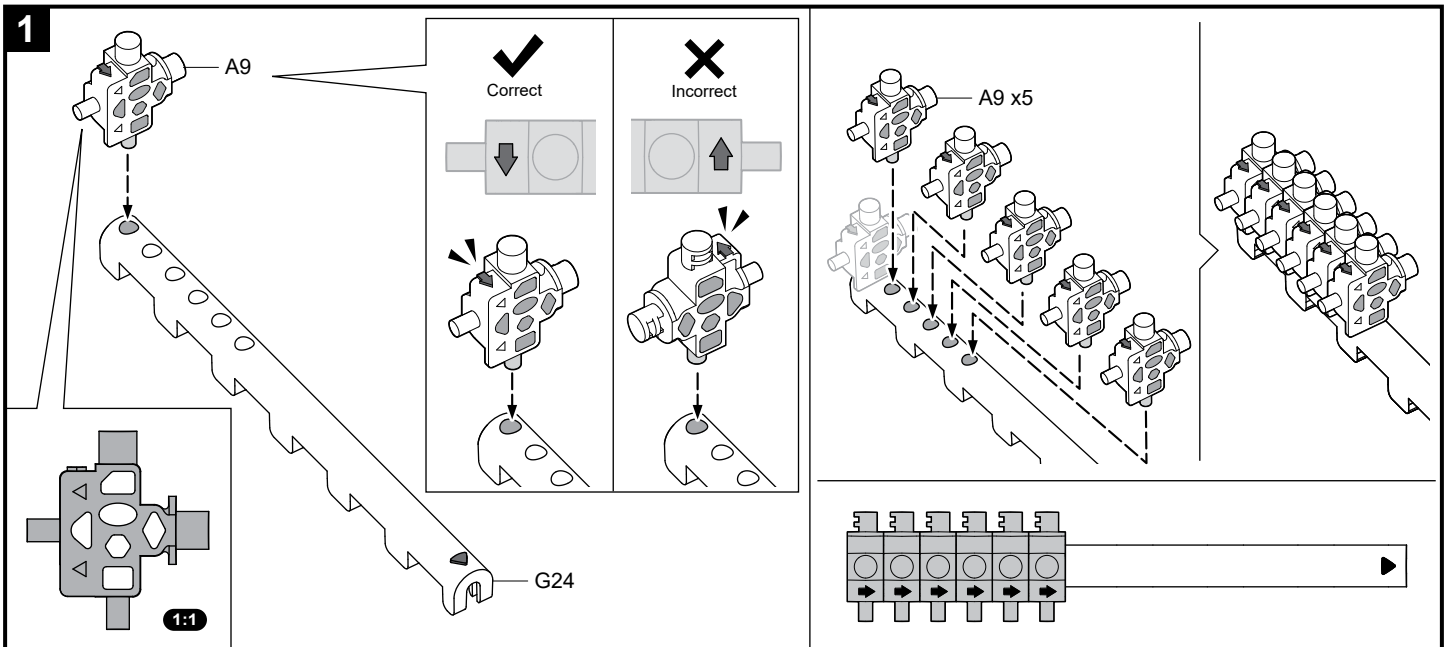
Pull the nylon string down to align.

Lower Arm Assembly

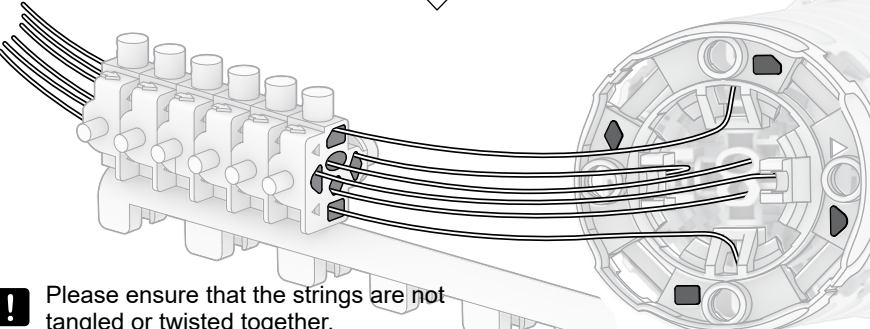
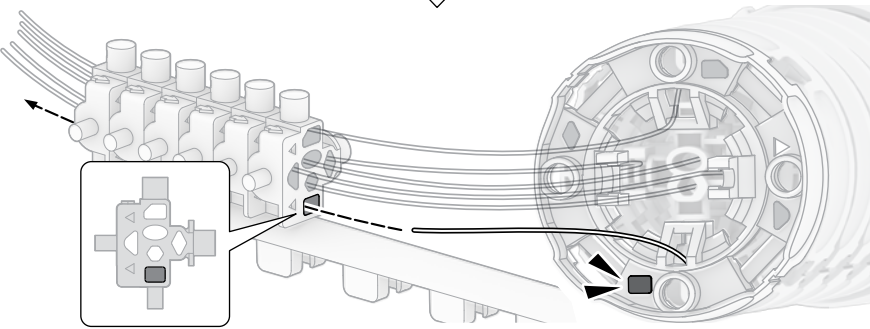
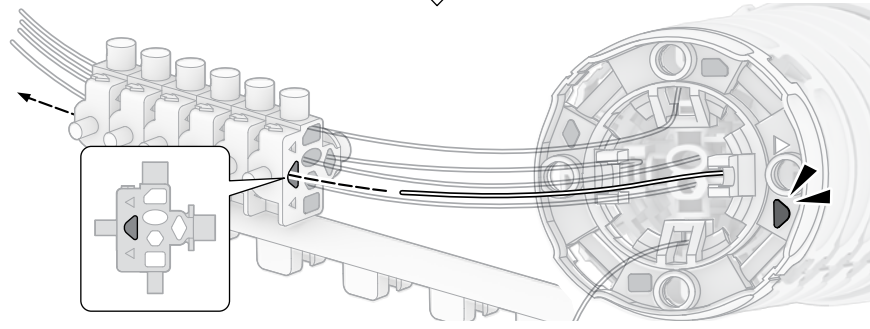
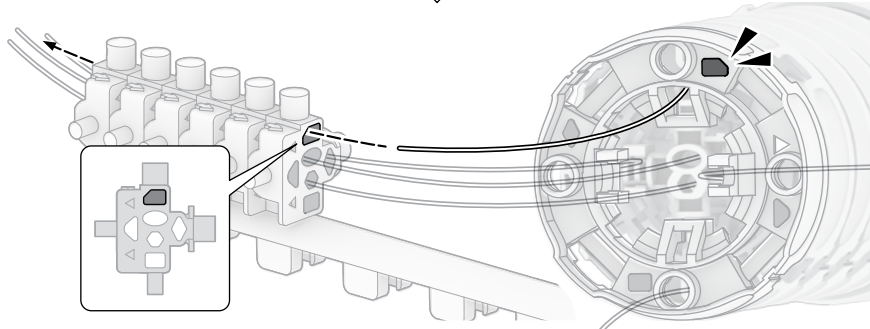
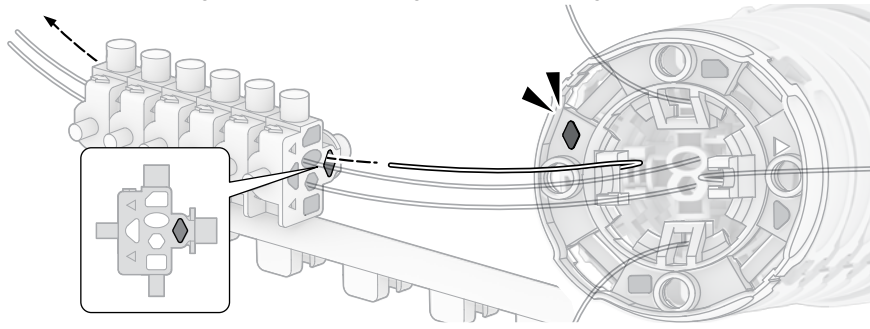


Assembly Tip

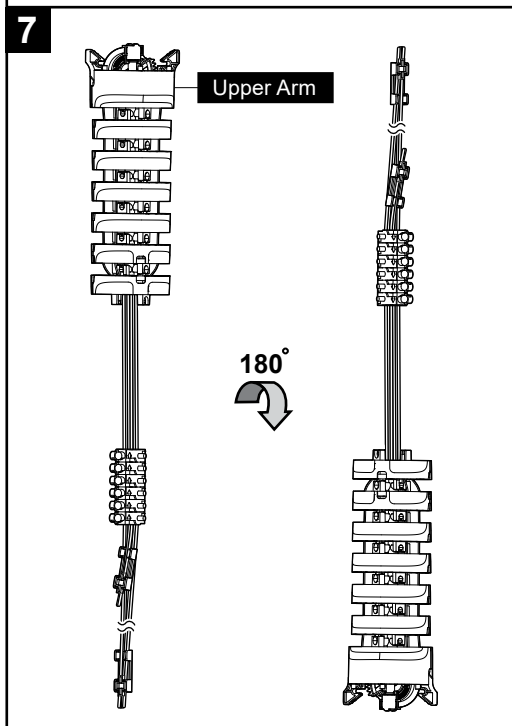
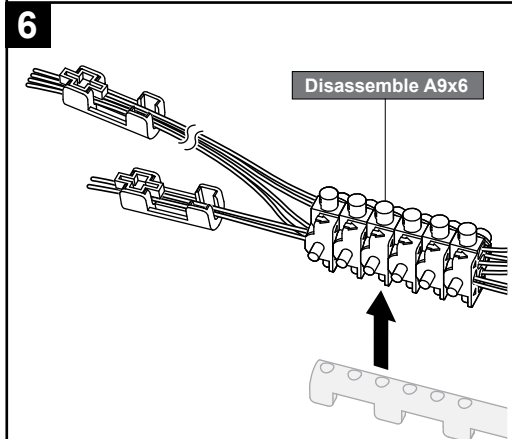
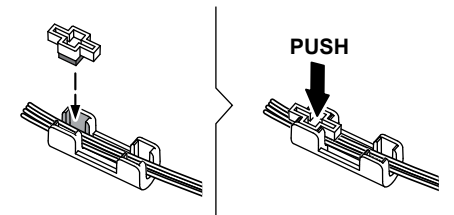
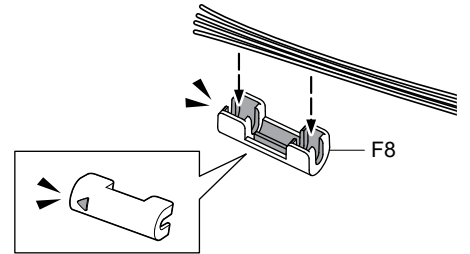
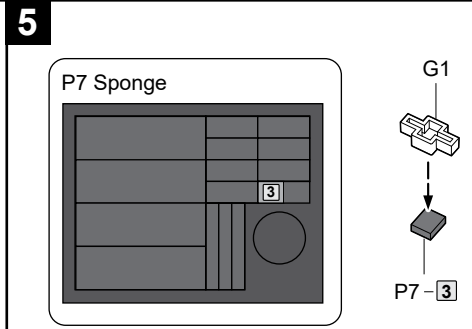
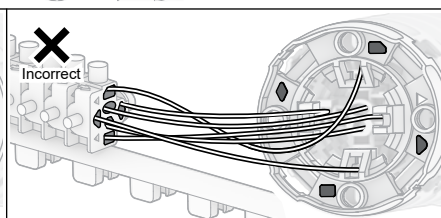
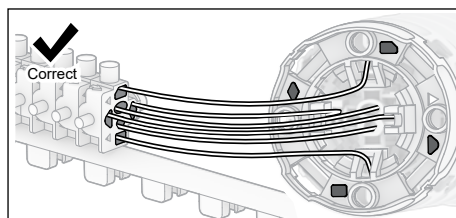




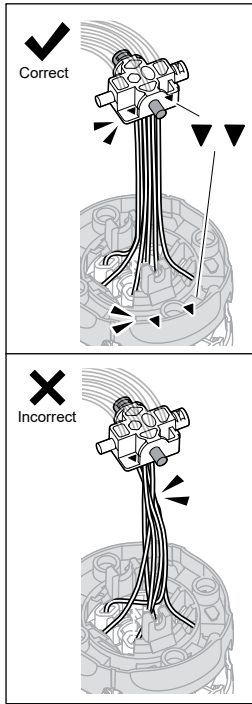
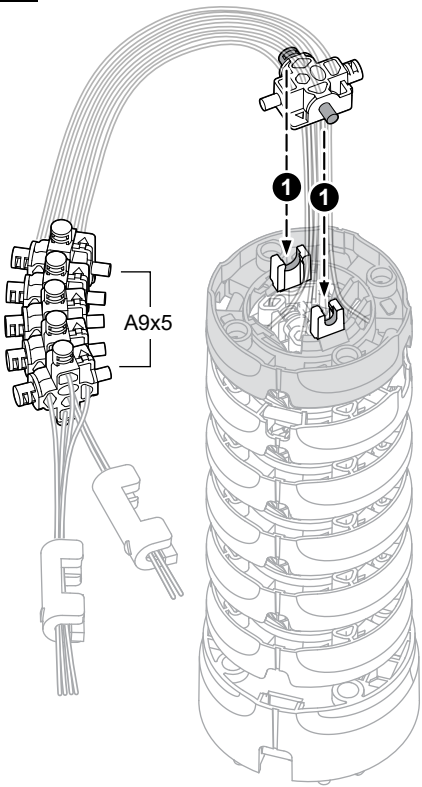
4 **!** Please pull out the nylon string separately, ensuring it is not tangled with other strings before proceeding with the piercing.



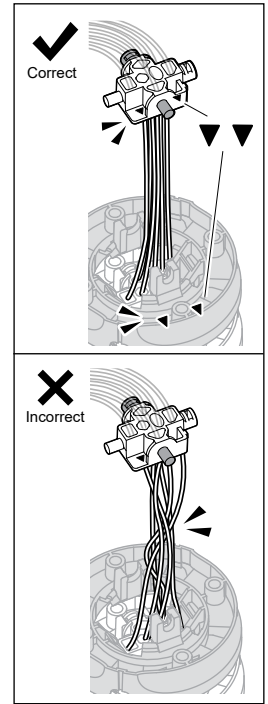
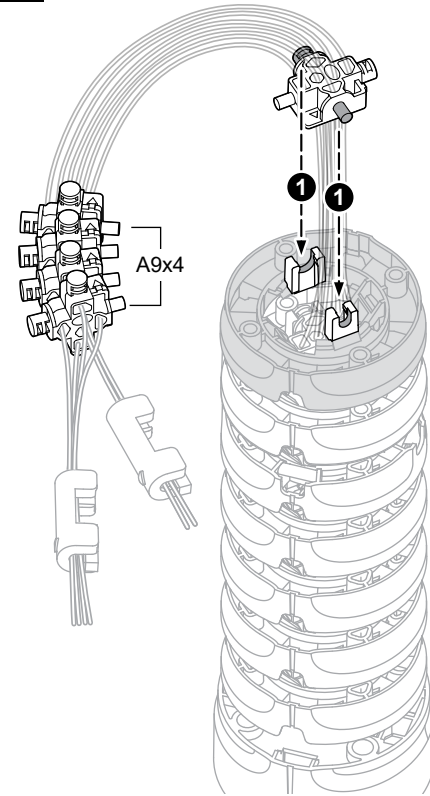
! Please ensure that the strings are not tangled or twisted together.



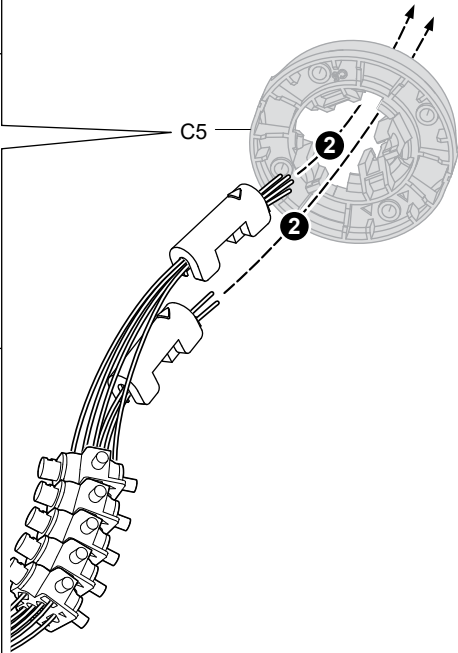
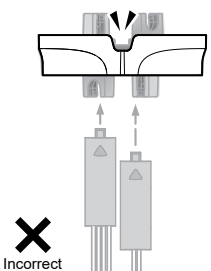
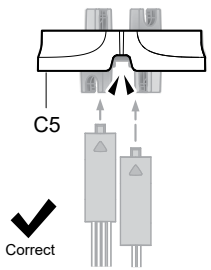
8



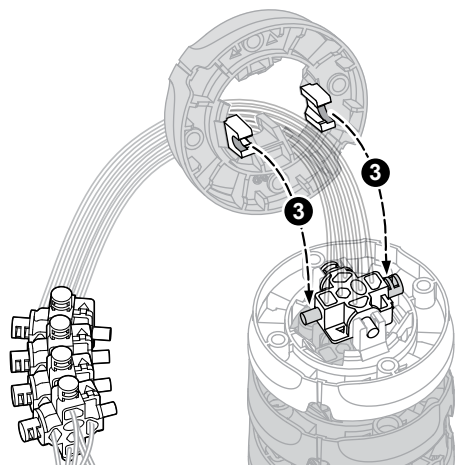
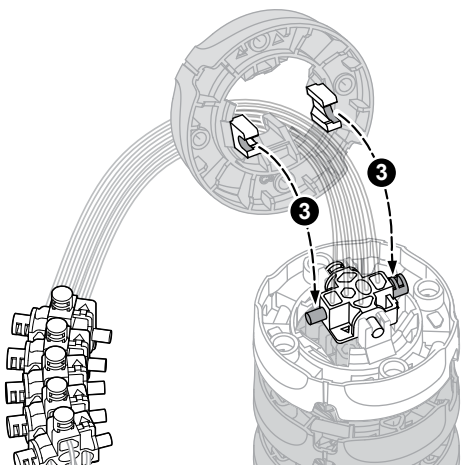
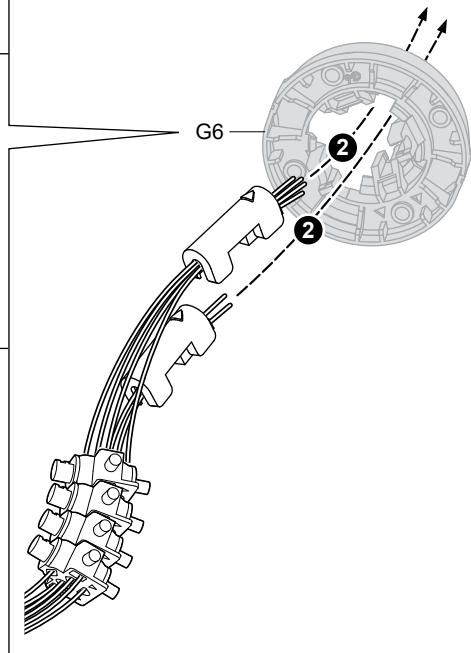
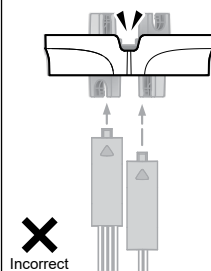
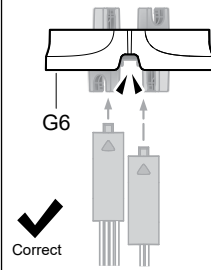
9



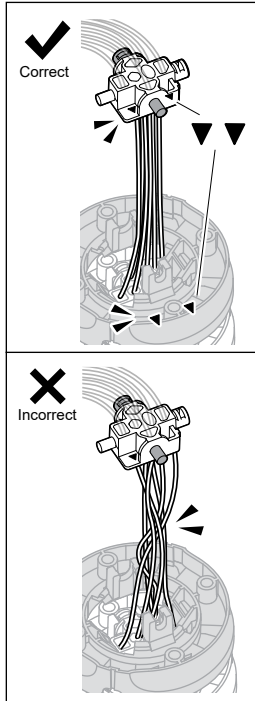
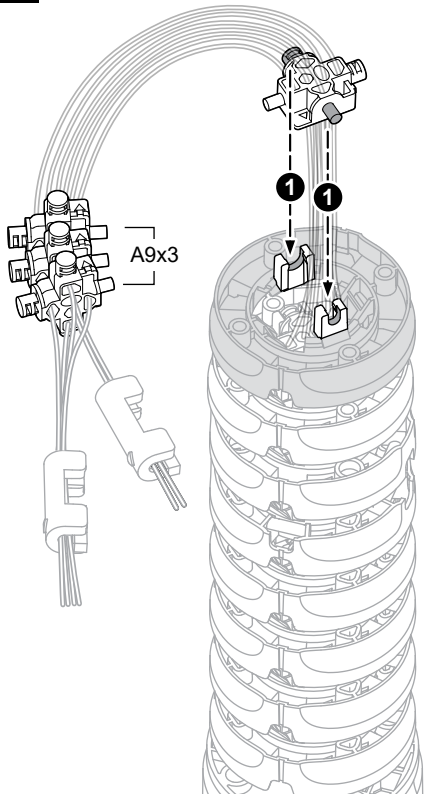
! Pay attention to the direction.



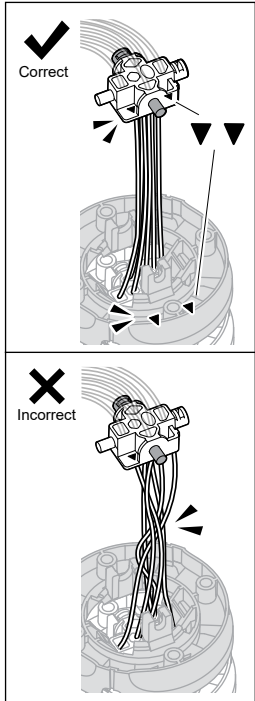
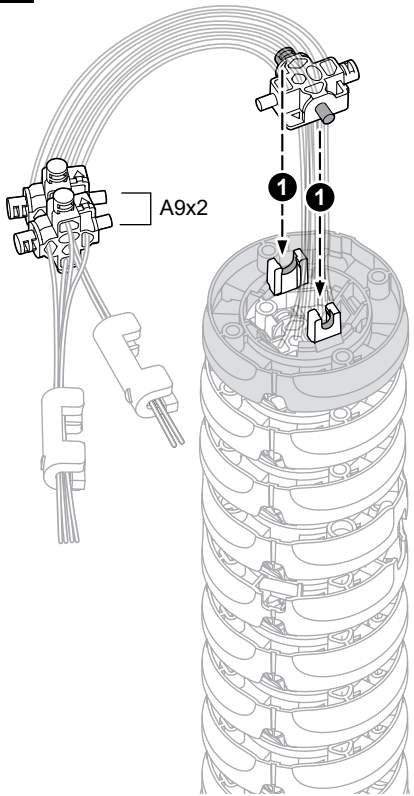
! Pay attention to the direction.



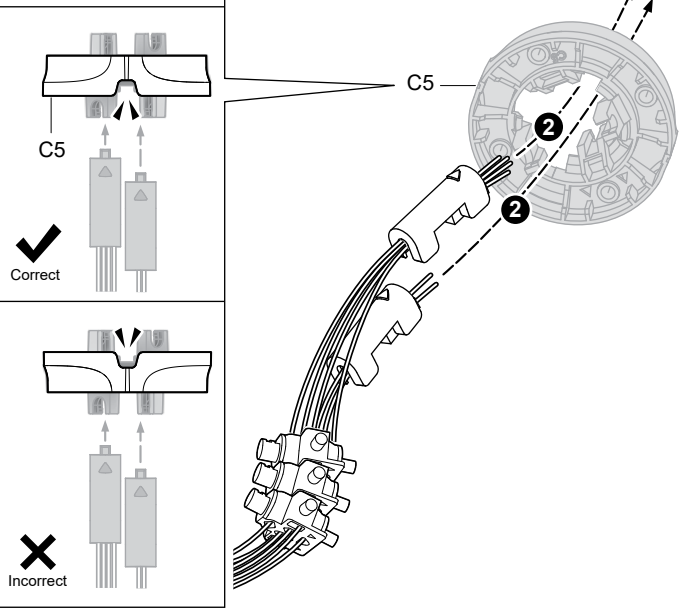
10



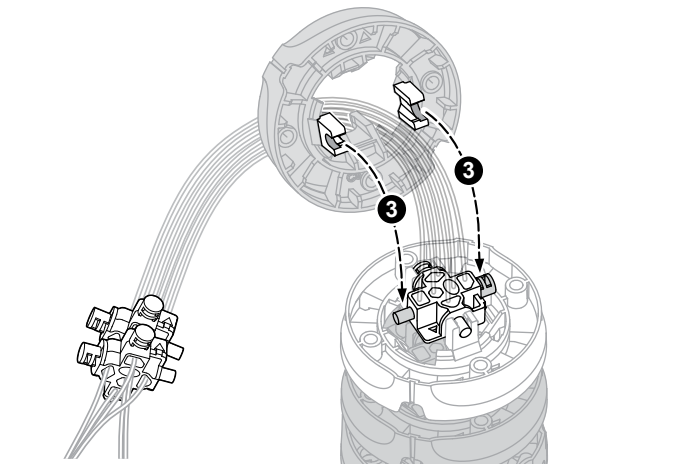
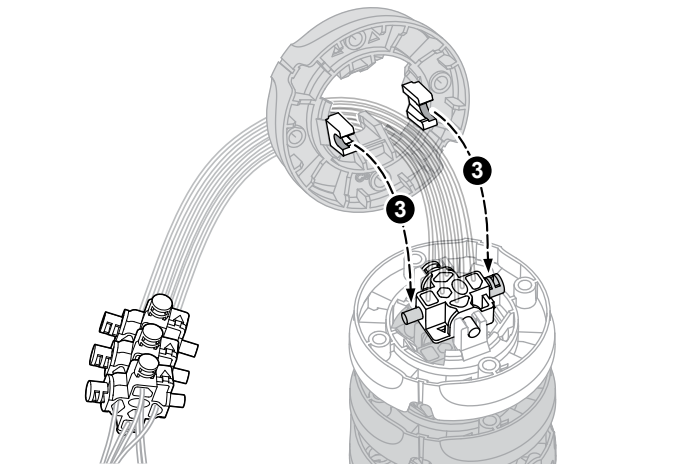
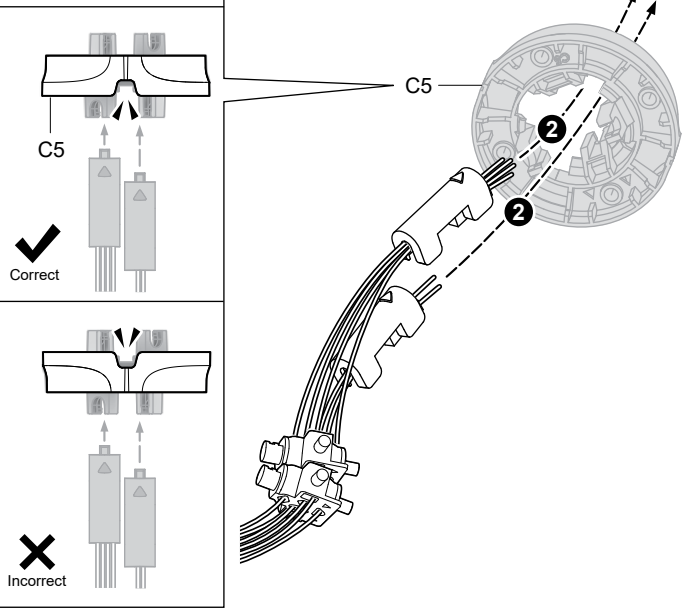
11



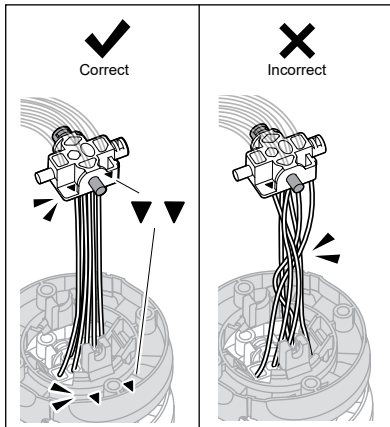
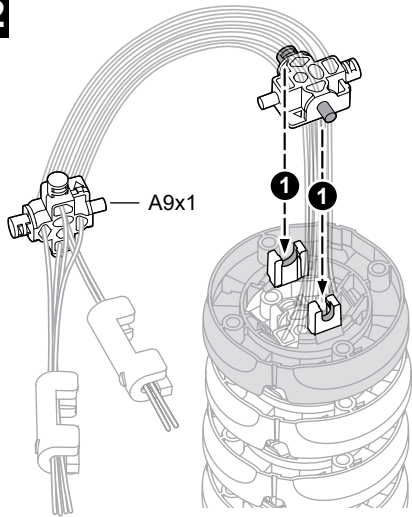
! Pay attention to the direction.



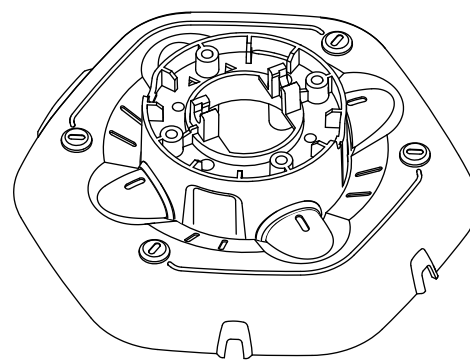
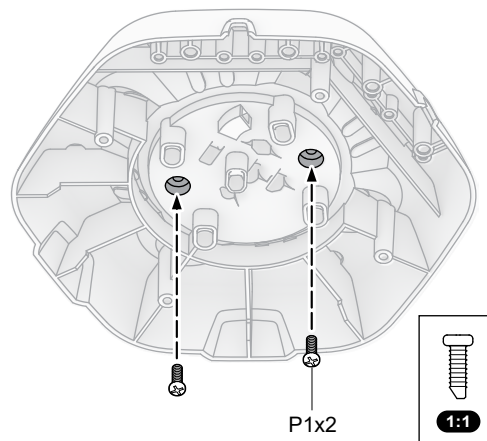
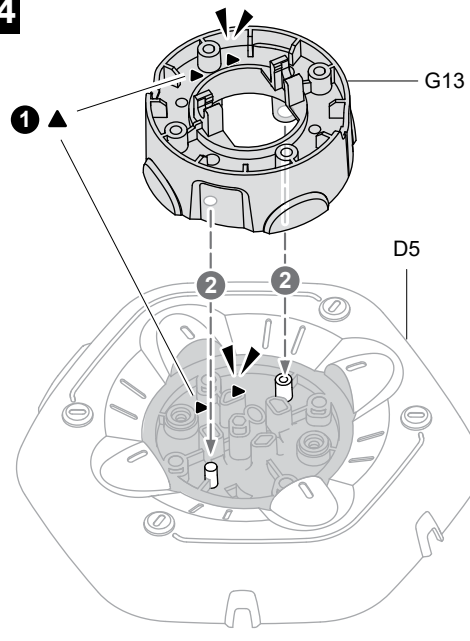
! Pay attention to the direction.



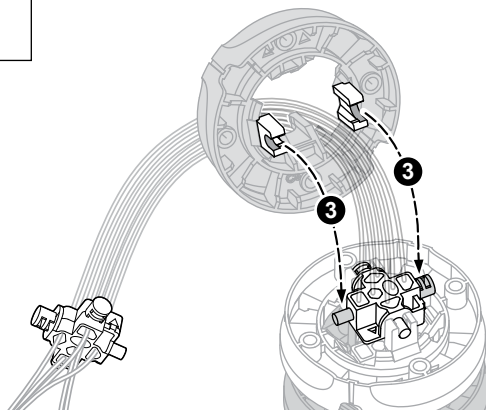
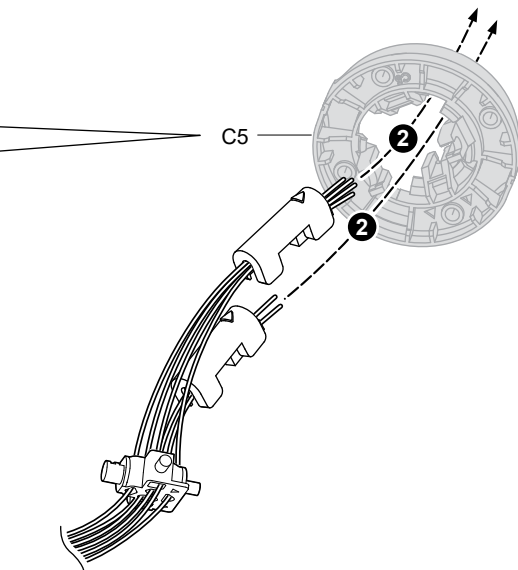
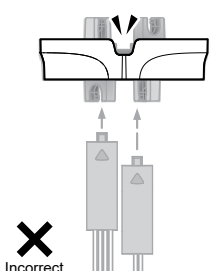
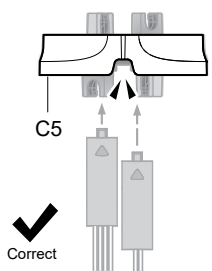
12



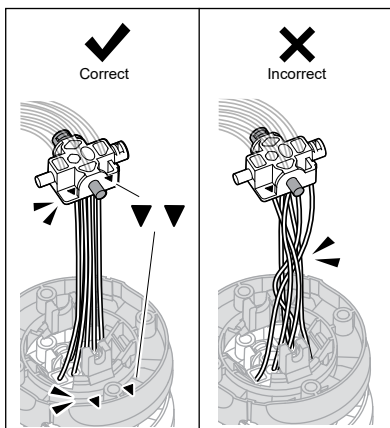
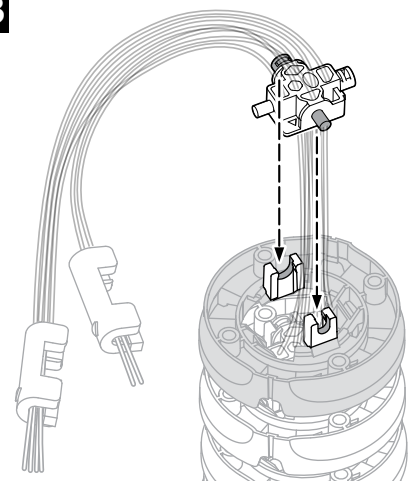
14



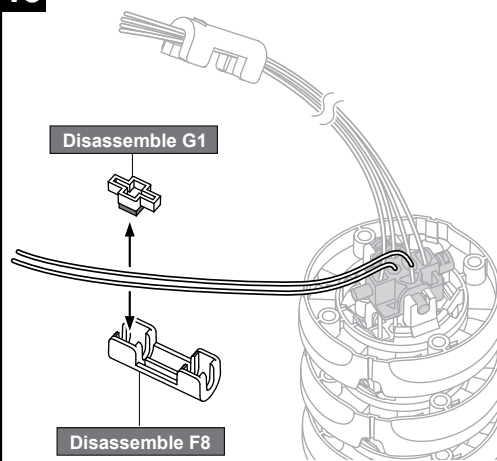
! Pay attention to the direction.



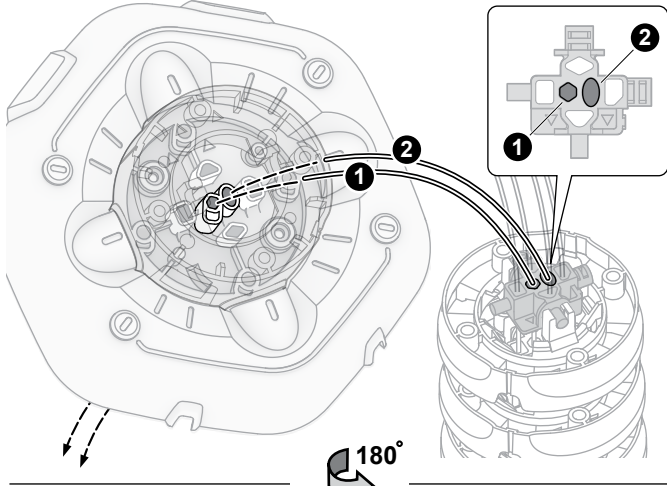
13



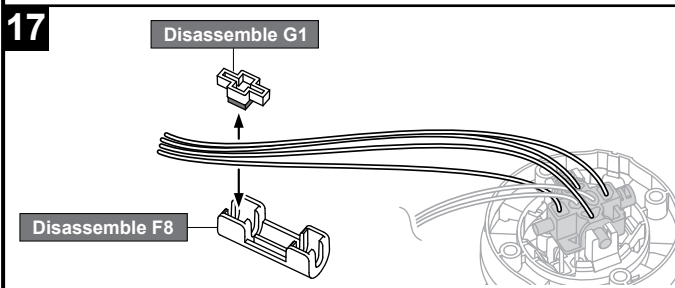
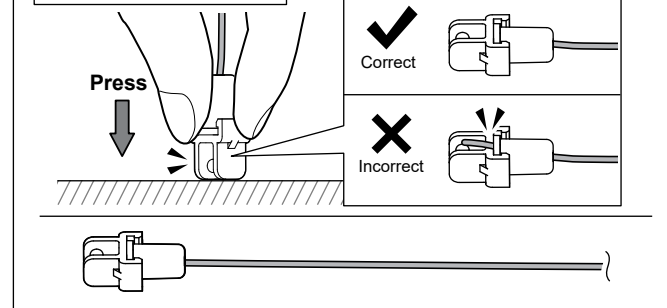
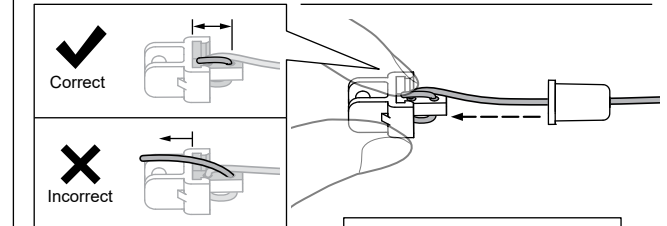
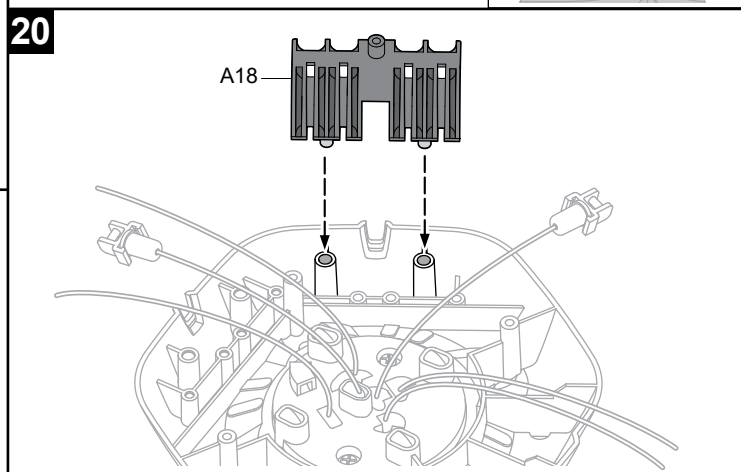
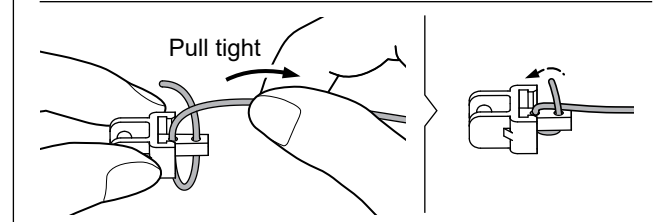
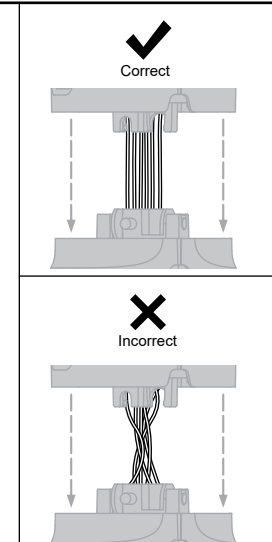
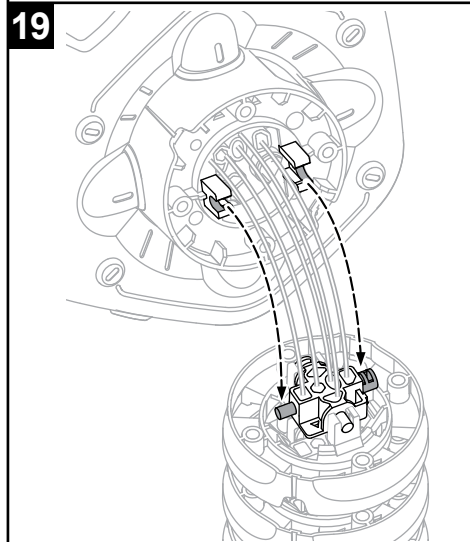
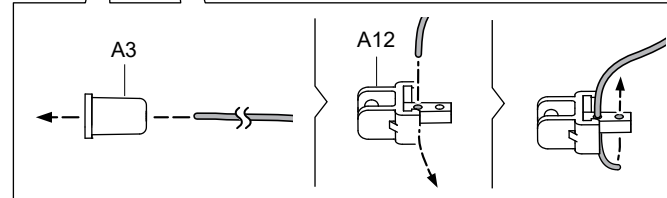
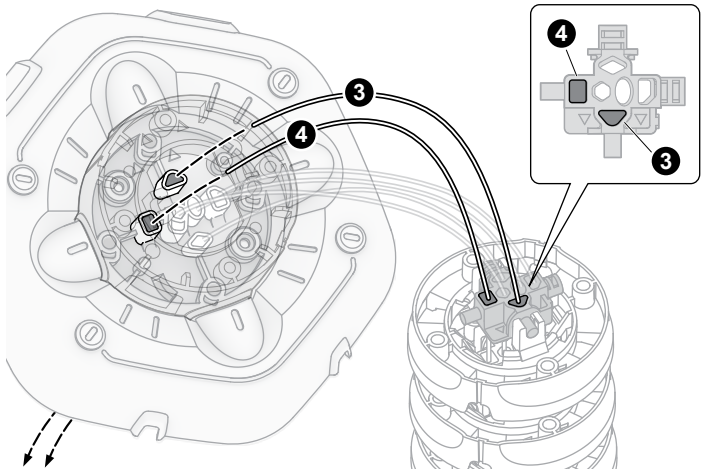
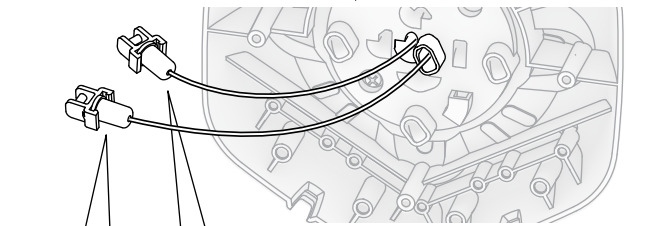
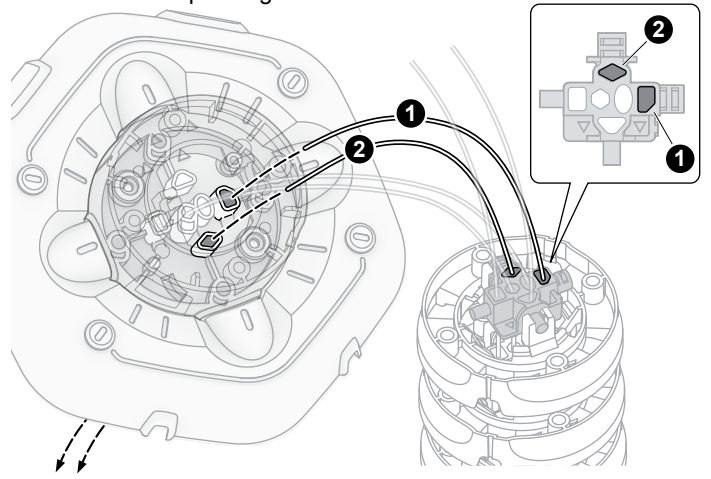
15

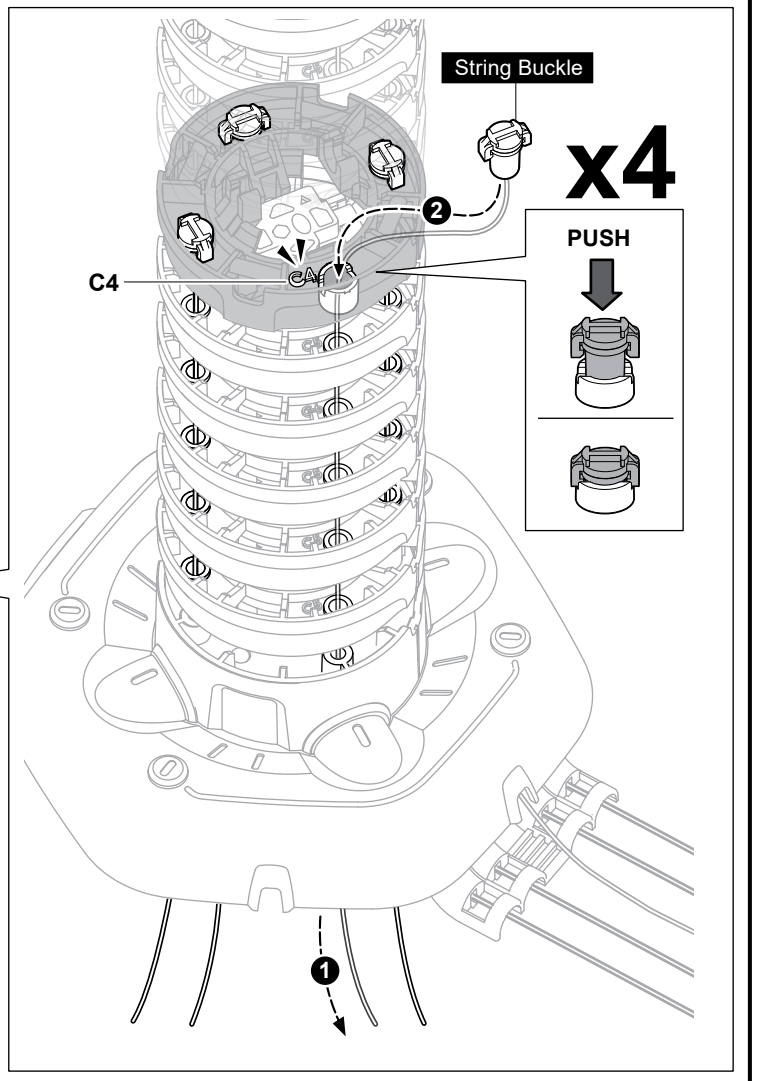
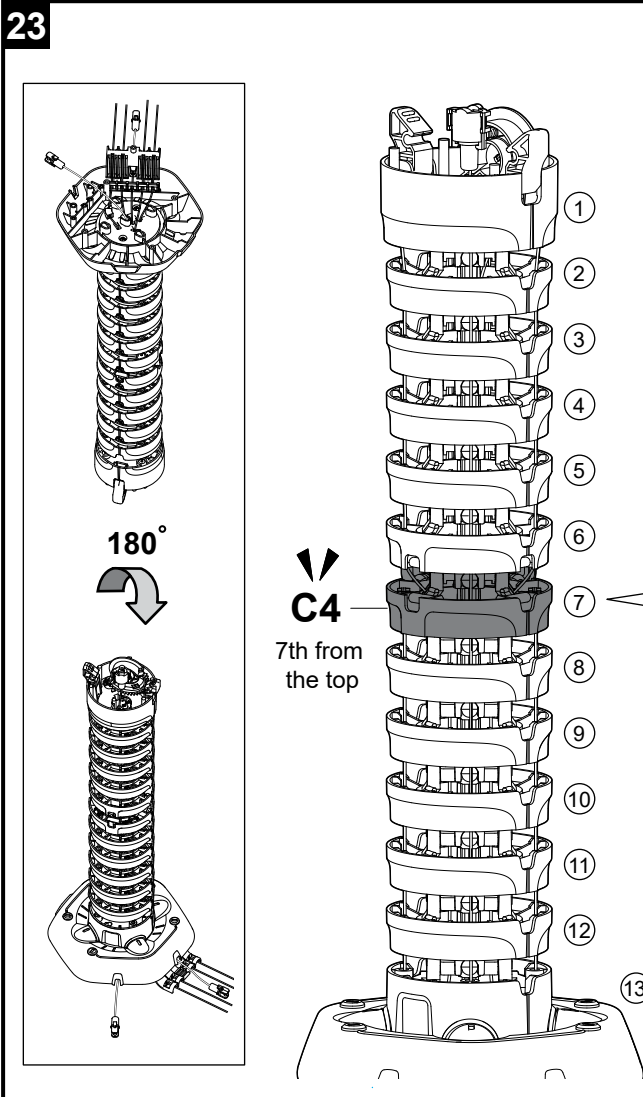
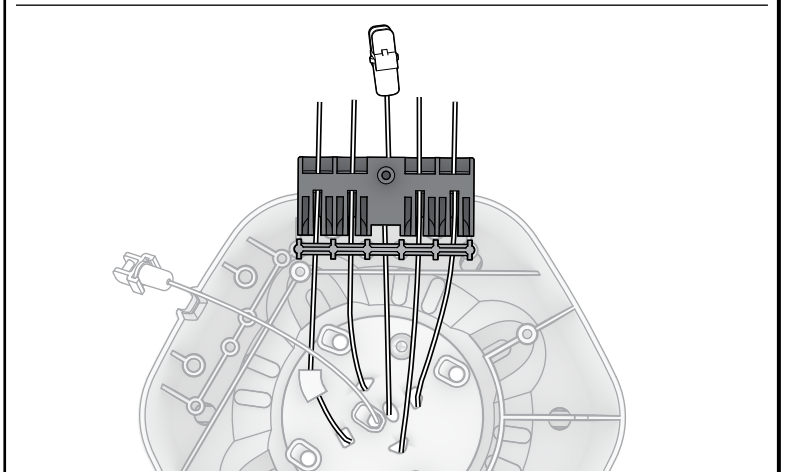
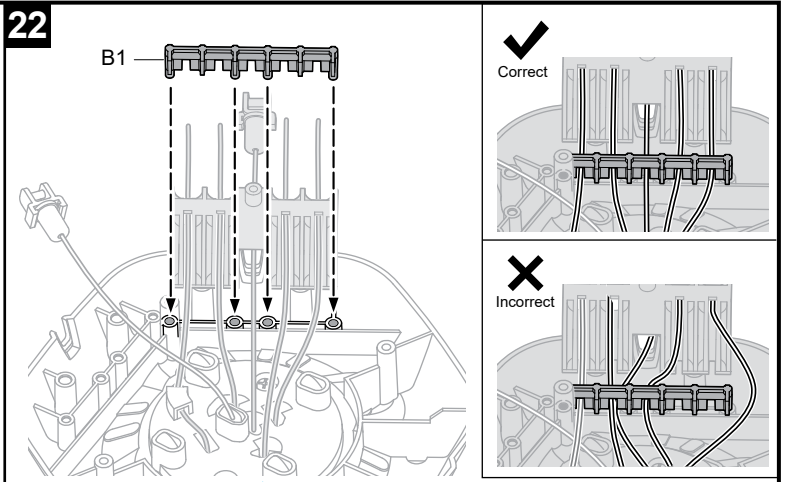
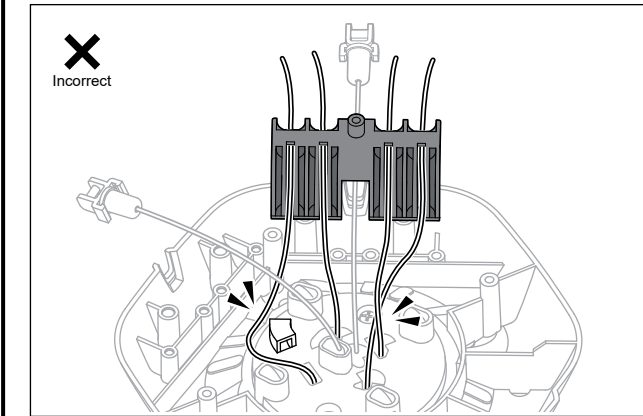
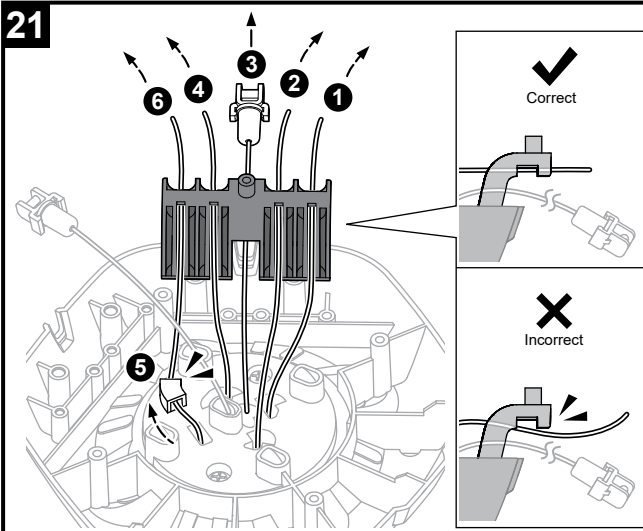


16 ! Please pull out the nylon string separately, ensuring it is not tangled with other strings before proceeding with the piercing.

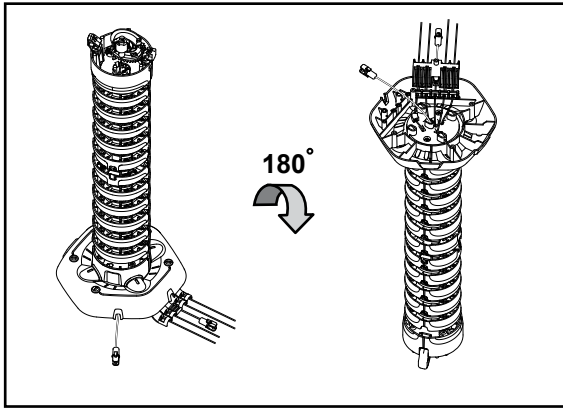


18 ! Please pull out the nylon string separately, ensuring it is not tangled with other strings before proceeding with the piercing.

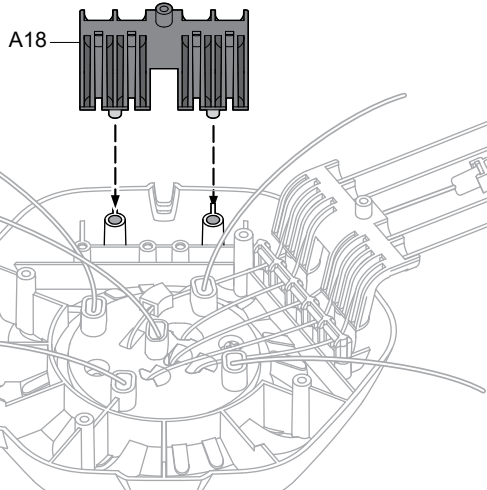
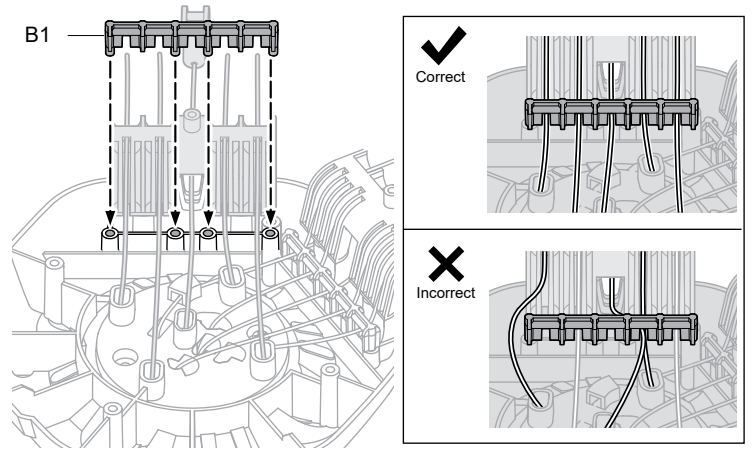




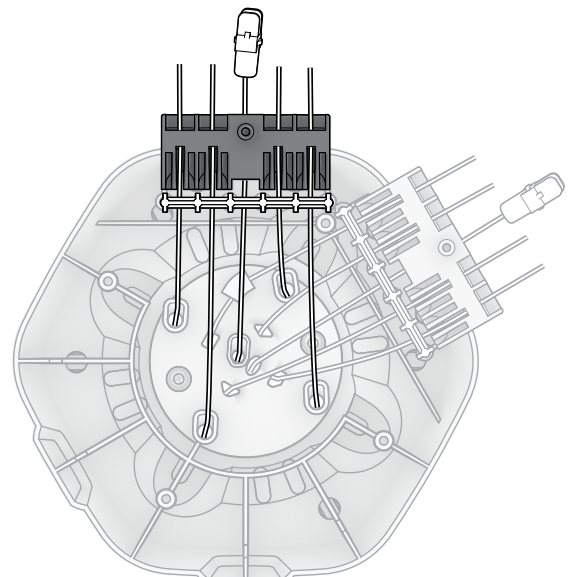
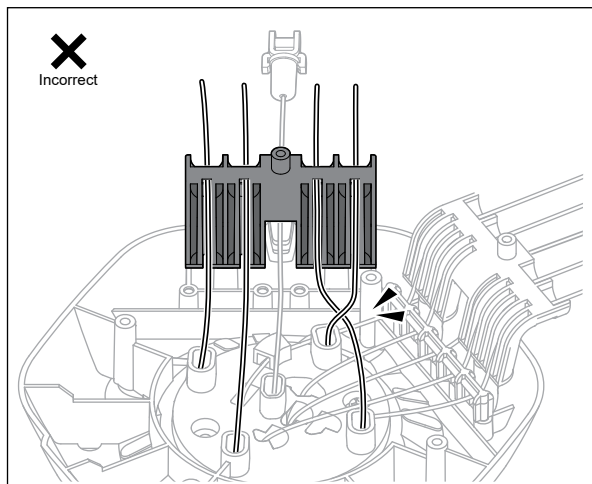
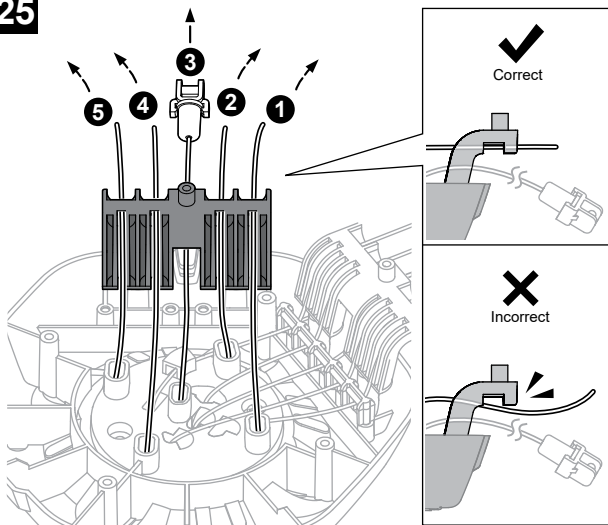
24



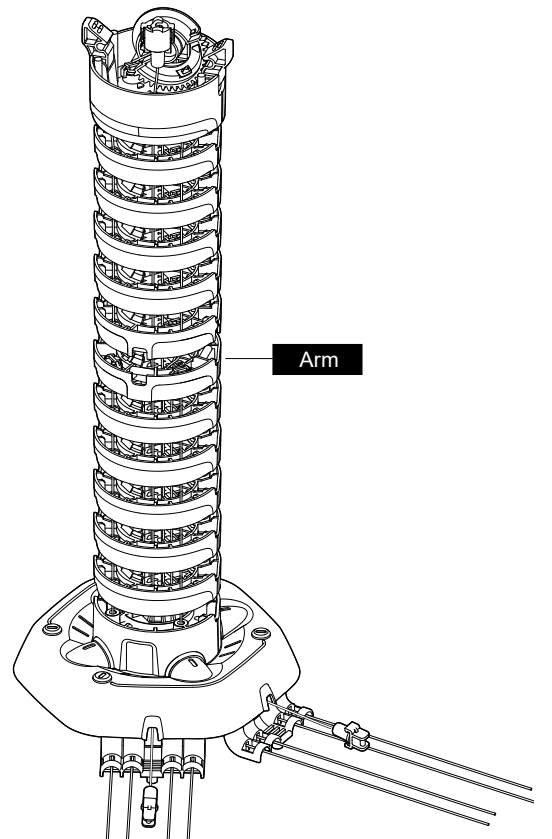
26



25



180°



Testing

Upper Arm Testing

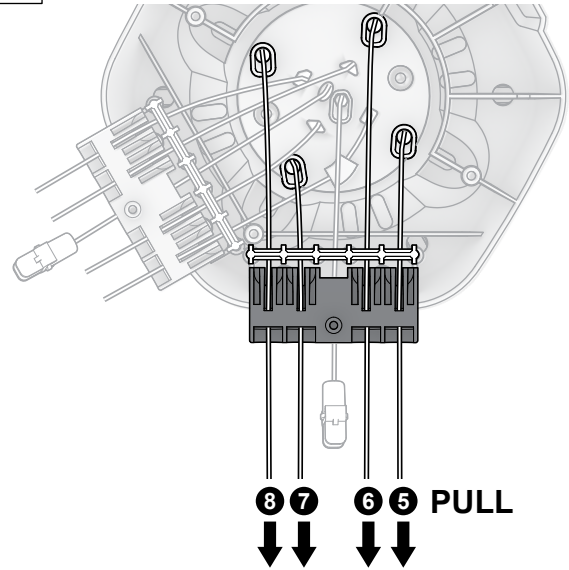
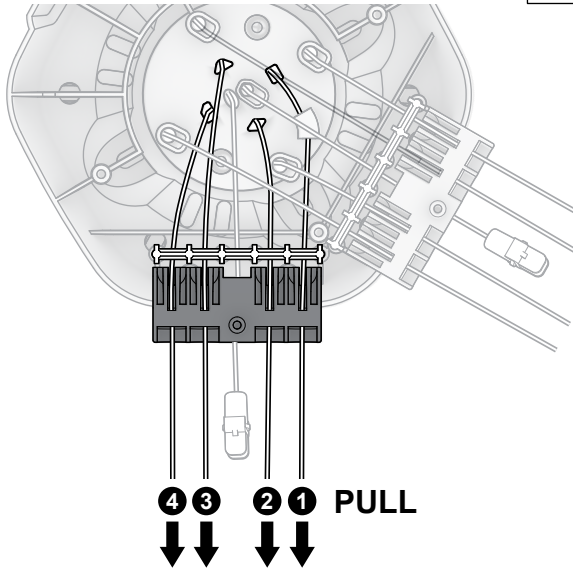
! Straighten the arm before pulling different strings.



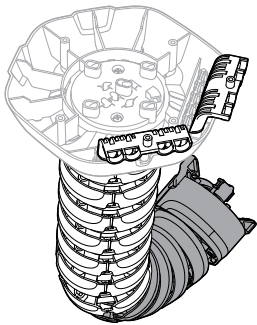
Assembly Tip

Lower Arm Testing

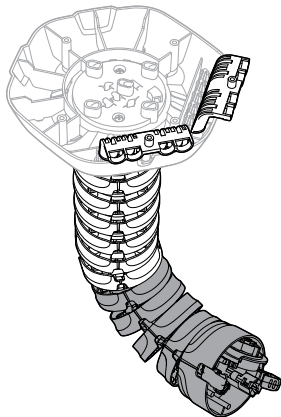
! Straighten the arm before pulling different strings.



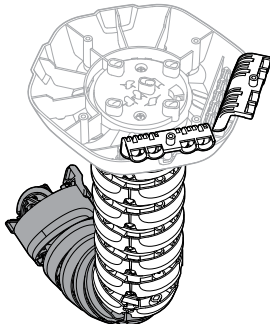
Pull 1 string



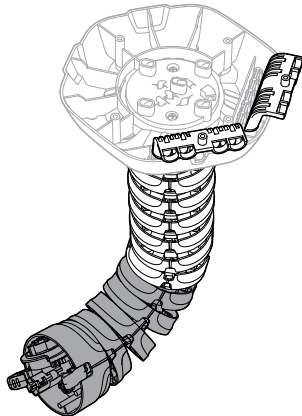
Pull 2 string



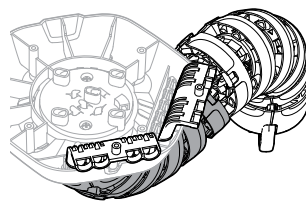
Pull 3 string



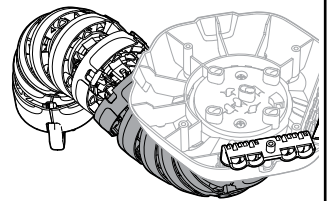
Pull 4 string



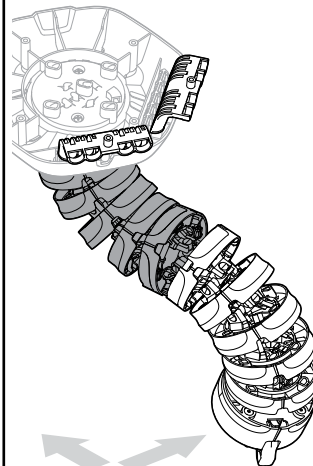
Pull 5 string



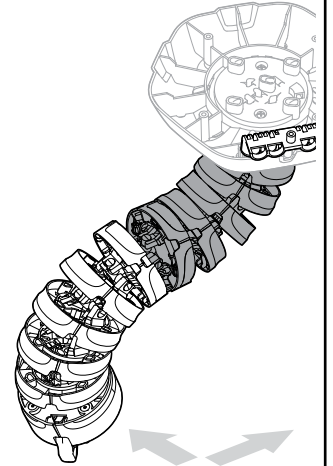
Pull 6 string



Pull 7 string



Pull 8 string

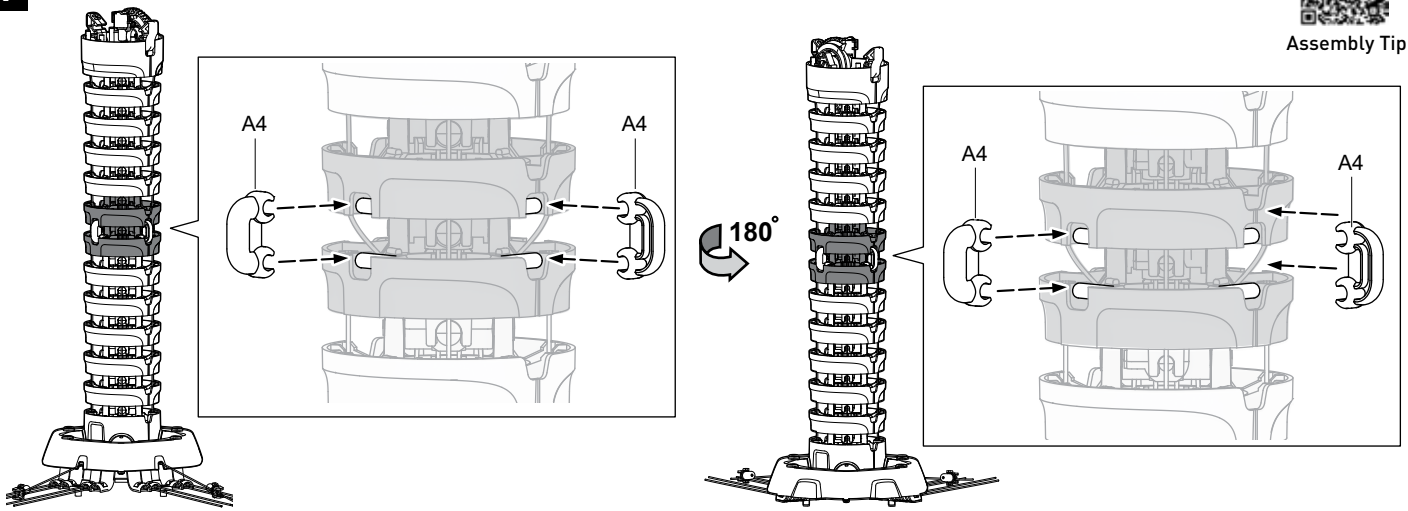


Final Assembly



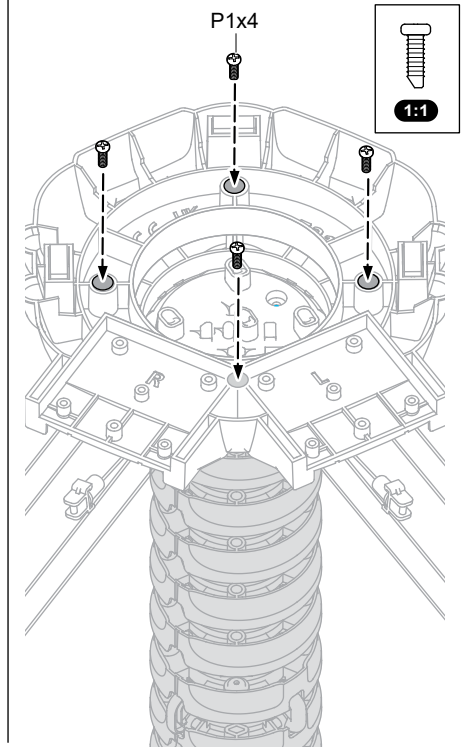
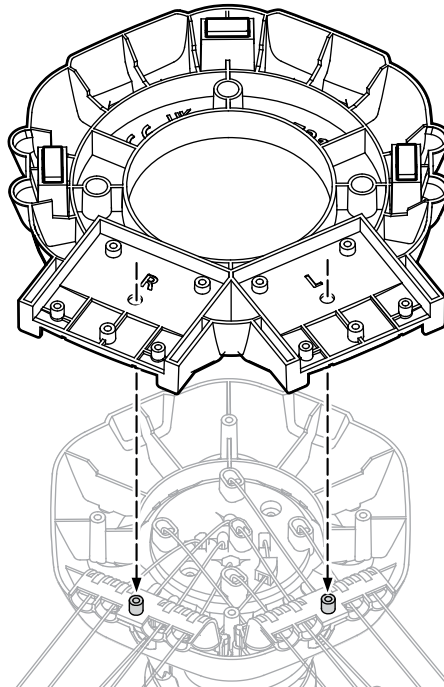
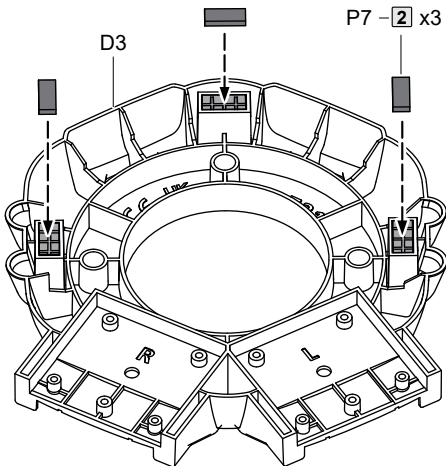
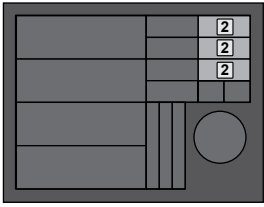
Assembly Tip

1

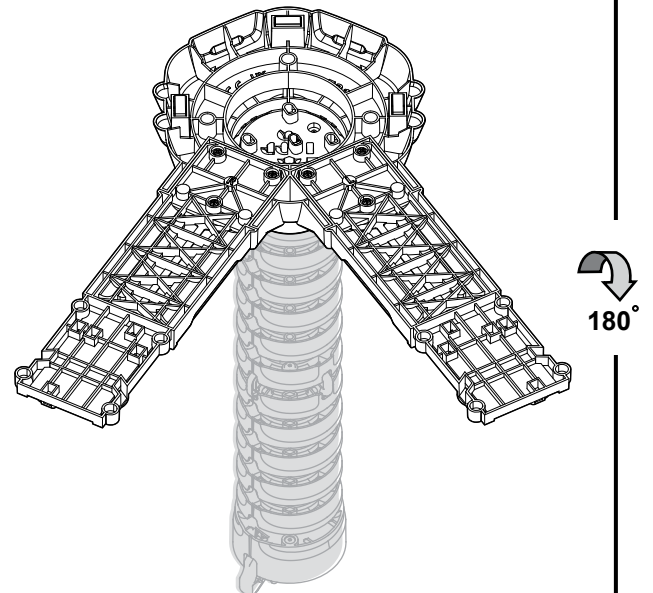
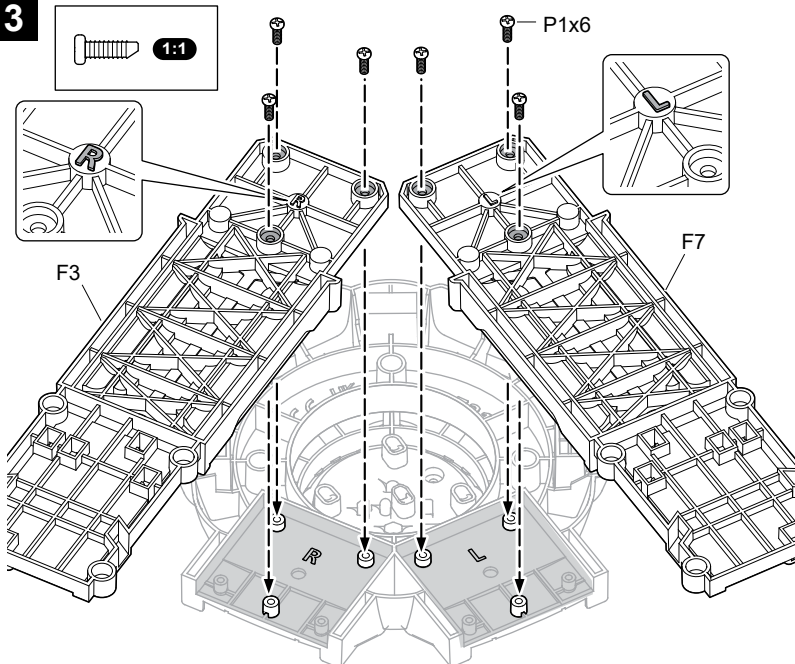


2

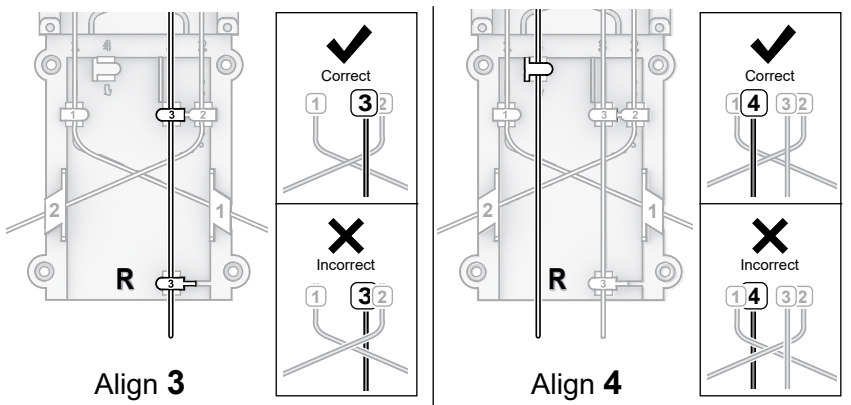
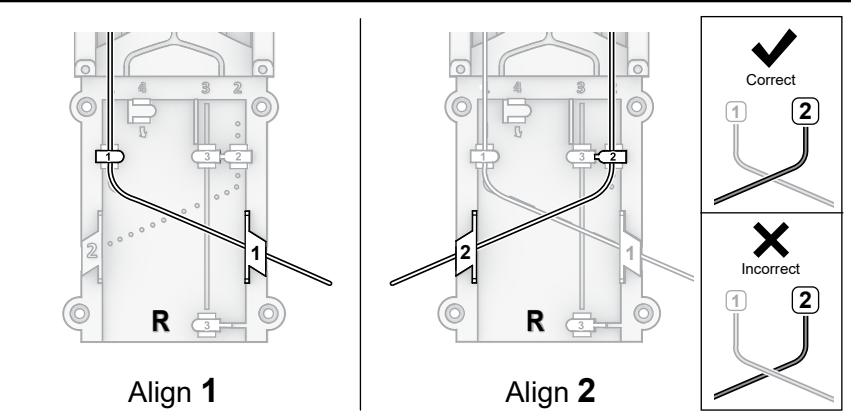
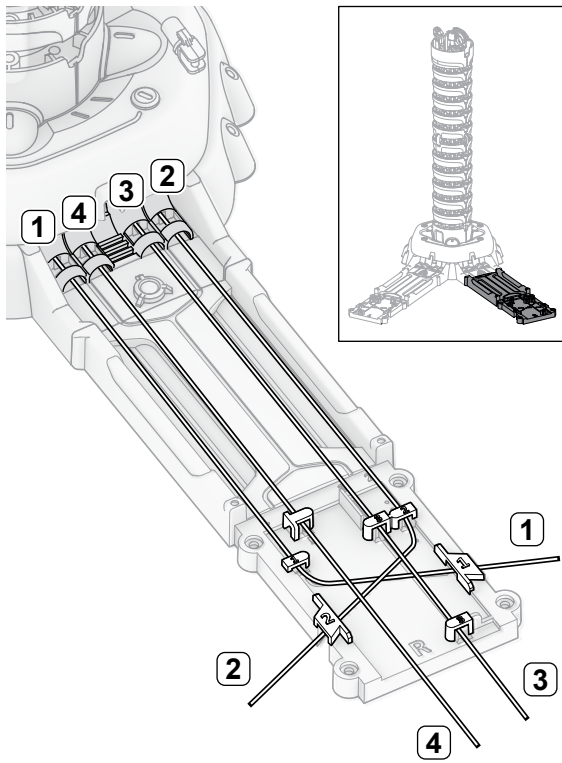
P7 Sponge



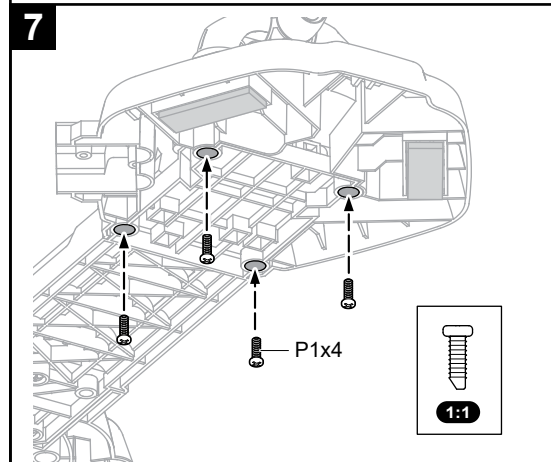
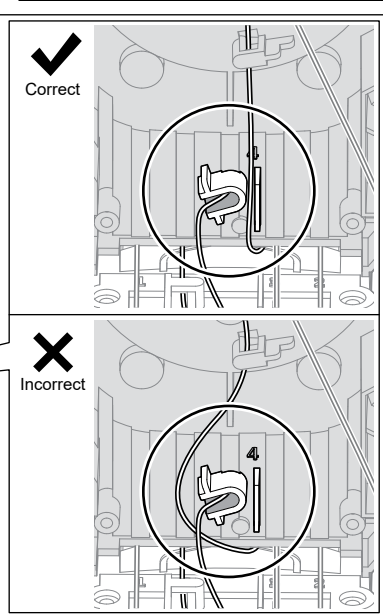
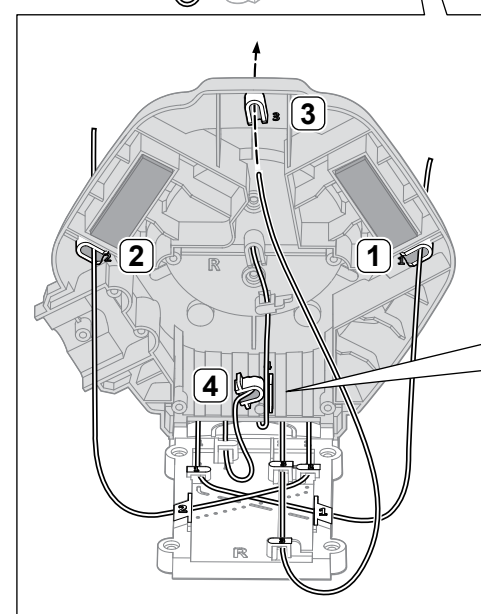
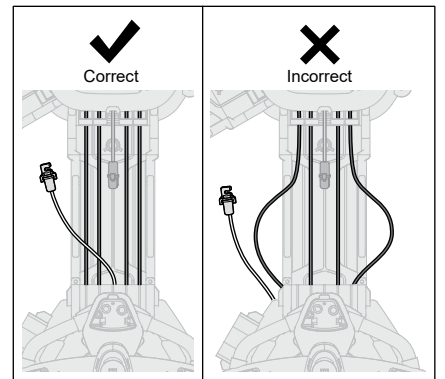
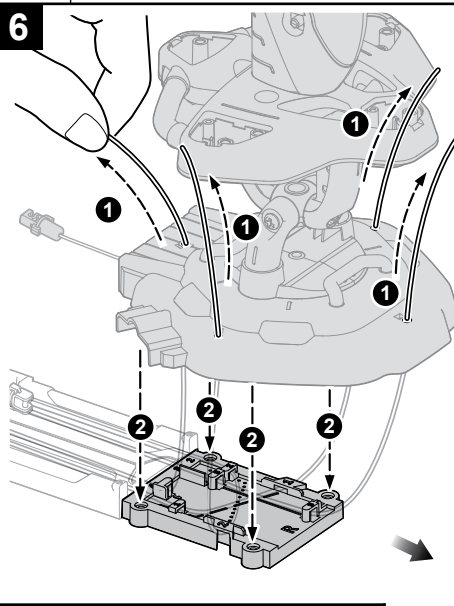
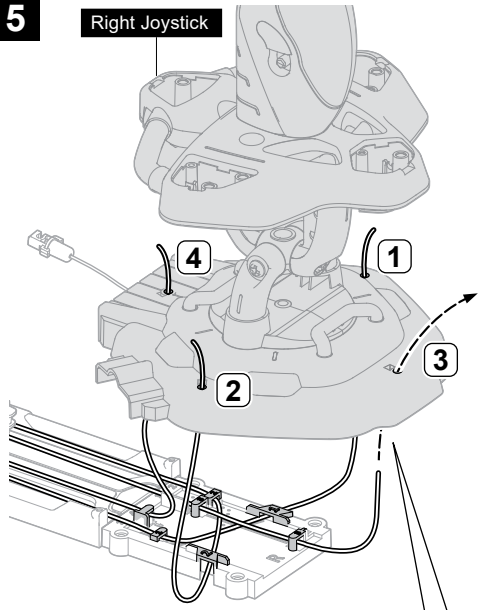
3



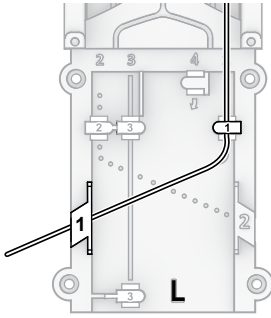
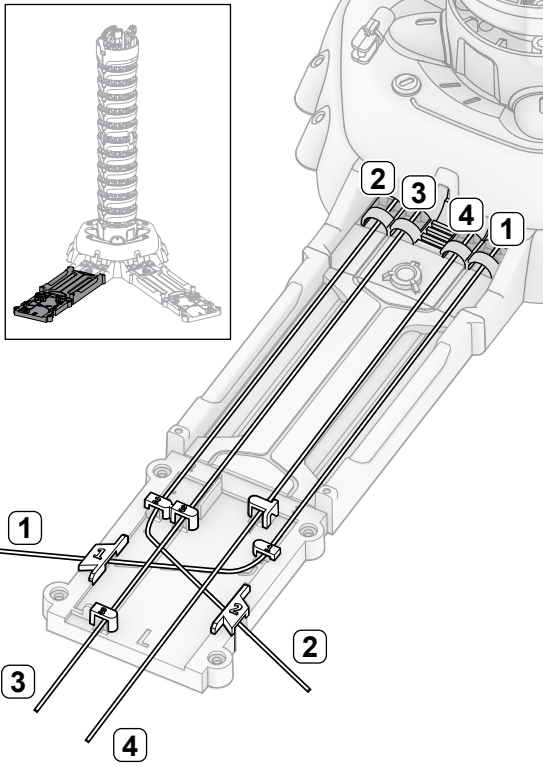
4 Align according to the numbers 1- 4.



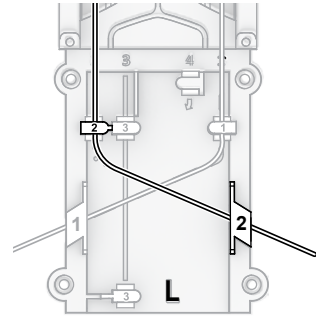
5 Right Joystick



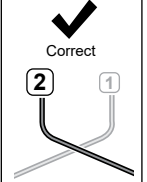
8 Align according to the numbers 1-4.



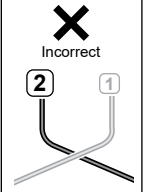
Align 1



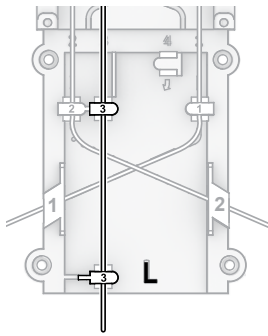
Align 2



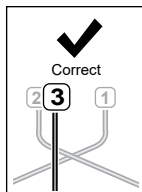
Correct



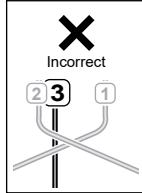
Incorrect



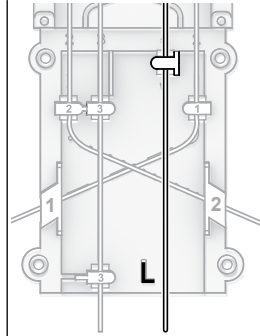
Align 3



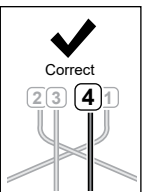
Correct



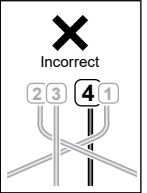
Incorrect



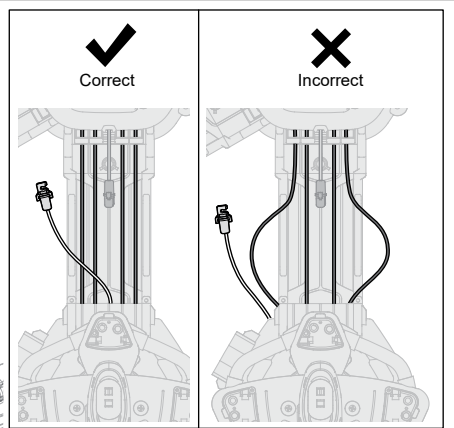
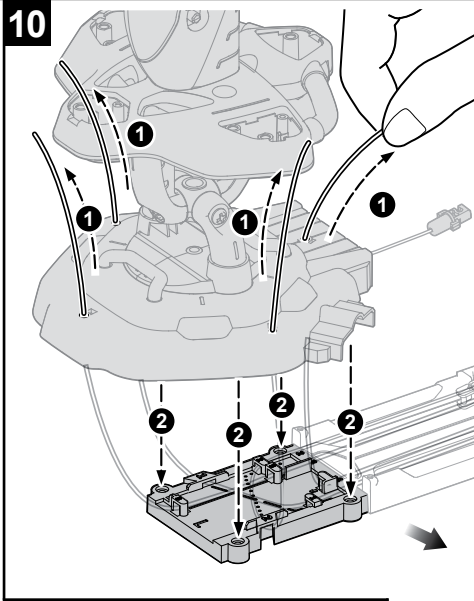
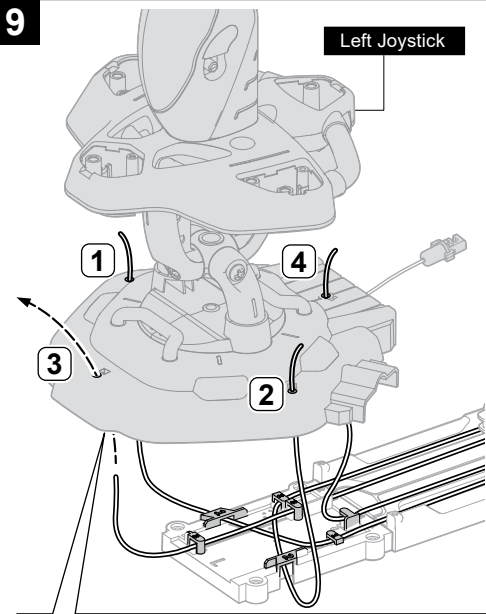
Align 4



Correct

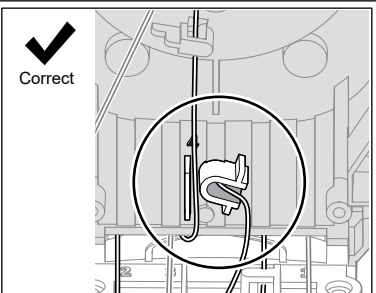
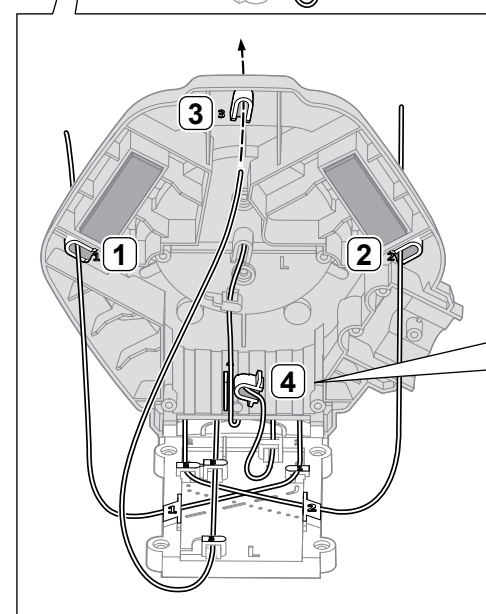
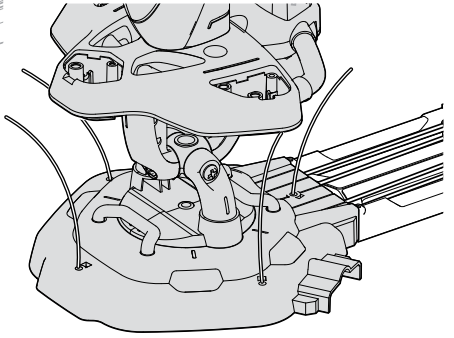


Incorrect

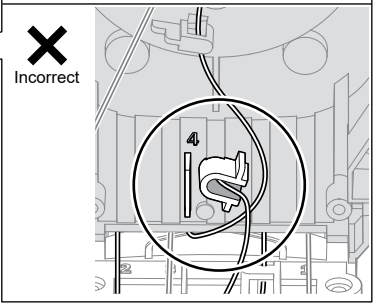


Correct

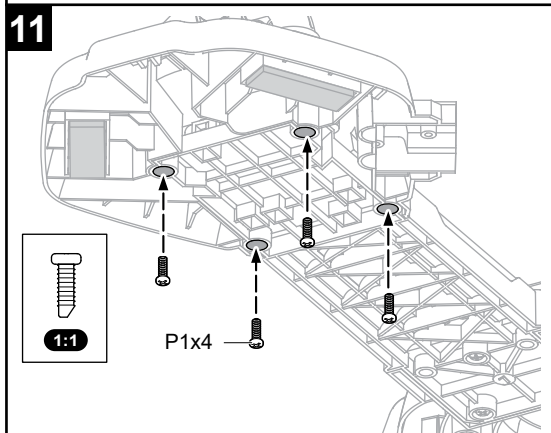
Incorrect



Correct



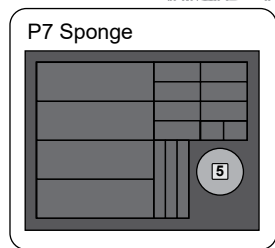
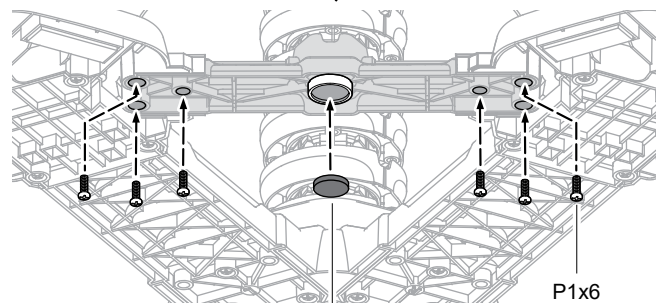
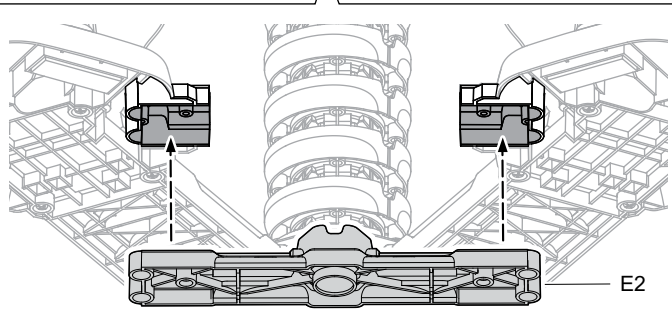
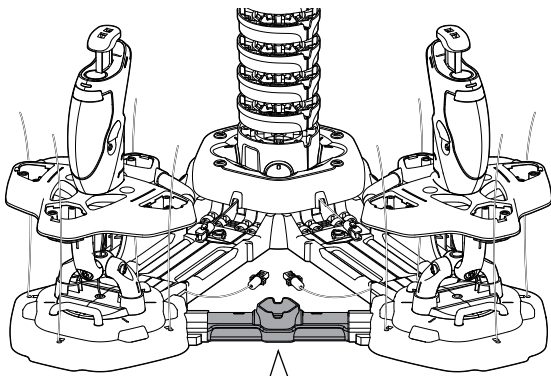
Incorrect



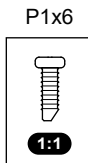
P1x4

1:1

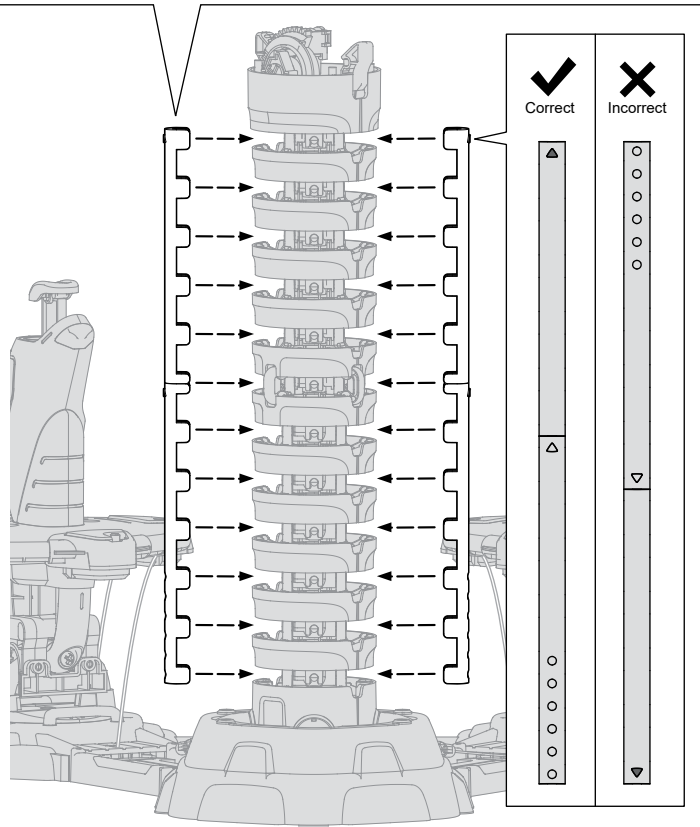
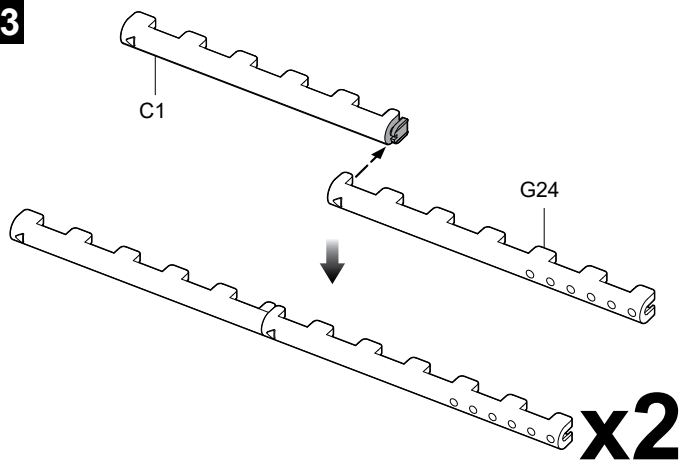
12



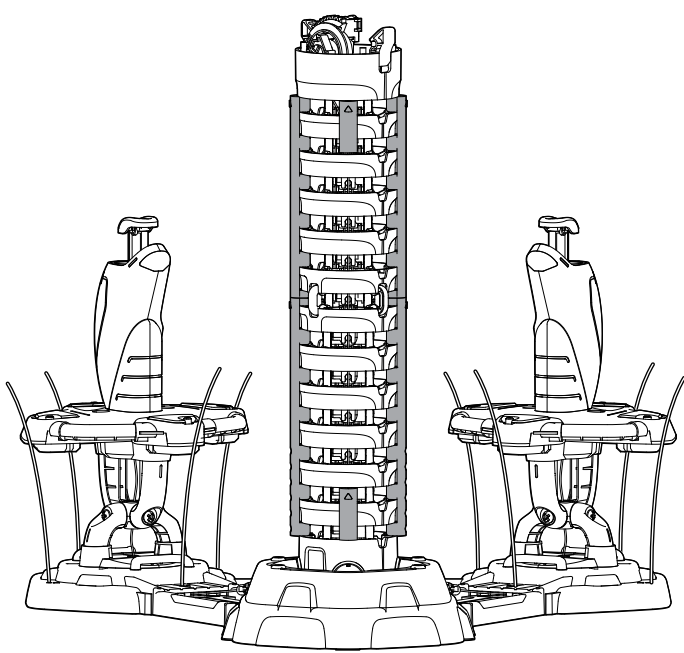
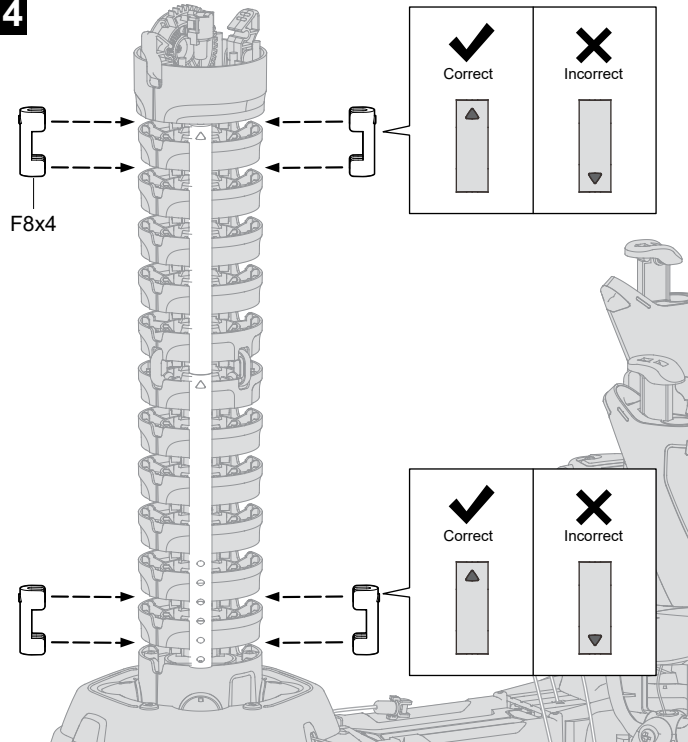
P7 - 5

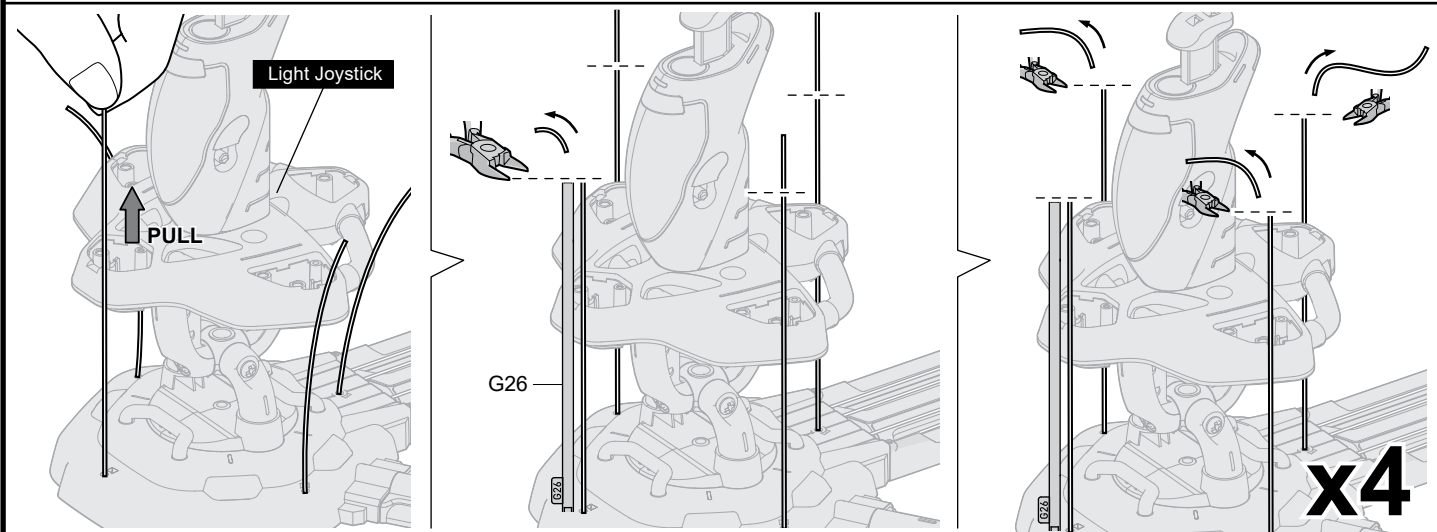
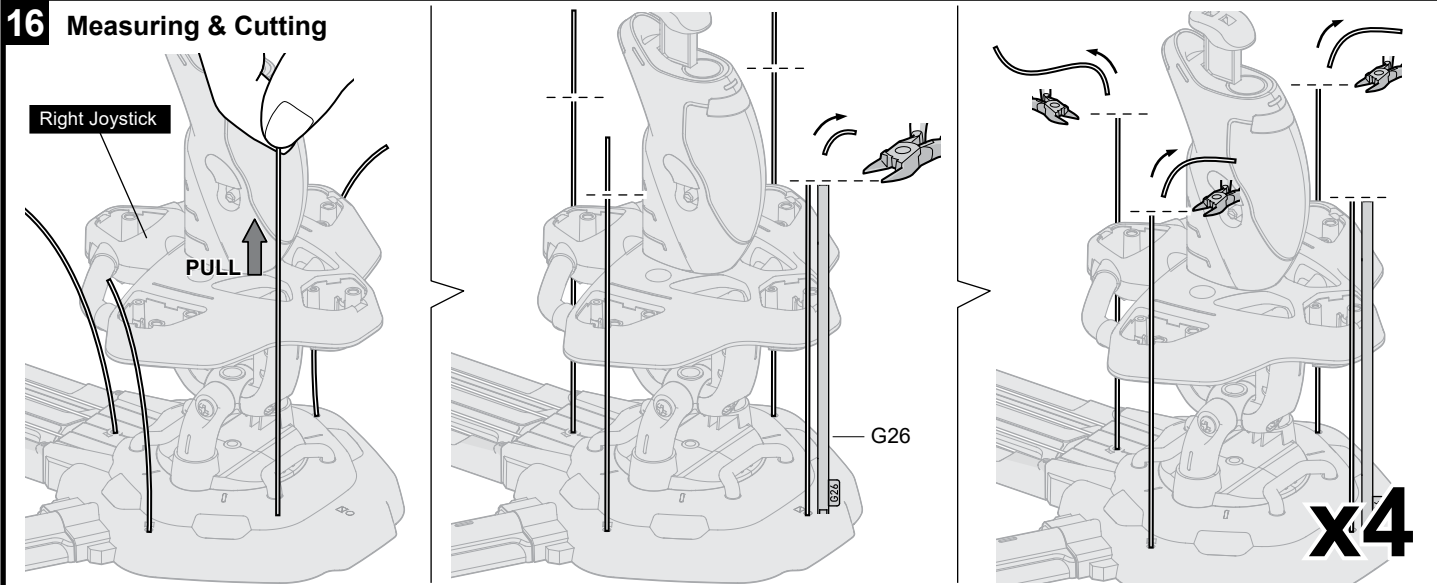
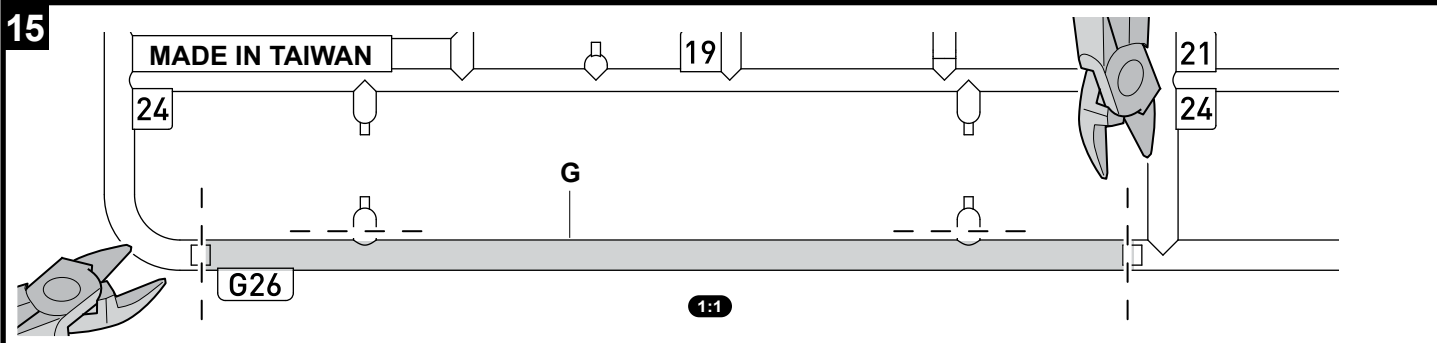


13



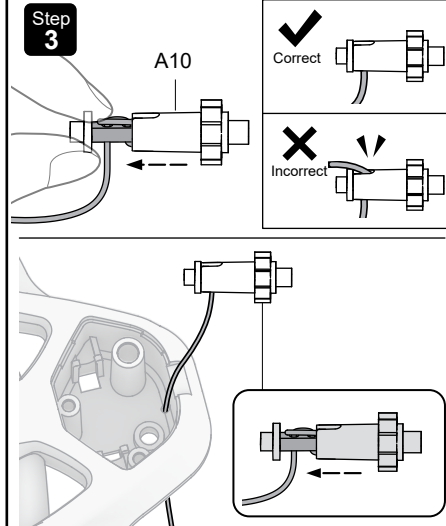
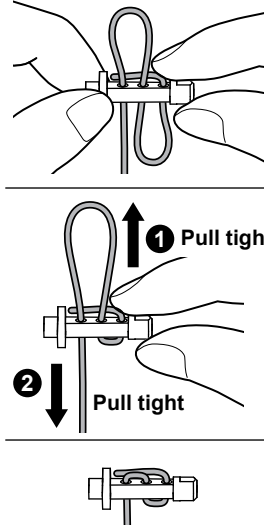
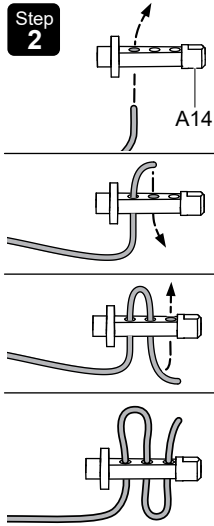
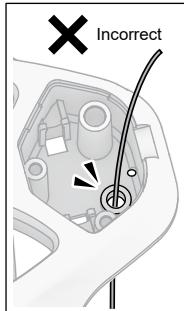
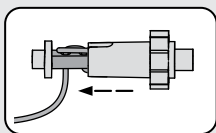
14

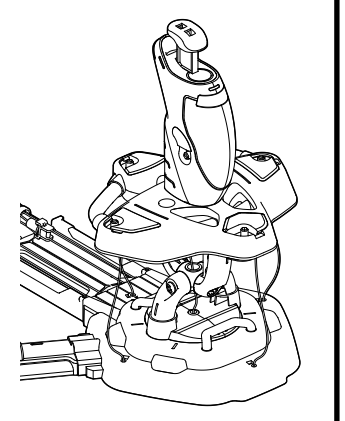
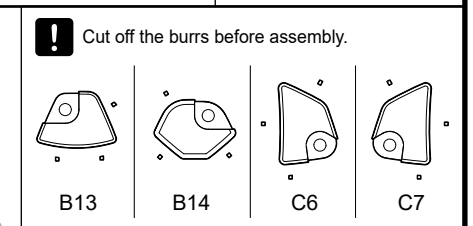
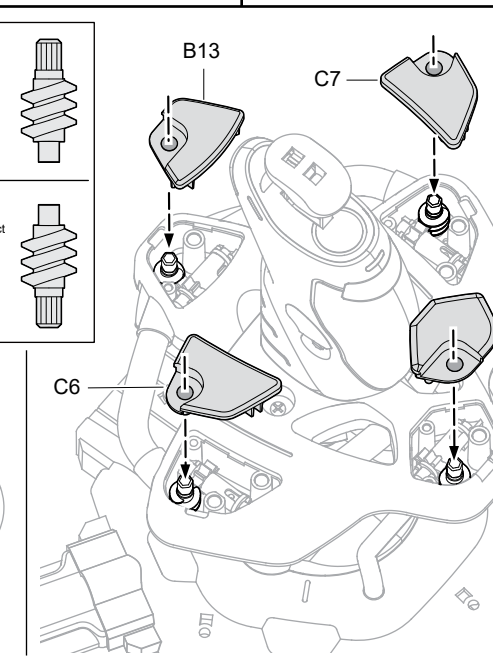
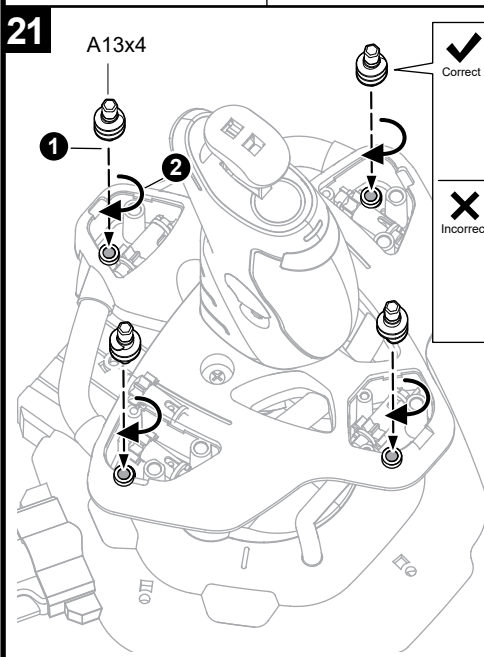
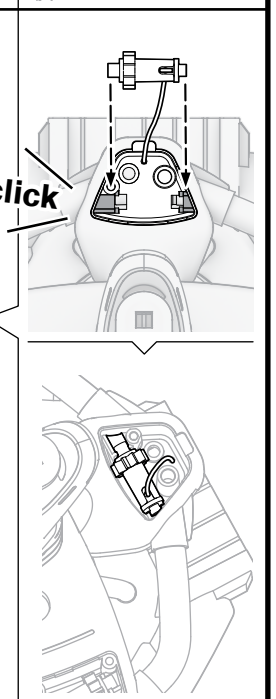
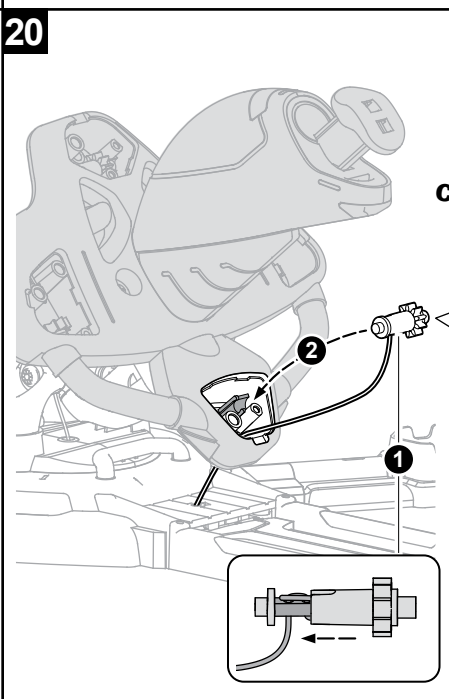
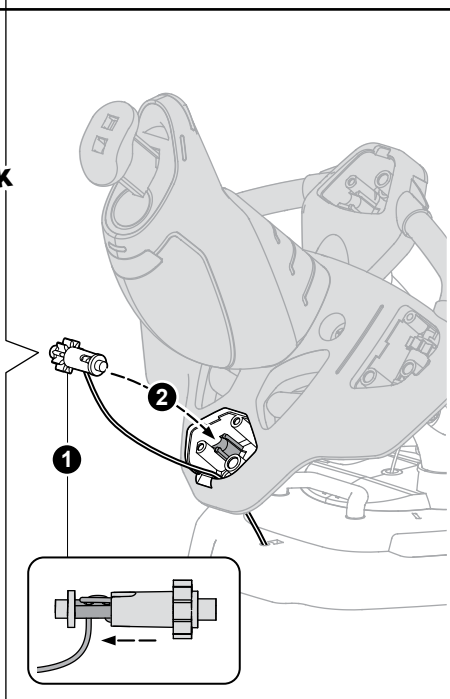
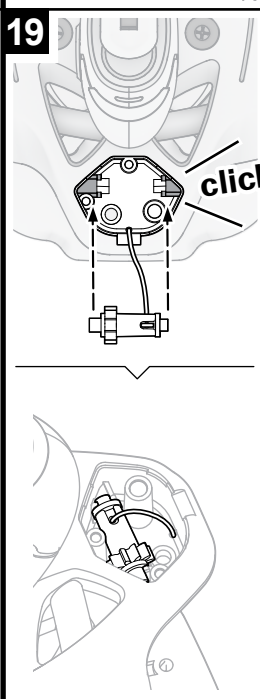
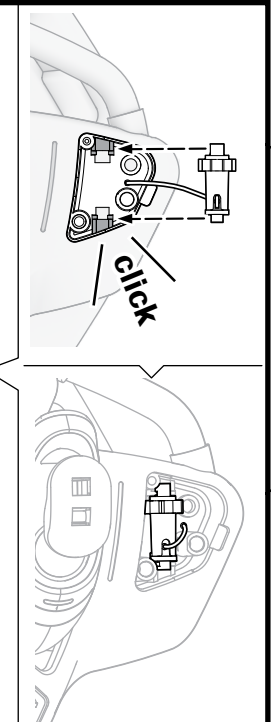
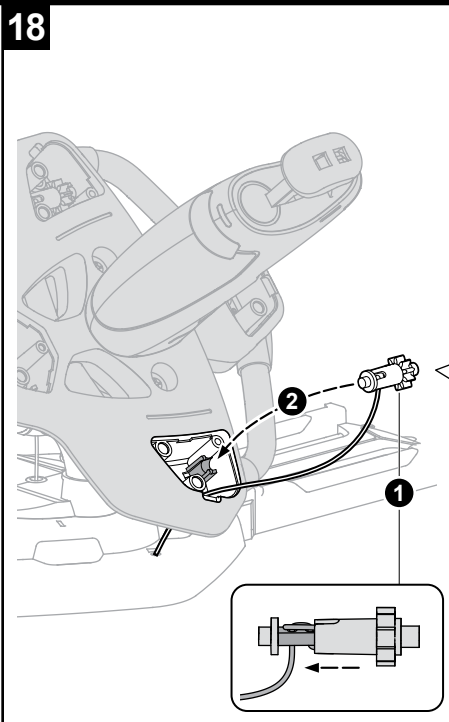
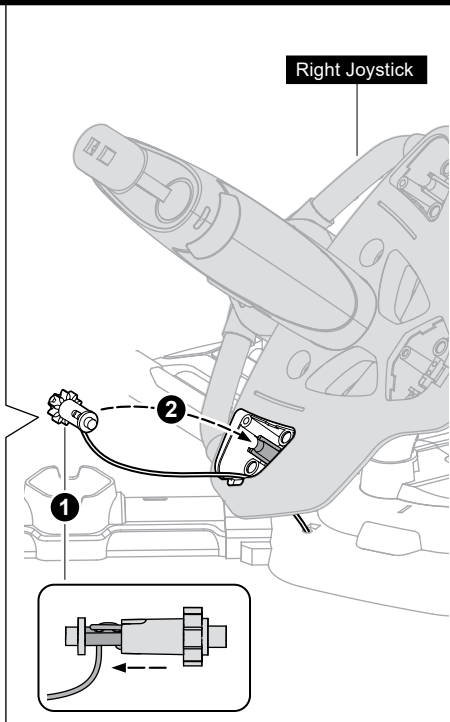
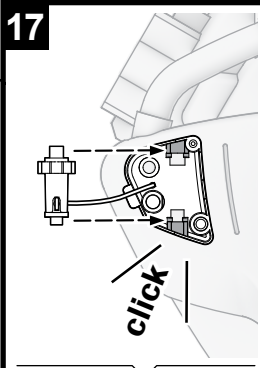


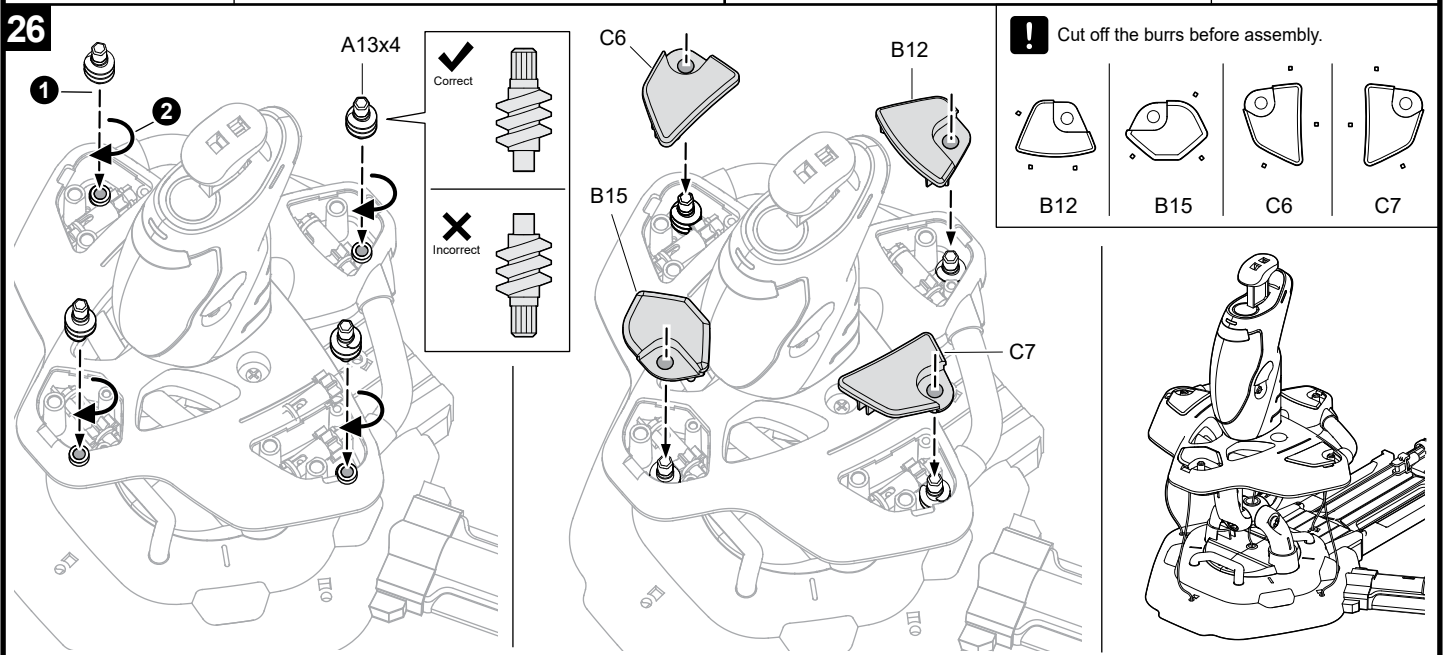
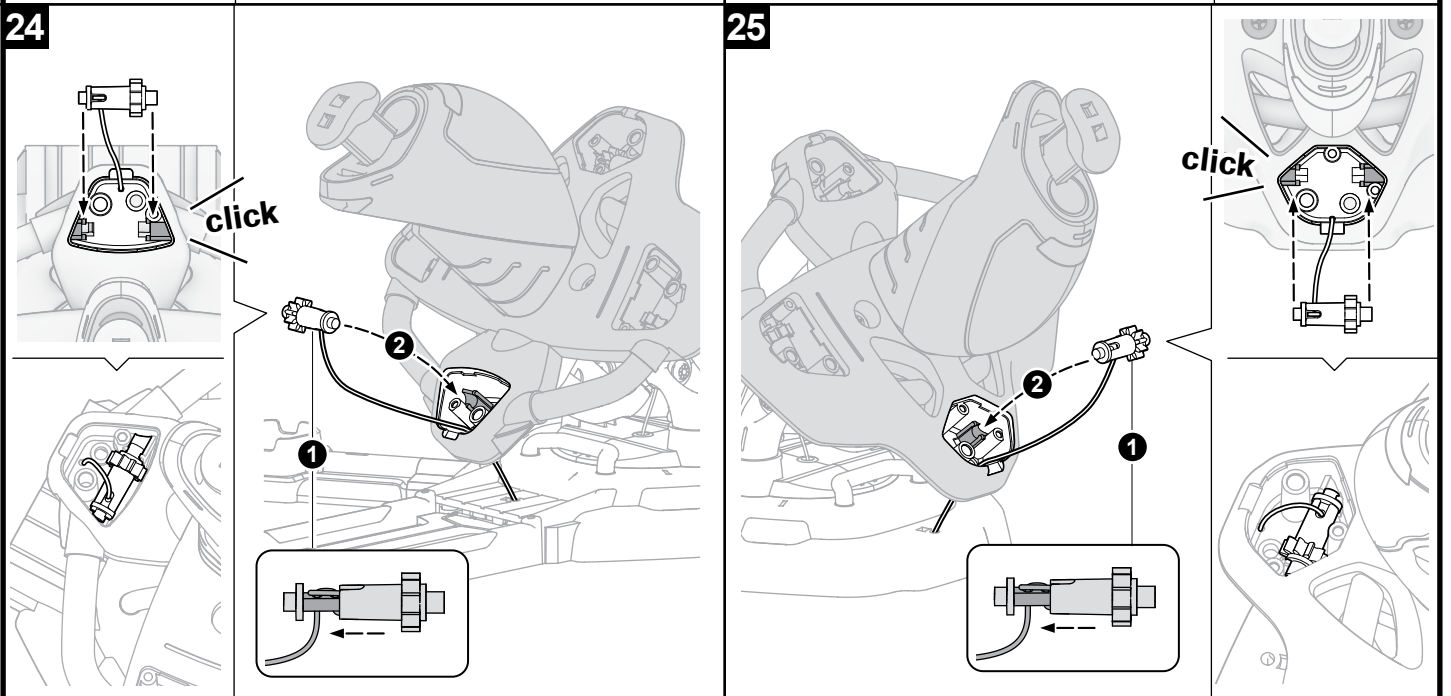
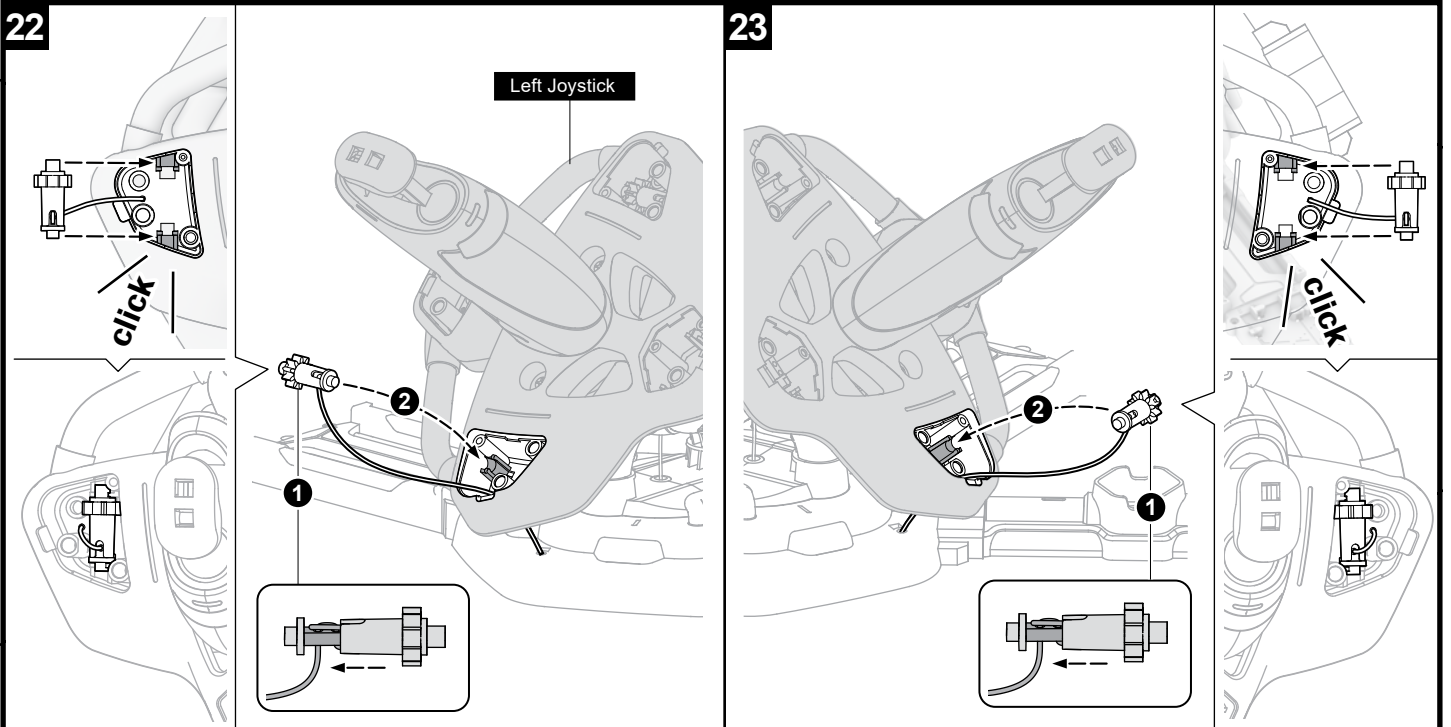


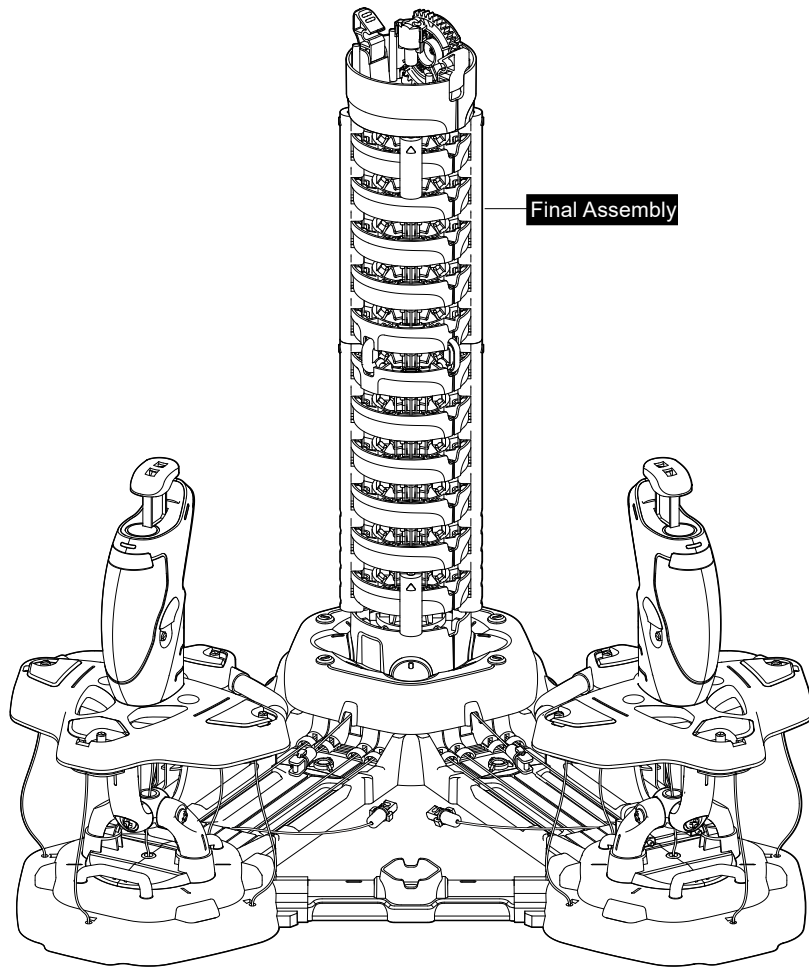
How to Assemble A10, A14, and the Nylon String for step 17-25

Follow the steps to assemble it when the following icon appears.









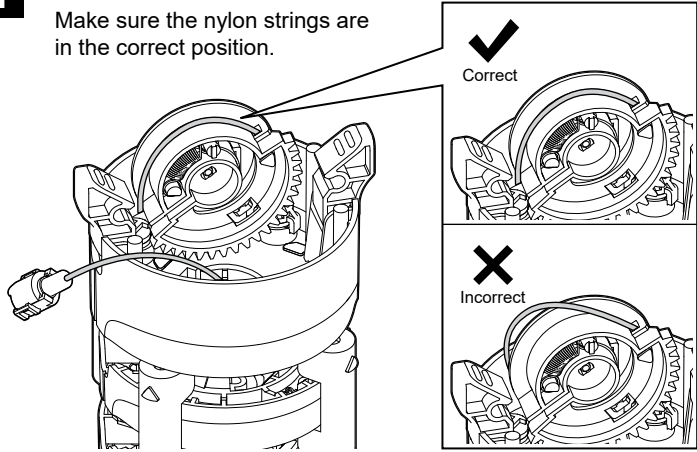
How to Adjust the Length of the Nylon String



Assembly Tip

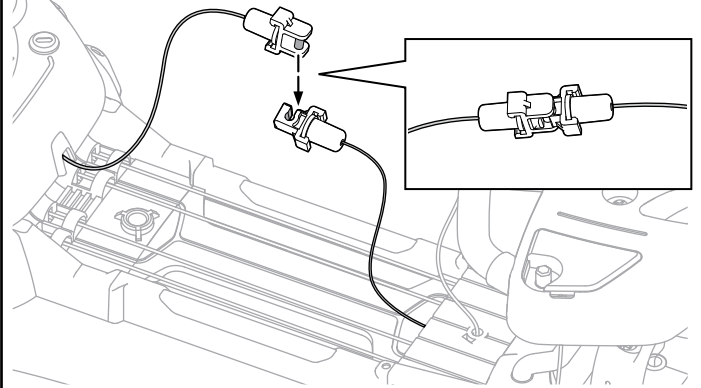
1

Make sure the nylon strings are in the correct position.

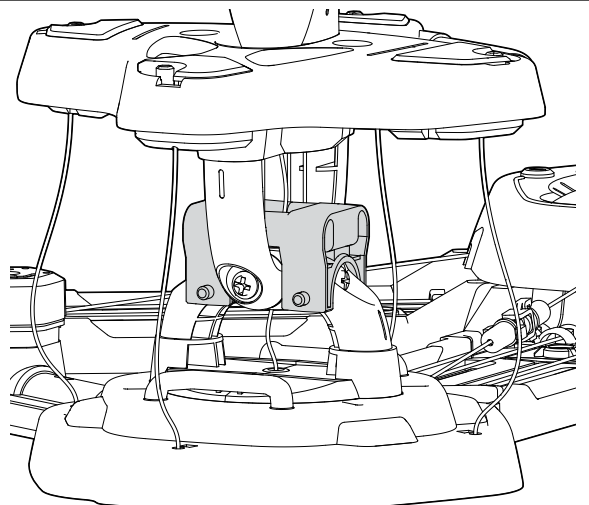
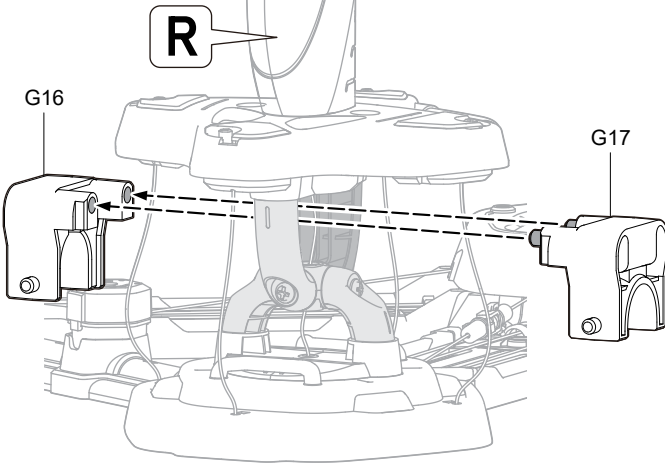


2

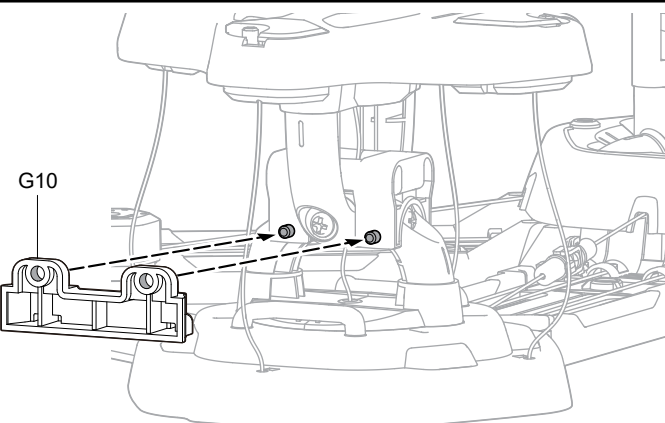
Connect the buckle on the right.



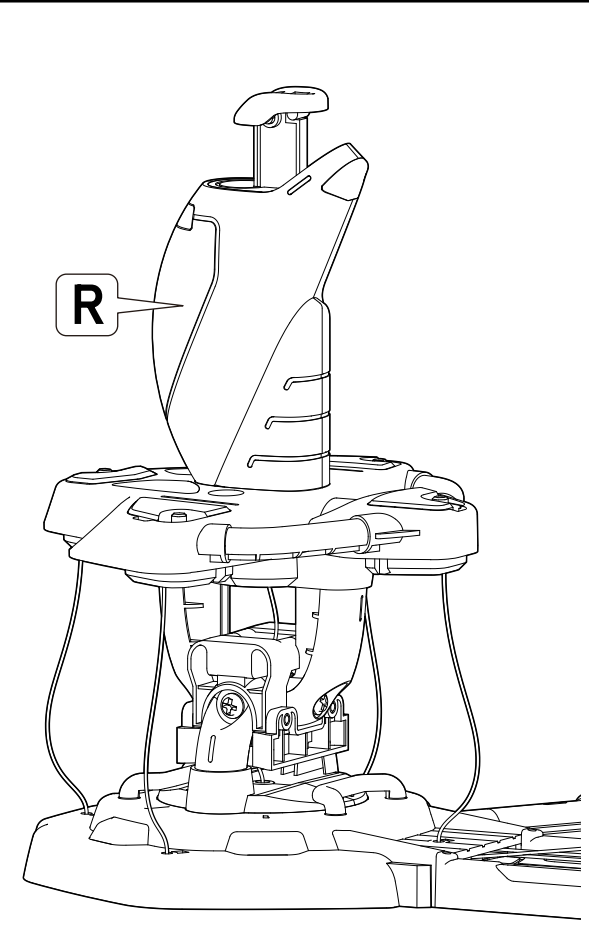
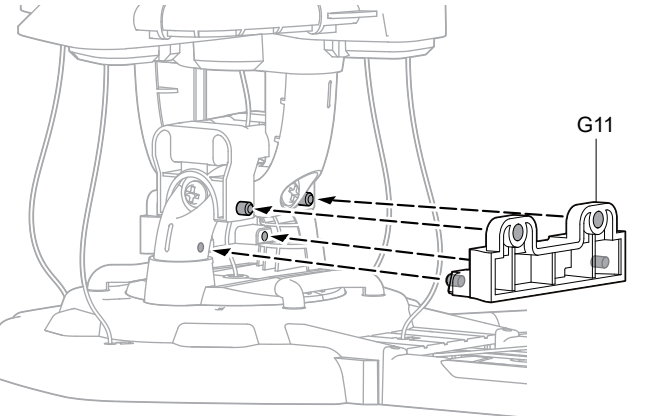
3



4

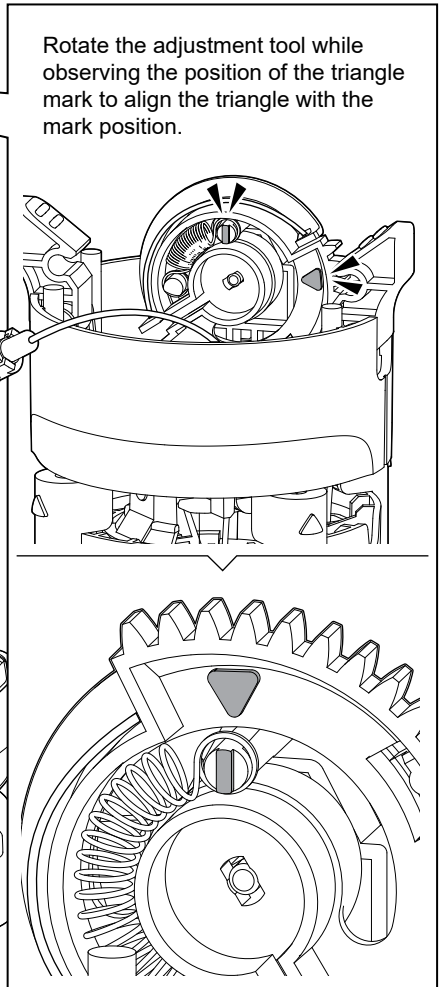
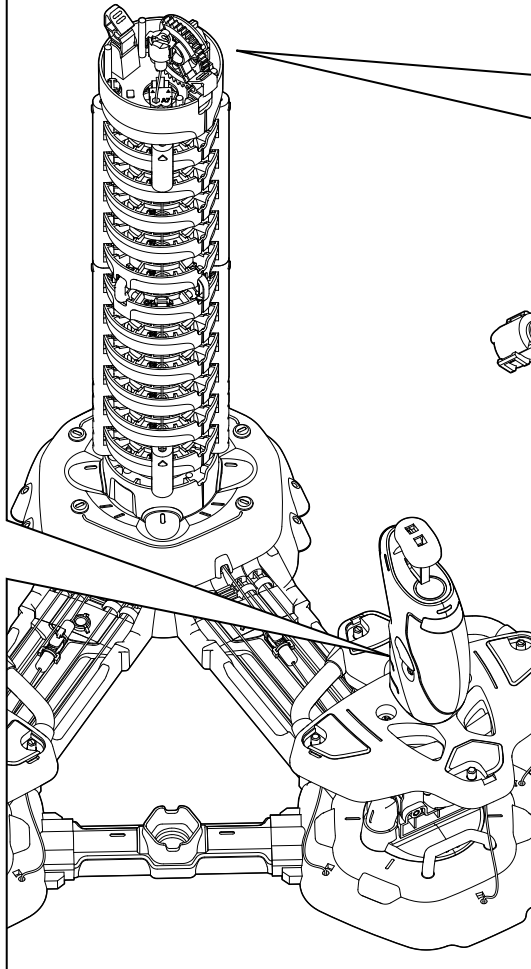
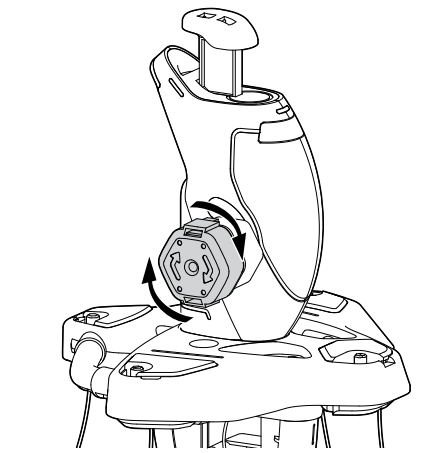
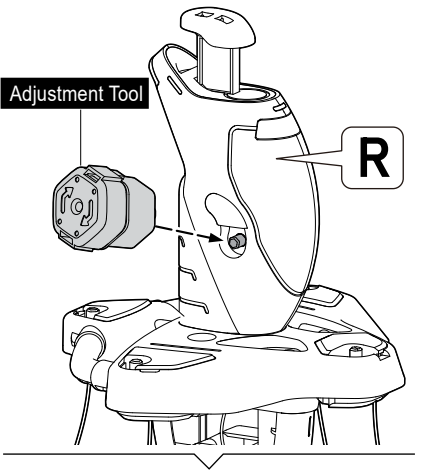


180°



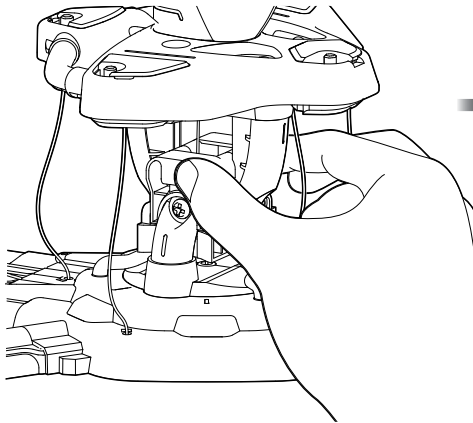
5

Adjustment Tool

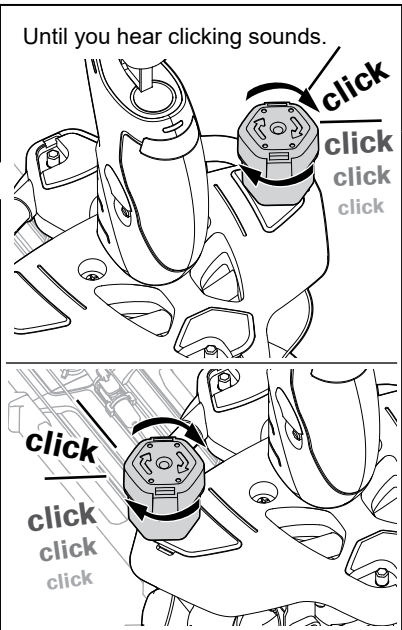
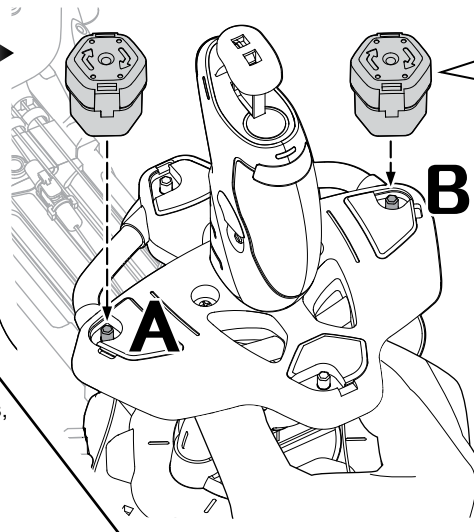


6

Fix both sides of the jig with your thumb and forefinger.

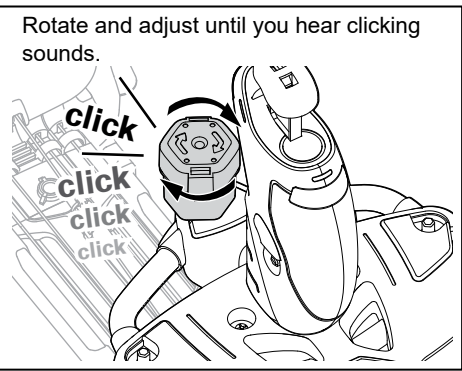
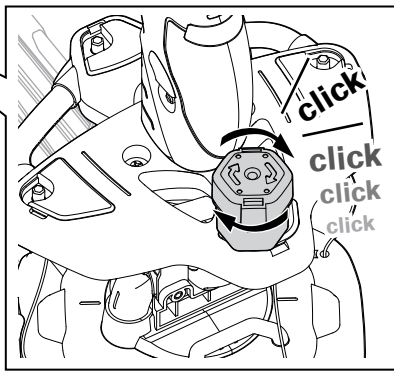
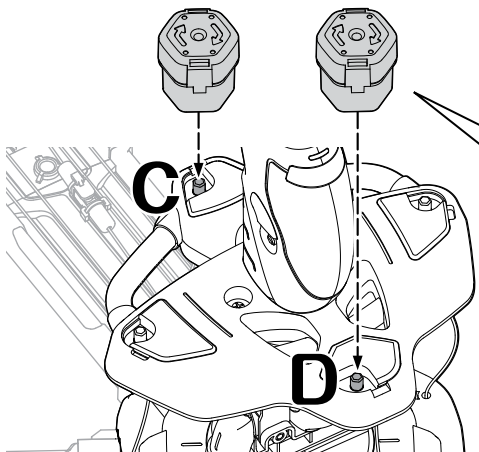


Use the adjustment tool to adjust the left A and right B points, rotate and adjust in ten-turn units.



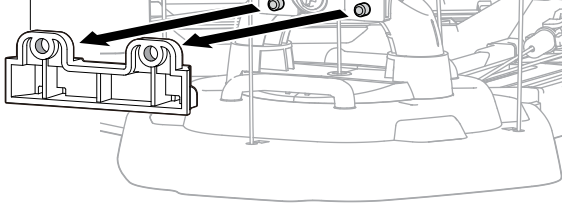
7

Then adjust the upper C and lower D points, rotate and adjust in ten-turn units.



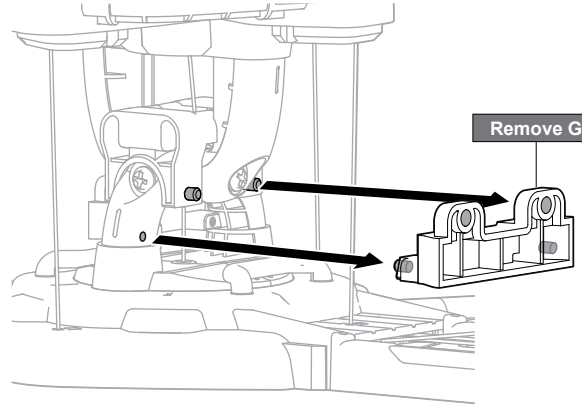
8

Remove G10



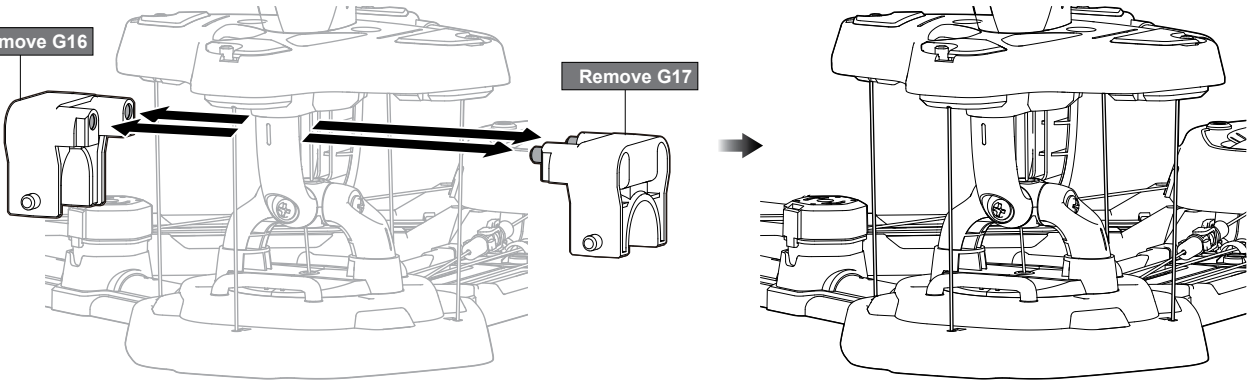
180°

Remove G11



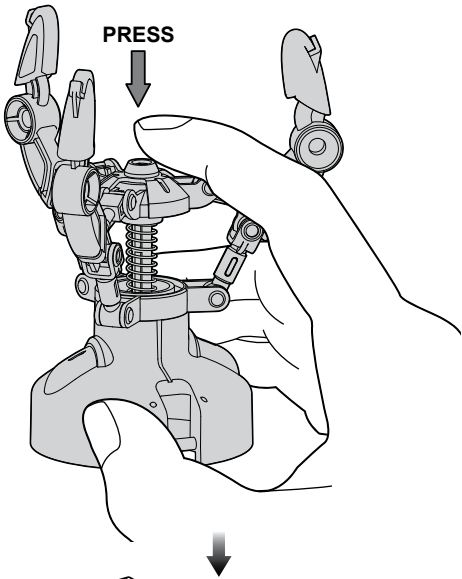
Remove G16

Remove G17

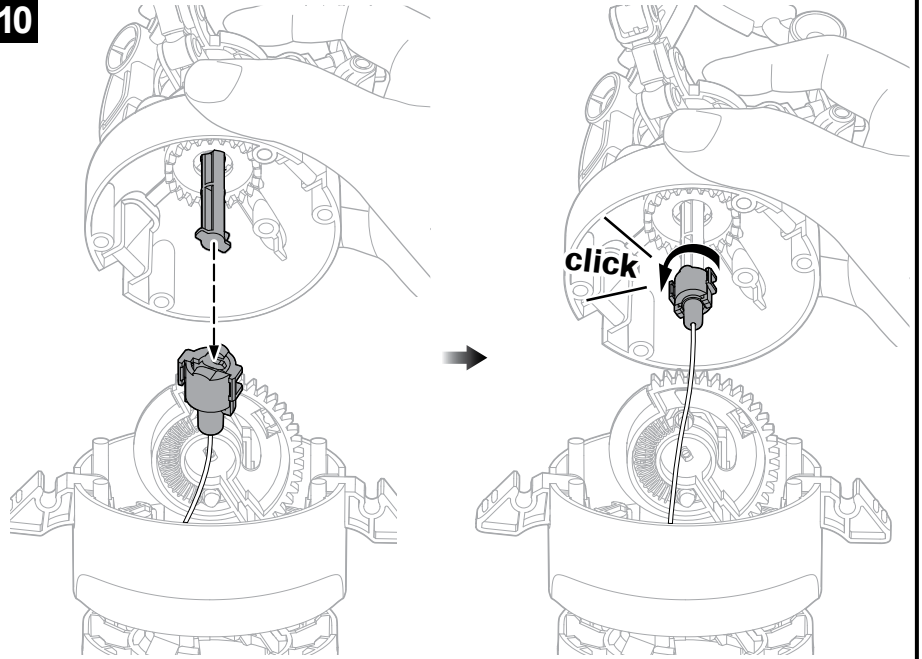


9

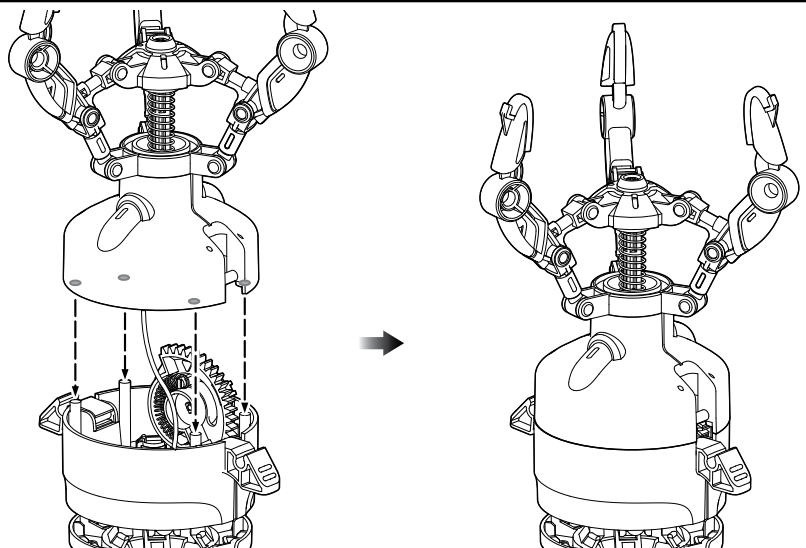
PRESS



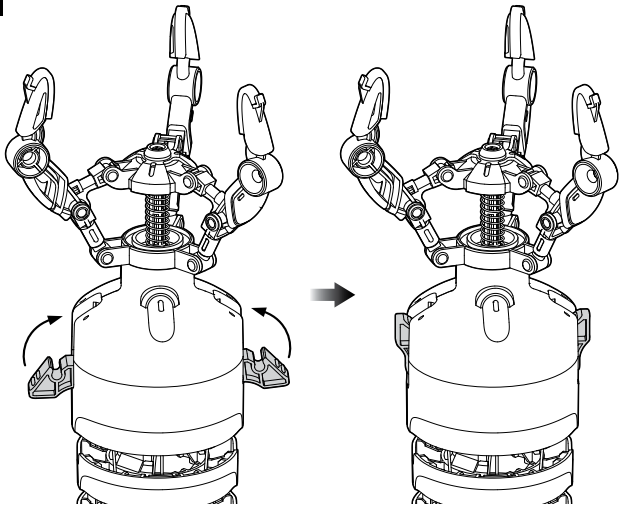
10



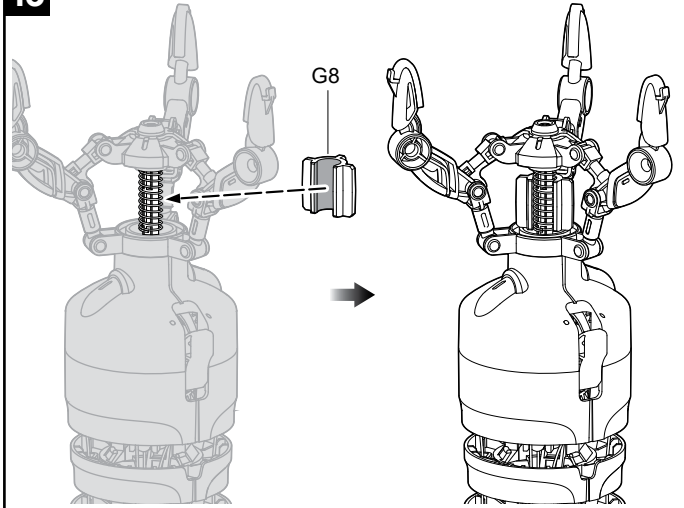
11



12

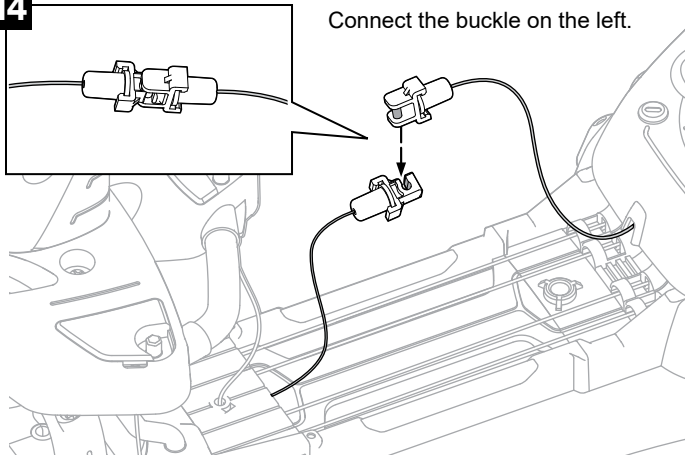


13

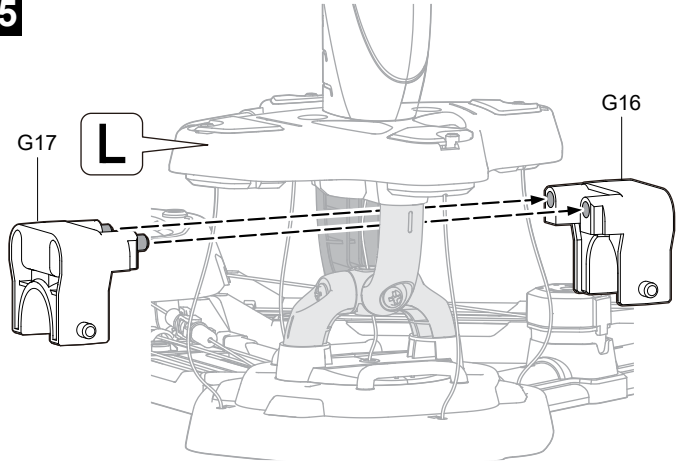


14

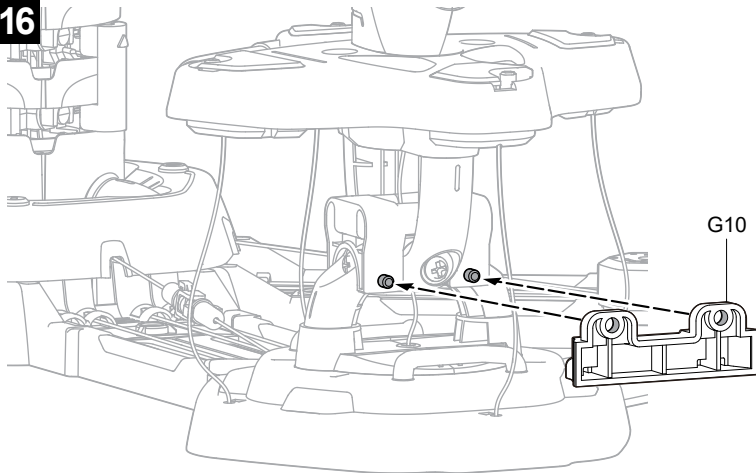
Connect the buckle on the left.



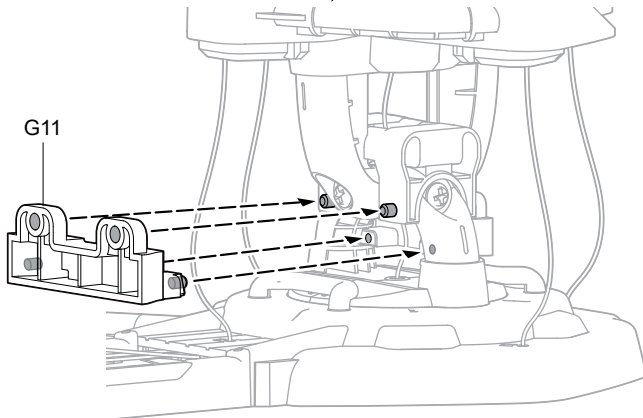
15



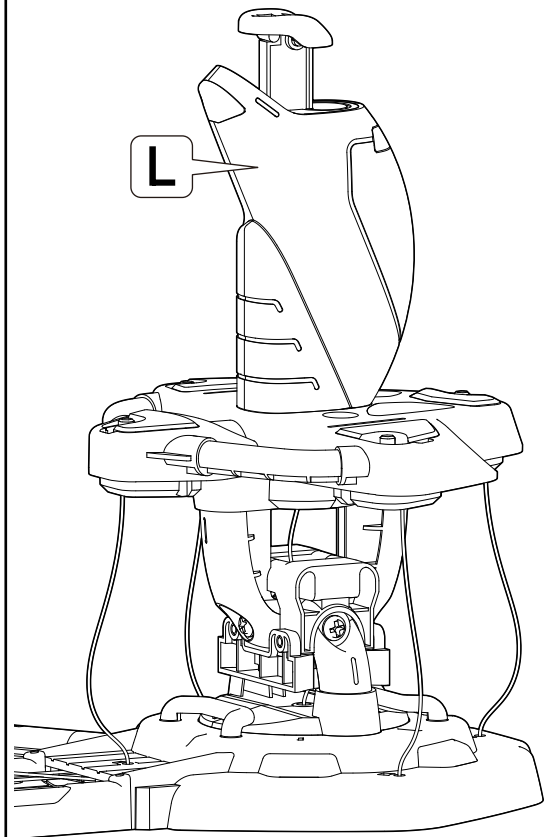
16



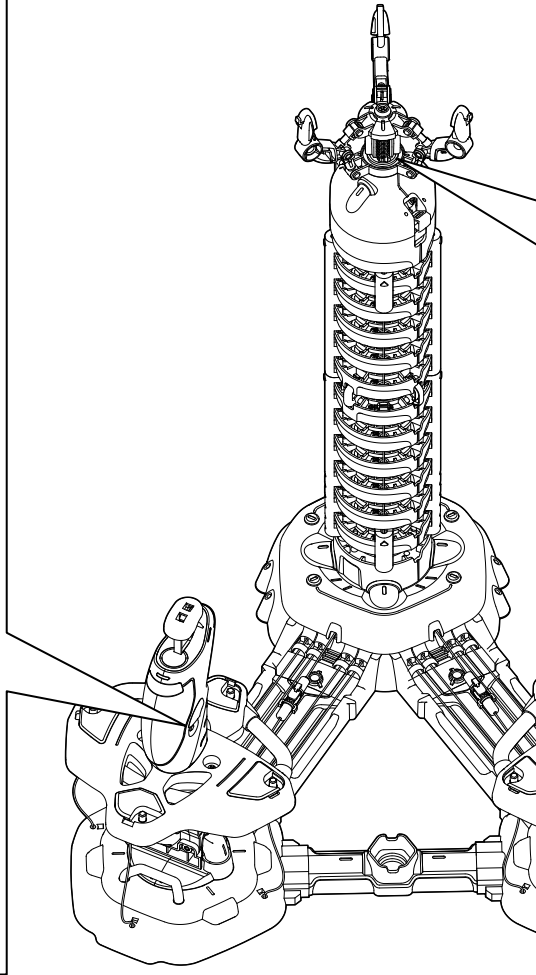
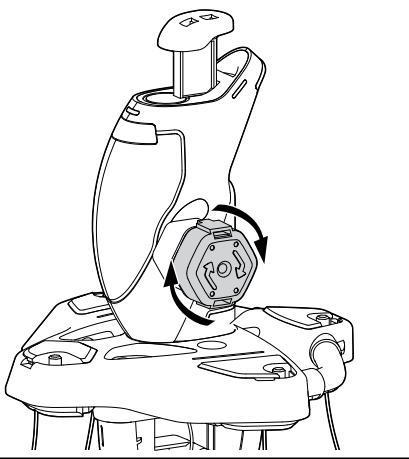
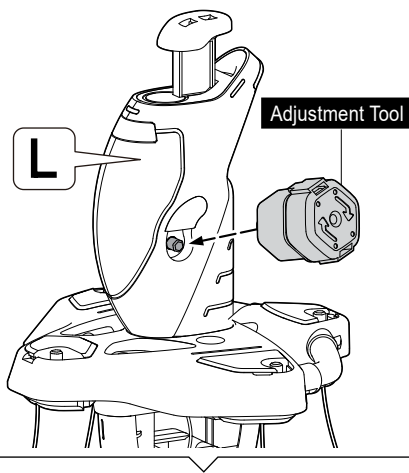
180°



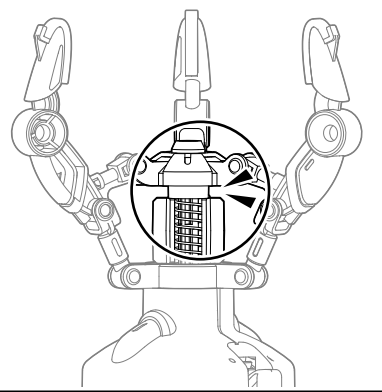
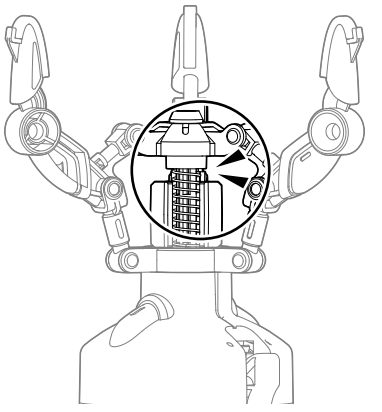
17



18



Turn the adjustment tool while observing the gap between H1 and G8. Adjust until H1 touches G8.

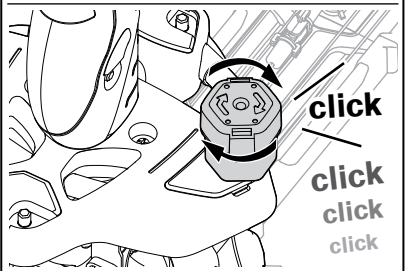
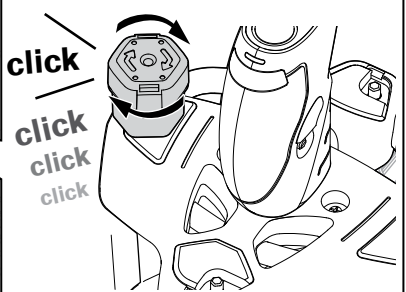
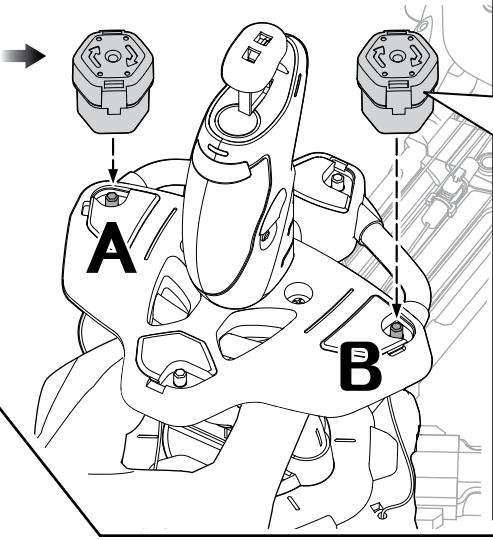
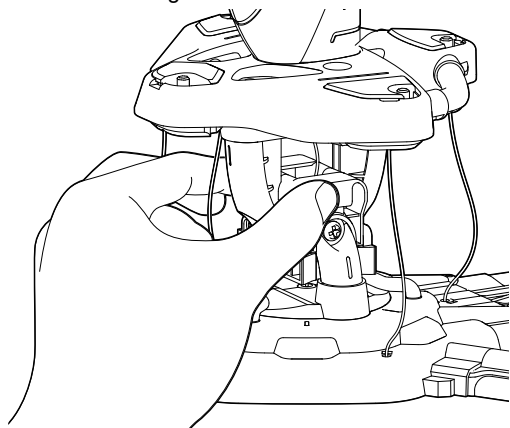


19

Fix both sides of the jig with your thumb and forefinger.

Use the knob to adjust the left and right A and B points, in units of ten-turn, rotate and adjust.

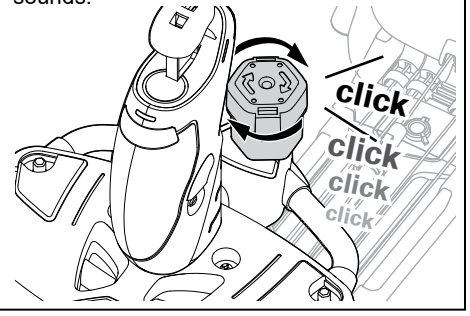
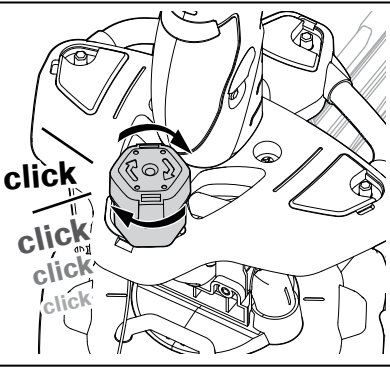
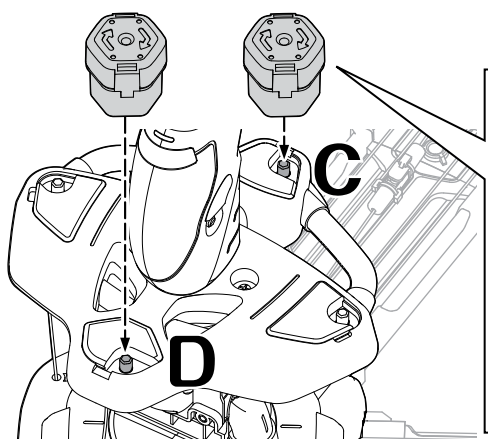
Until you hear clicking sounds.



20

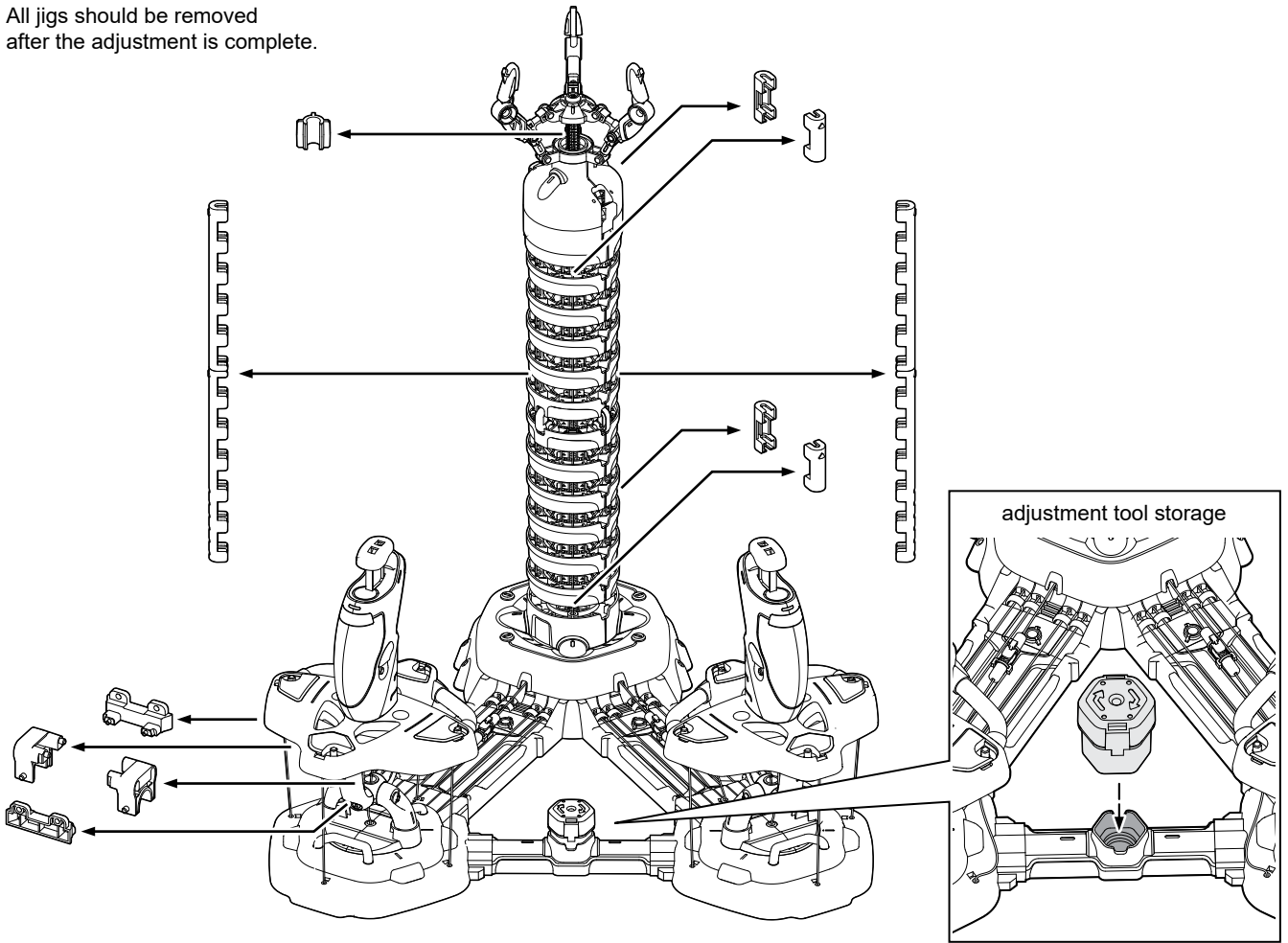
Then adjust the upper and lower C and D point, in units of ten-turn, rotate and adjust.

Rotate and adjust until you hear clicking sounds.



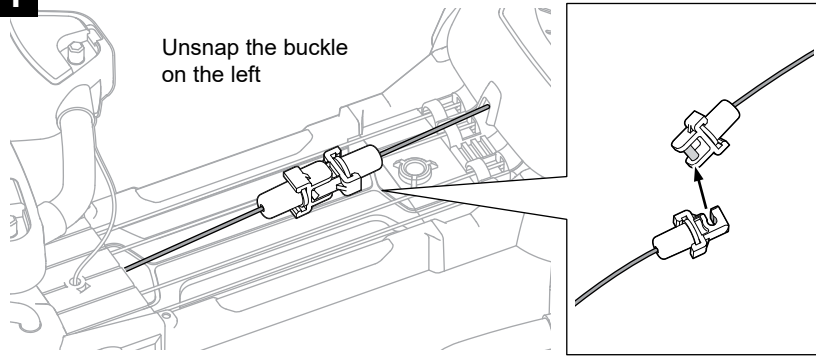
21

All jigs should be removed after the adjustment is complete.

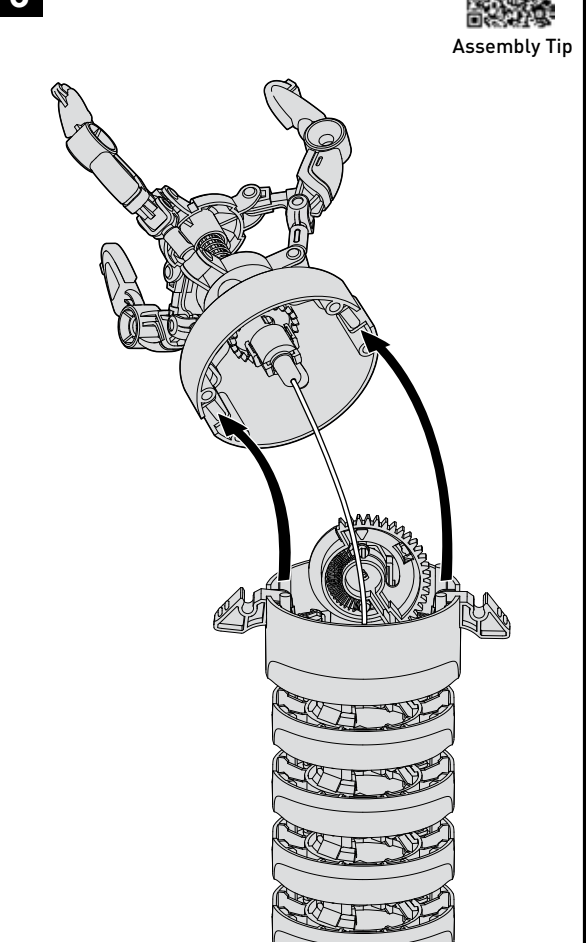


How to Change the Claw to Garden Eel

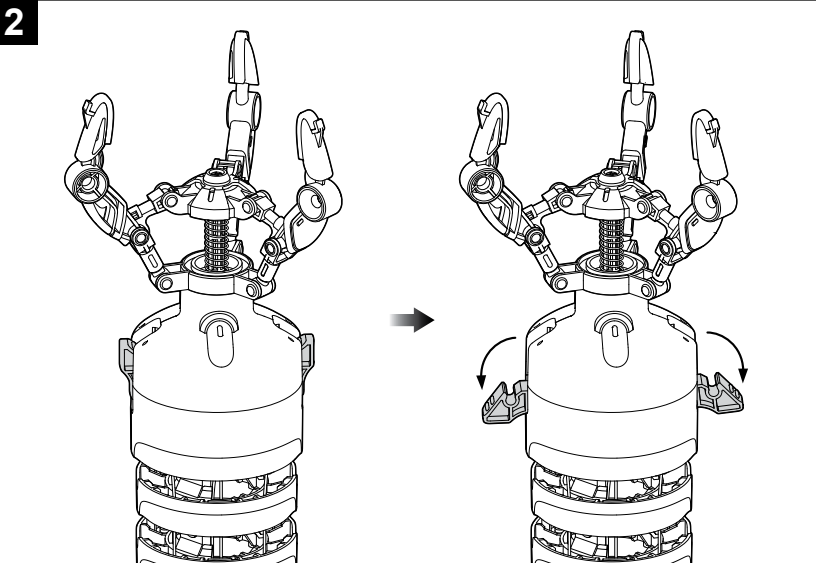
1

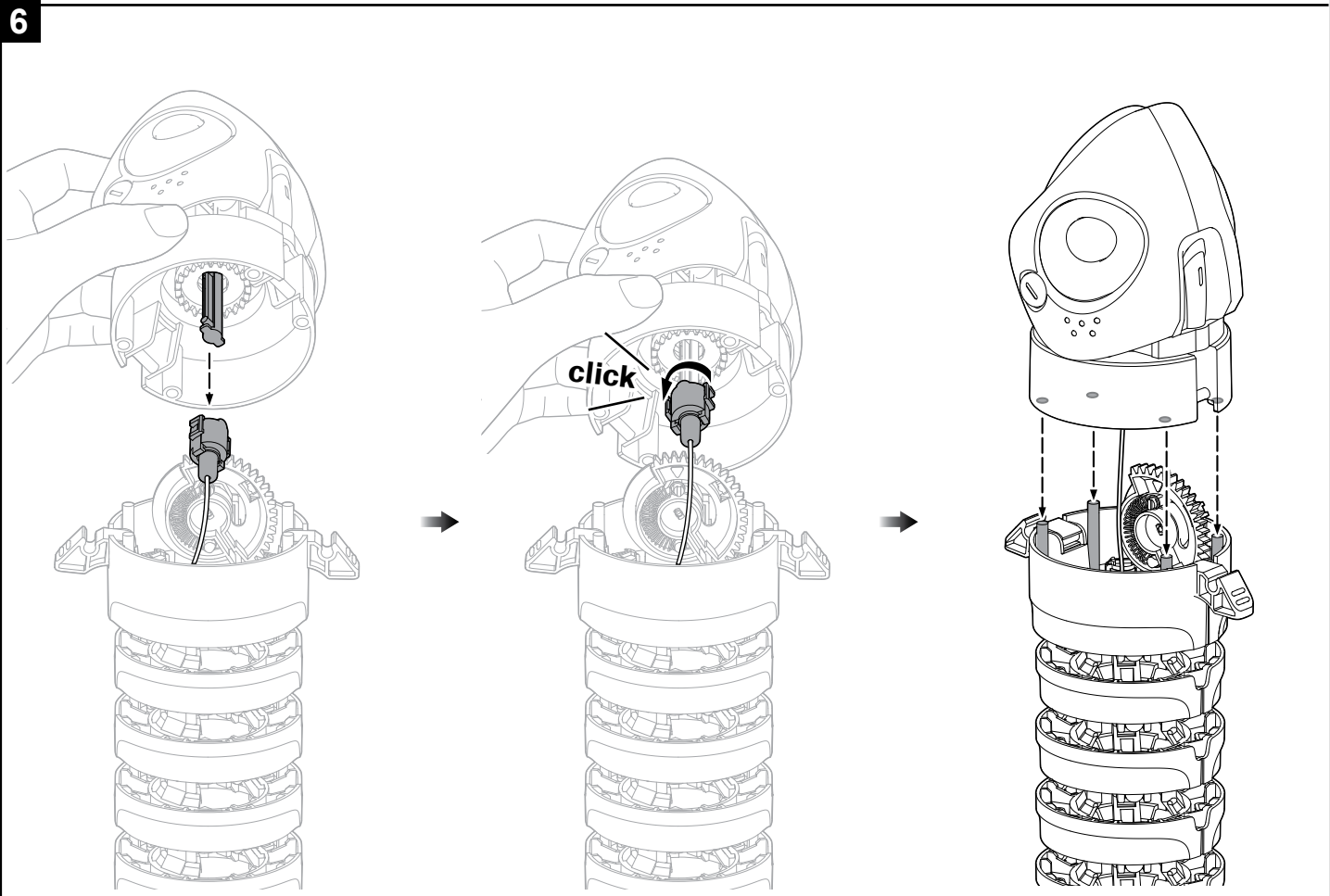
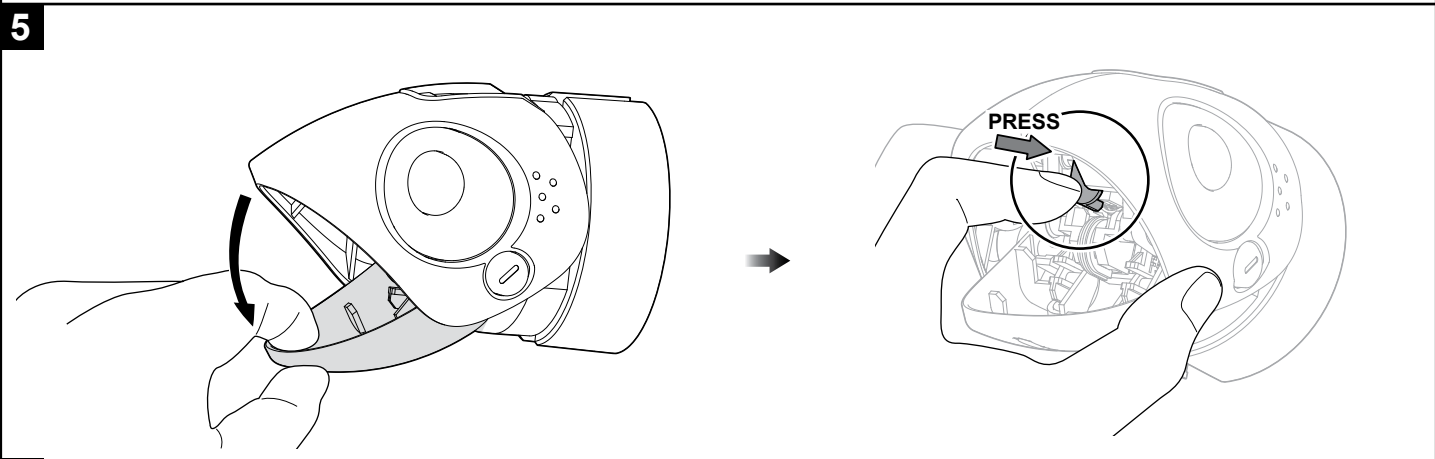
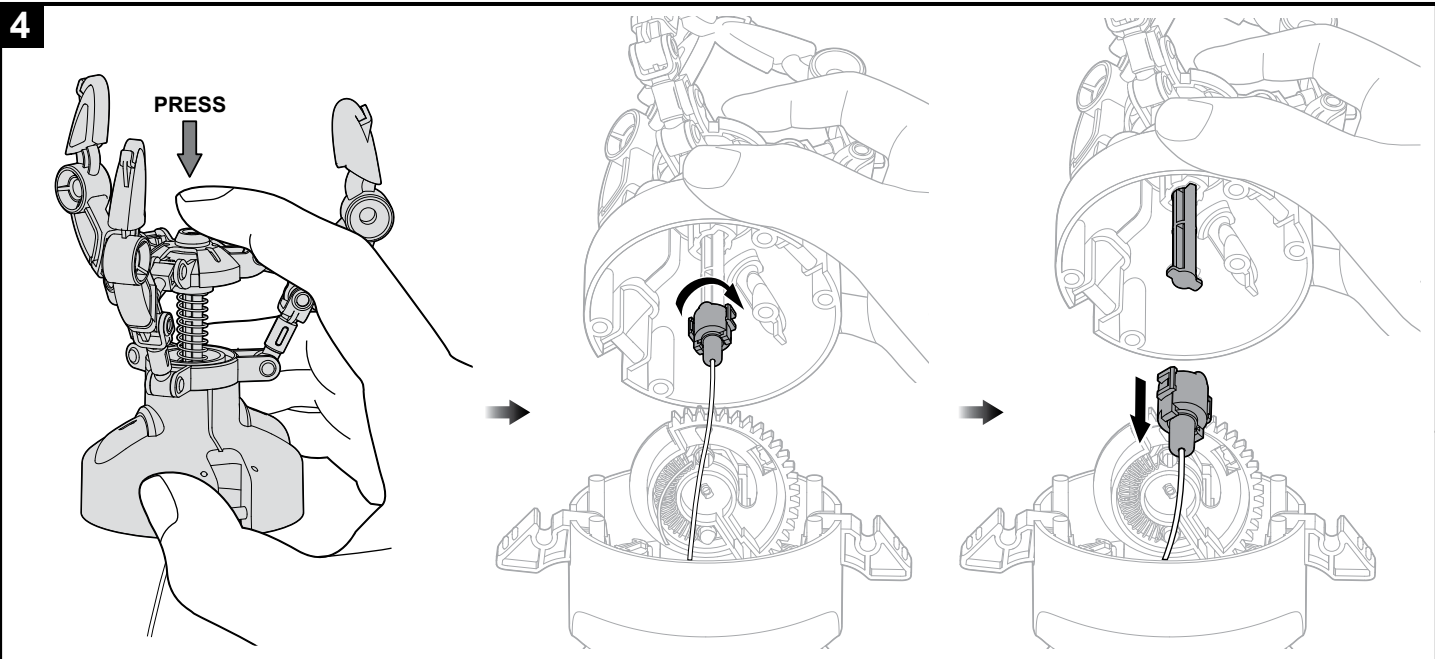


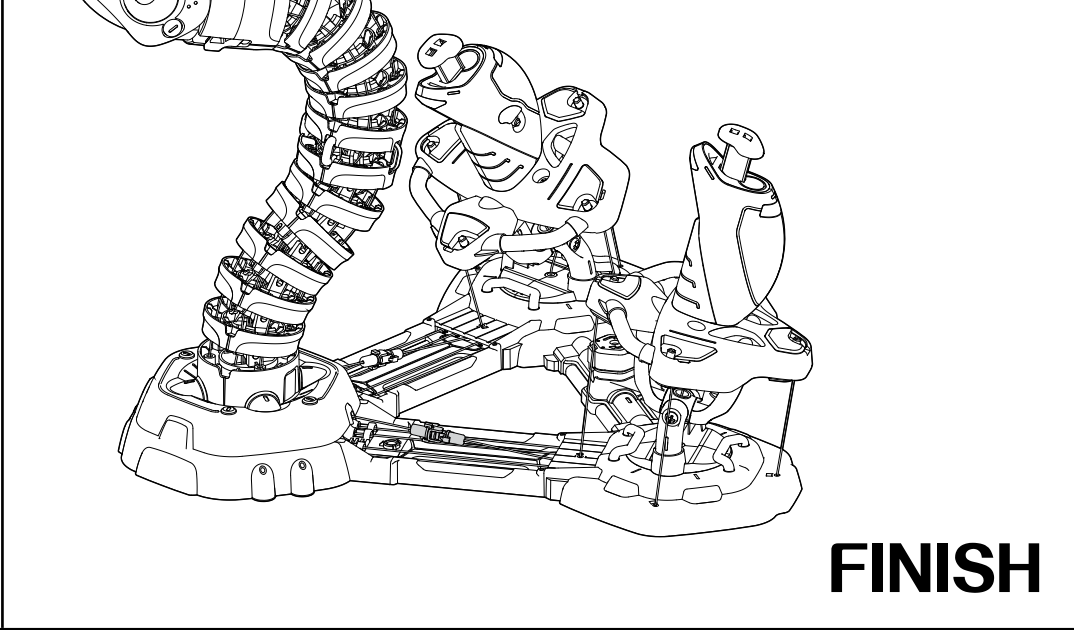
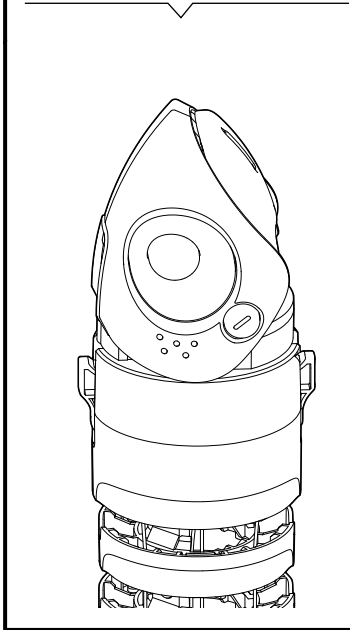
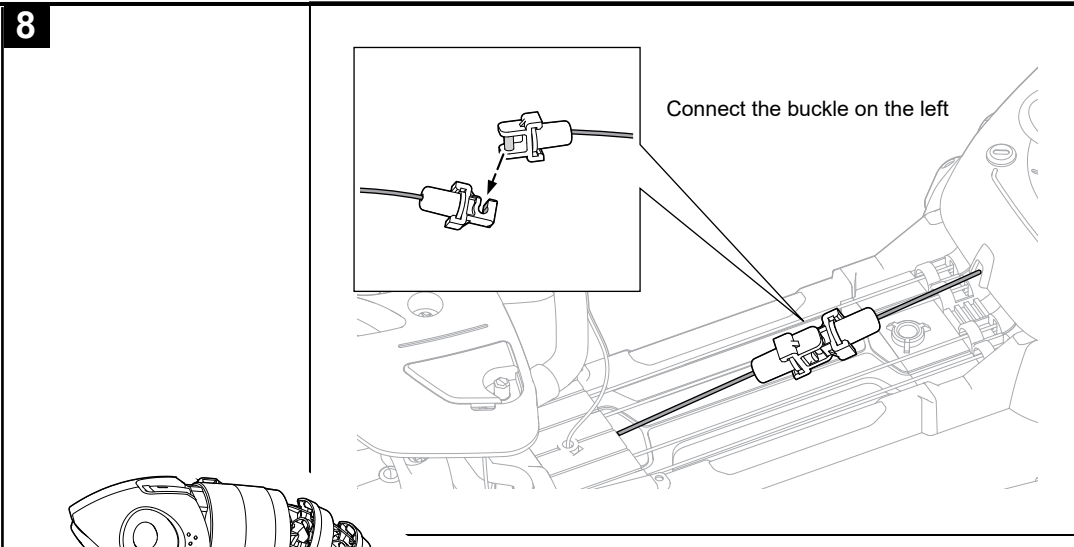
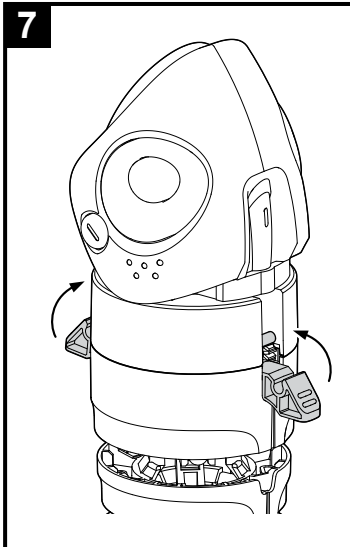
3



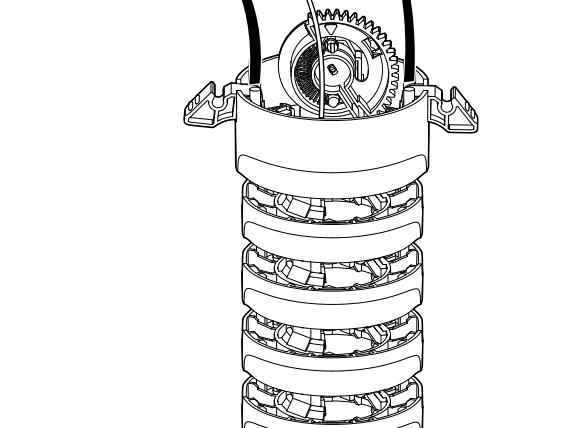
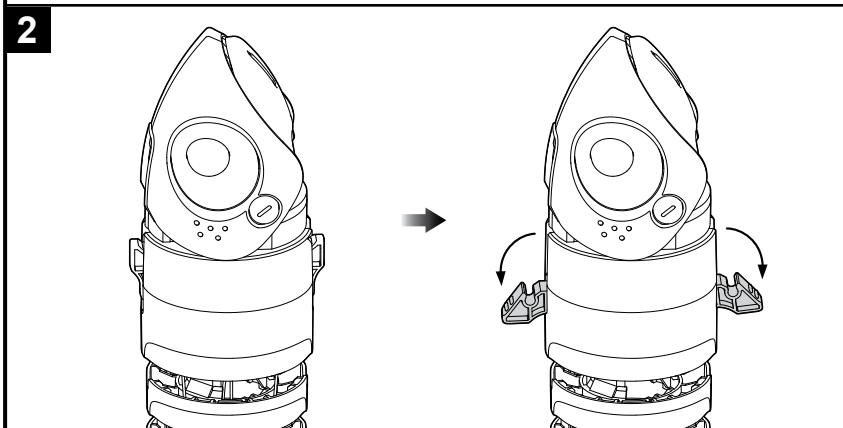
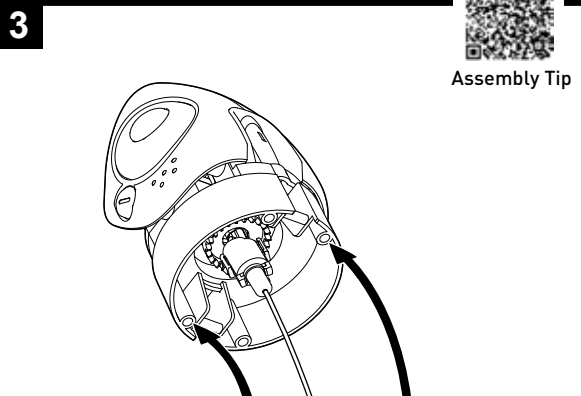
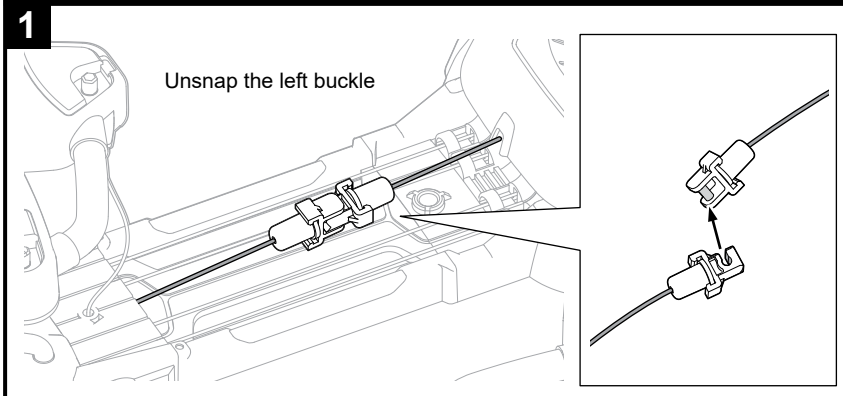
2

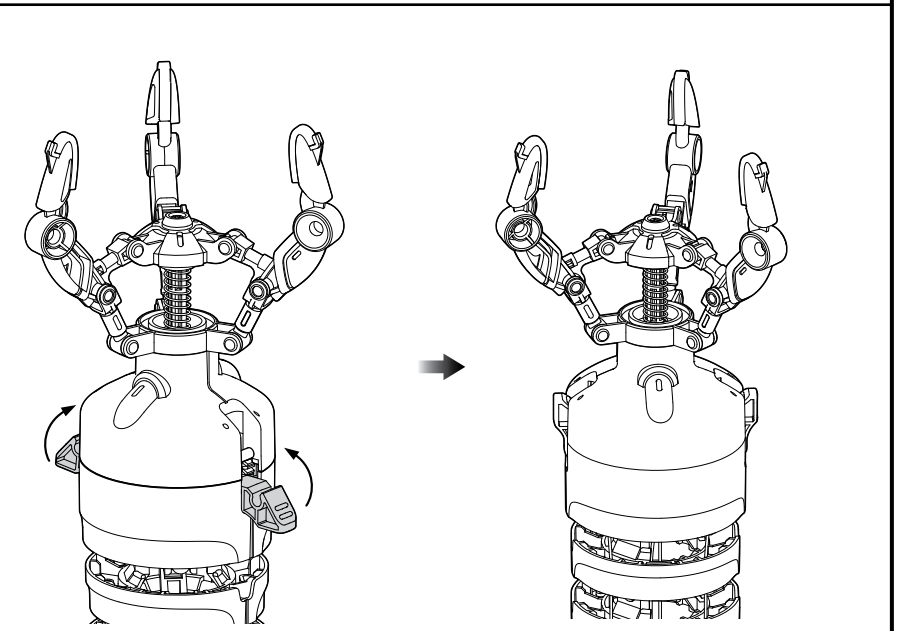
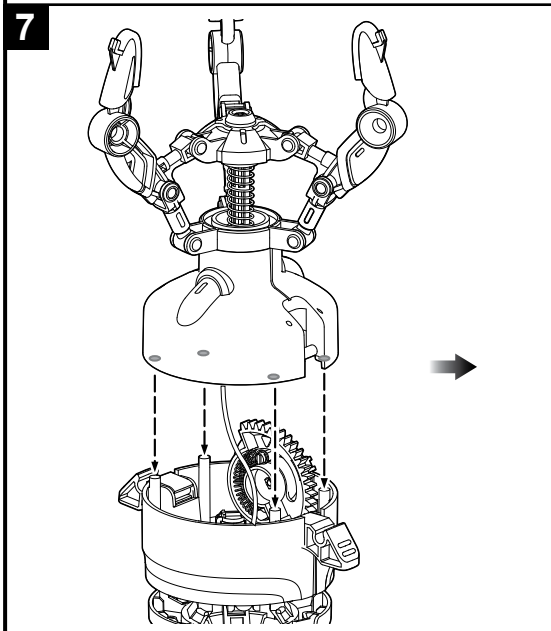
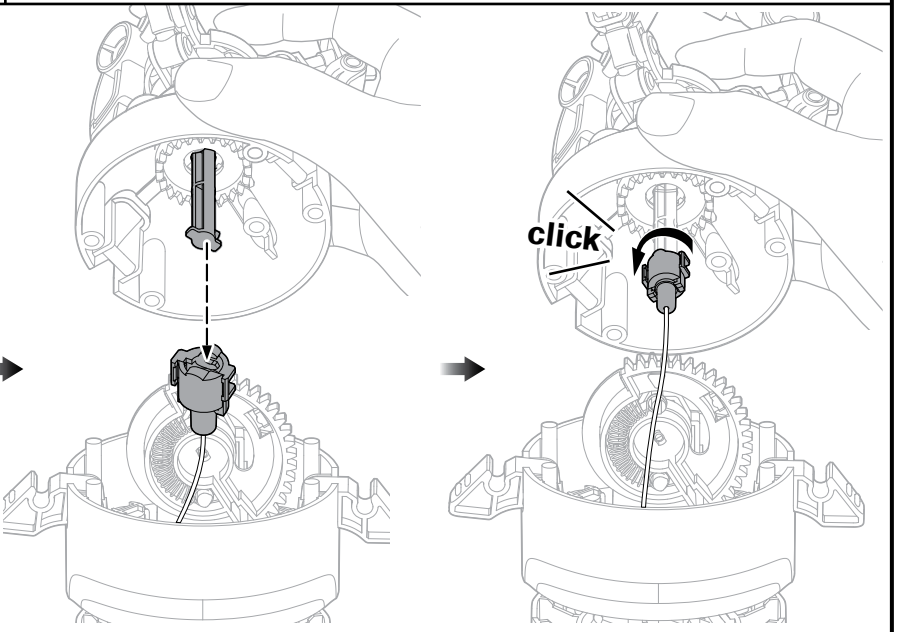
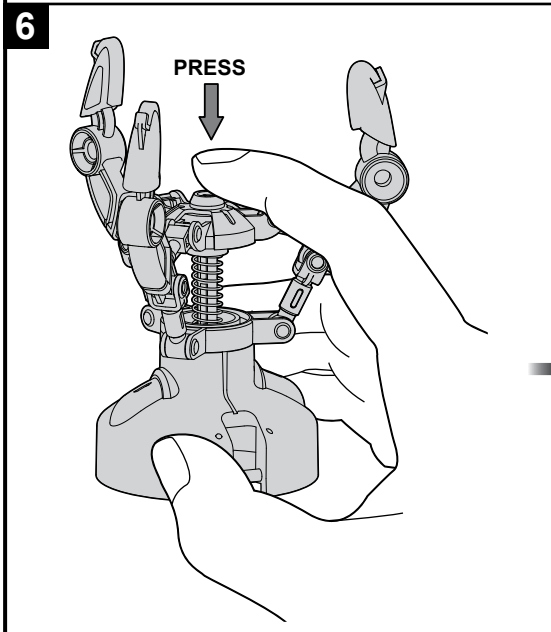
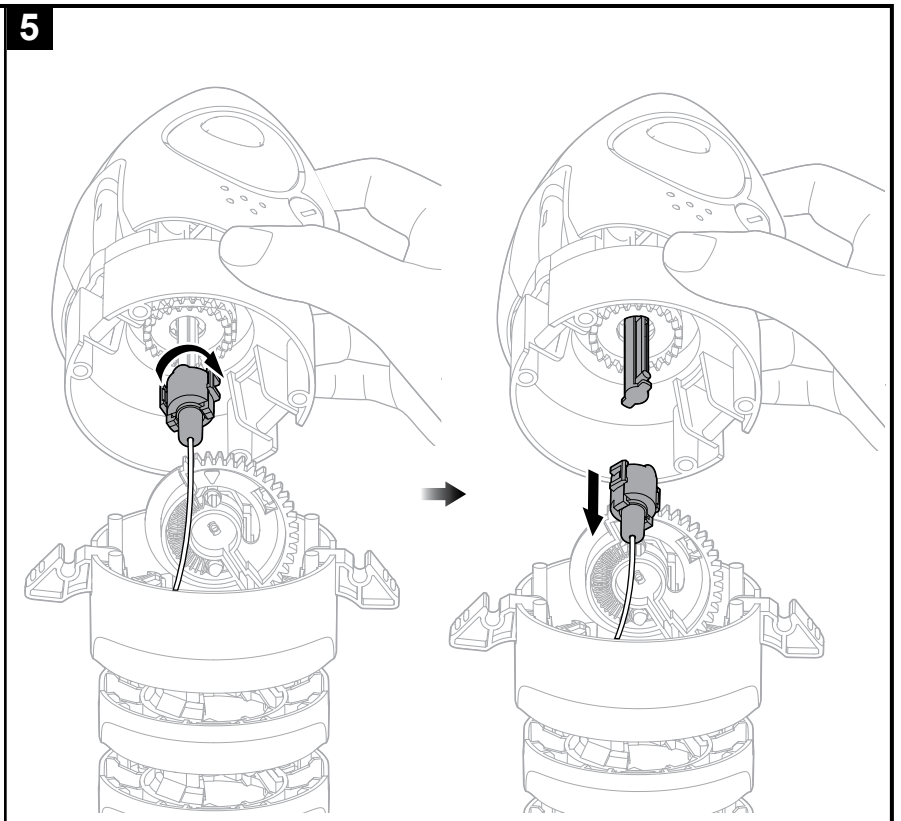
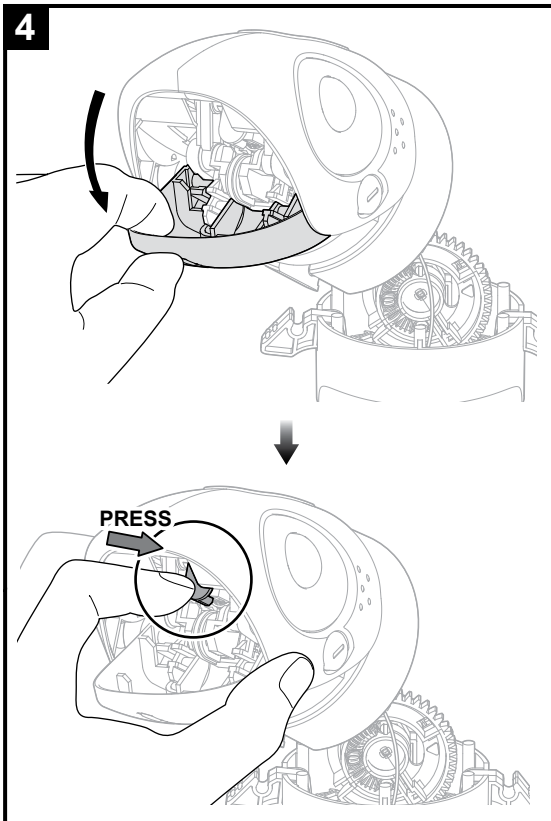






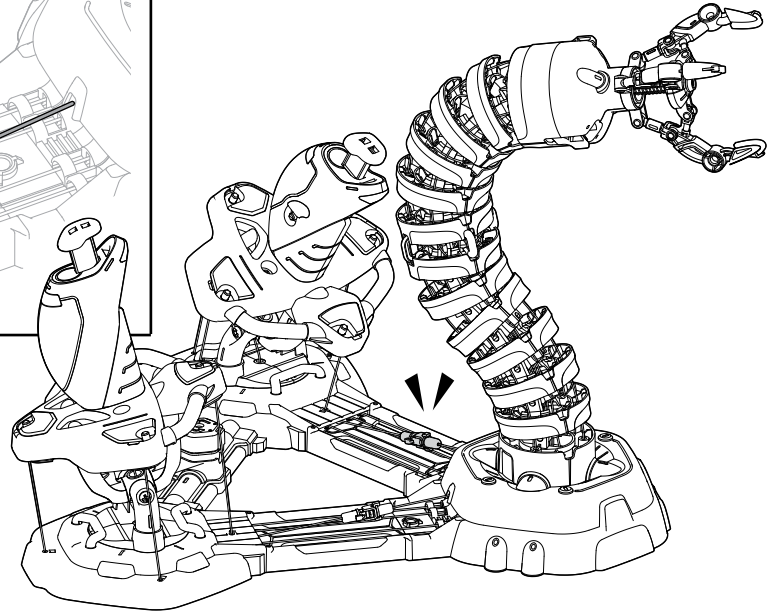
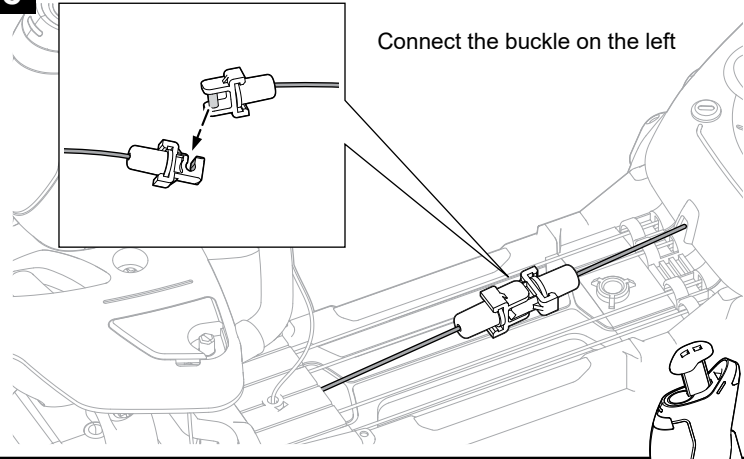
How to Change Garden Eel to the Claw





8

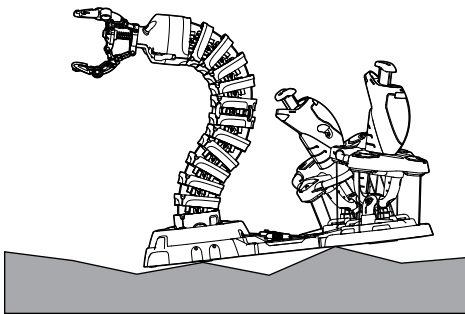
Connect the buckle on the left



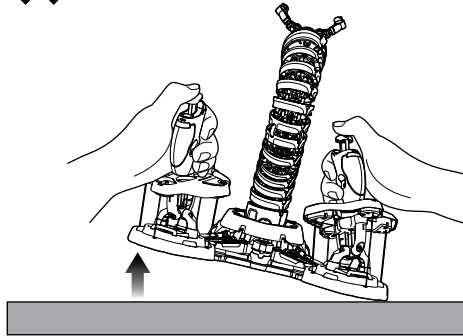
FINISH

Warning

✗ Avoid uneven surfaces.



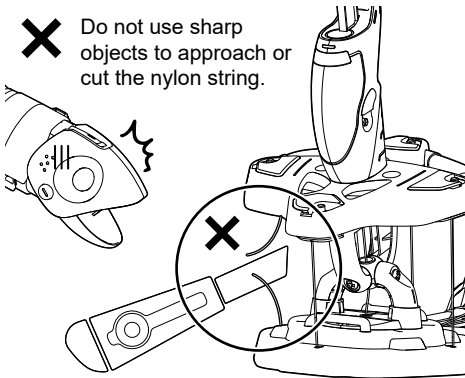
✗ Do not pull or lift.



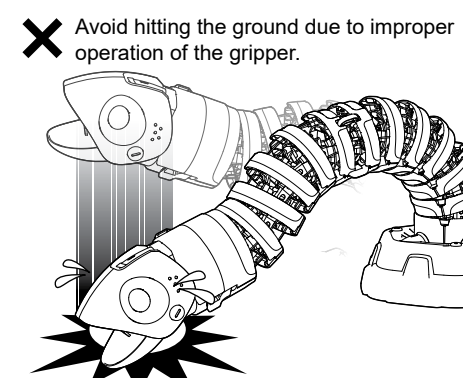
✗ Do not twist the joysticks.



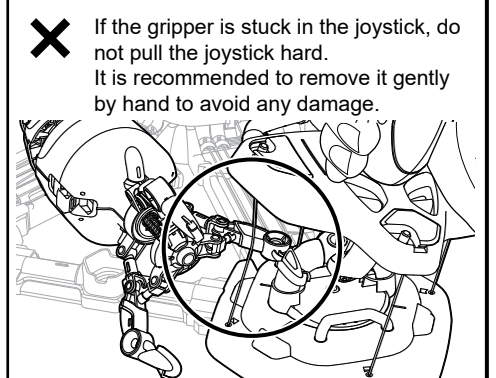
✗ Do not use sharp objects to approach or cut the nylon string.



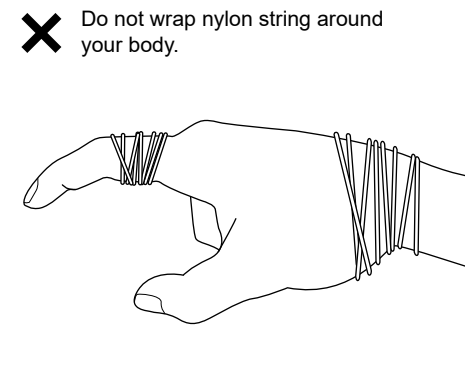
✗ Avoid hitting the ground due to improper operation of the gripper.



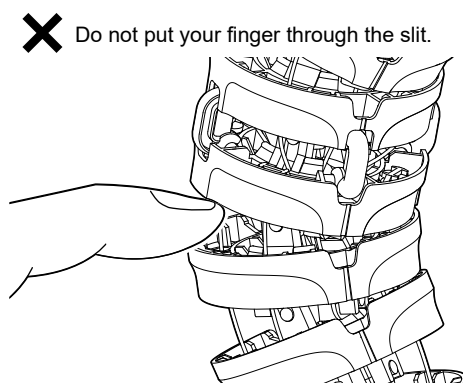
✗ If the gripper is stuck in the joystick, do not pull the joystick hard. It is recommended to remove it gently by hand to avoid any damage.



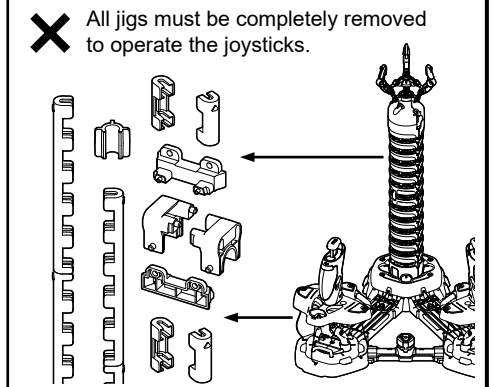
✗ Do not wrap nylon string around your body.



✗ Do not put your finger through the slit.

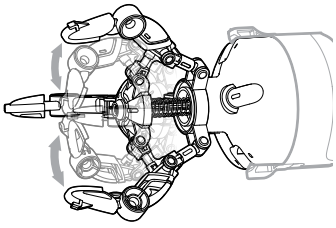


✗ All jigs must be completely removed to operate the joysticks.

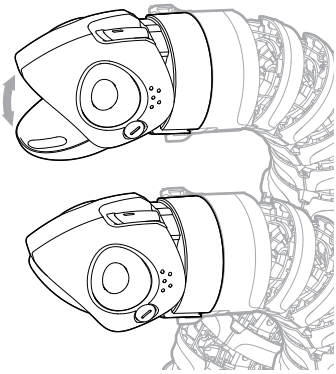


How to Play

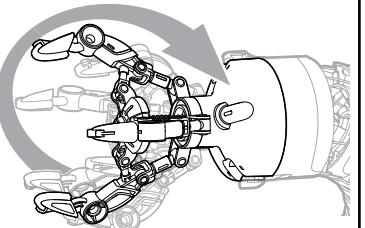
Claw



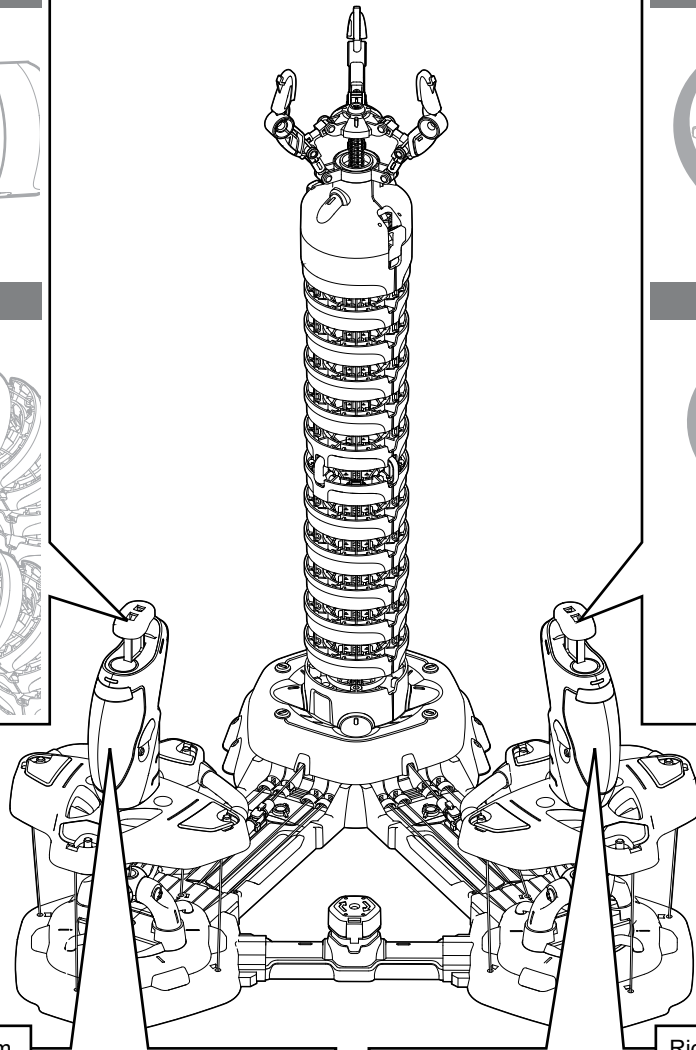
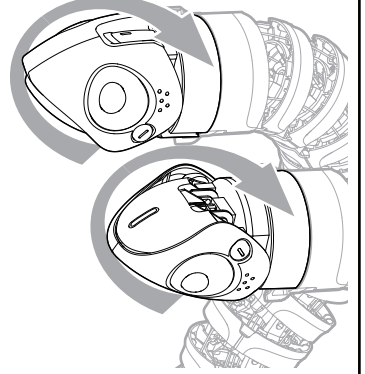
Garden Eel



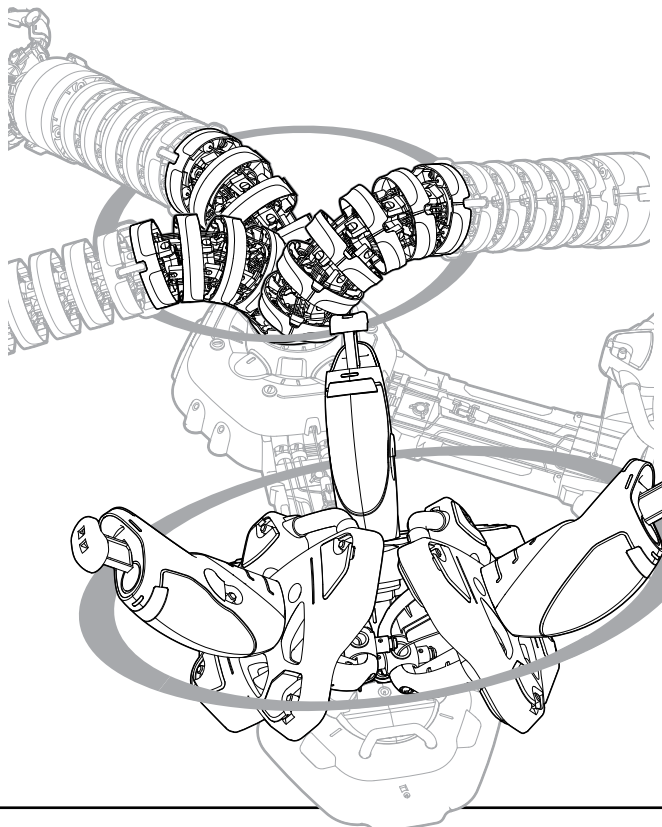
Claw



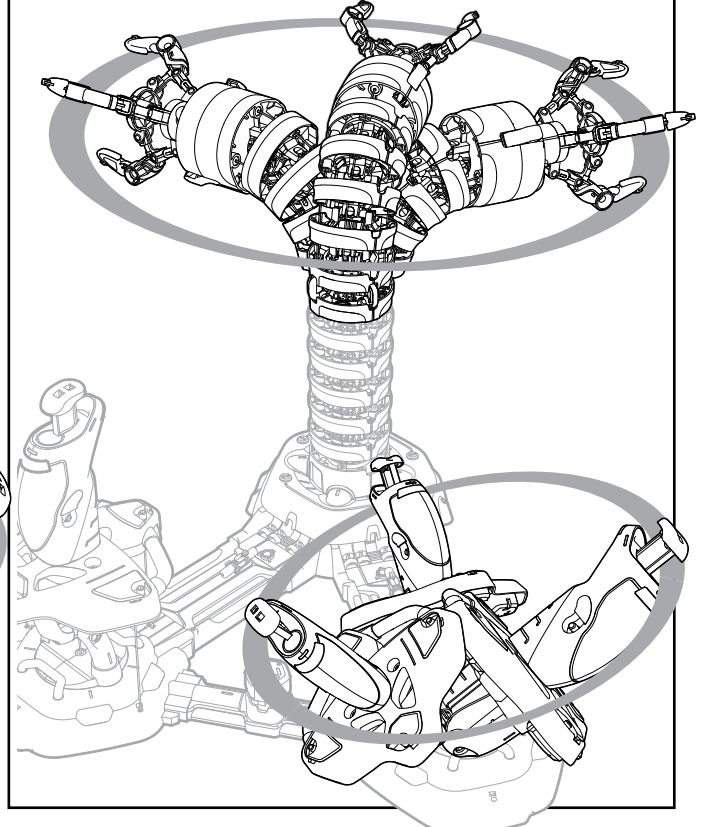
Garden Eel

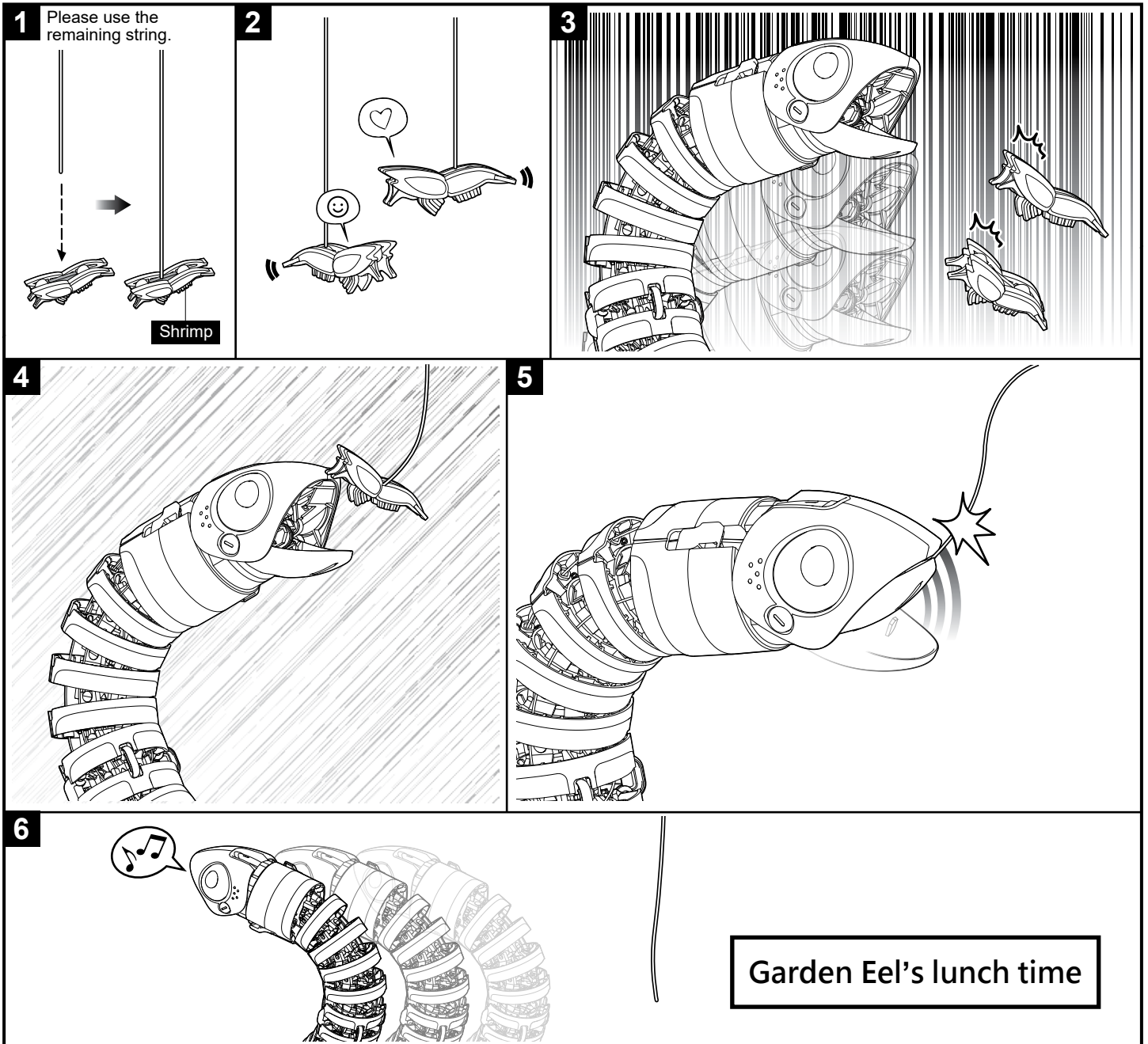


Left joystick controls lower arm.

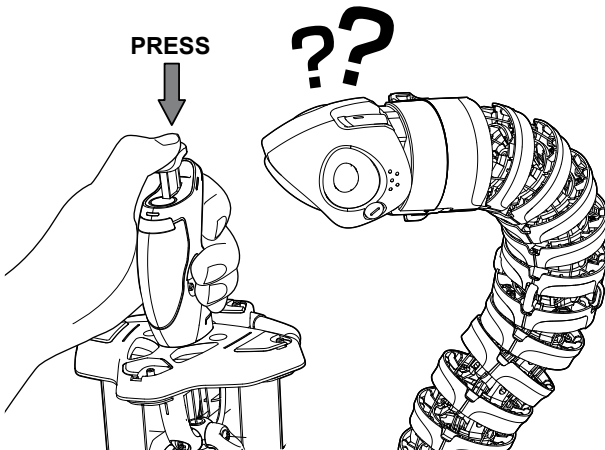
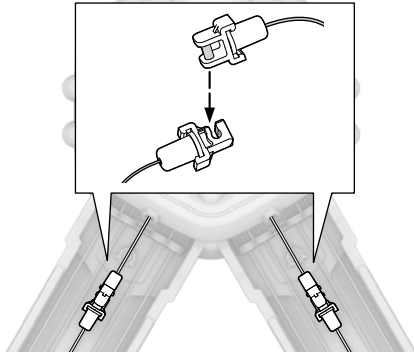


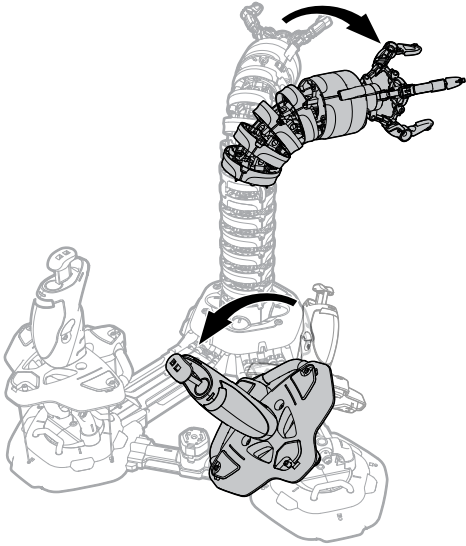
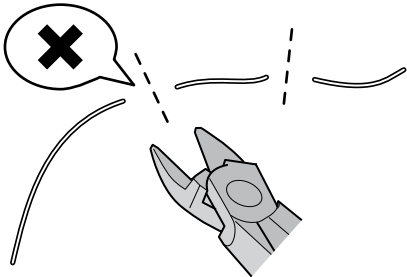
Right joystick controls upper arm.





Trouble Shooting

	Question	Answer
<p data-bbox="92 1809 124 1854">A</p> <p data-bbox="183 1570 630 1592">The claw or Garden Eel does not open well?</p> 	<p data-bbox="863 1570 1358 1592">1. Make sure that the buckle is securely fastened.</p>  <p data-bbox="863 2027 1428 2116">2. Go back to page 7~10, step 7 ~ 17, page 12~15, step 7~17, page 37, step 5, page 38, step 9, and check if all steps are installed correctly.</p>	

	Question	Answer
B	<p>Arm direction opposite to the operating direction?</p> 	<p>Please check the following points in order until the problem is solved.</p> <ol style="list-style-type: none"> 1. Go back to page 27~34, step 2 ~ 26 , and check if all steps are installed correctly. 2. Go back to page 37~38, step 4 ~ 11 , and check if all steps are installed correctly.
C	<p>The nylon string is accidentally cut into wrong length and can't be assembled?</p> 	<p>0.8mm nylon string or fishing line can be used as a substitute.</p>

An incredible
Operating experience!!



Garden Eel



Distributed by:
Electus Distribution Pty Ltd
46 Eastern Creek Dr,
Eastern Creek NSW 2766
Australia
1300 738 555
electusdistribution.com.au



WARNING :
CHOKING HAZARD
Small parts
Not for children under
3 years