

FRILLED LIZARD

ROBOT KIT



Assembly & Instruction

Manual

Build your own Robot Pet

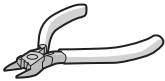
Frilled Lizard Robot KIT

Product Introduction

Frilled Lizard Robot has an infrared sensor that is programmed to “escape” or “follow-me”. If the infrared sensor is activated in the “escape” mode the robot will automatically act “shocked!”, spreading its frill, dropping its jaw, illuminates its bicolor LED eyes and will scurry away from you until it escapes to a safe distance. If the infrared sensor is switched to the “follow-me” mode using the 2 way function switch, then the robot will assess danger by bluffing the attacker (unfurling and shaking its frill). When the robot does not sense danger it will proceed to follow you like a pet lizard.







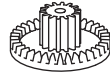
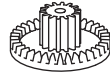



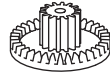


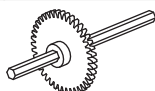
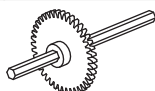



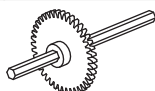










Thank goodness, that unlike the wacky frilled lizard that roams in Australia’s tropical woodland, this Frilled Lizard Robot is whimsically kooky and fun to build.


Tools You May Need

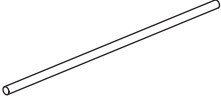
Diagonal Cutter	Screwdriver	Knife	Hammer	Battery(AAA) x 4
				 Alkaline batteries are recommended

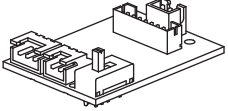
Mechanical Parts List

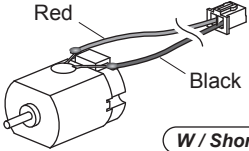
! Product contains functional edges and sharp points.

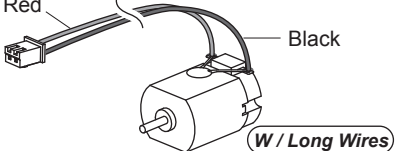
<table border="1"> <tr> <th>P1</th> <th>Pinion Gear(White)</th> <th>QTY</th> </tr> <tr> <td></td> <td>2</td> </tr> </table>	P1	Pinion Gear(White)	QTY		2	<table border="1"> <tr> <th>P2</th> <th>Gear(Red)</th> <th>QTY</th> </tr> <tr> <td></td> <td>1</td> </tr> </table>	P2	Gear(Red)	QTY		1	<table border="1"> <tr> <th>P3</th> <th>Gear(Yellow)</th> <th>QTY</th> </tr> <tr> <td></td> <td>1</td> </tr> </table>	P3	Gear(Yellow)	QTY		1	<table border="1"> <tr> <th>P4</th> <th>Gear(White)</th> <th>QTY</th> </tr> <tr> <td></td> <td>1</td> </tr> </table>	P4	Gear(White)	QTY		1
P1	Pinion Gear(White)	QTY																					
	2																						
P2	Gear(Red)	QTY																					
	1																						
P3	Gear(Yellow)	QTY																					
	1																						
P4	Gear(White)	QTY																					
	1																						
<table border="1"> <tr> <th>P5</th> <th>Gear(Purple)</th> <th>QTY</th> </tr> <tr> <td></td> <td>1</td> </tr> </table>	P5	Gear(Purple)	QTY		1	<table border="1"> <tr> <th>P6</th> <th>Gear With Shaft</th> <th>QTY</th> </tr> <tr> <td></td> <td>1</td> </tr> </table>	P6	Gear With Shaft	QTY		1	<table border="1"> <tr> <th>P7</th> <th>Tapping Screw</th> <th>QTY</th> </tr> <tr> <td></td> <td>5</td> </tr> </table>	P7	Tapping Screw	QTY		5						
P5	Gear(Purple)	QTY																					
	1																						
P6	Gear With Shaft	QTY																					
	1																						
P7	Tapping Screw	QTY																					
	5																						
<table border="1"> <tr> <th>P8</th> <th>Hex Shaft(Short)</th> <th>QTY</th> </tr> <tr> <td> (1:1)</td> <td>1</td> </tr> </table>	P8	Hex Shaft(Short)	QTY	 (1:1)	1	<table border="1"> <tr> <th>P9</th> <th>Hex Shaft(Middle)</th> <th>QTY</th> </tr> <tr> <td> (1:1)</td> <td>1</td> </tr> </table>	P9	Hex Shaft(Middle)	QTY	 (1:1)	1	<table border="1"> <tr> <th>P10</th> <th>Hex Shaft(Long)</th> <th>QTY</th> </tr> <tr> <td> (1:1)</td> <td>1</td> </tr> </table>	P10	Hex Shaft(Long)	QTY	 (1:1)	1						
P8	Hex Shaft(Short)	QTY																					
 (1:1)	1																						
P9	Hex Shaft(Middle)	QTY																					
 (1:1)	1																						
P10	Hex Shaft(Long)	QTY																					
 (1:1)	1																						

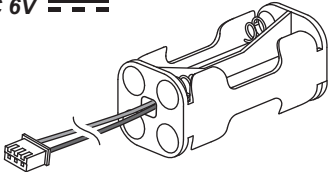
P11	Round Shaft	QTY
		2


P12	Round Shaft	QTY
		1

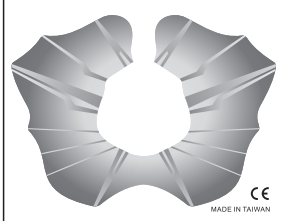
P13	PC Board	QTY
		1

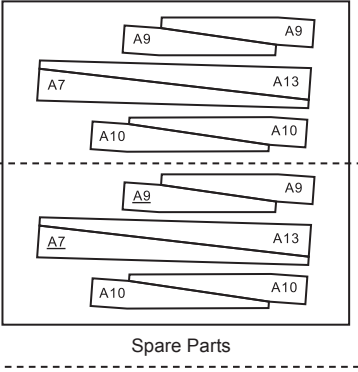
P14	Motor With Connector	QTY
		1

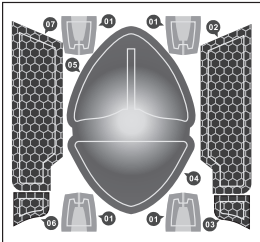
P15	Motor With Connector	QTY
		1

P16	Battery Holder With Connector	QTY
		1

P17	PC Board With Connector	QTY
		1

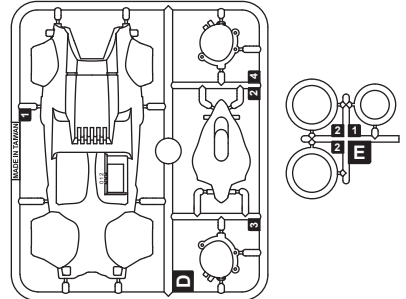
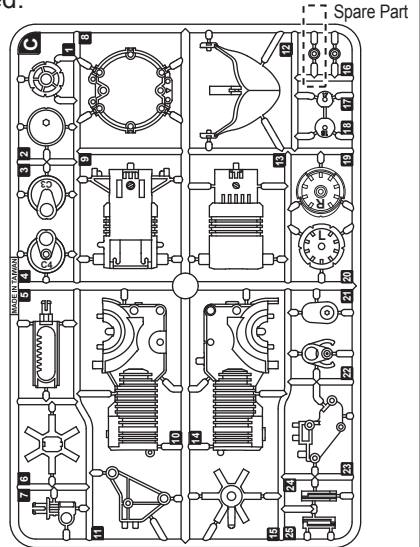
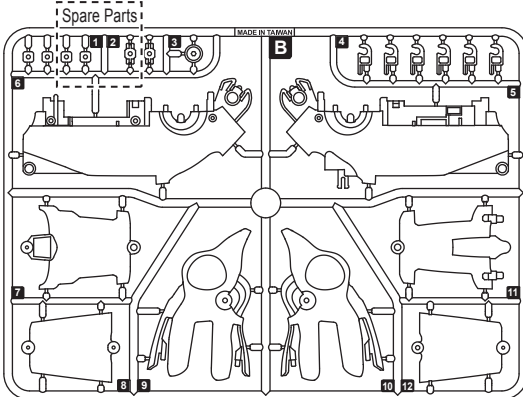
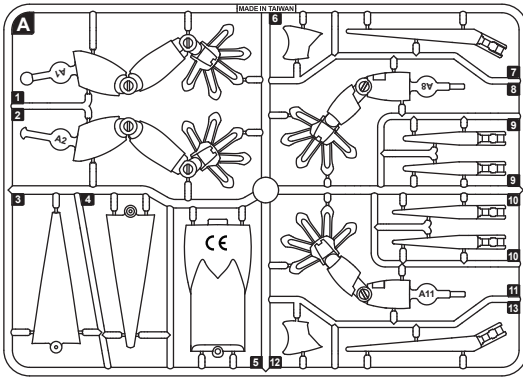
P18	Frill	QTY
		1
(Spare part : 1 pc)		

P19	Adhesive Tape	QTY
		1

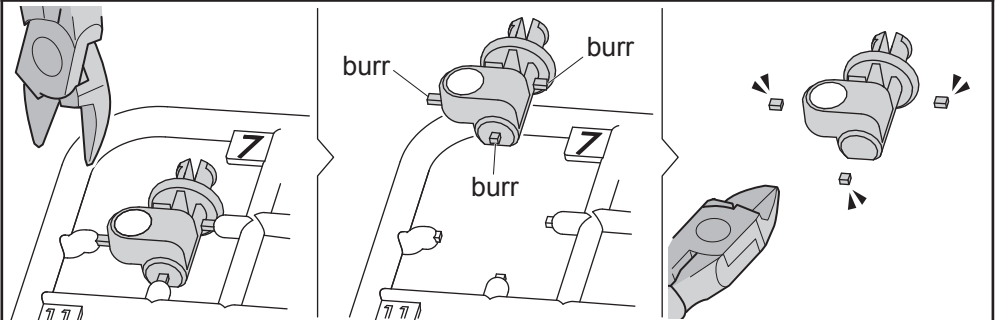
P20	Sticker	QTY
		1

Plastic Parts

! Cut the plastic parts when they are required.
Do not cut them in advance.

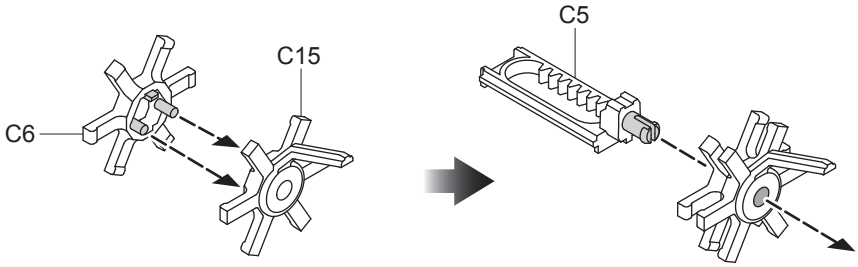


! Tip: cut off the burrs before assembly

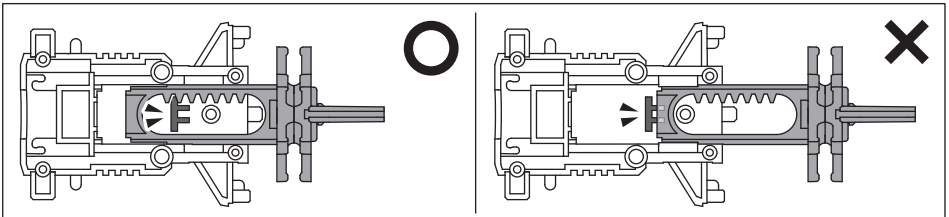
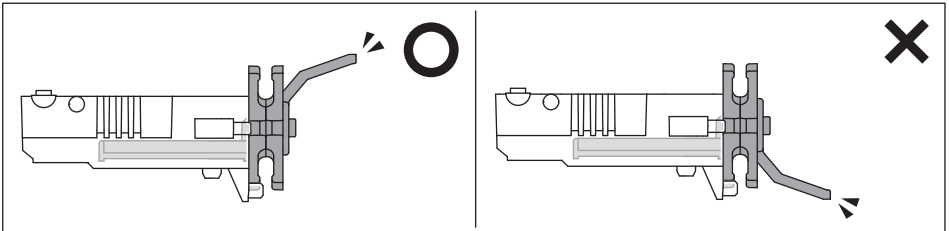
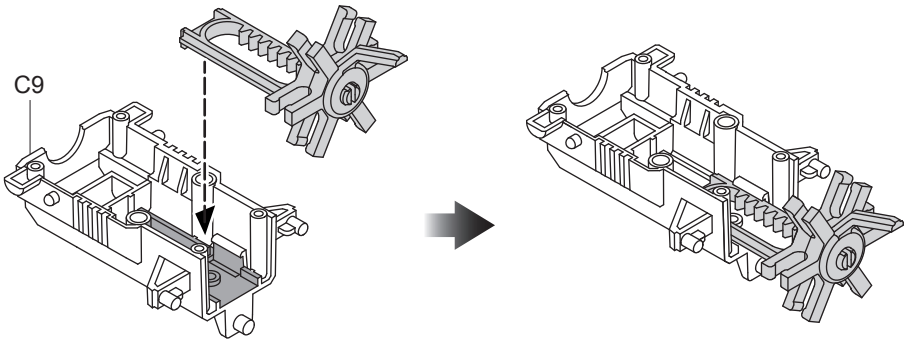


Head Module Assembly

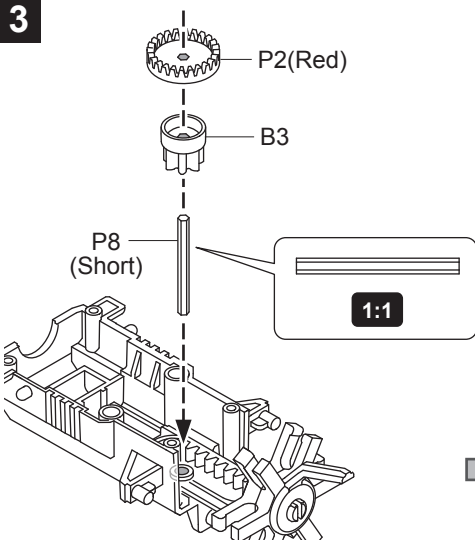
1



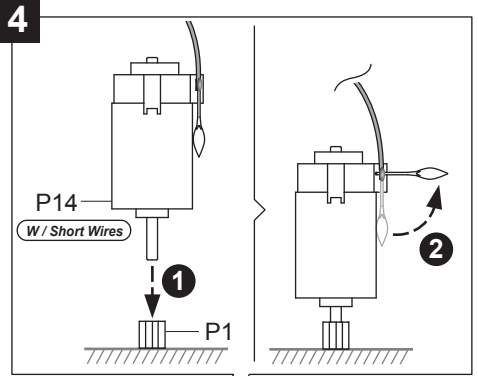
2



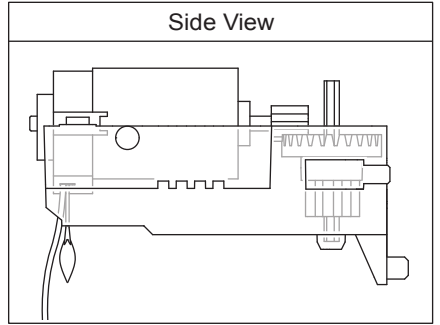
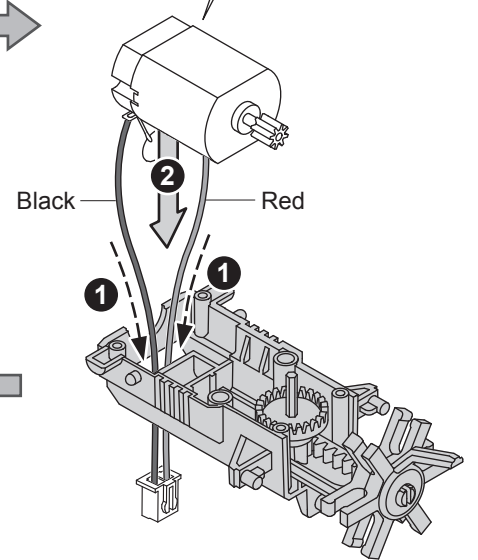
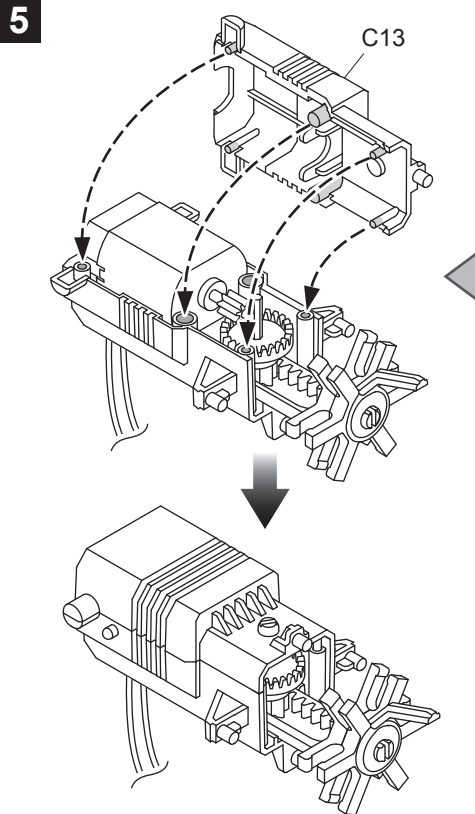
3



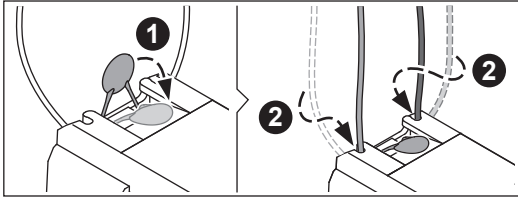
4



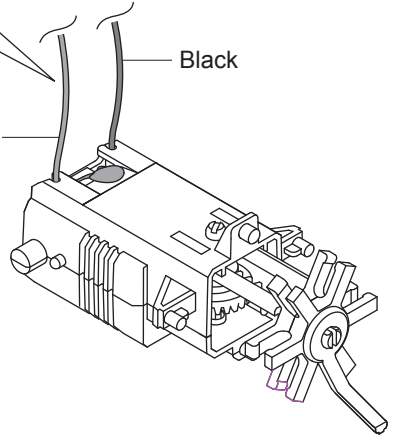
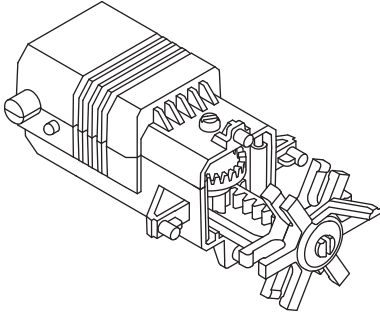
5



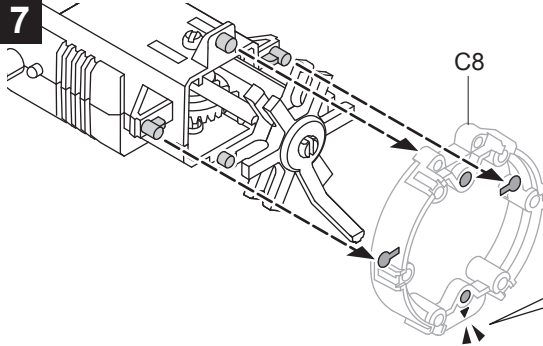
6



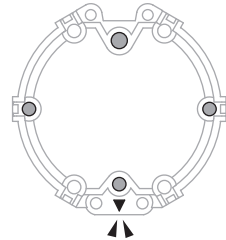
Black
Red



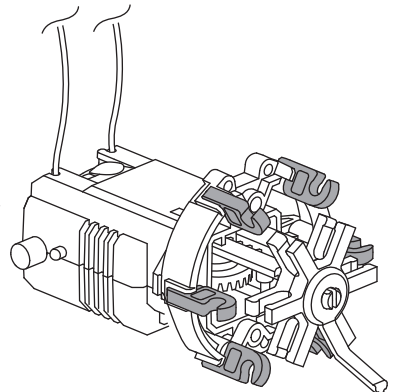
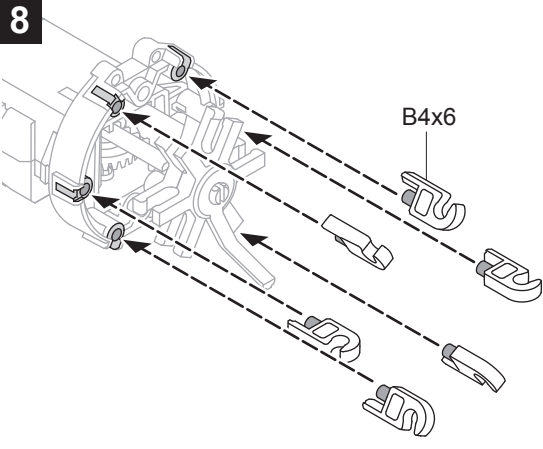
7



Make sure "▼" to be faced up to you, it is to assist you in assembling C8 correctly.



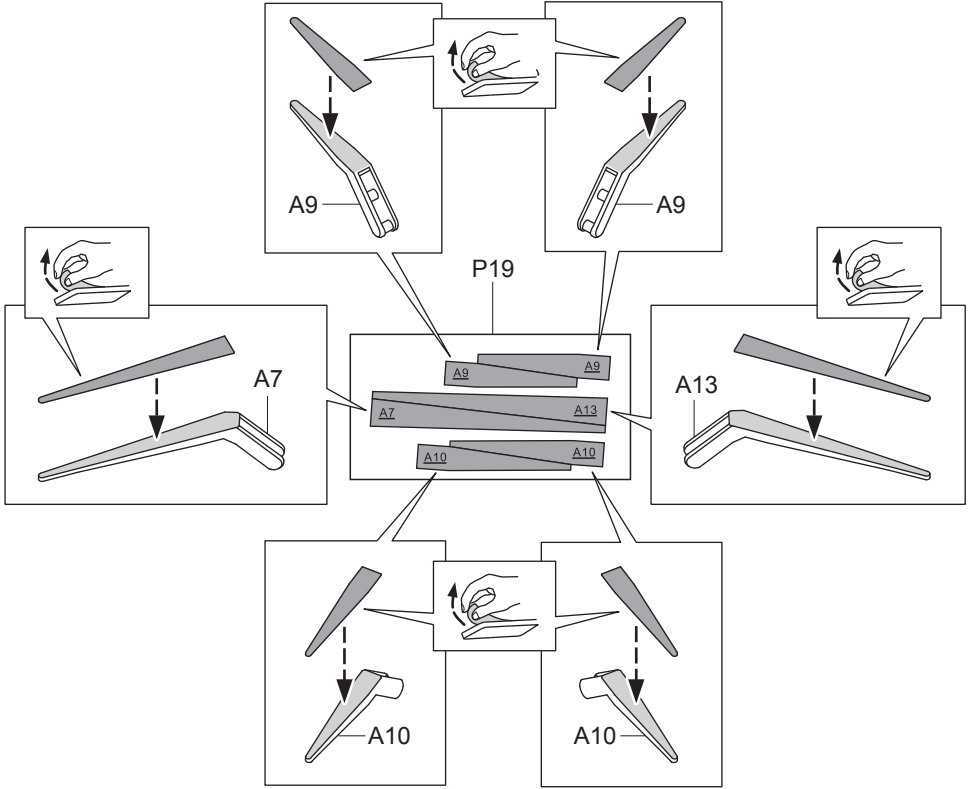
8



9

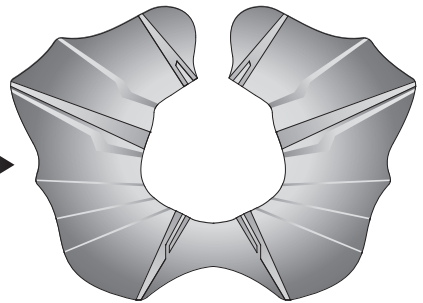
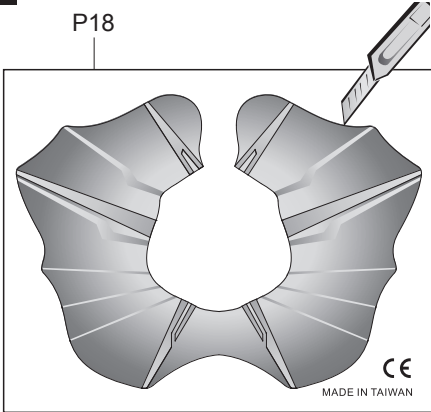


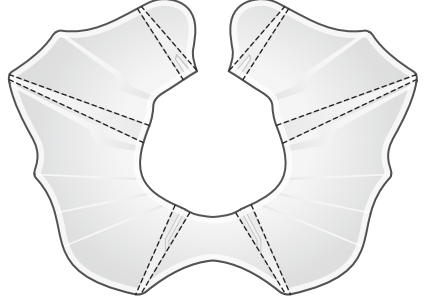
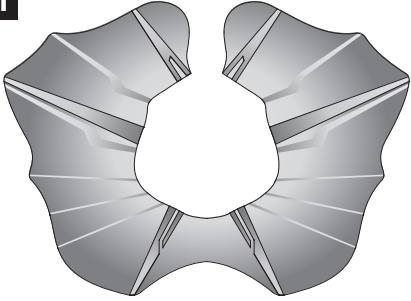
Make sure adhesive tapes come with thin glued films while tearing off.




10 Cut the frill as below illustration.

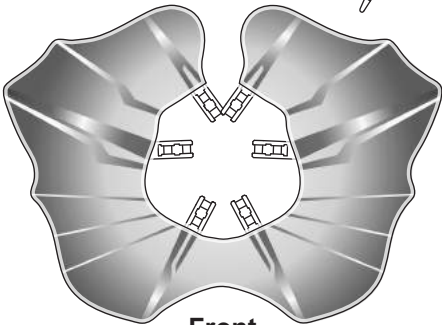
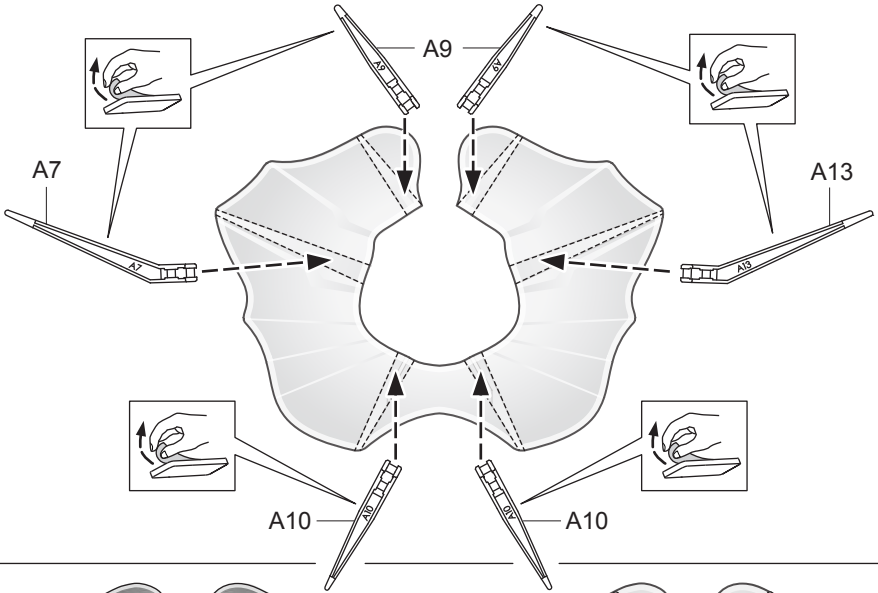
*Includes an extra frill



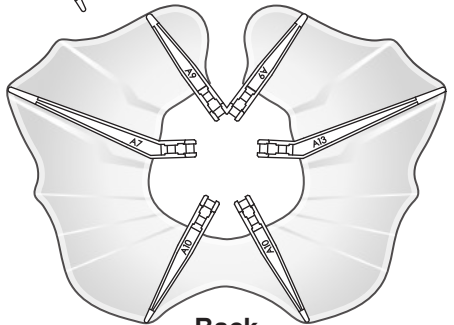


 No stickers on the printing side.

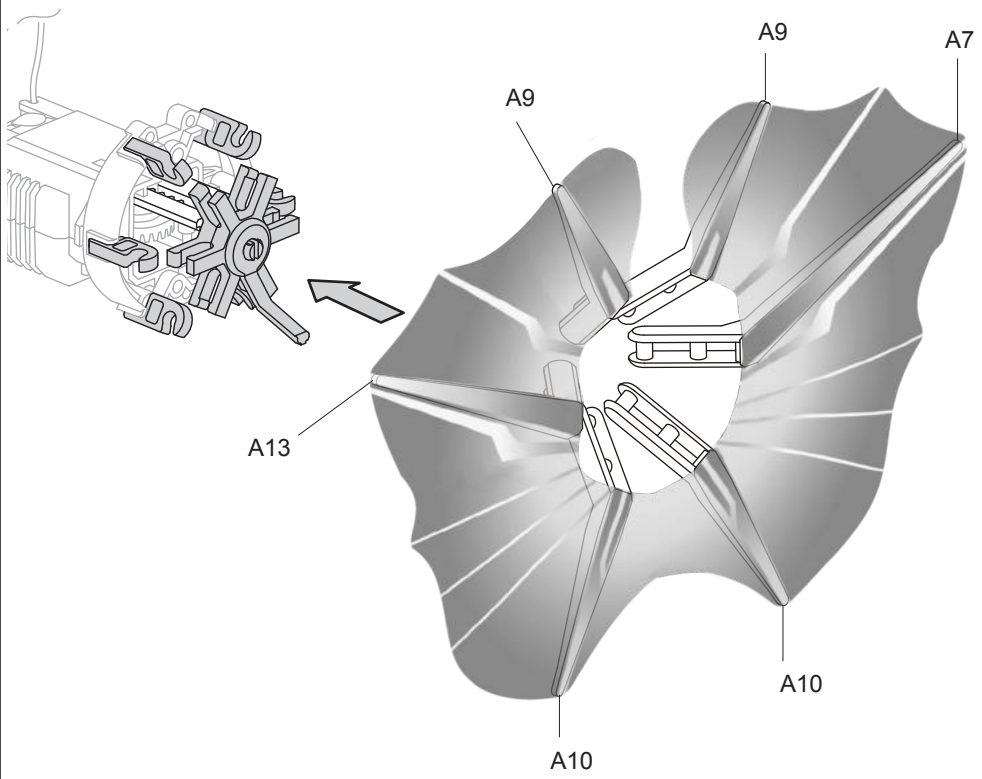
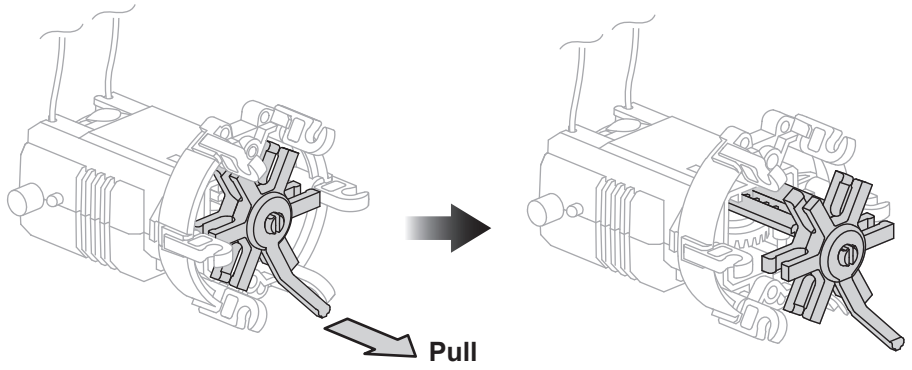
 The opposite (no printing) side to be faced up.



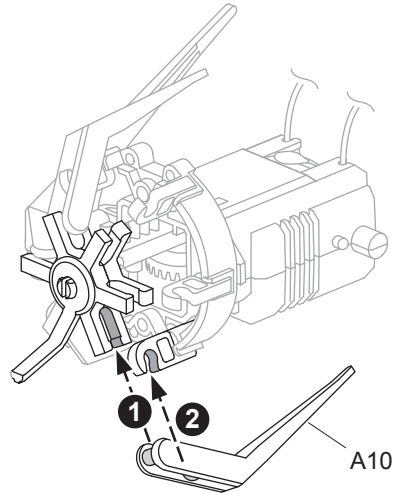
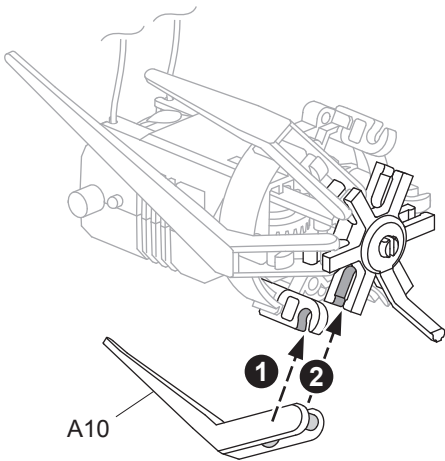
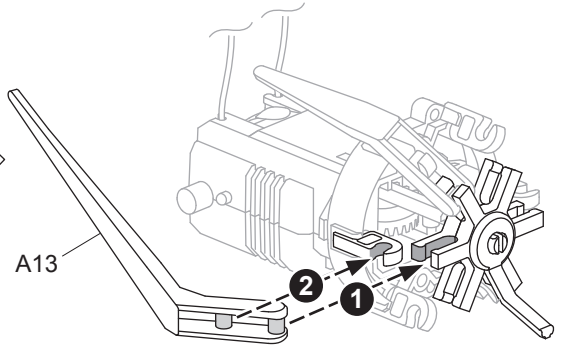
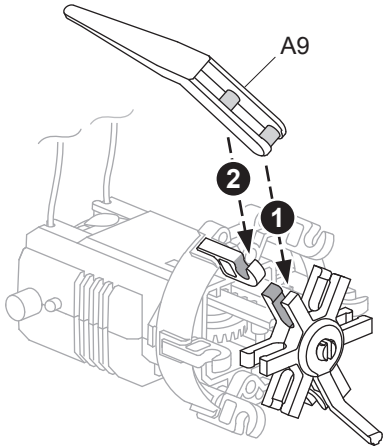
Front

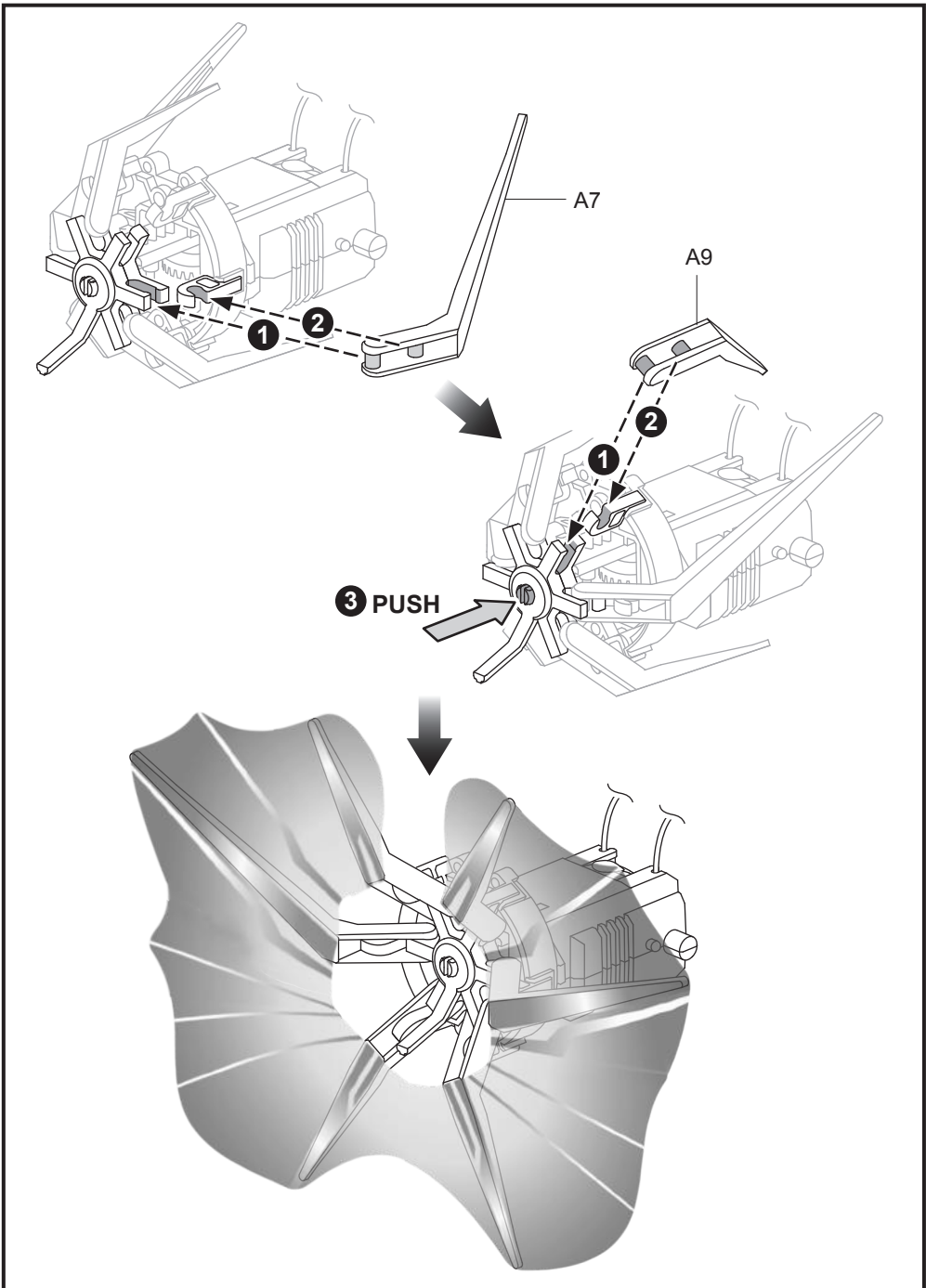


Back

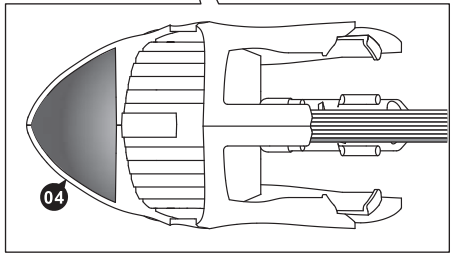
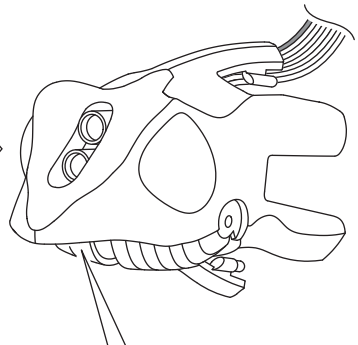
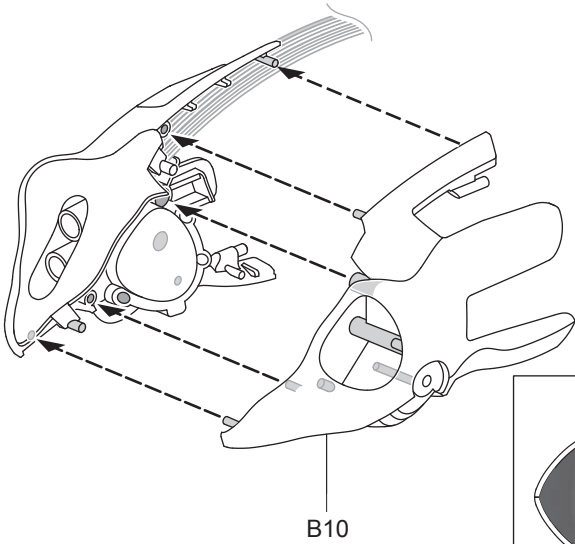
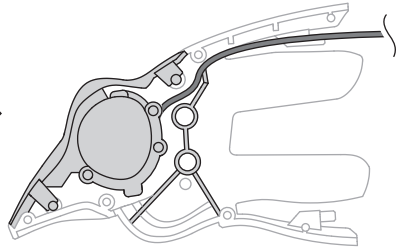
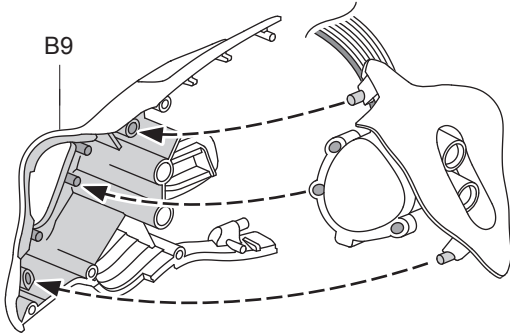
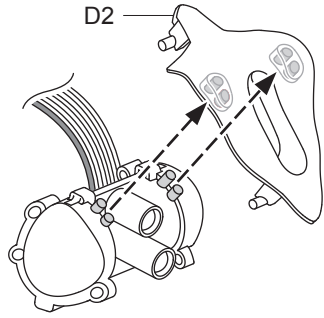
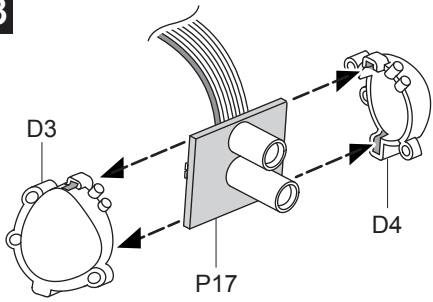


Note: Frill is not pictured below to clearly illustrate assembly.

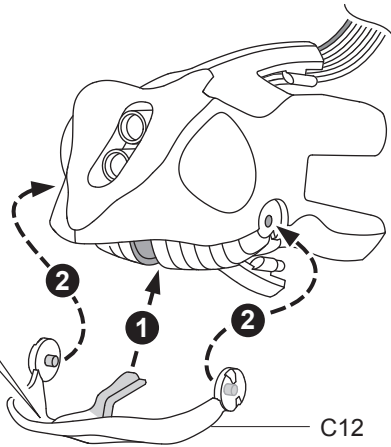
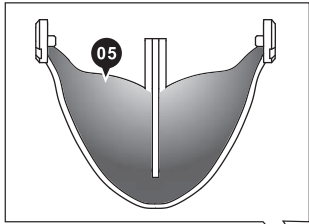




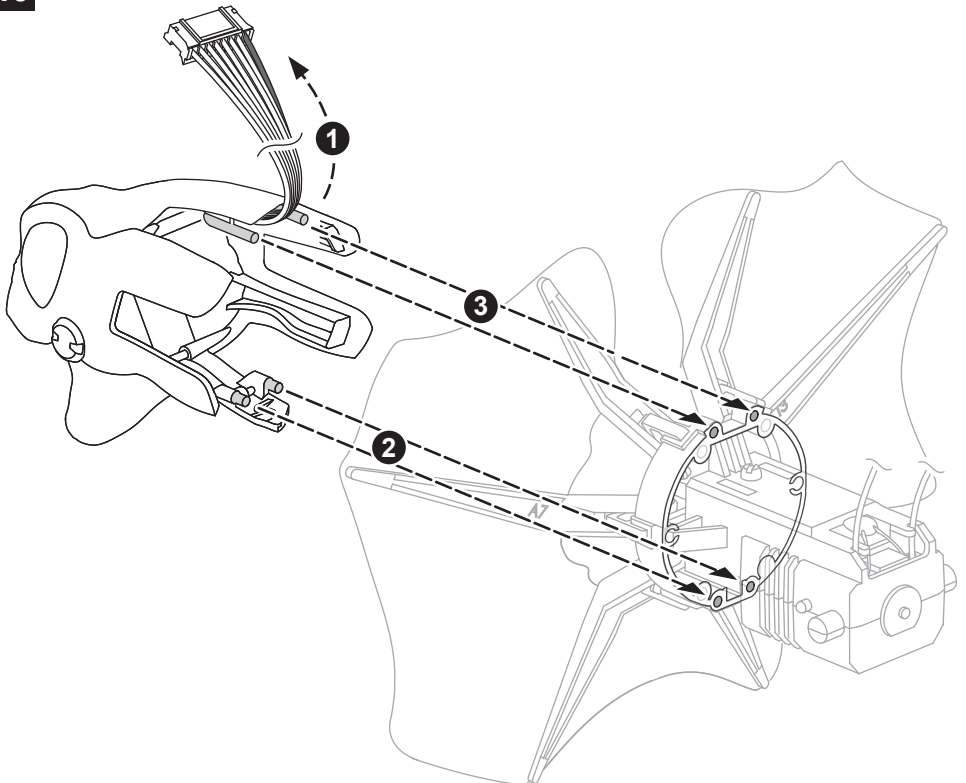
13

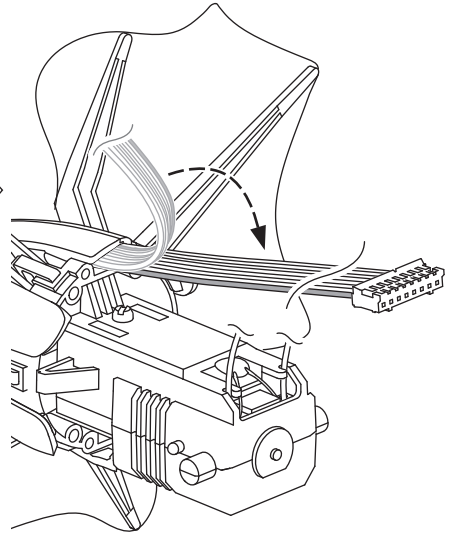
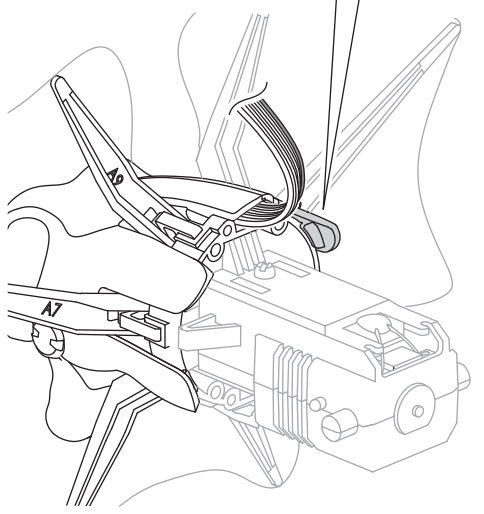
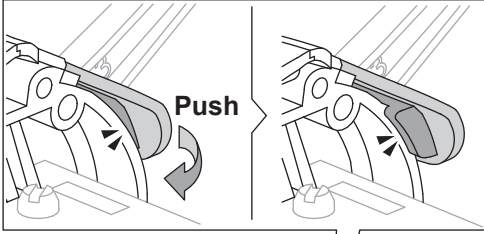


14

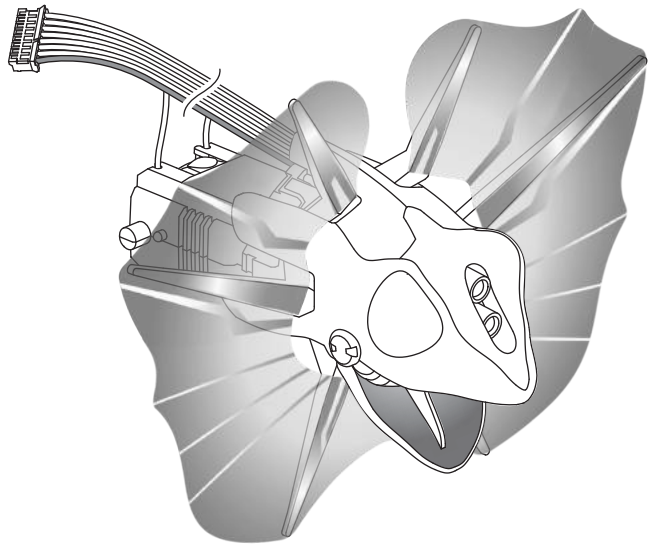


15



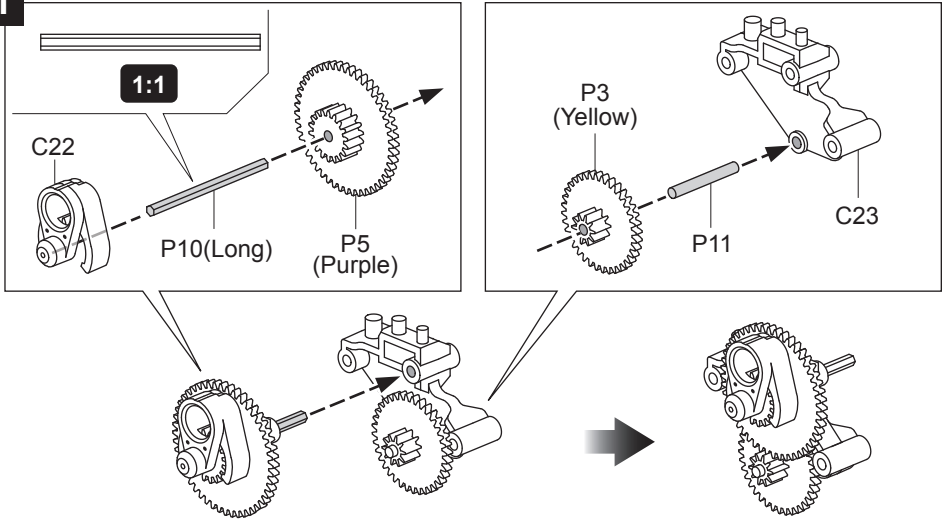


16



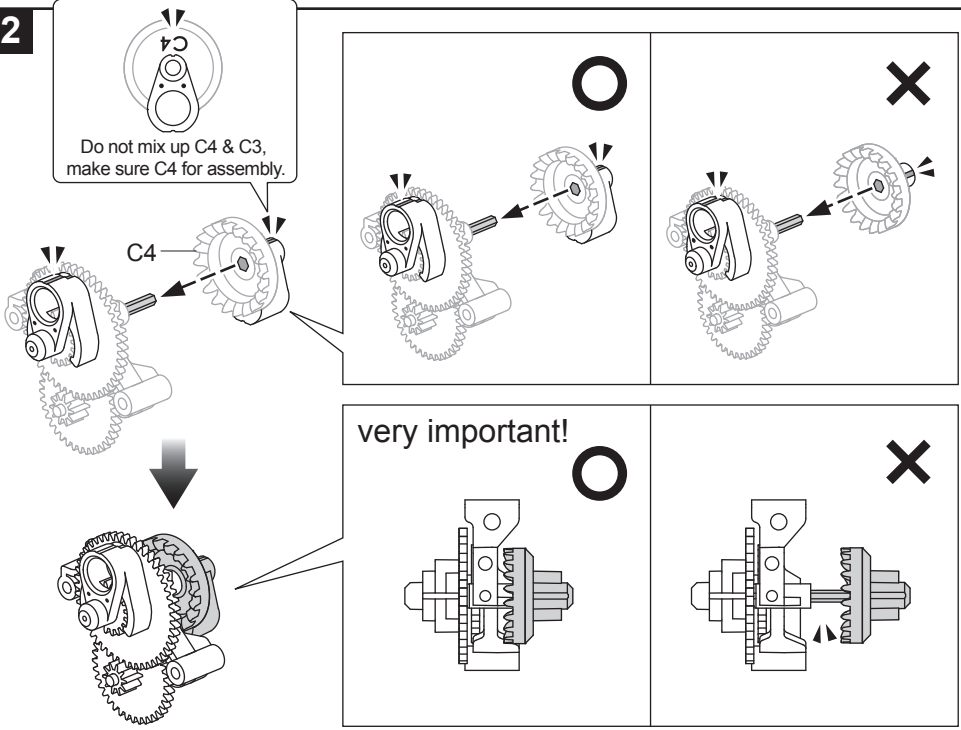
Body Module Assembly

1

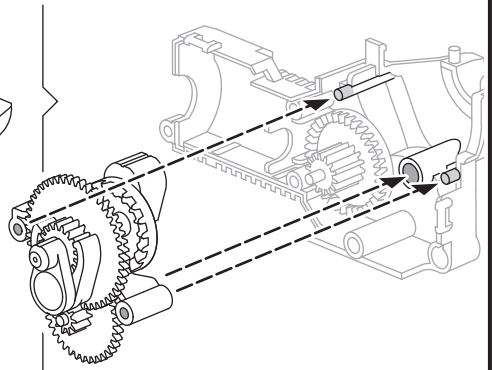
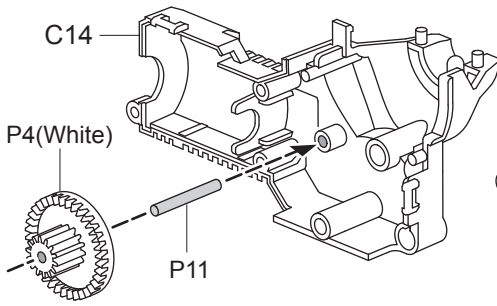


2

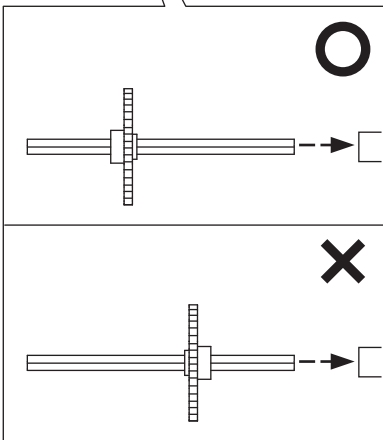
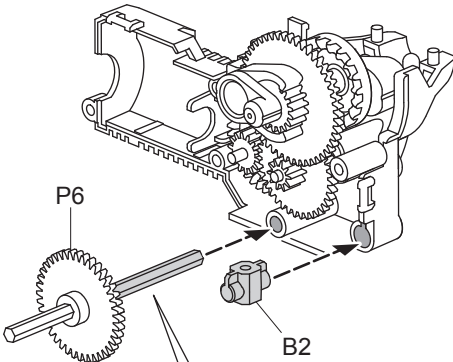
Do not mix up C4 & C3, make sure C4 for assembly.



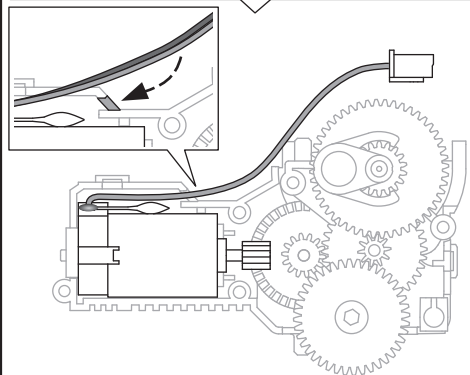
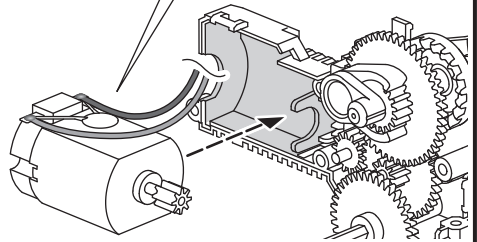
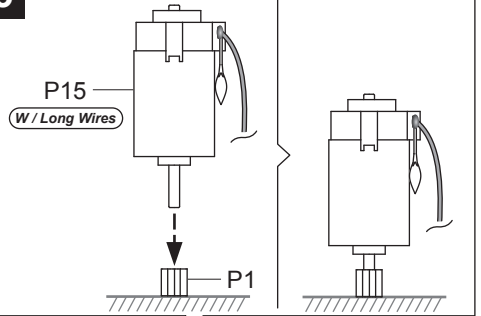
3



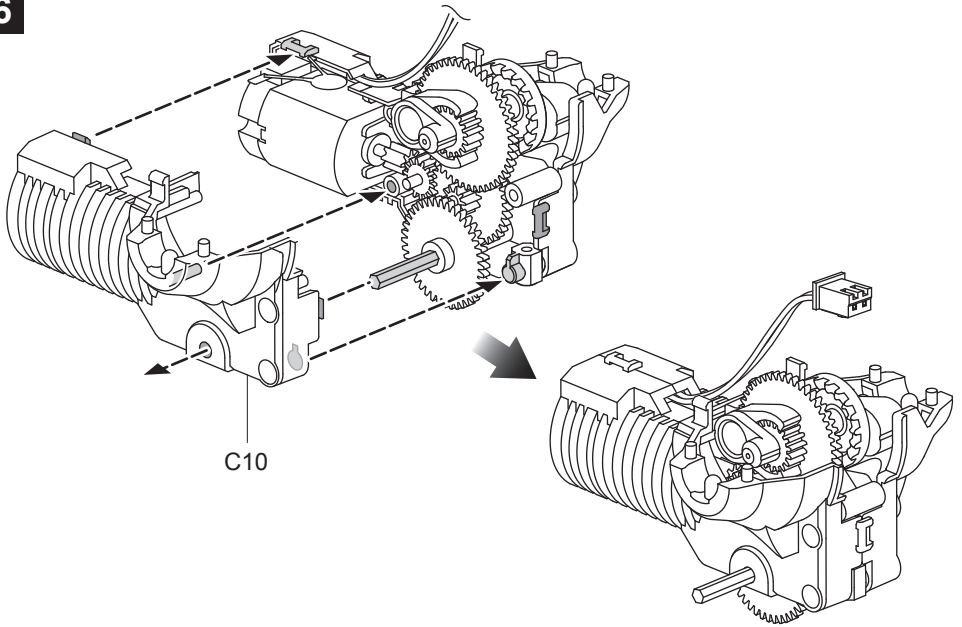
4



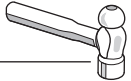
5



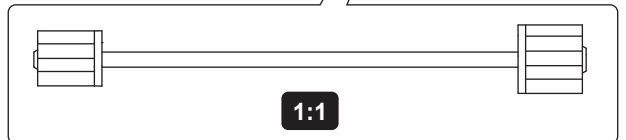
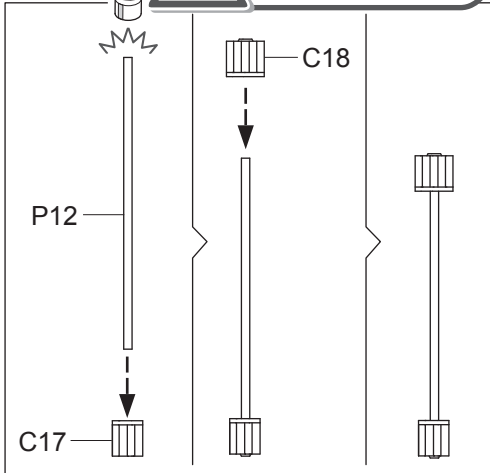
6



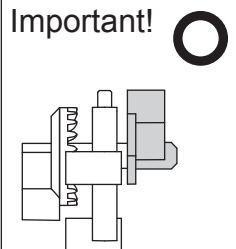
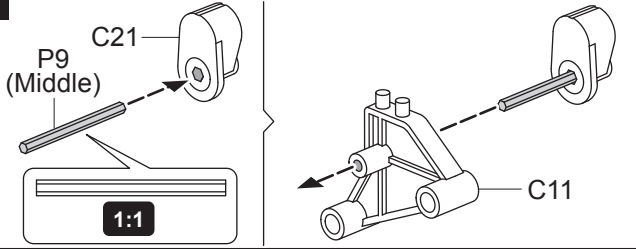
7



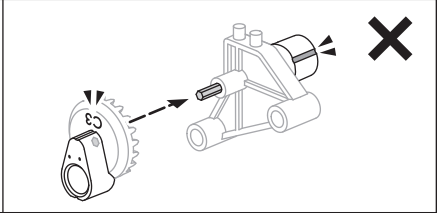
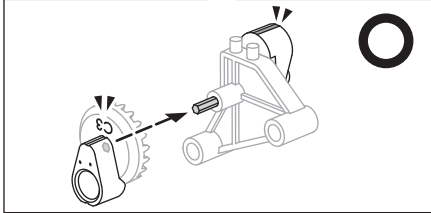
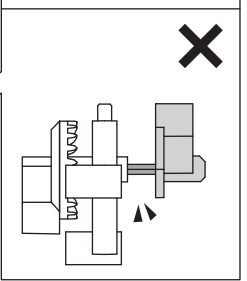
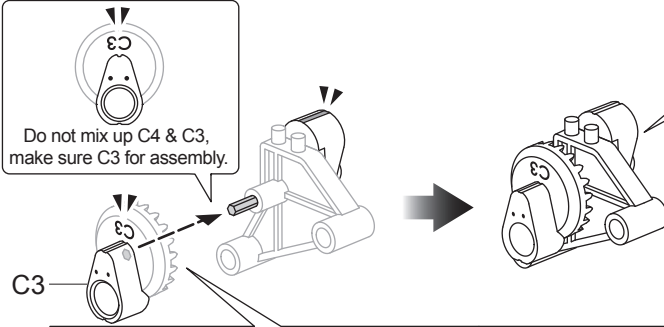
Hammer slightly.



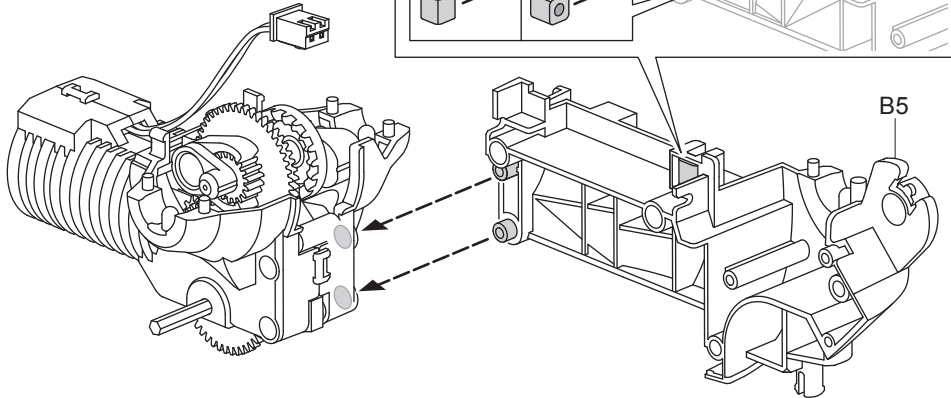
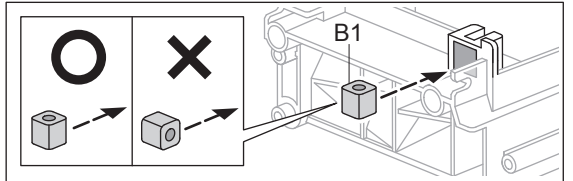
8

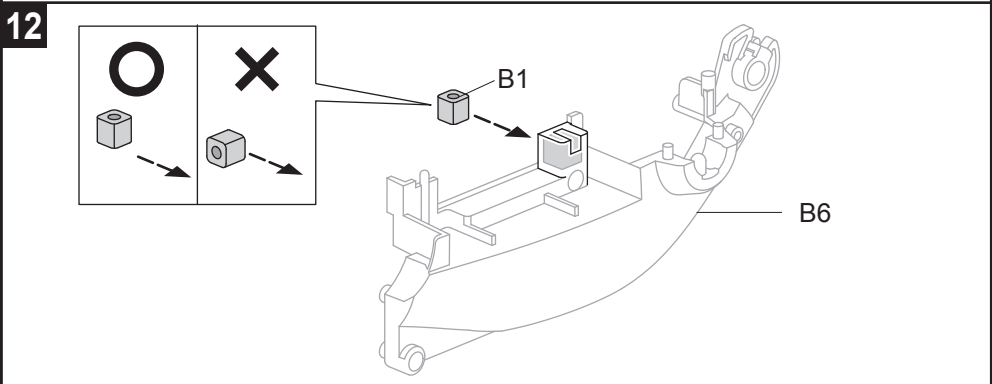
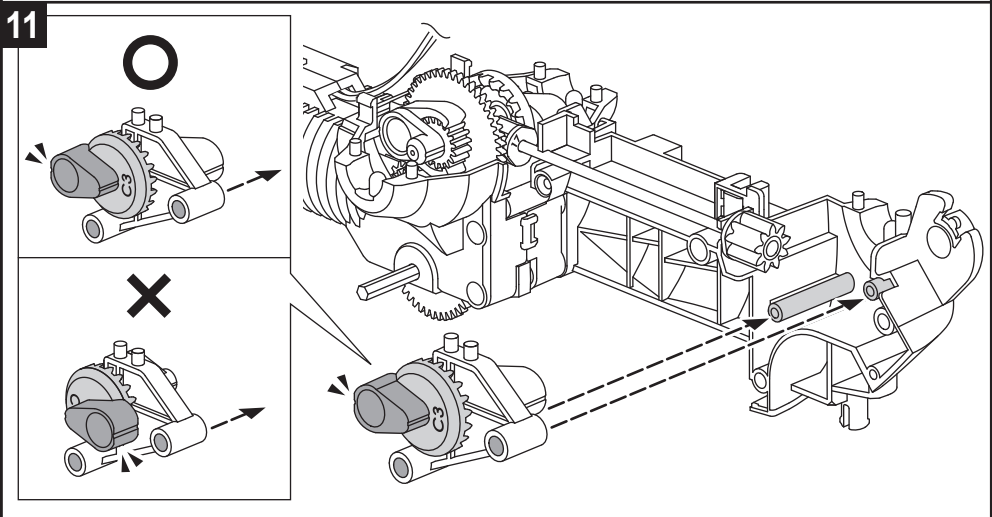
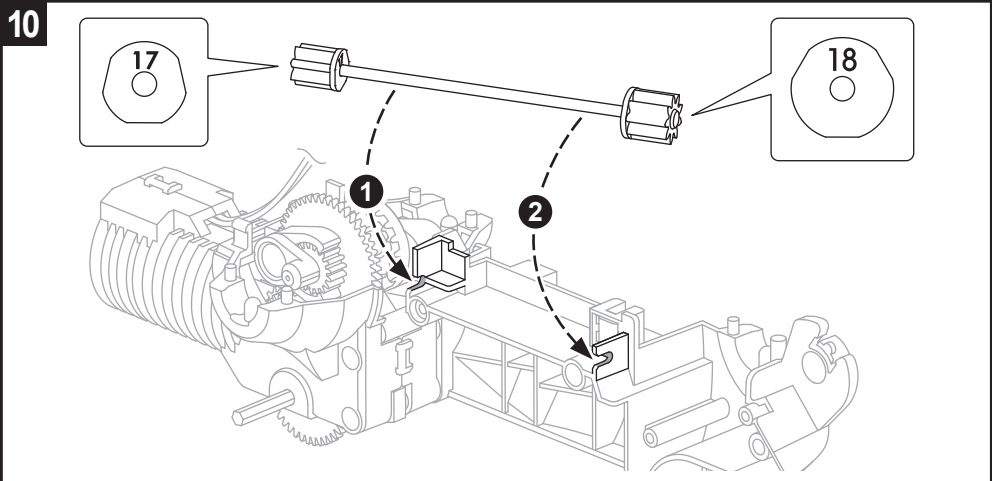


Do not mix up C4 & C3, make sure C3 for assembly.

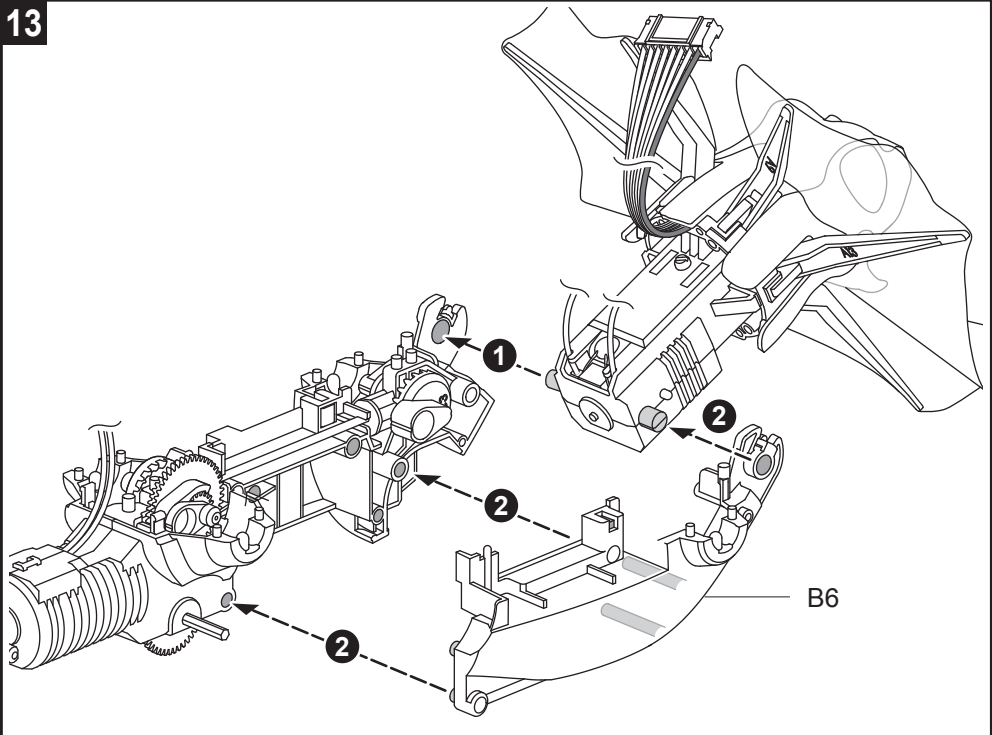


9

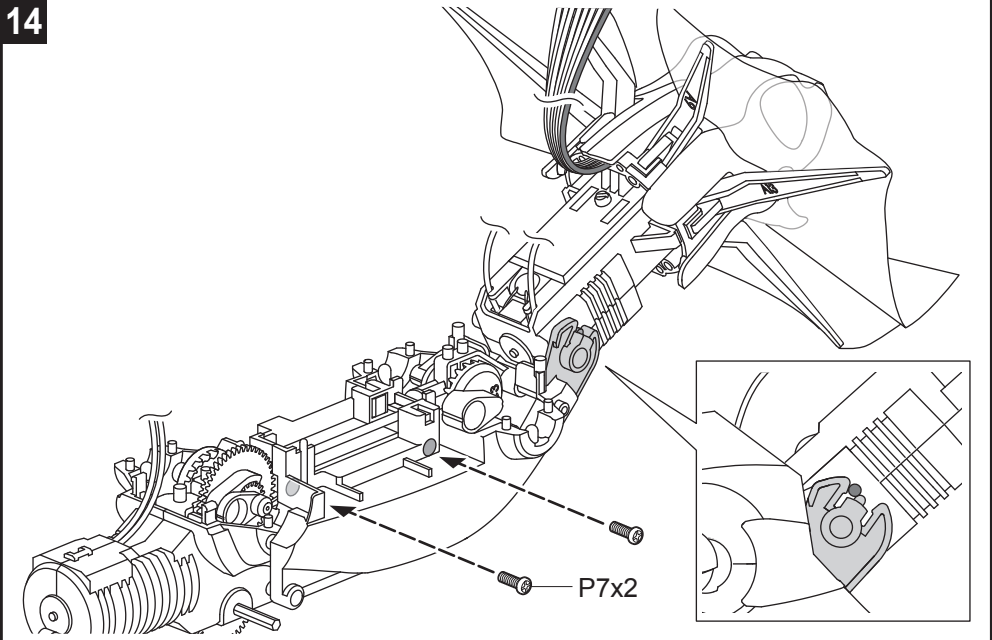




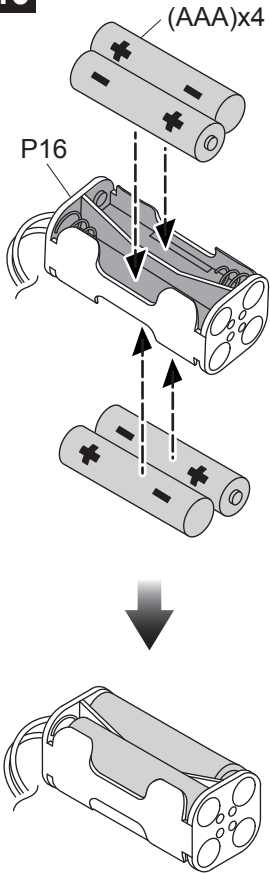
13



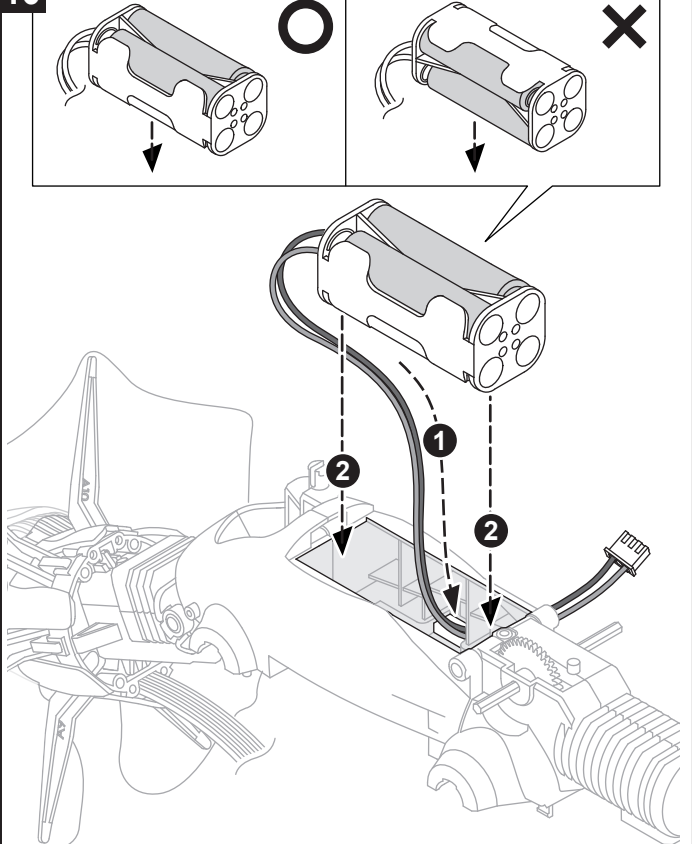
14



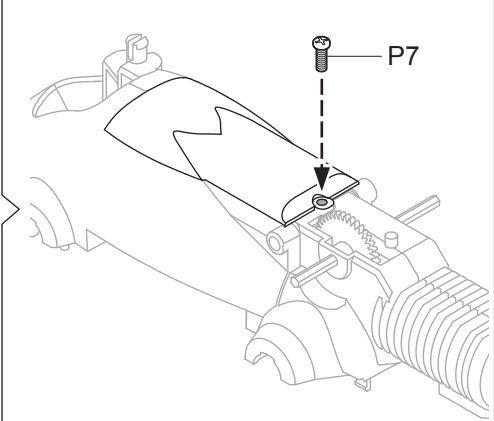
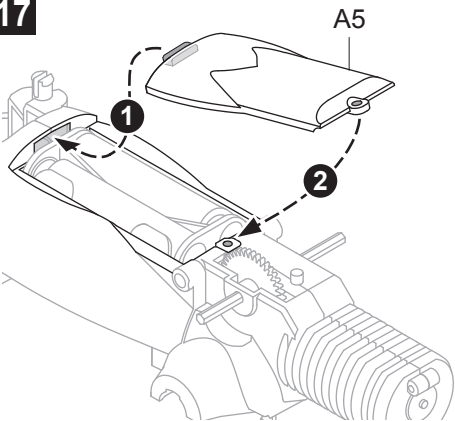
15

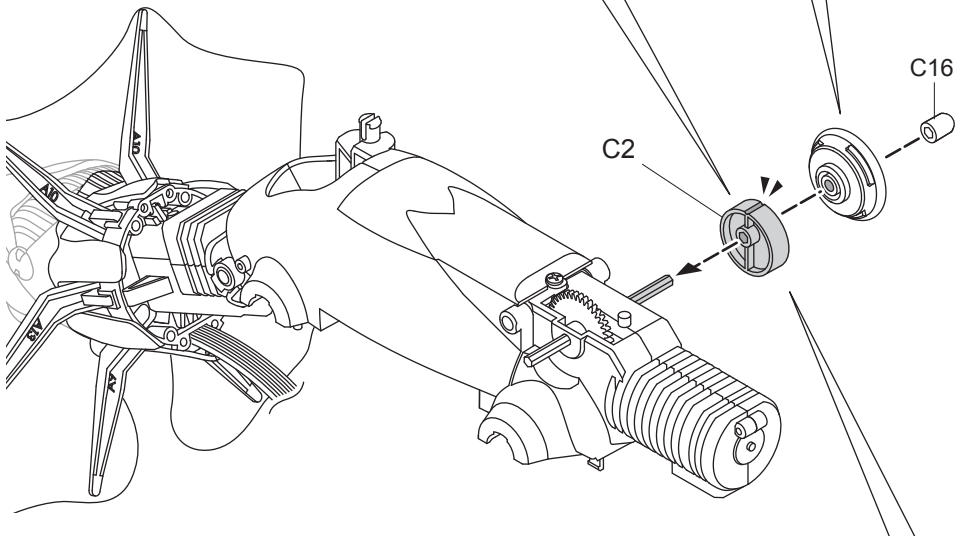
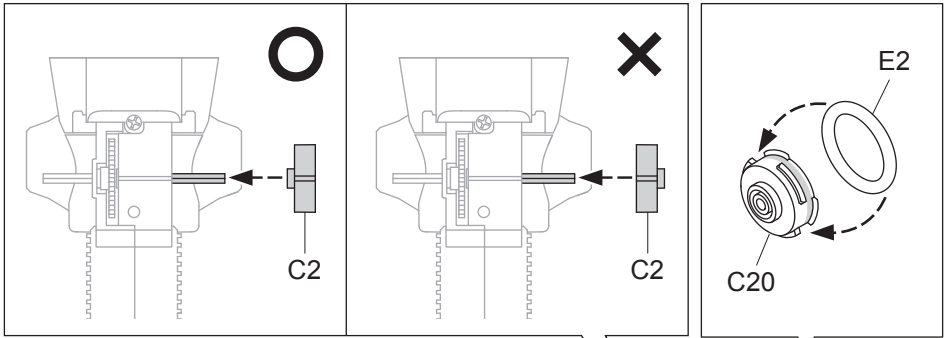


16

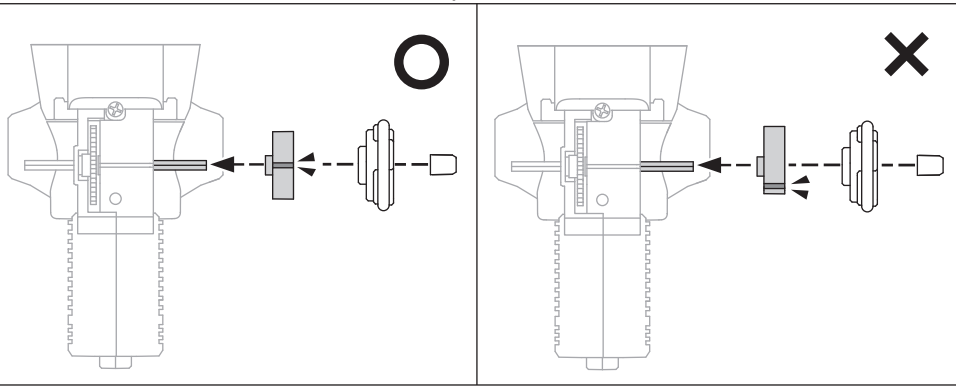


17

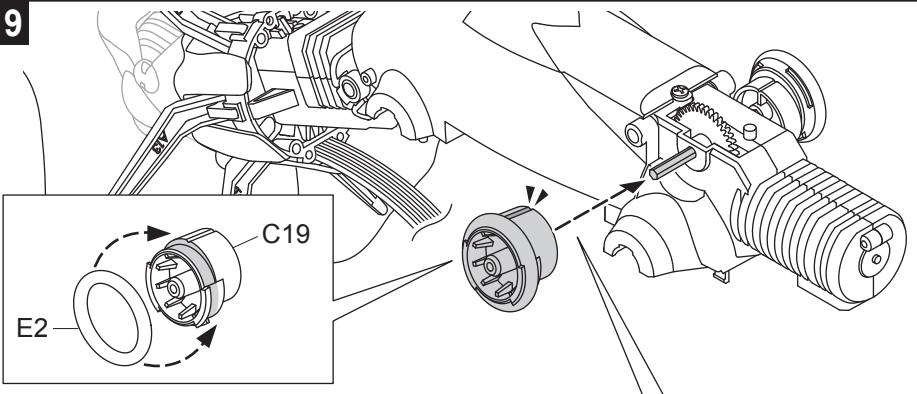




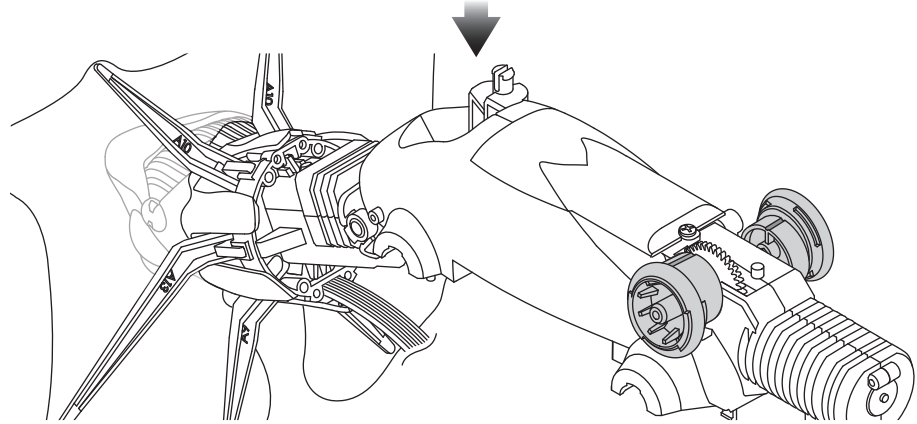
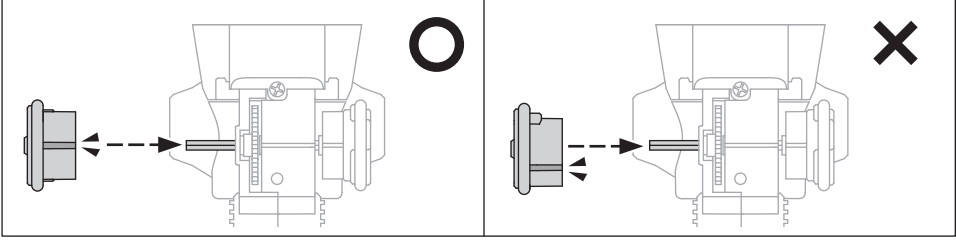
Top View



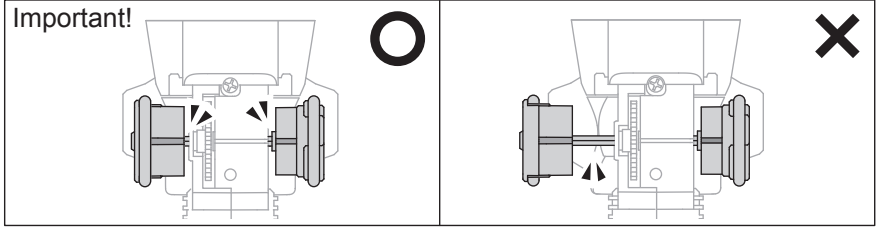
19

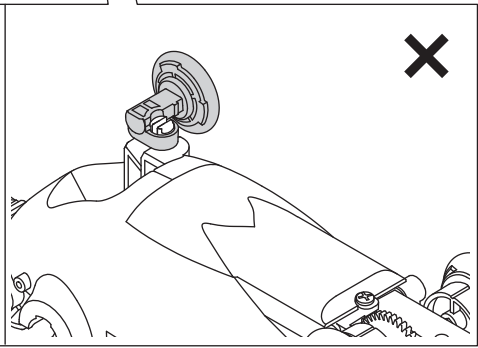
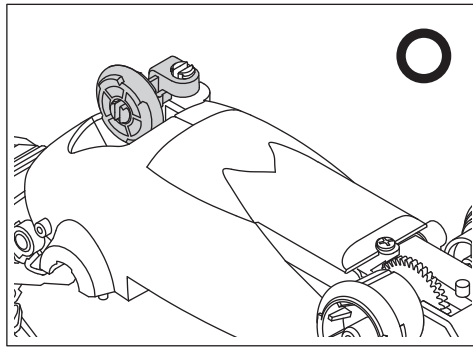
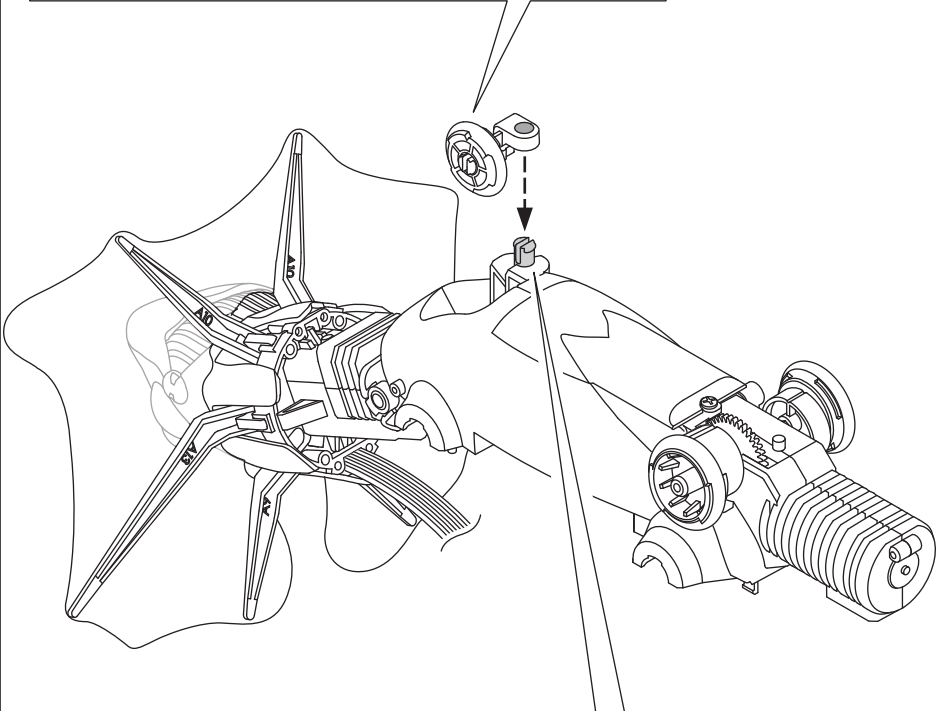
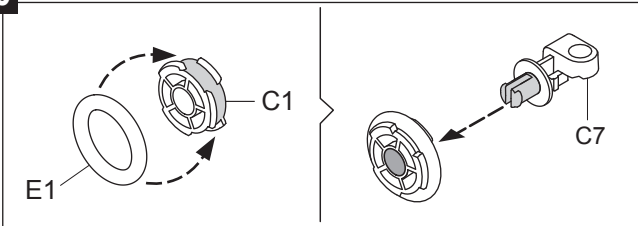


Top View

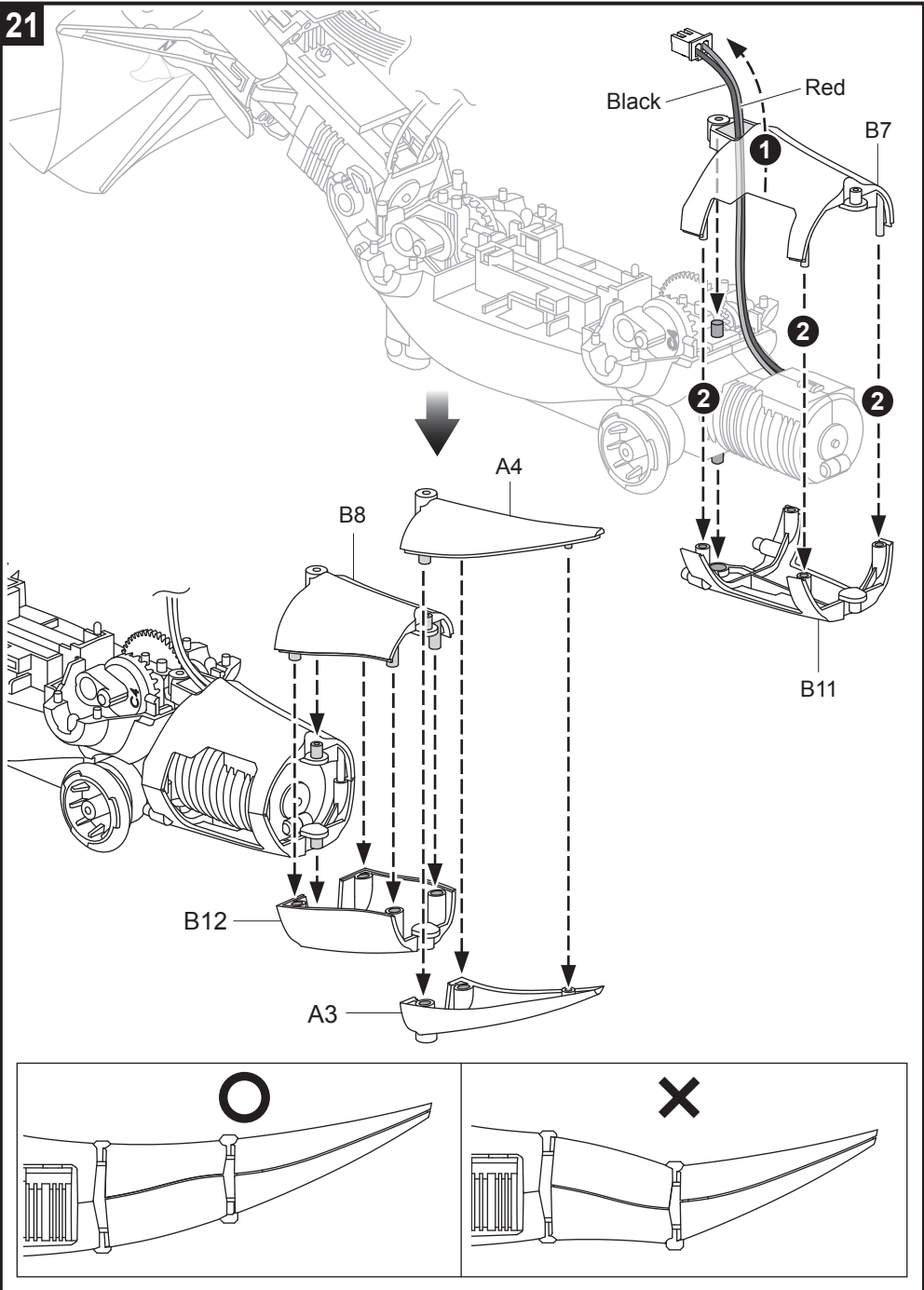


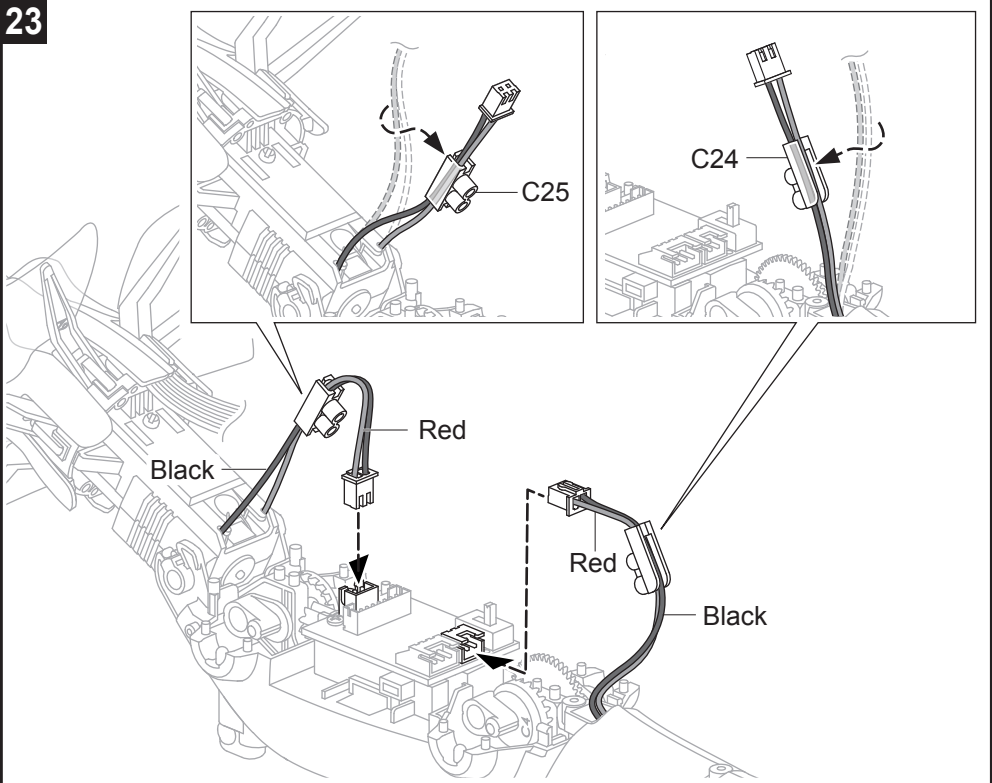
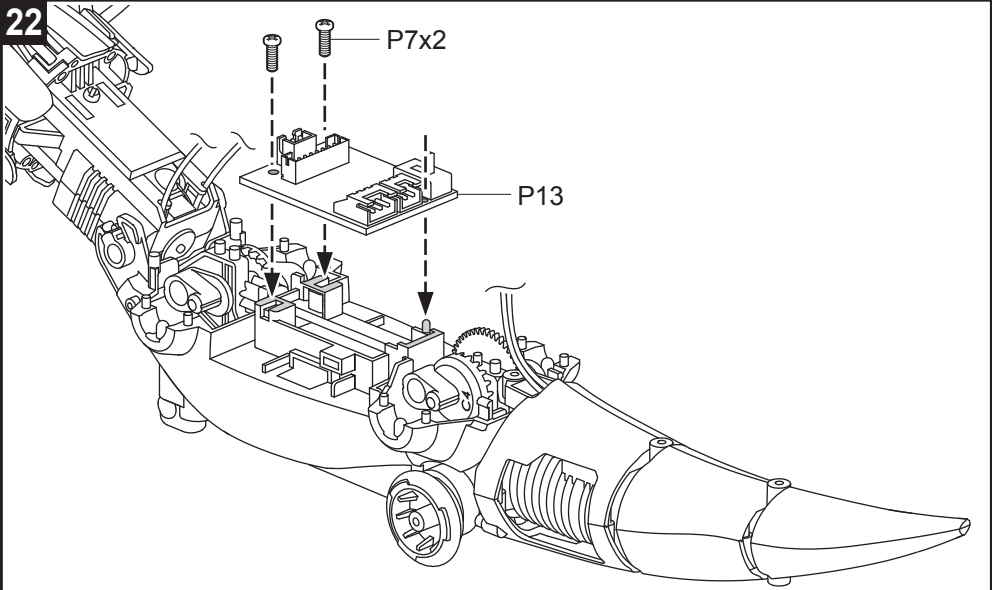
Note: Make sure that the wheels are not too tight or too loose.



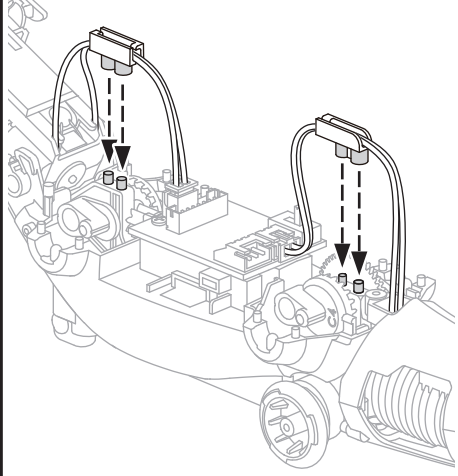


21

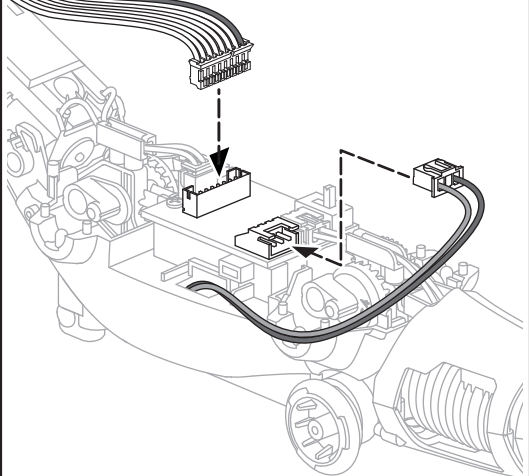




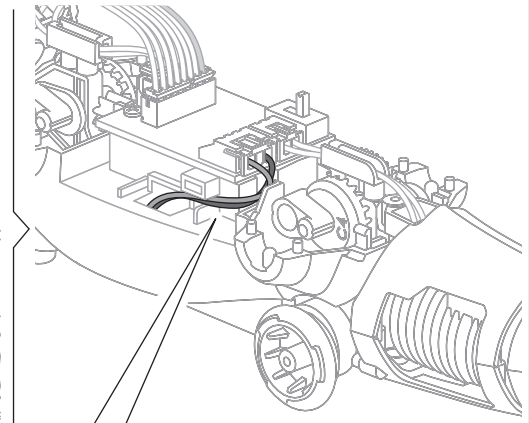
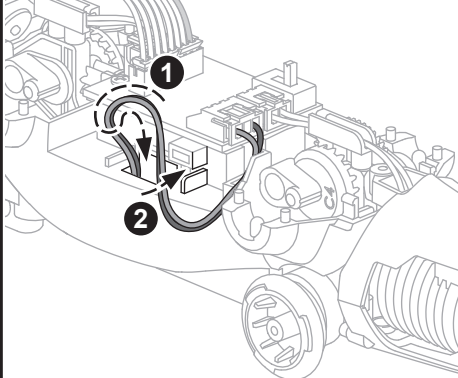
24



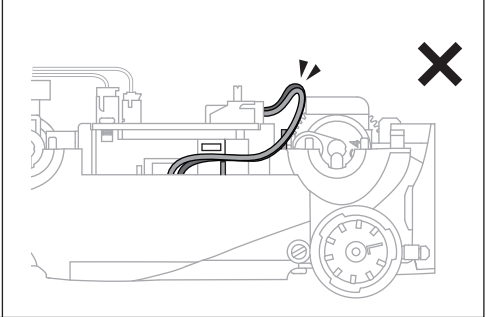
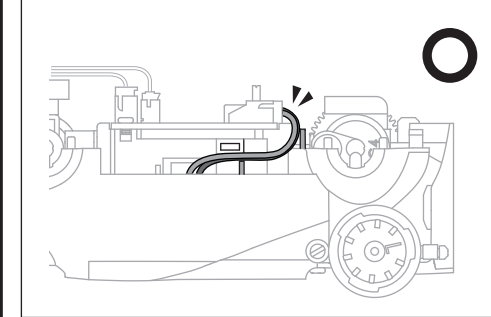
25



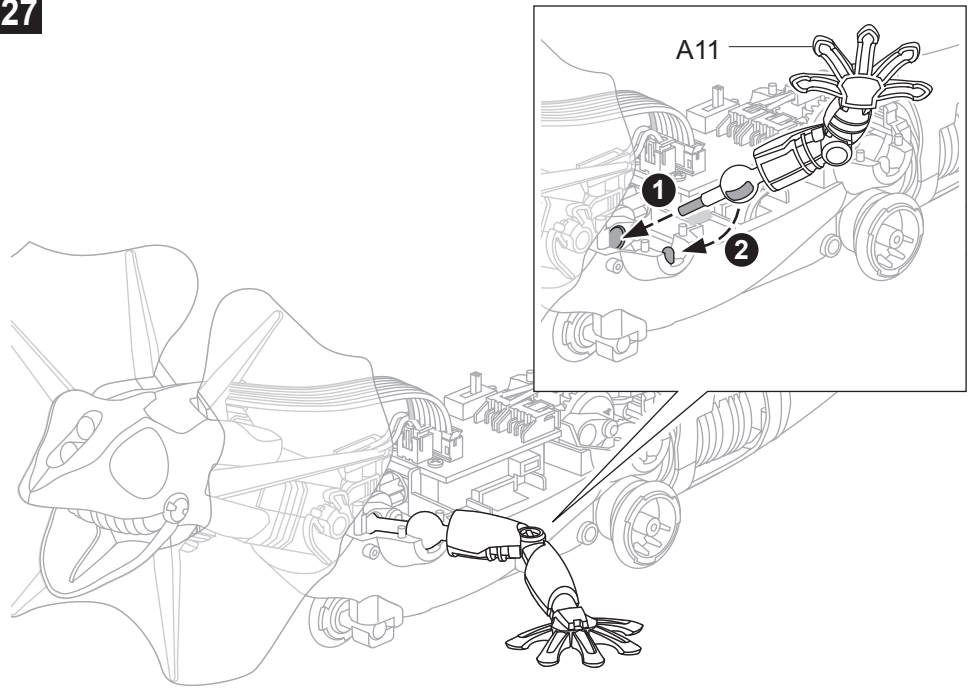
26



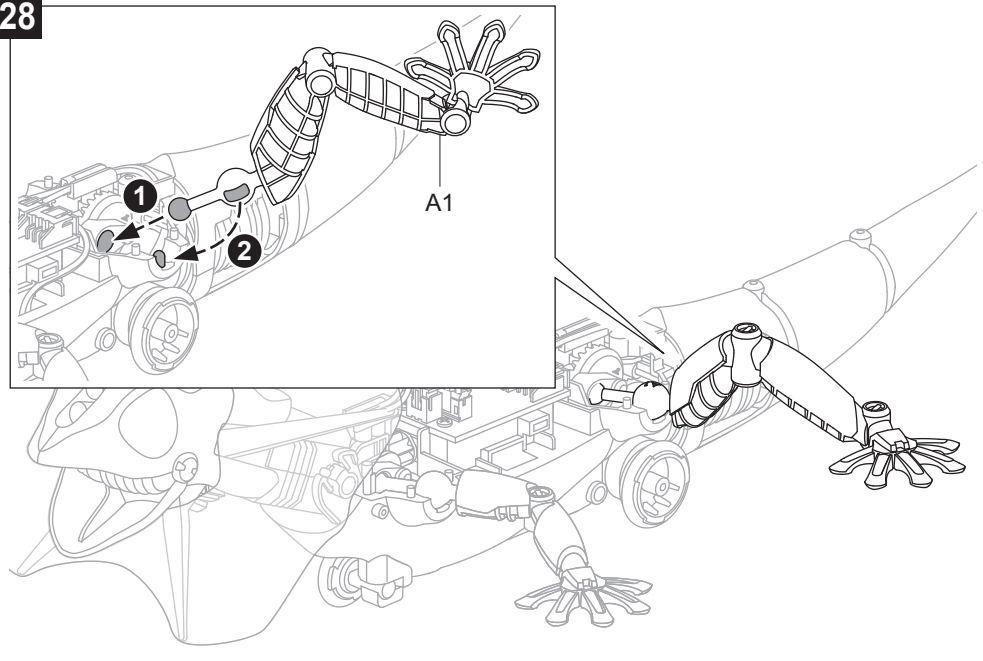
Side View



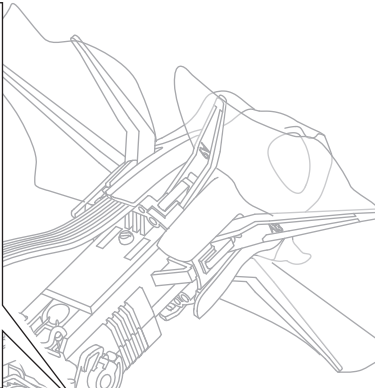
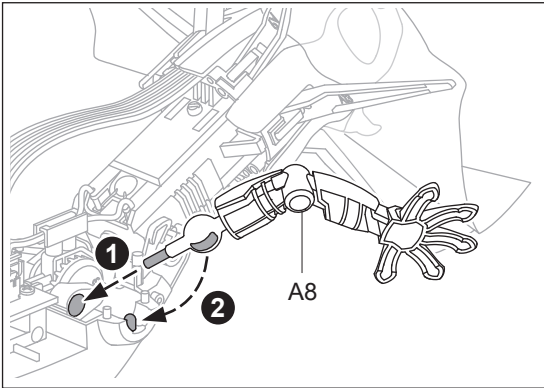
27



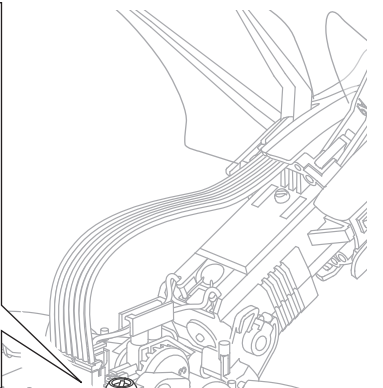
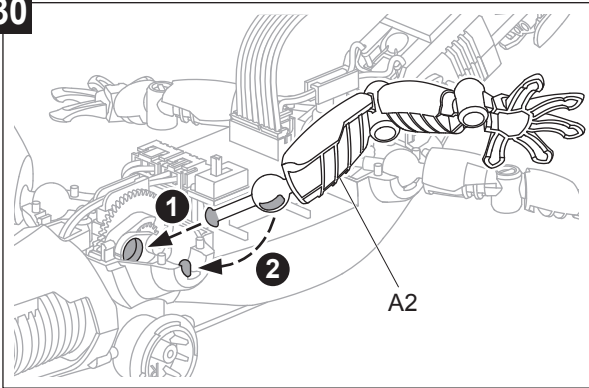
28



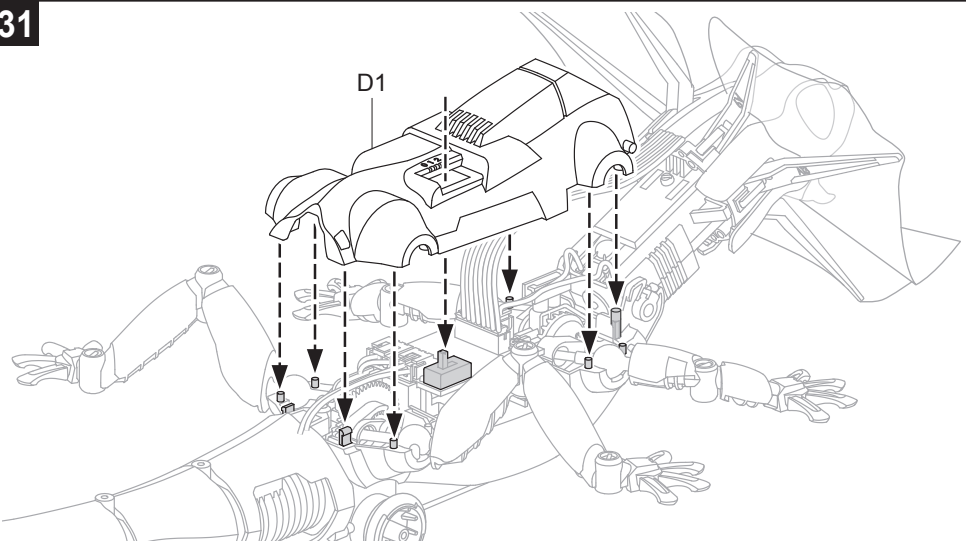
29



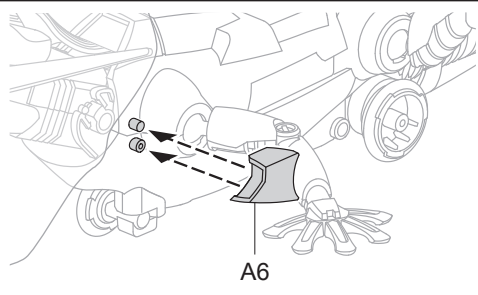
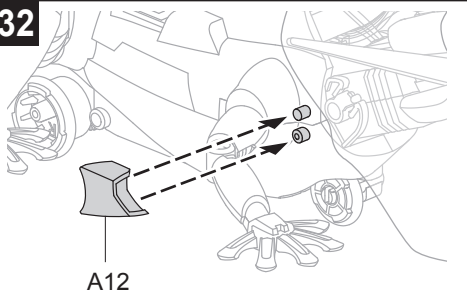
30



31

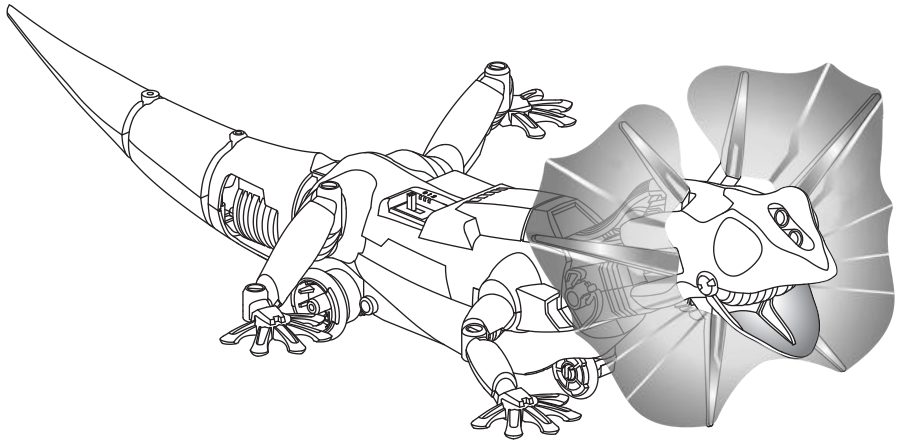


32

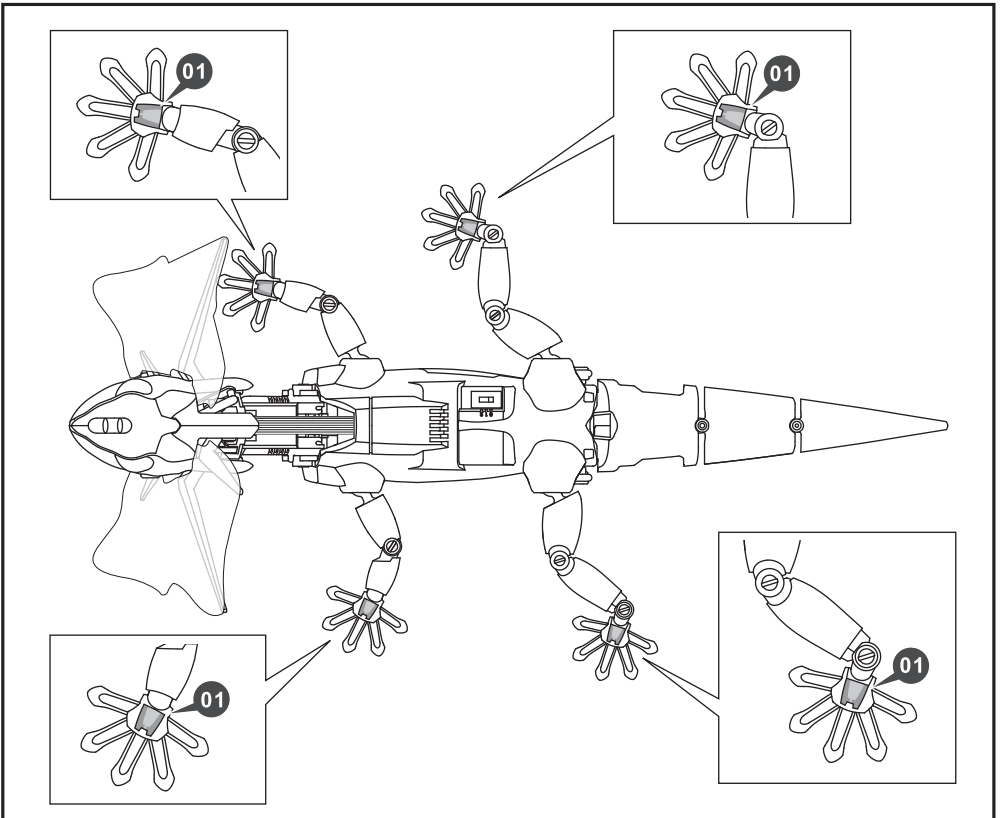
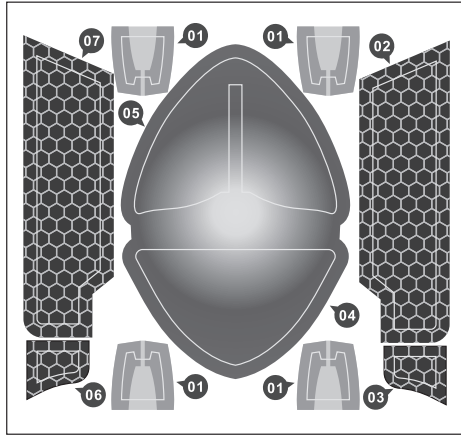


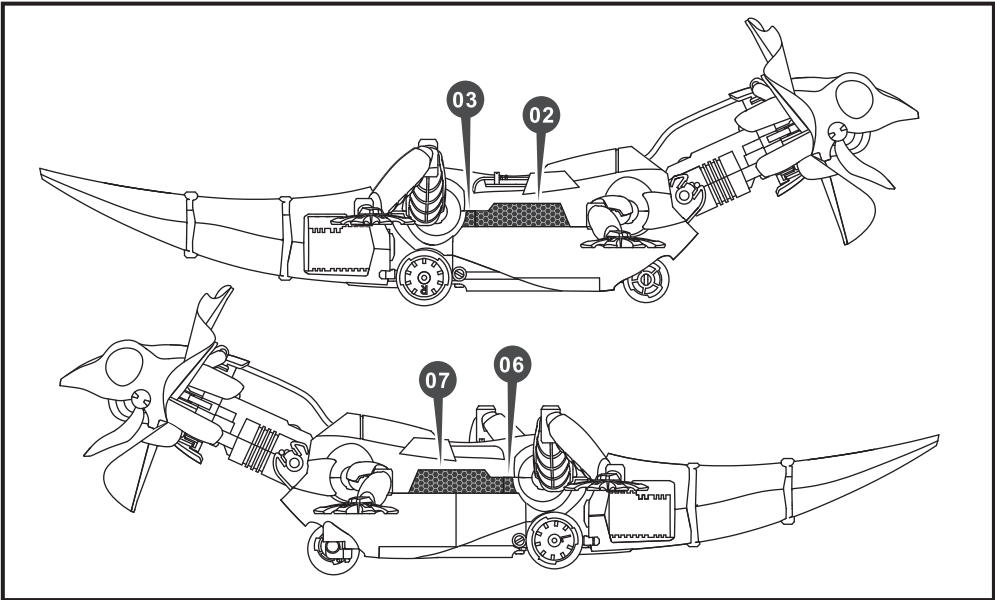
33

Finished



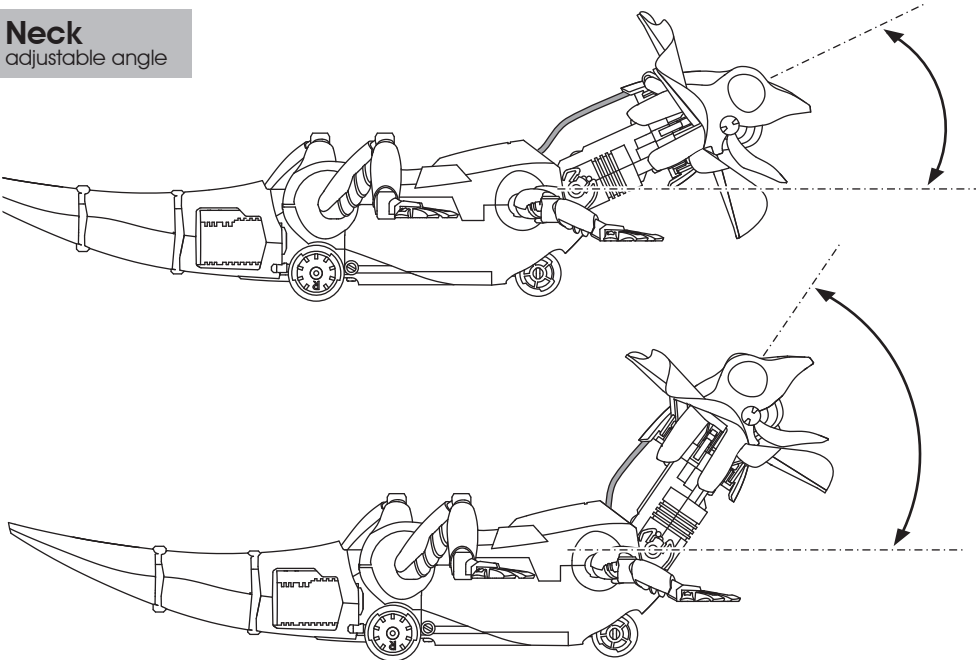
Stickers





How To Play

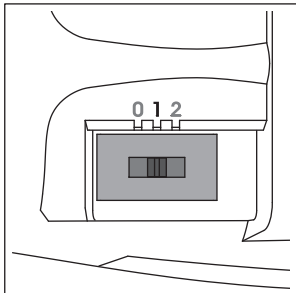
Neck
adjustable angle



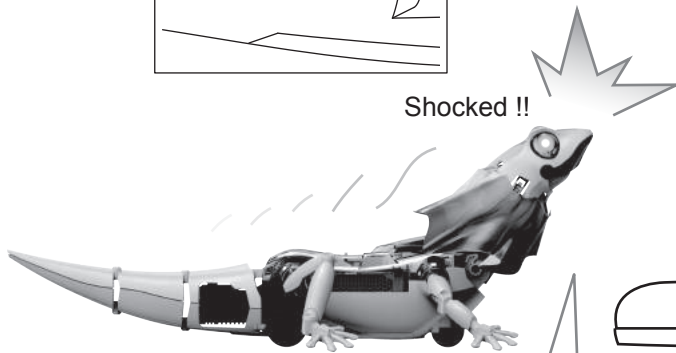
Funway

1

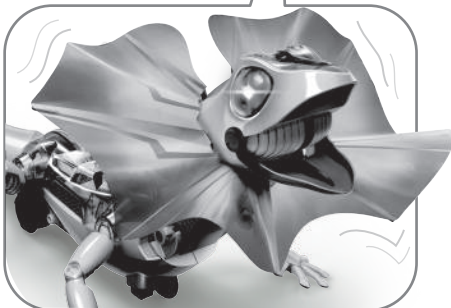
Escape mode



Shocked !!



Bluffing !

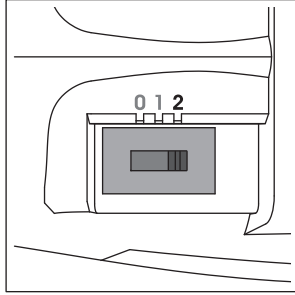


escape~

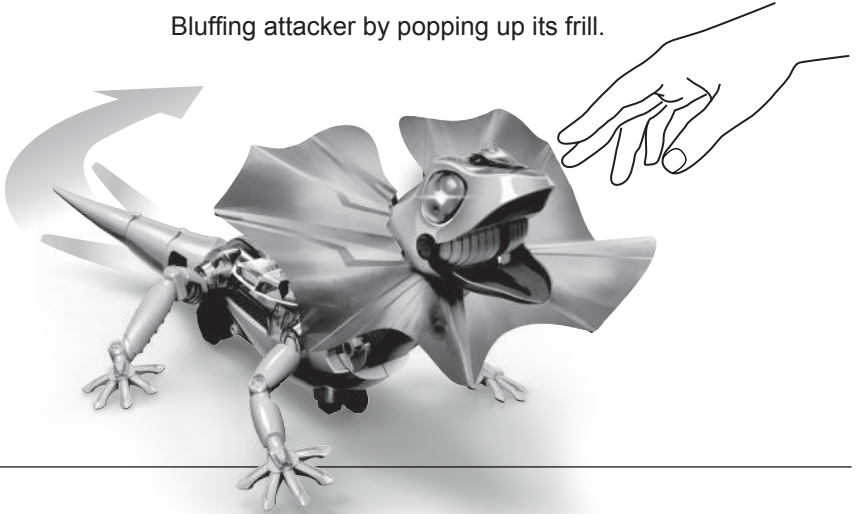


Funway **2**

Follow-me
mode



Bluffing attacker by popping up its frill.

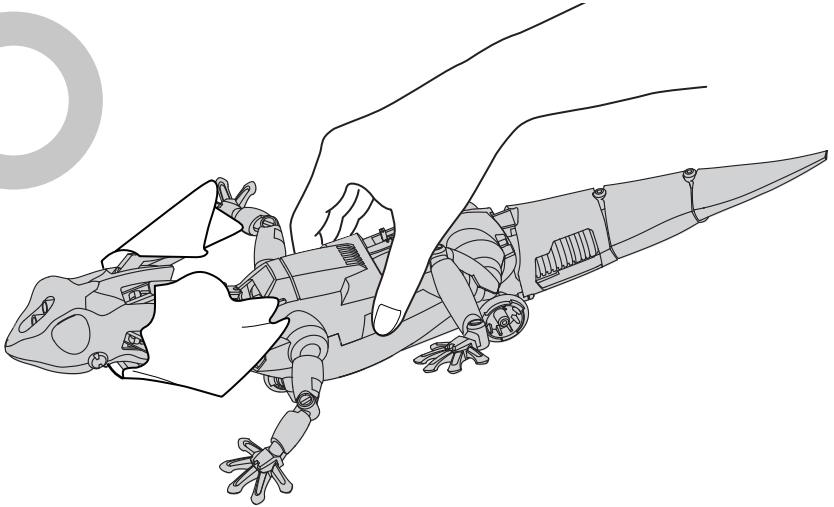


Follow me like a pet.

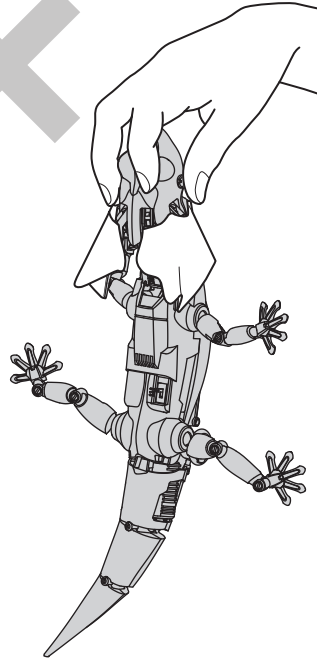
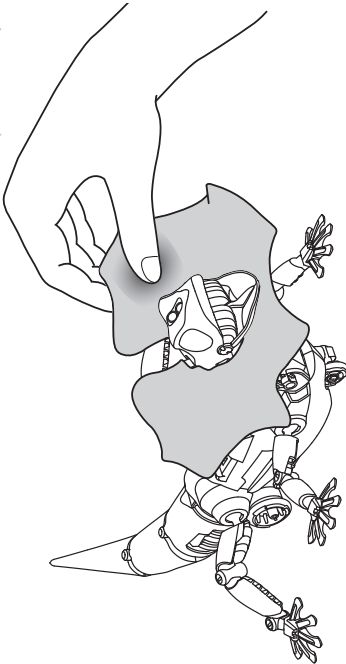


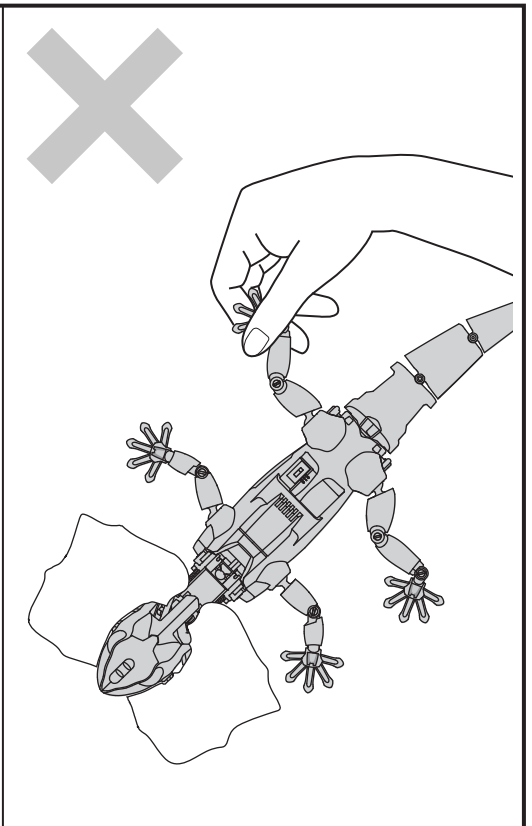
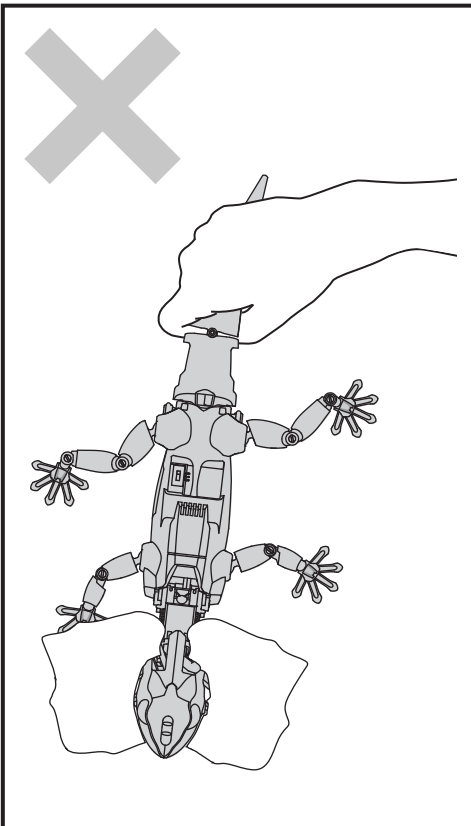


Warning



Be gentle to hold your Lizard Robot, any improper manners (as below figs) might cause its malfunction.



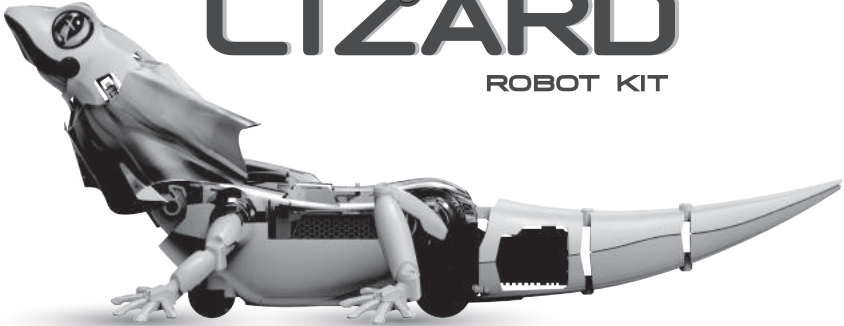


Trouble Shooting

- 1.Ensure all wirings are correct. (please refer to page 26,27)
- 2.If the lizard robot does not work, please check if batteries are placed in correct polarity. (please refer to page 21) Also make sure the connector of battery compartment plug to PC board no problem. (please refer to page 27)
- 3.Do not play the Lizard robot under direct sunlight or halogen lamp, it may cause the robot to go wrong direction.
- 4.If the lizard robot goes unsmoothly:
 - 4-1. Pls check if front wheels are stuck by objects/or dust.
 - 4-2. Back to page 28 , and check if the ball-joints (A11/A1/A8/A2) of the front /rear legs (on steps 27~30) are stuck by objects/or dust.
 - 4-3. Back to page 15, make sure C4/C22 (on step 2) are installed tightly.
 - 4-4. Back to page 18, make sure C3/C21 (on step 8) are installed tightly.

FRILLED LIZARD

ROBOT KIT



- Removal and replacement of batteries should be carried out by adult or under adult supervision.
- Avoid short circuiting the contacts in the battery compartment or the battery terminals.
- Remove exhausted batteries from the product to avoid leakage.
- Do not mix used batteries and new batteries or batteries of different types.
- Do not mix alkaline, standard (carbon-zinc) , or rechargeable (nickel-cadmium) batteries.
- Batteries are to be inserted with the correct polarity.
- Do not attempt to recharge non-rechargeable batteries.
- Rechargeable batteries are only to be charged under adult supervision.
- Rechargeable batteries are to be removed from the toy before being charged.

