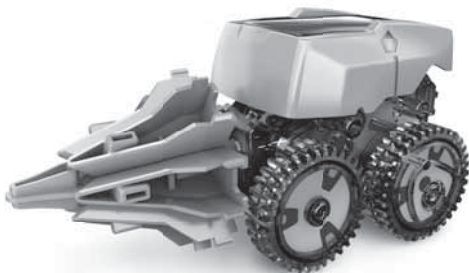
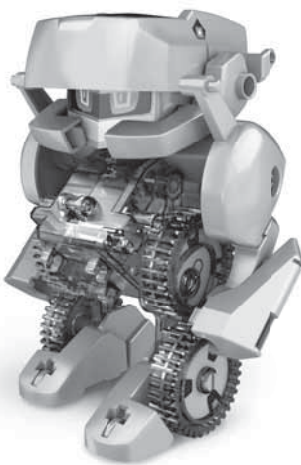
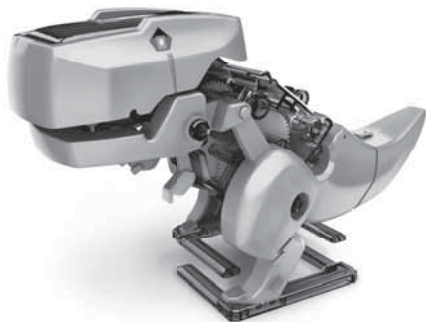


4 in 1

TRANSFORMING
SOLAR ROBOT



Assembly & Instruction
Manual

CONTENTS

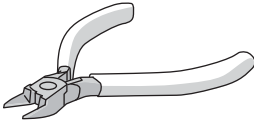
Product Introduction	P.1
Tool You May Need	P.1
Mechanical Parts List	P.1
Plastic Parts	P.2
Hints	P.2
Mechanical Assembly	
Solar Module	P.3
Gear Box	P.5
Drill Vehicle	P.10
T-Rex	P.14
Rhino Beetle	P.18
Robot	P.25
Decoration	P.32
It's Time To Have Some FUN !	P.33

Transforming Solar Robot

Product Introduction

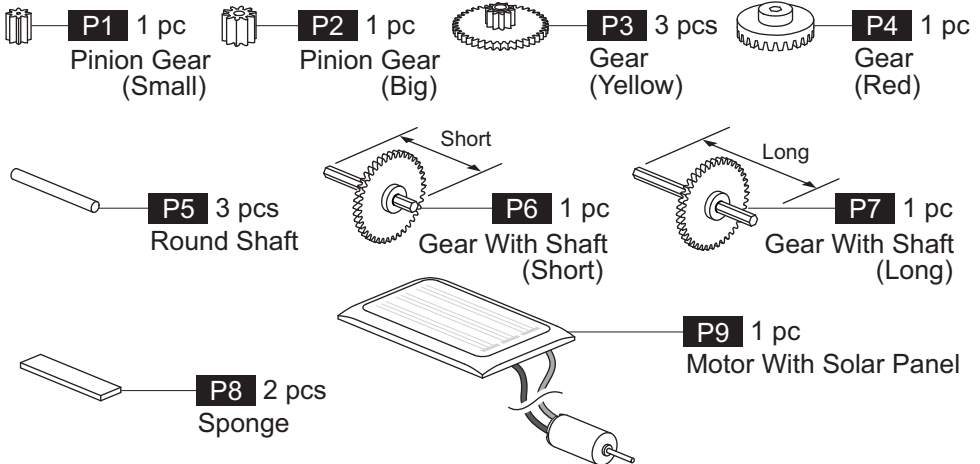
The transforming solar robot is completely solar-powered so you never need to buy batteries. Not only will it provide your child with a new understanding of solar power as a source of renewable energy, but will also get your kids outdoors for some wholesome fun in the sun. This kit gives your child the option to easily transform between one of four different modes: Robot– walking legs as well as moving wheels, Rhino Beetle – 6 walking legs as well as moving jaws, T-Rex - 2 walking legs and moving jaws, and Drill Vehicle – similar to a miner’s driller/drilling bit and moving wheels. If your children are glued to smart-phones, give them an opportunity to acquire solar power knowledge, learn about mechanical transmissions, and get them outside to play. Amazingly, you might find yourself engaged in conversation with your child, thanks to their newly acquired “expertise”!

Tool You May Need



Diagonal Cutter

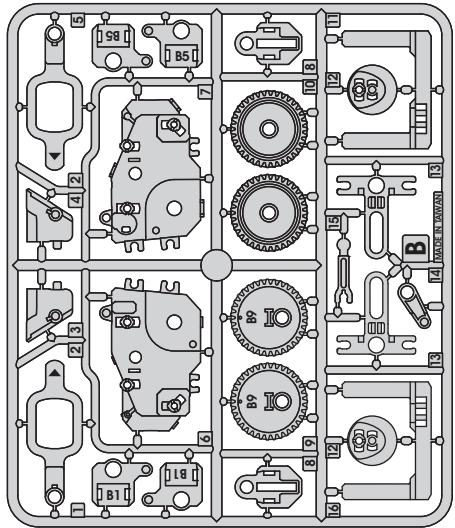
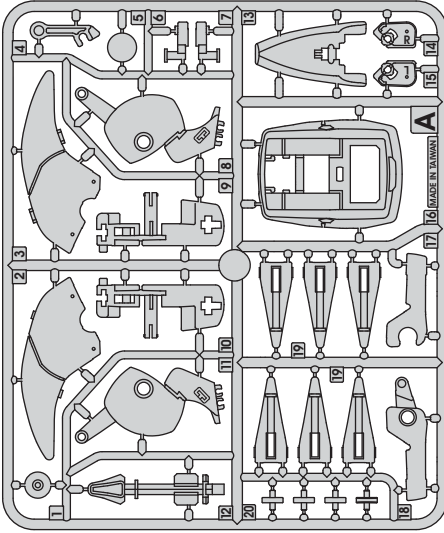
Mechanical Parts List



Don't connect the wires to the mains.
Product contains functional edges and sharp points.

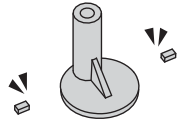
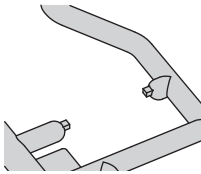
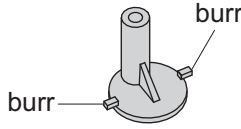
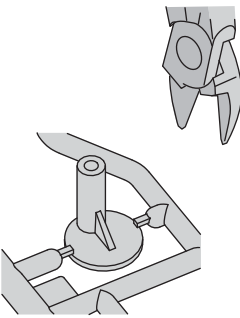
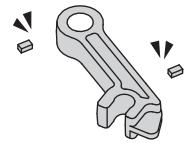
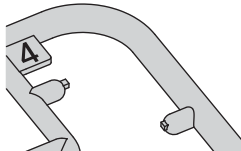
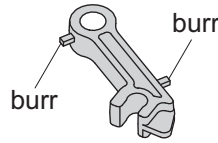
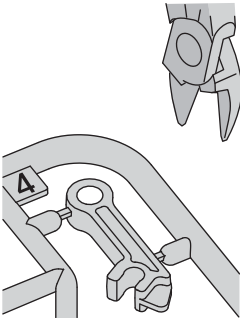
Plastic Parts

! Cut the plastic parts when they are required. Do not cut them in advance.

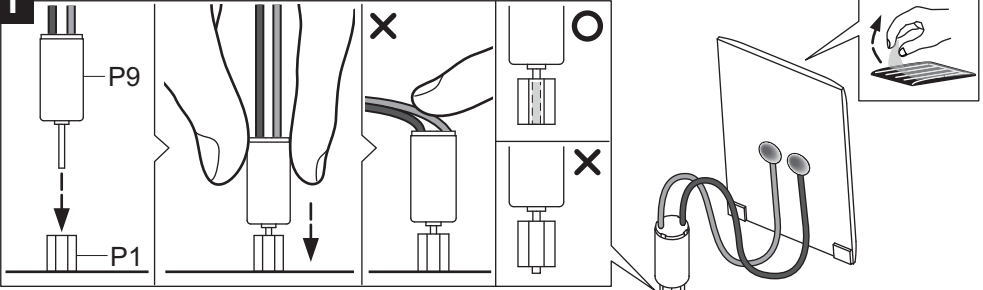


Hints

Cut off the burrs before assembly.

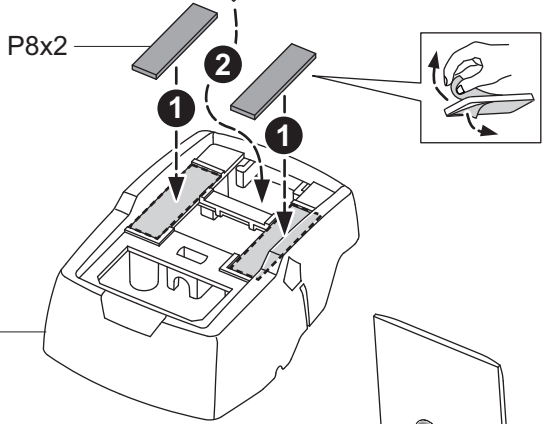


1

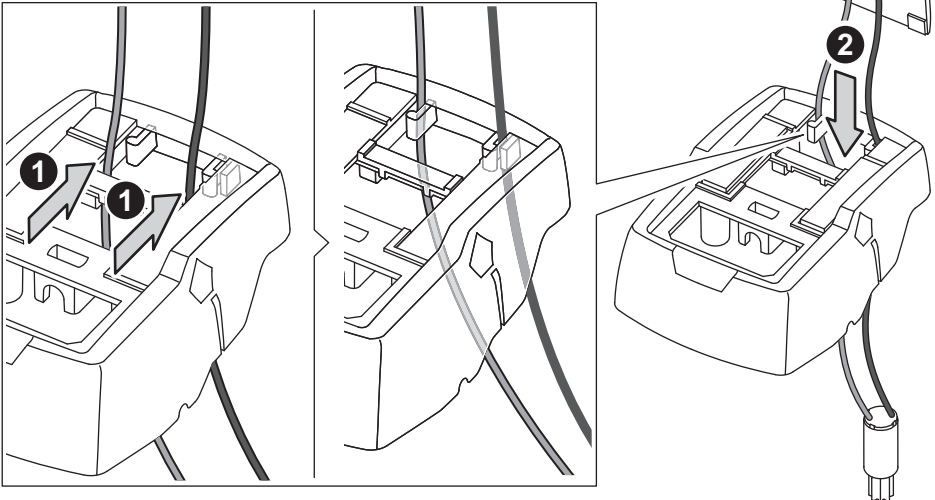


P8x2

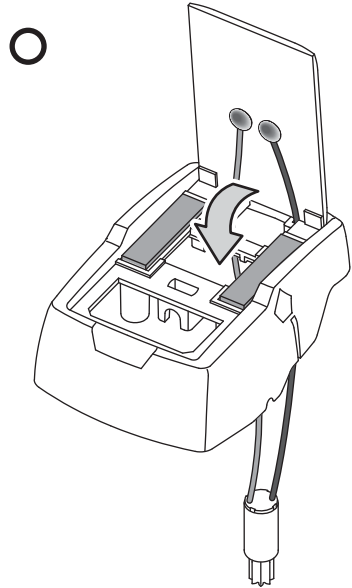
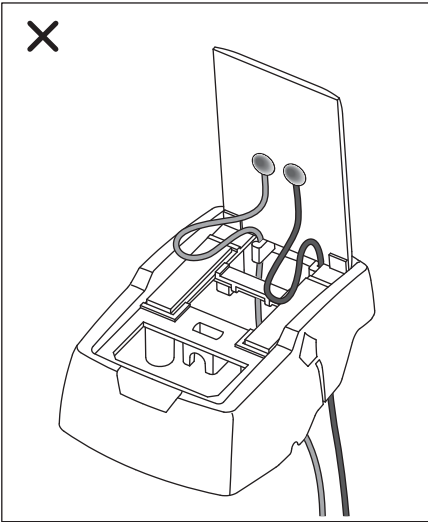
A16



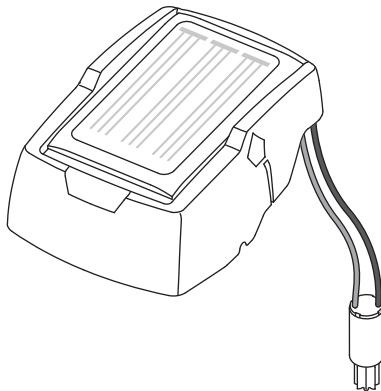
2



3

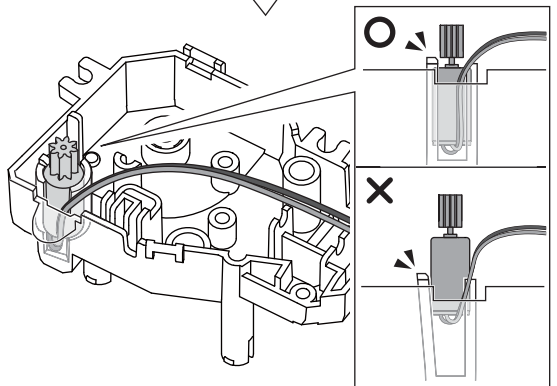
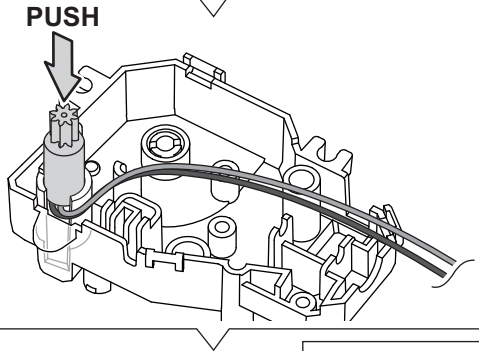
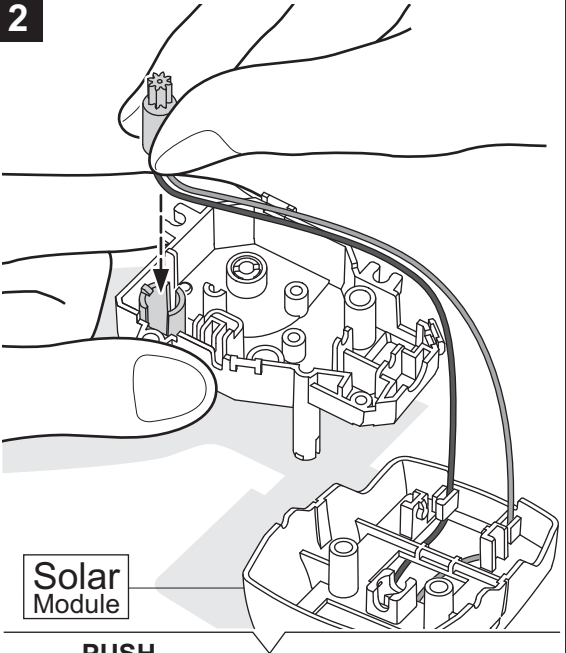
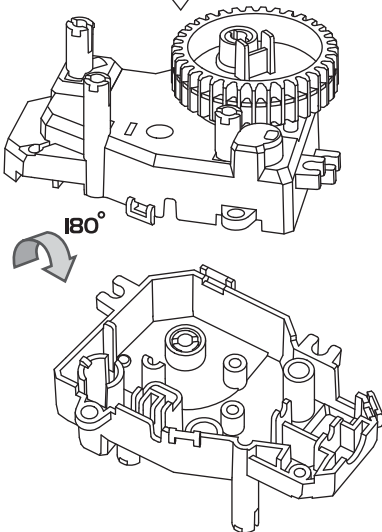
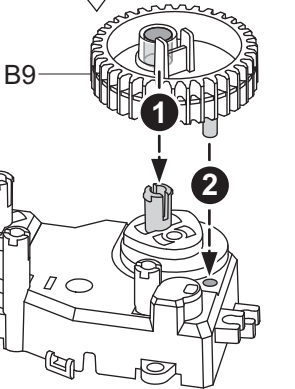
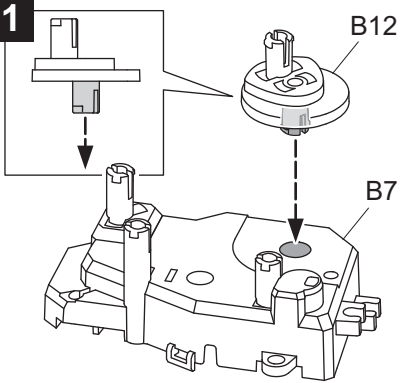


4 Completed

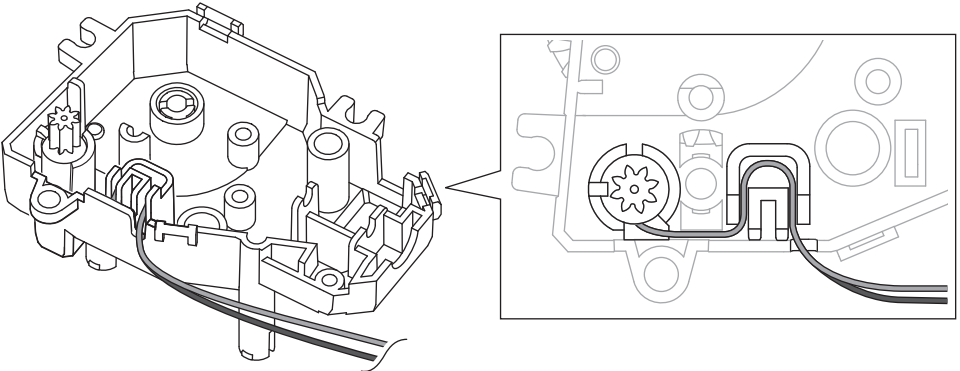
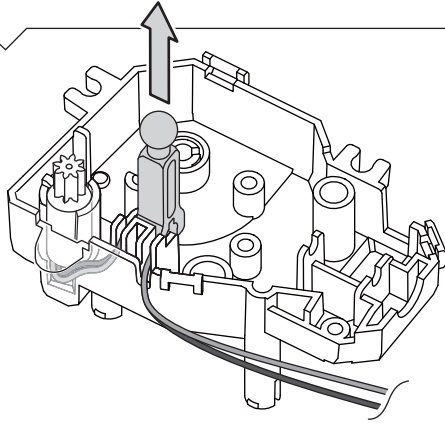
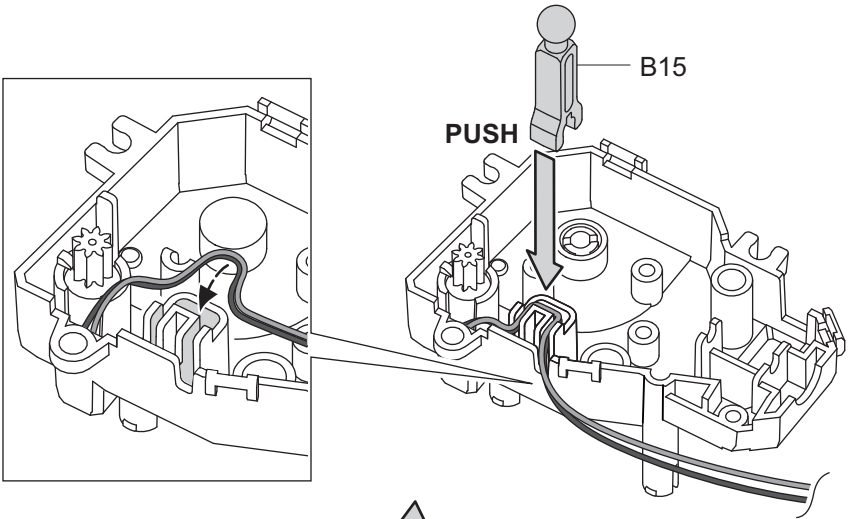


Gear Box

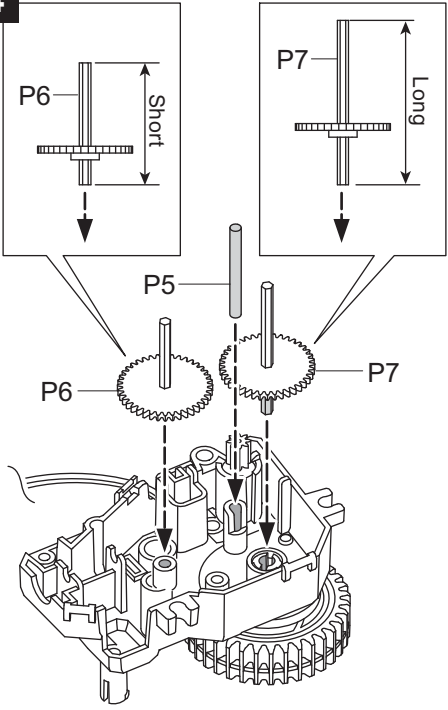
Assembly



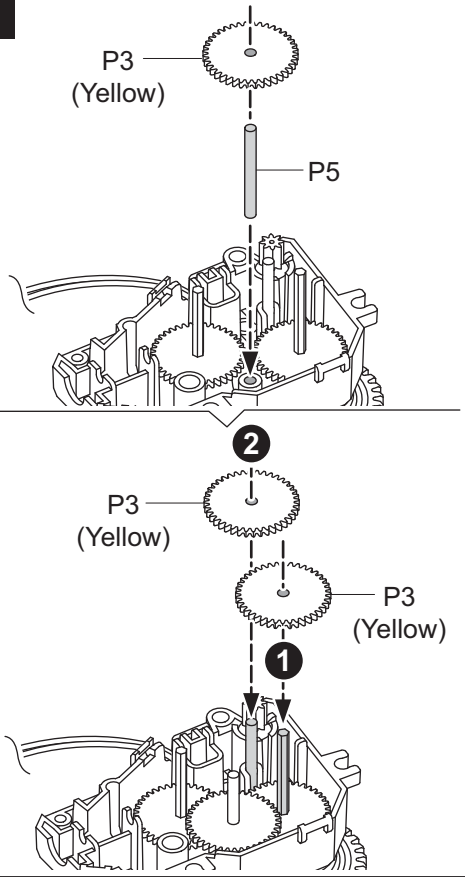
3 Use B15 to assist you in routing the wires as shown below.



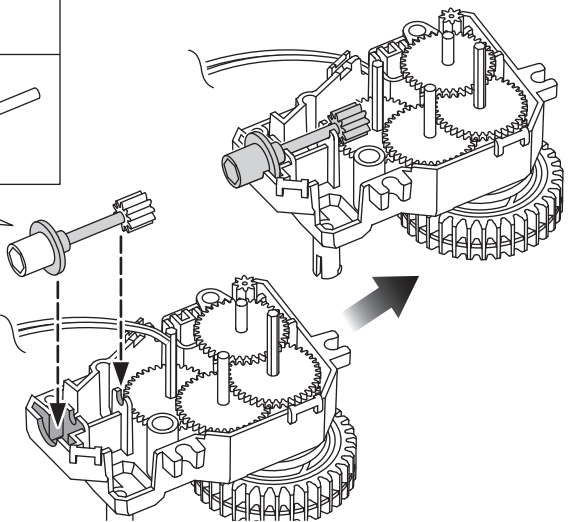
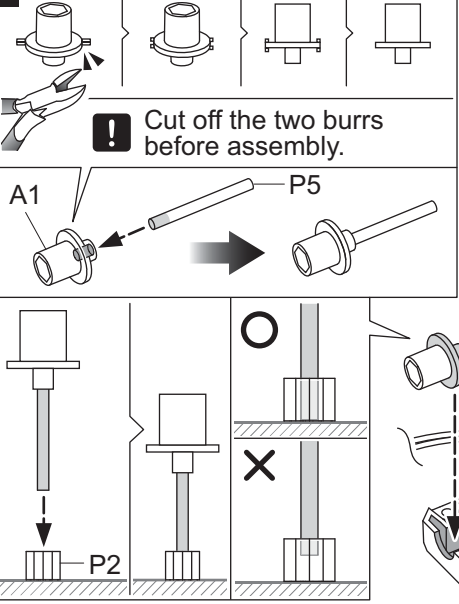
4



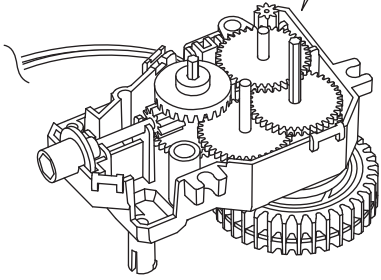
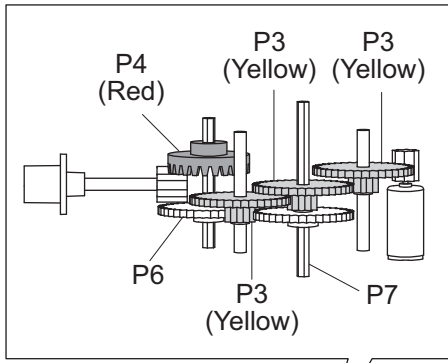
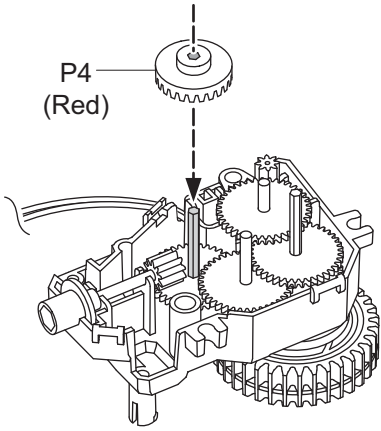
5



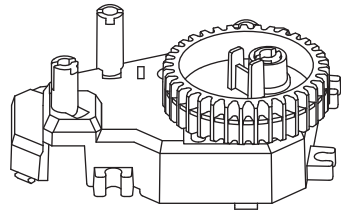
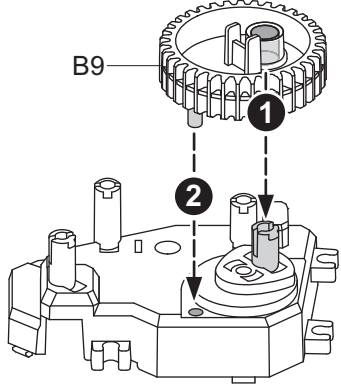
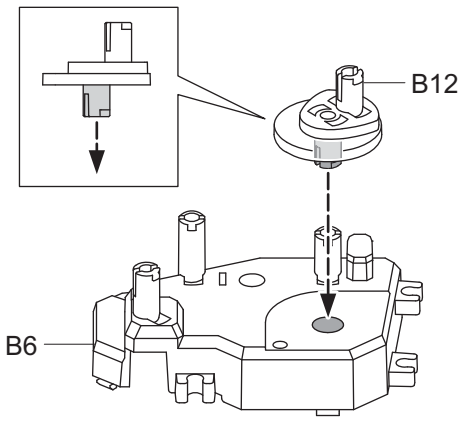
6



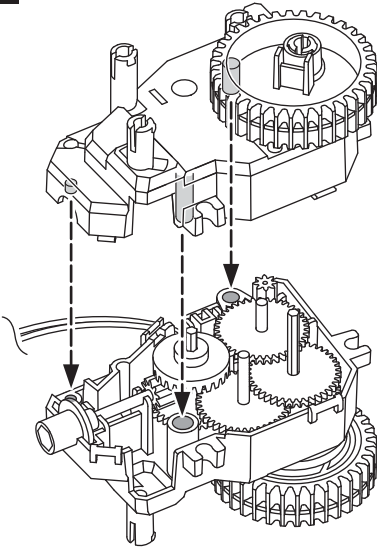
7



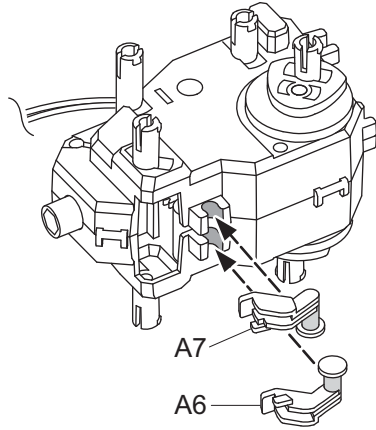
8



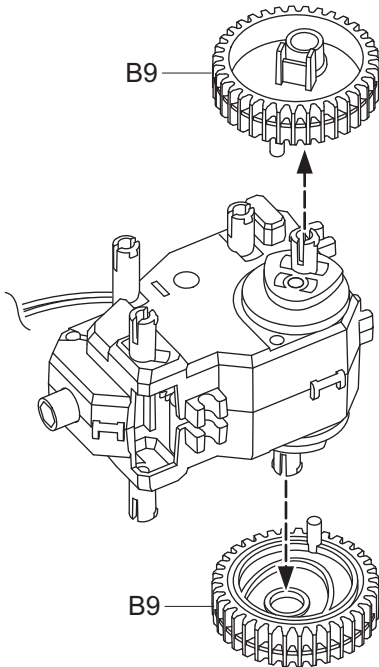
9



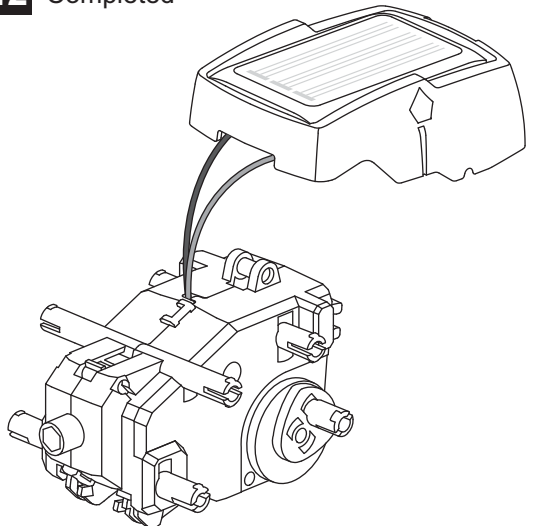
11

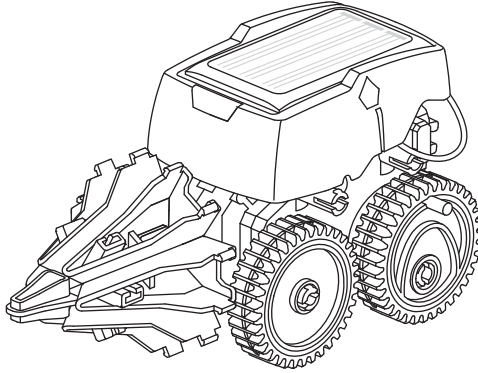


10 Disassemble B9

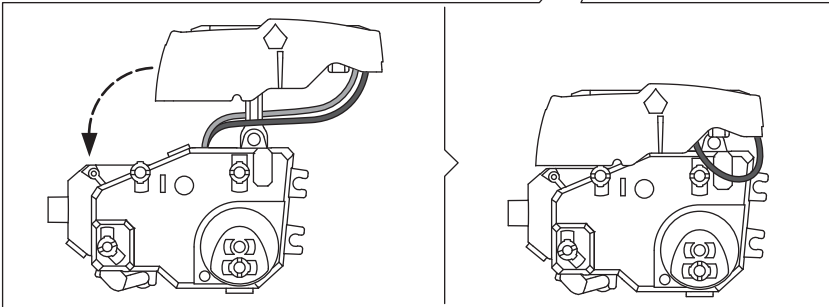
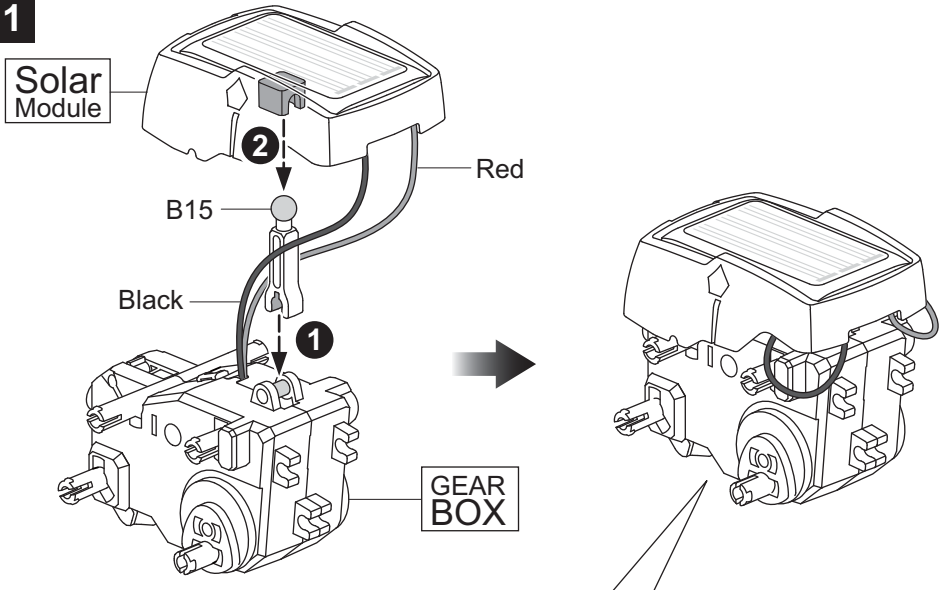


12 Completed

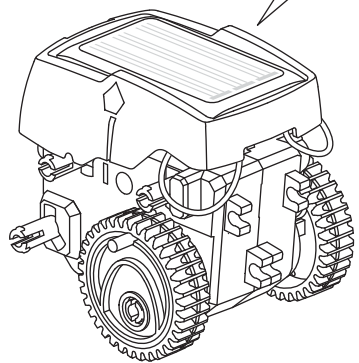
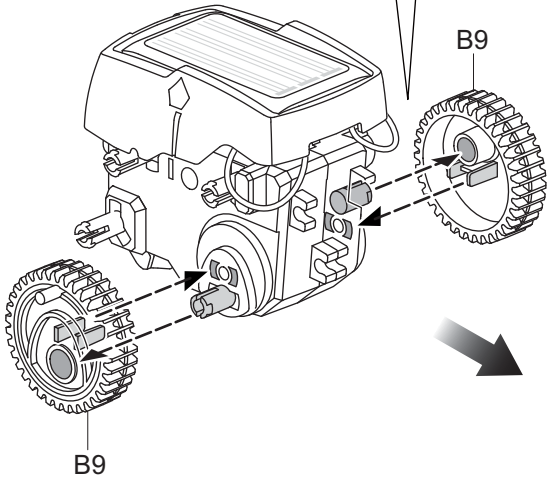
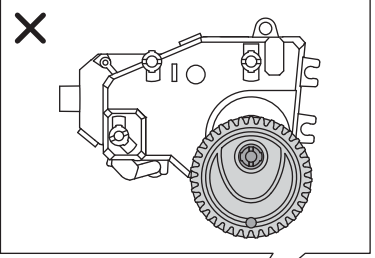
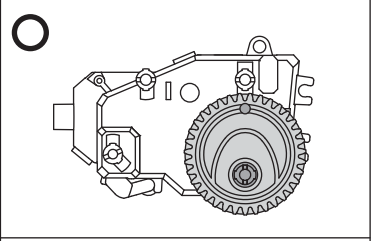
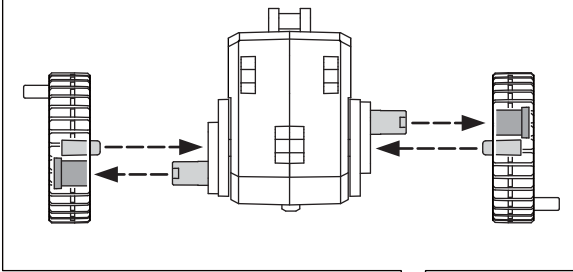




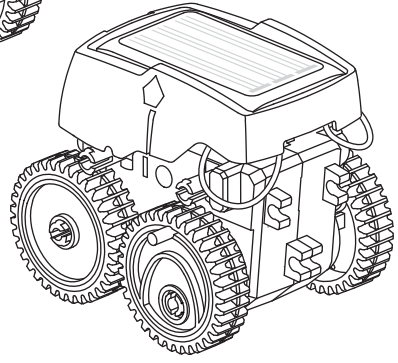
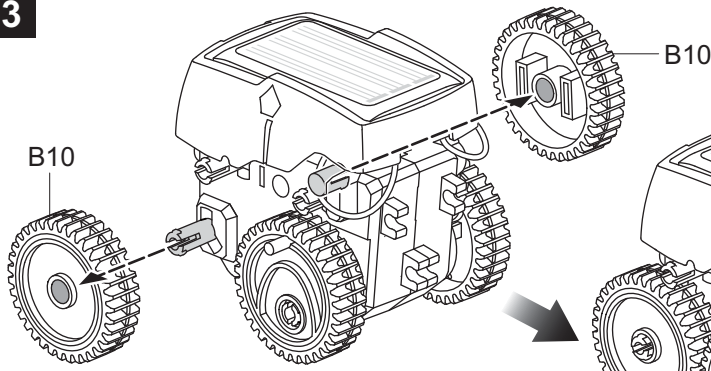
1



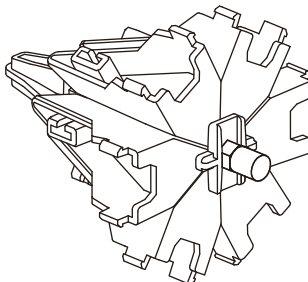
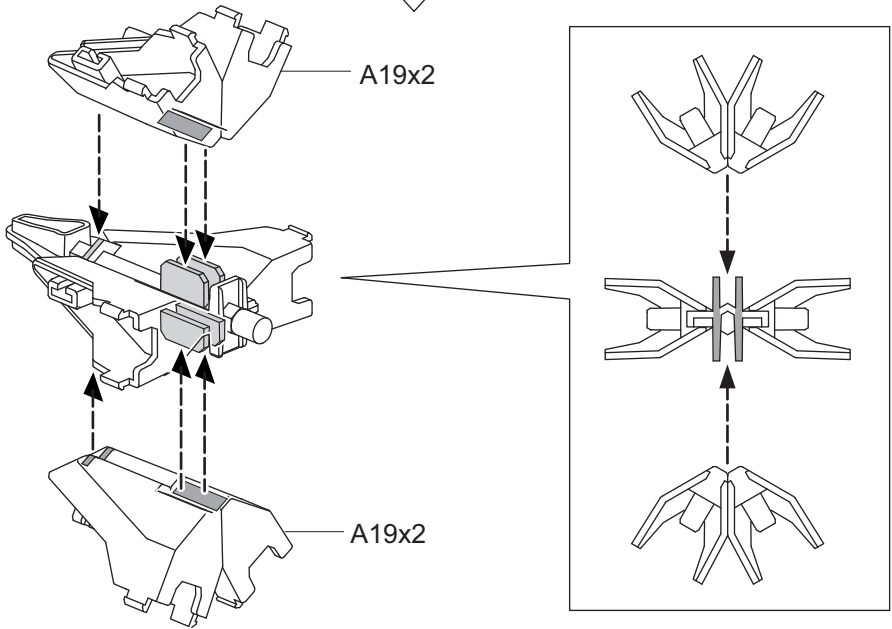
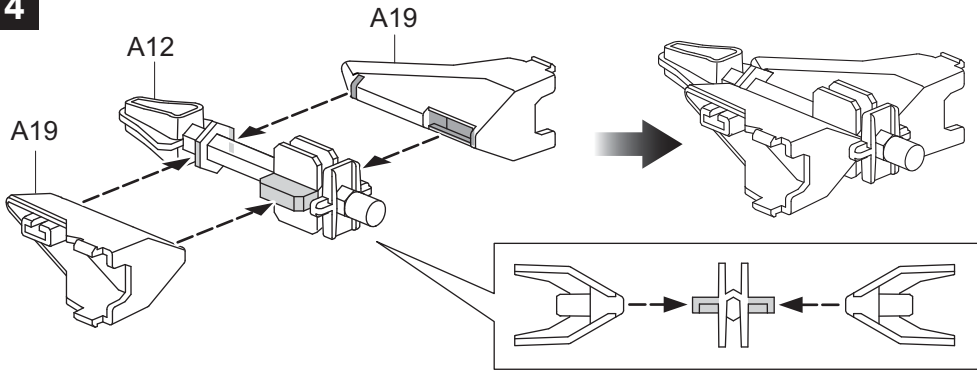
2



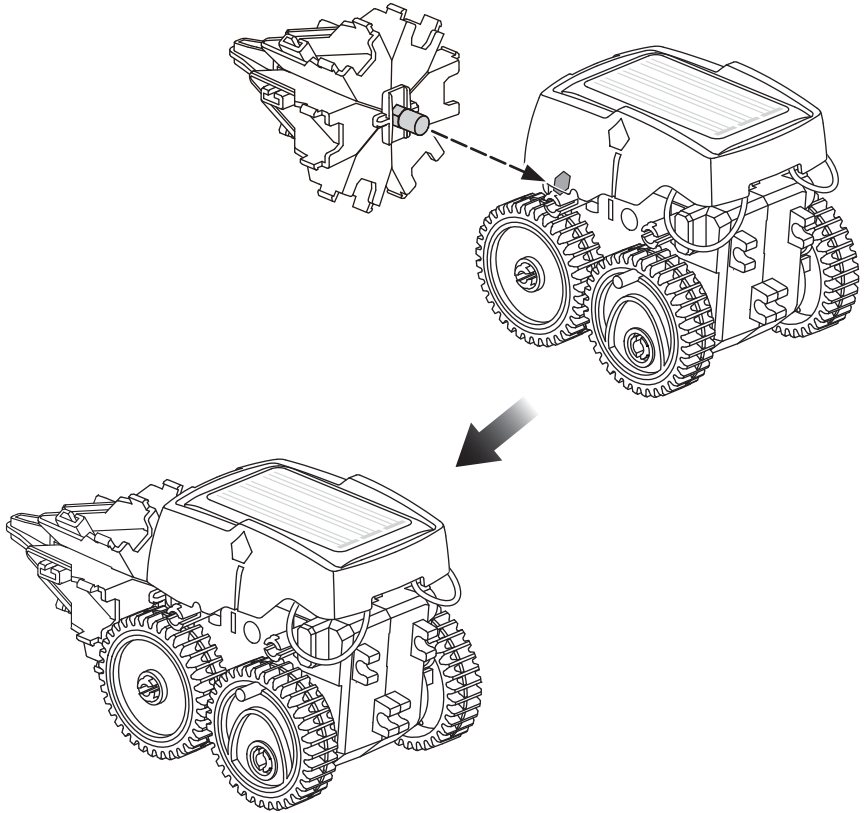
3



4

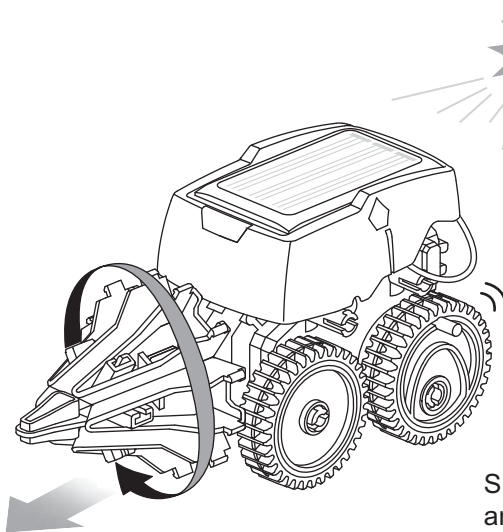


5



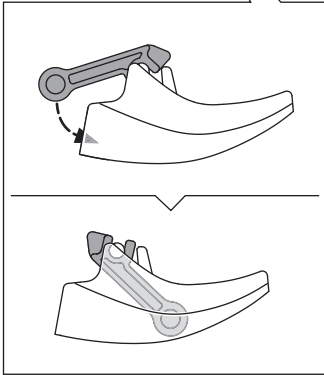
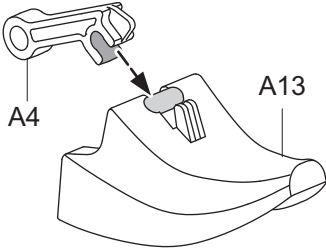
6

Running

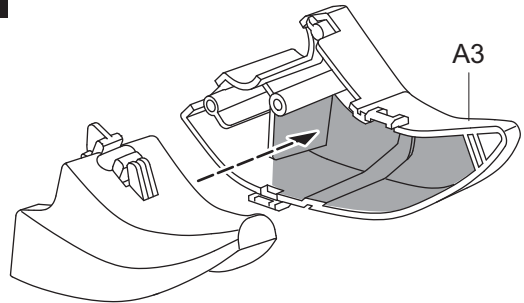
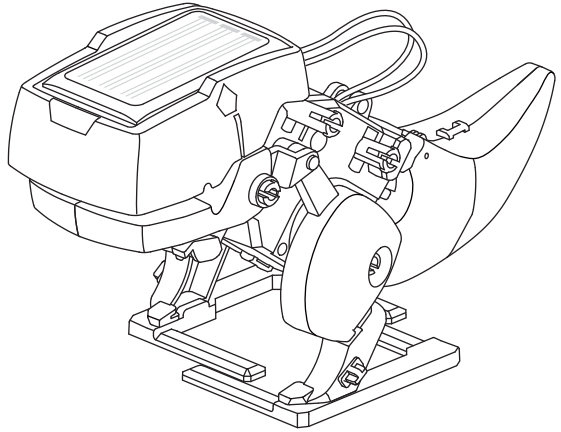


Sun powers drilling bit and moving wheels

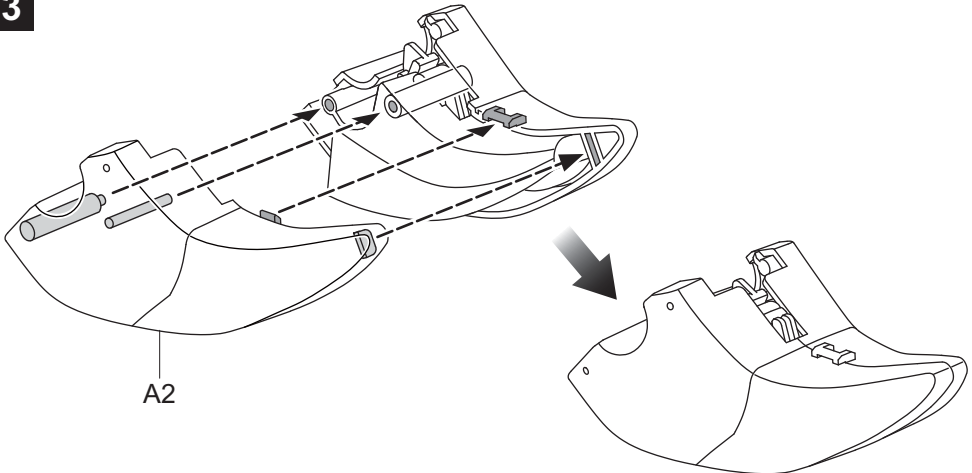
1



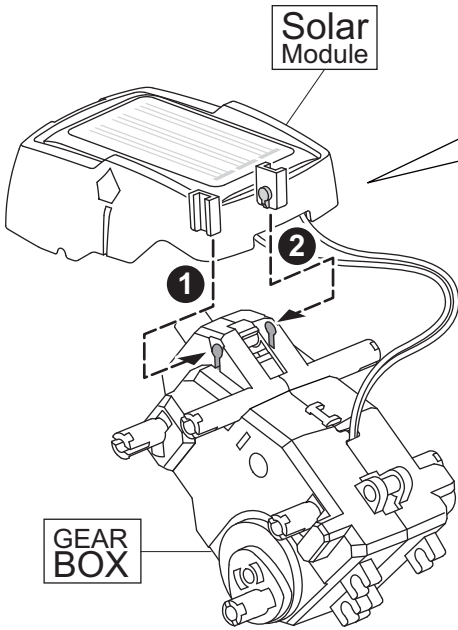
2



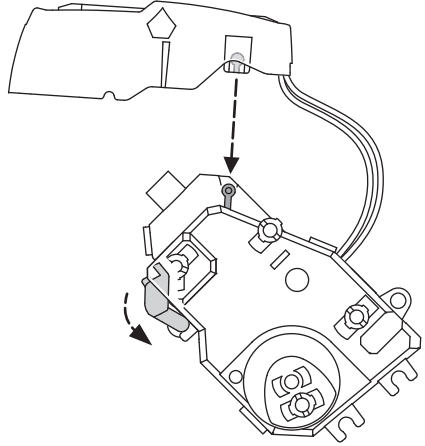
3



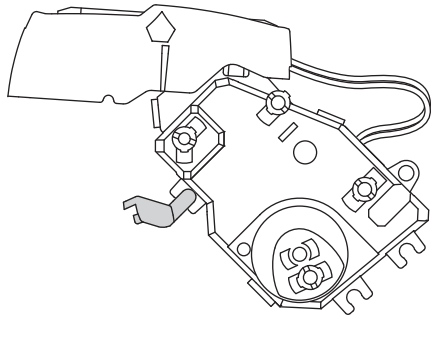
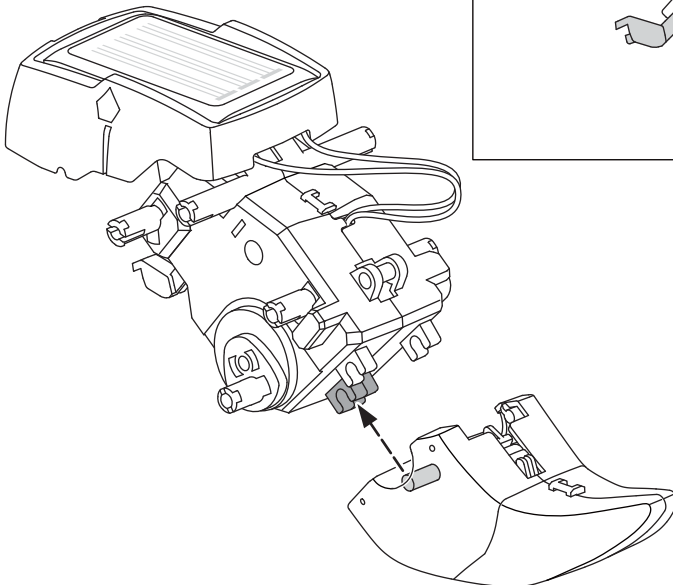
4



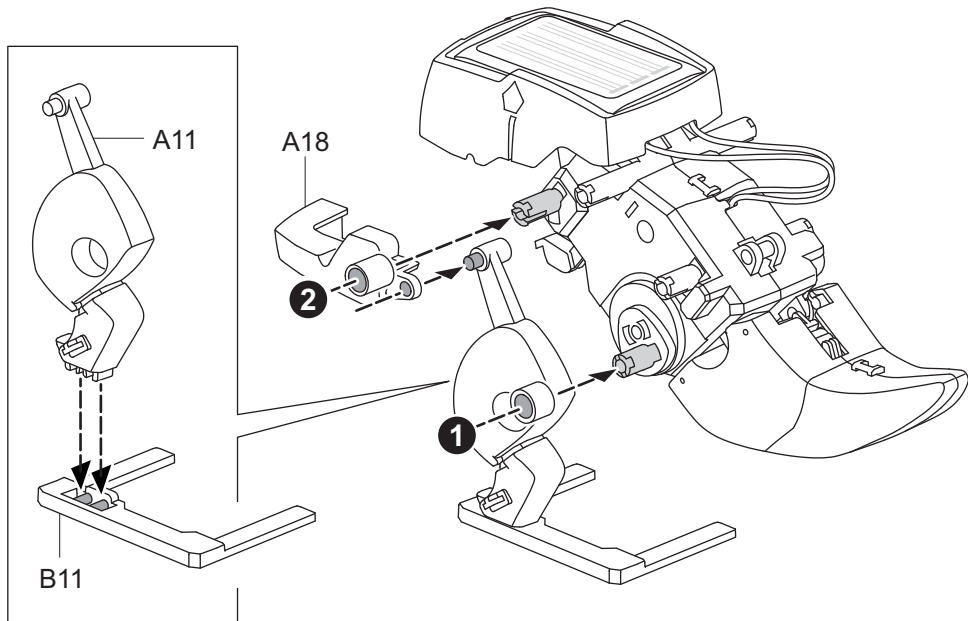
Side View



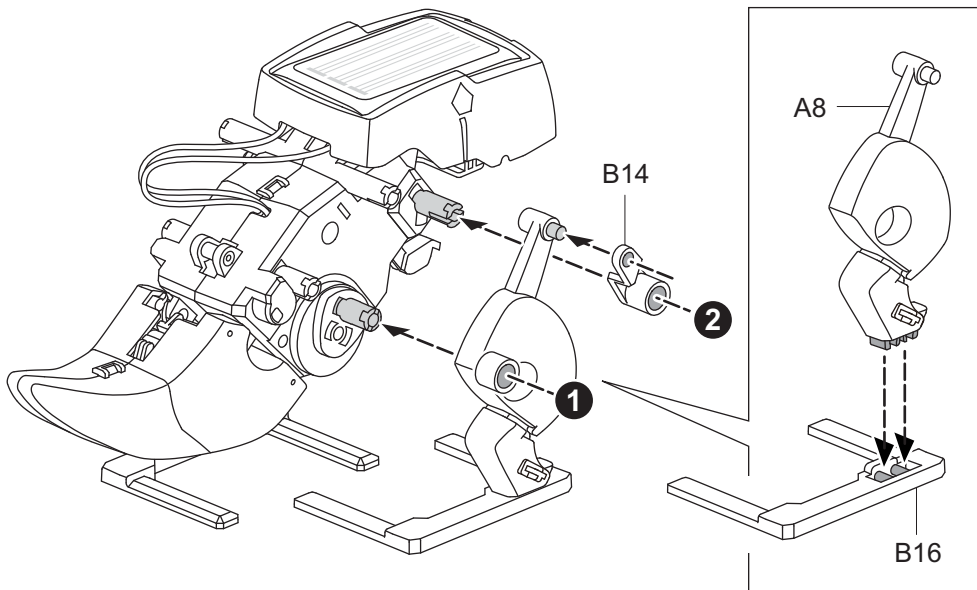
5



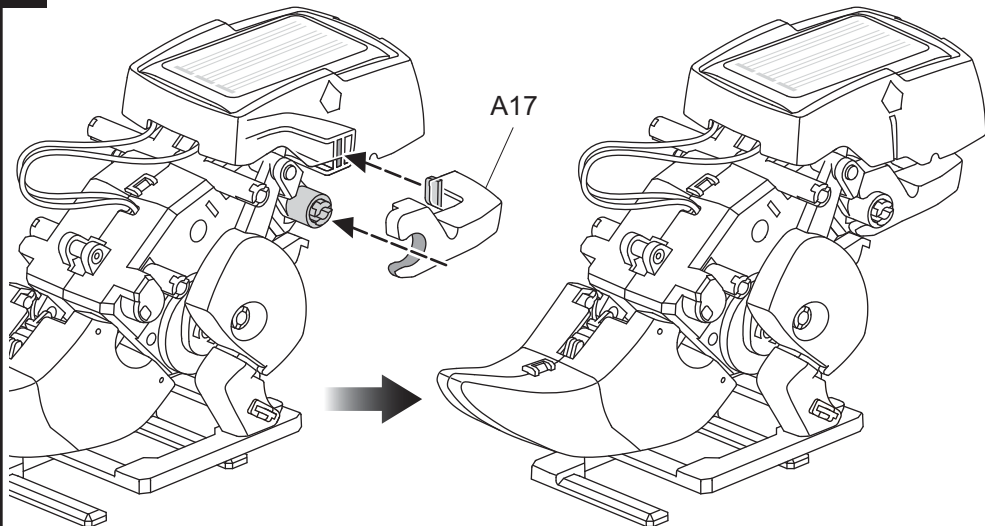
6



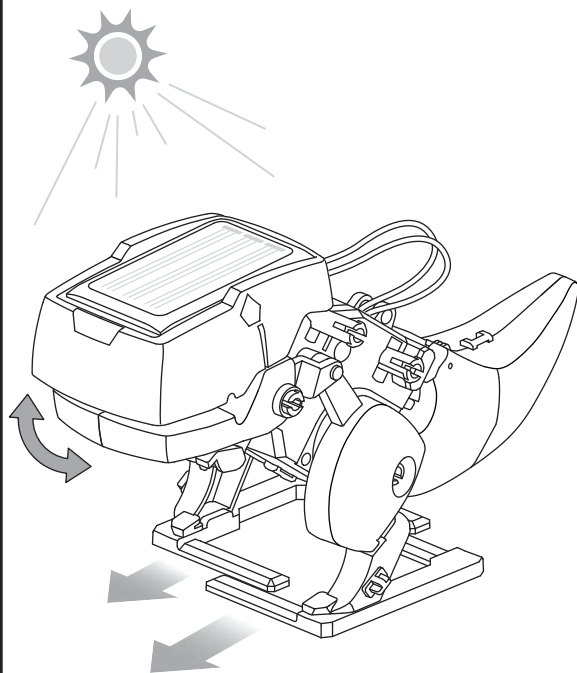
7



8



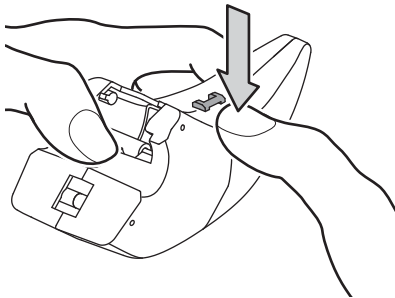
9 Running



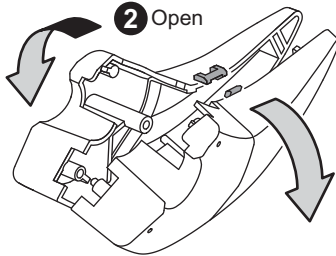
Sun powers walking and jaw action

Disassemble

1 Push down

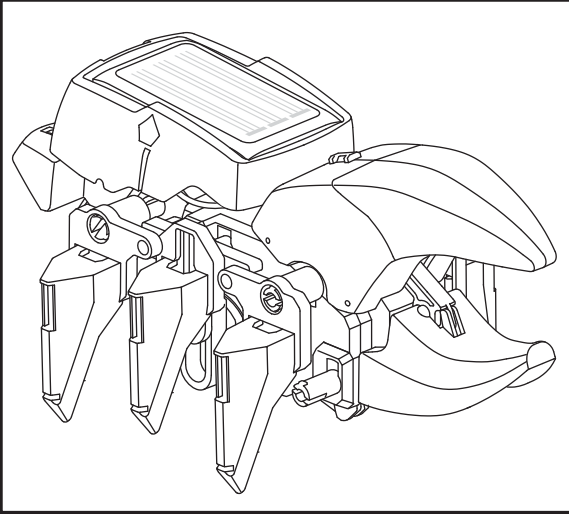


2 Open

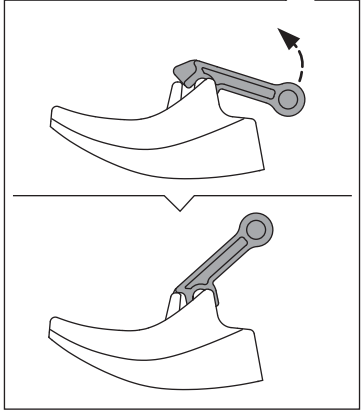
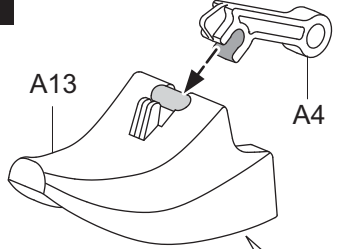


Rhino Beetle

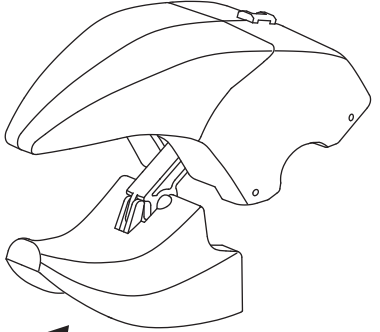
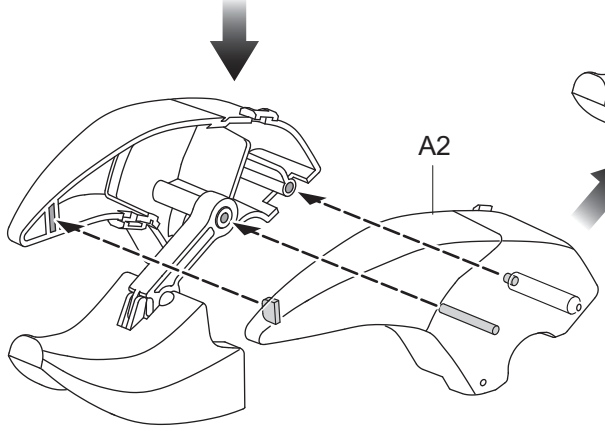
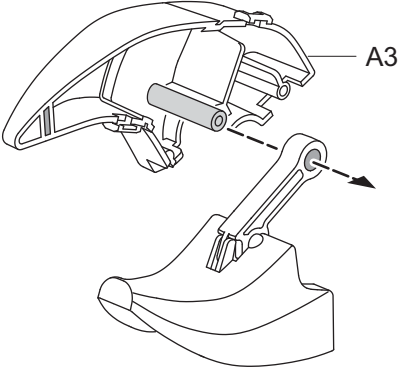
Assembly & Play



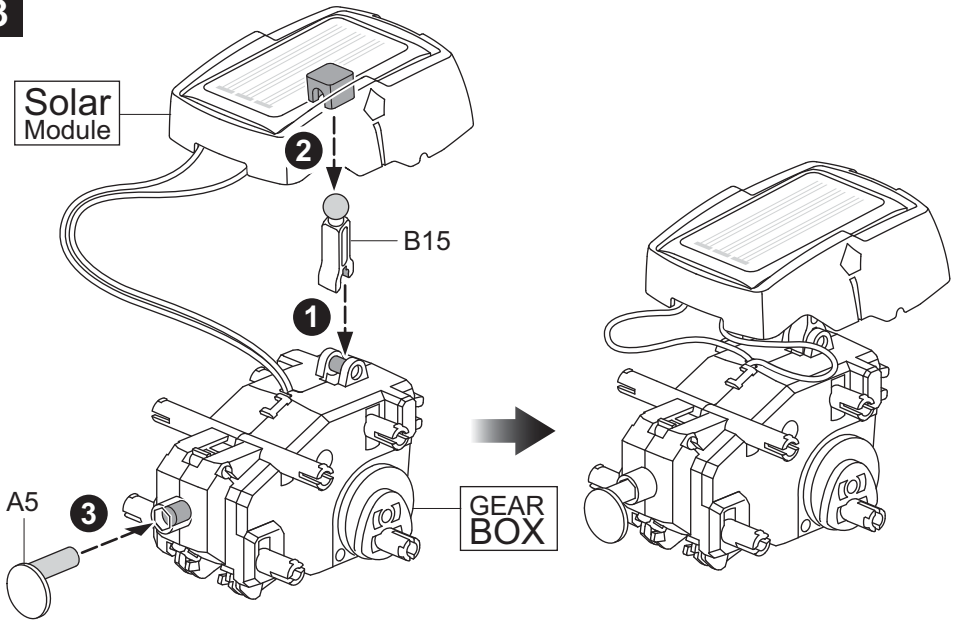
1



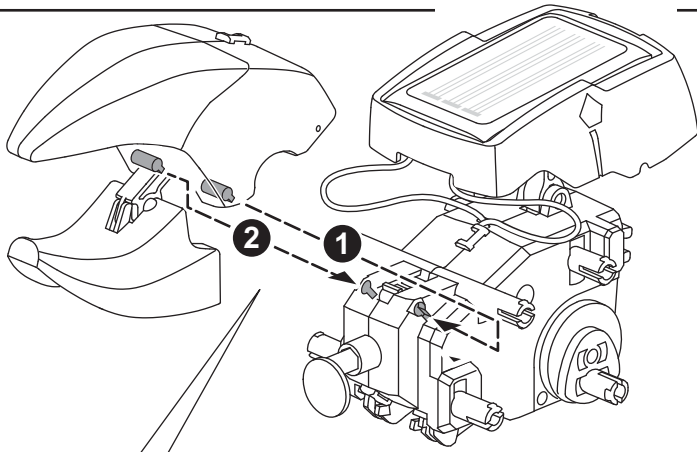
2



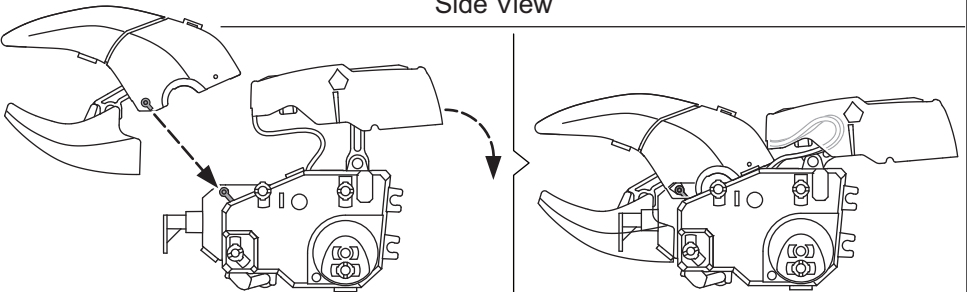
3



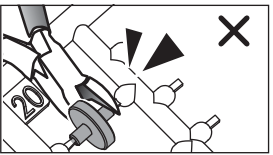
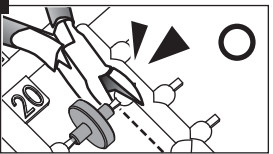
4



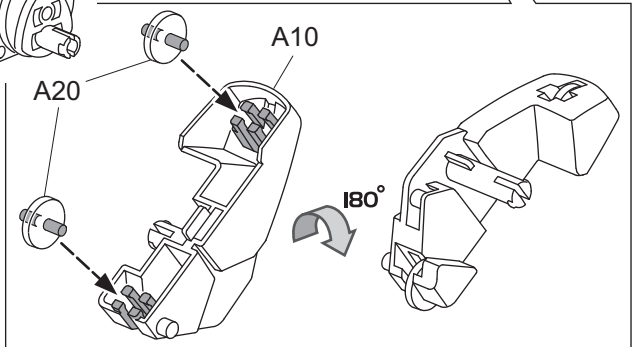
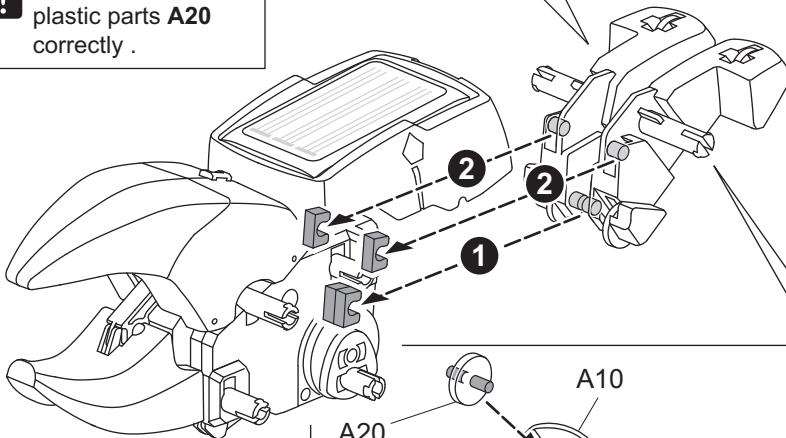
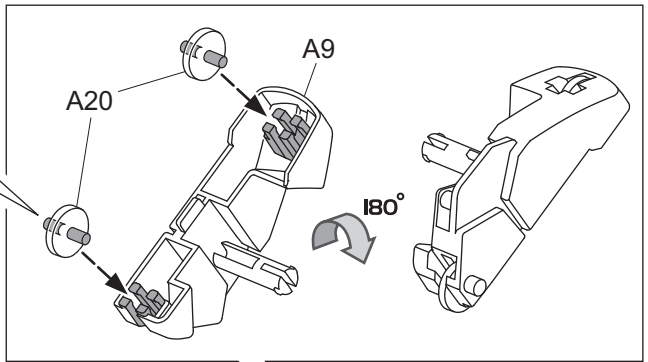
Side View



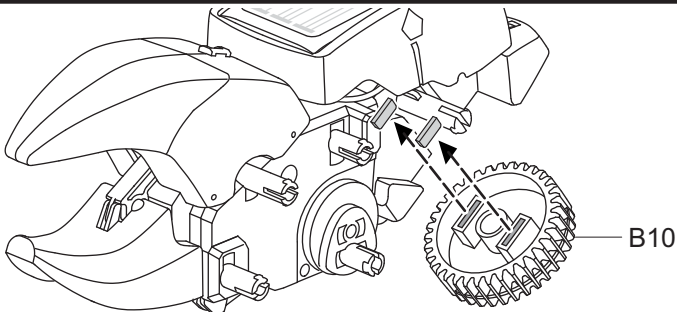
5



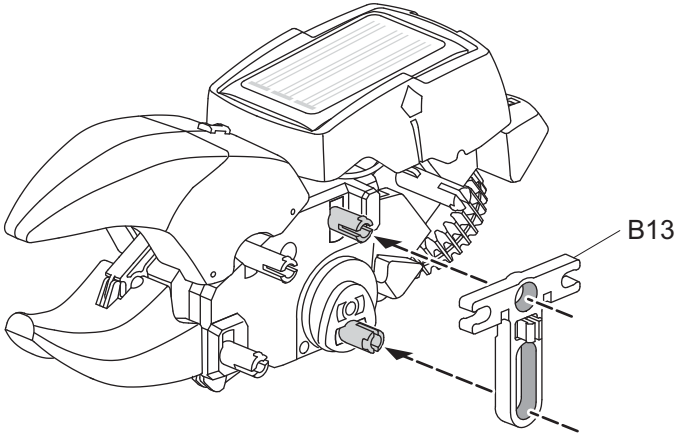
! Make sure to cut the plastic parts **A20** correctly .



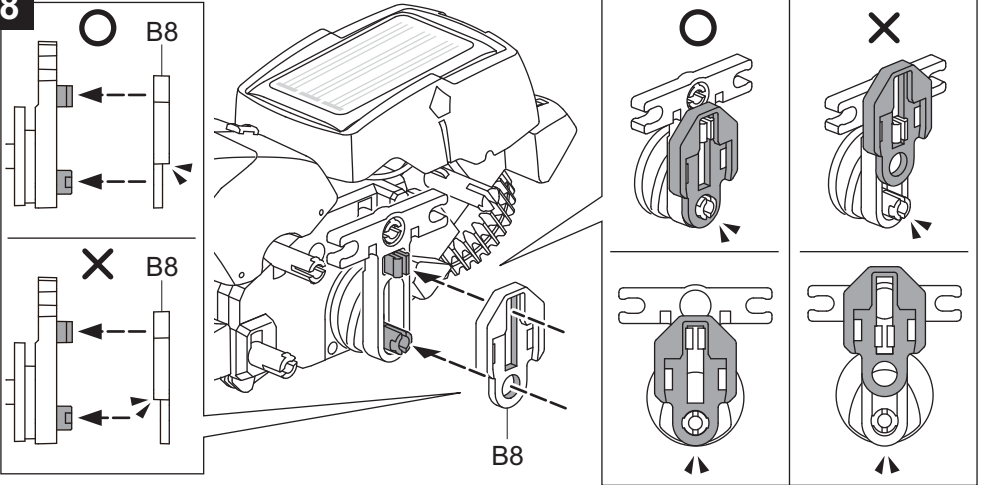
6



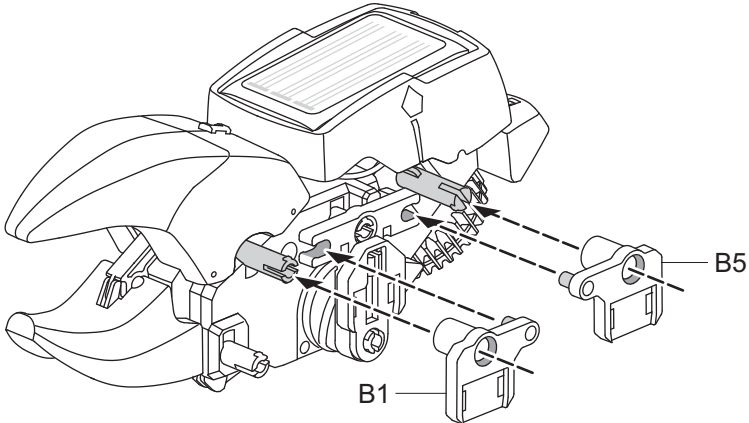
7



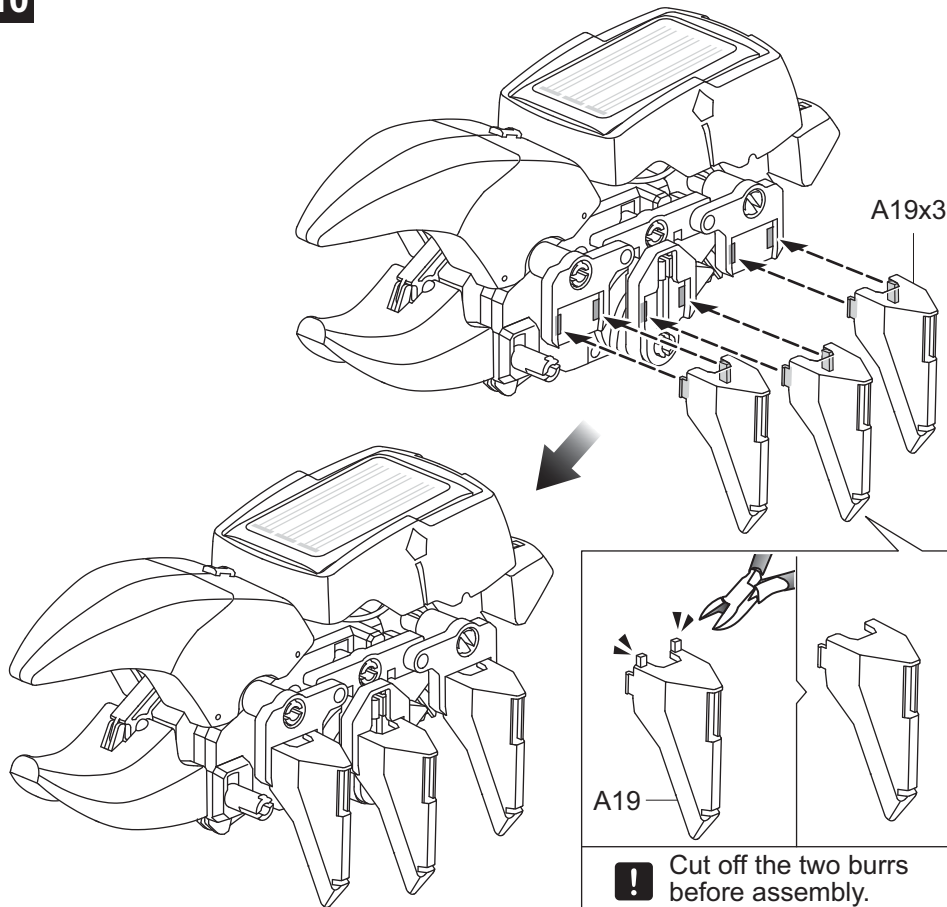
8



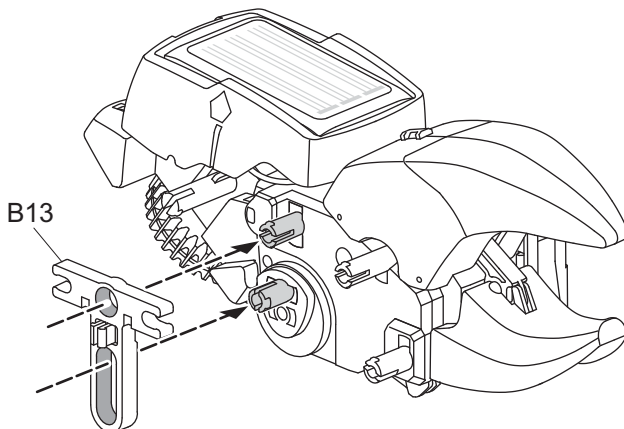
9



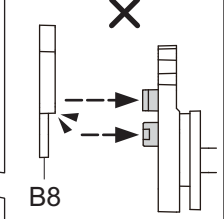
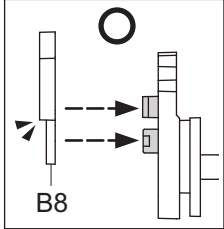
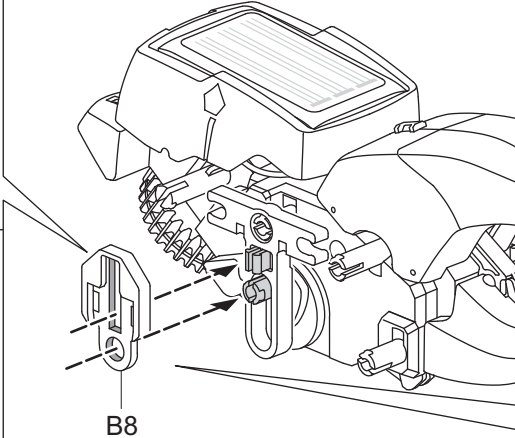
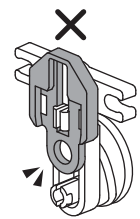
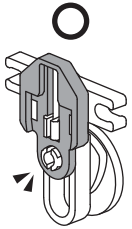
10



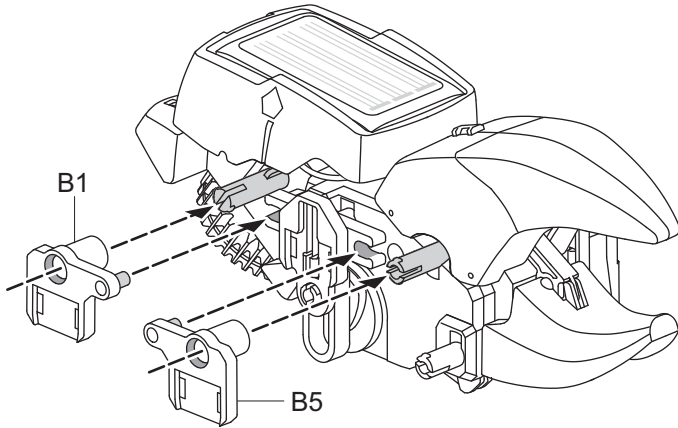
11



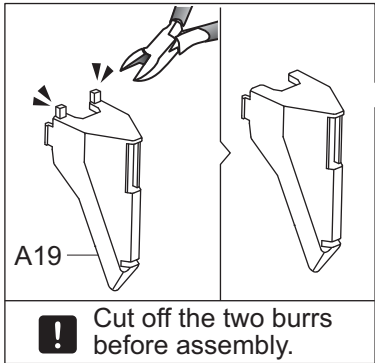
12



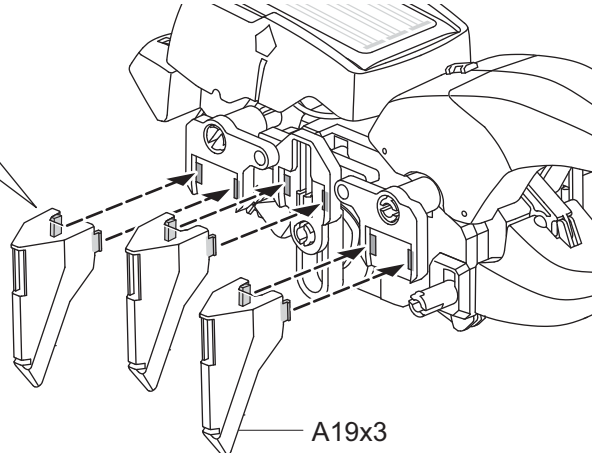
13



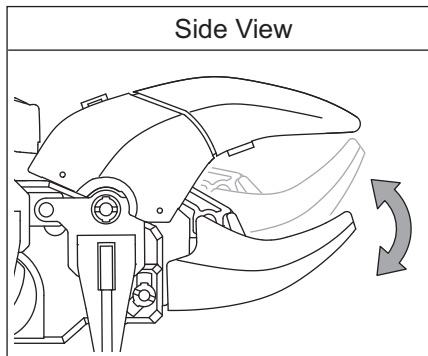
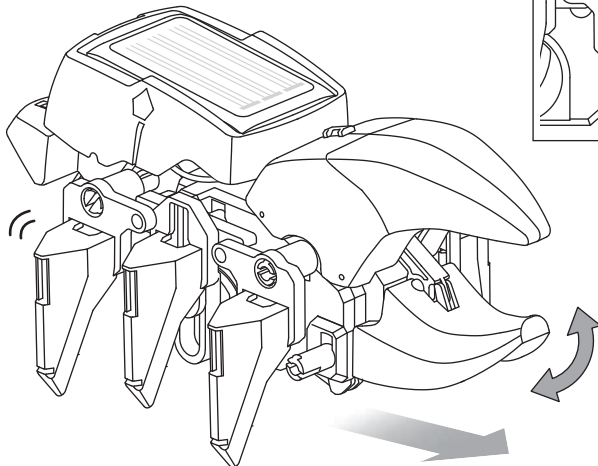
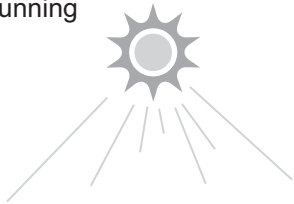
14



! Cut off the two burrs before assembly.

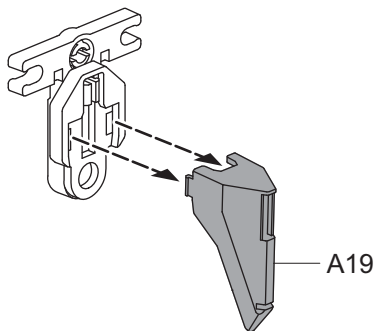
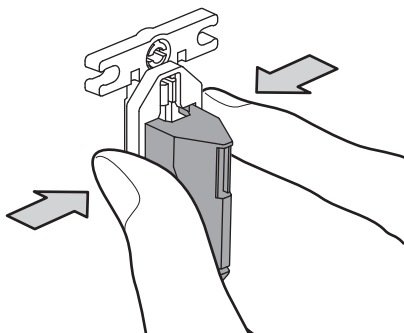


15 Running



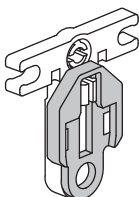
Sun powers 6-leg walking and jaw action

Disassemble

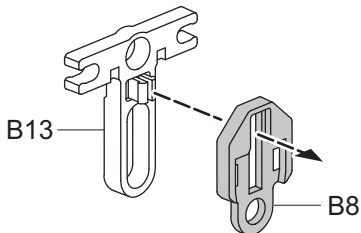


Don't Disassemble

○

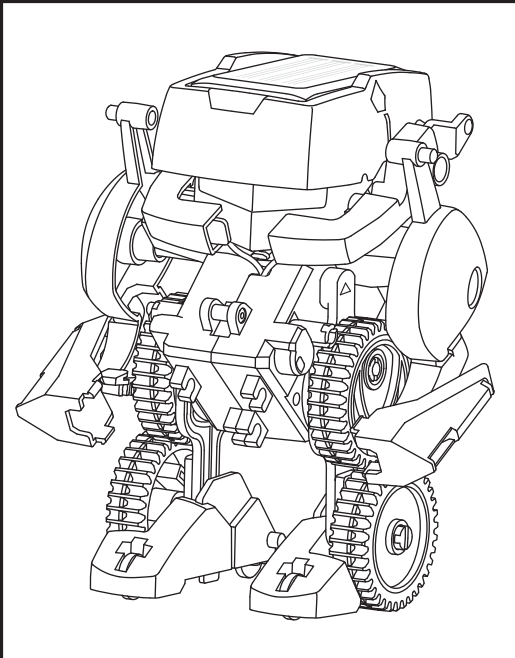


×



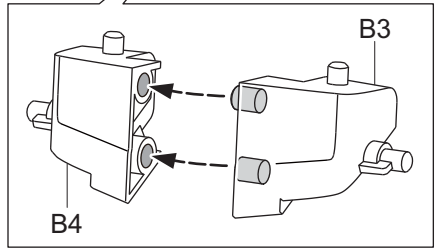
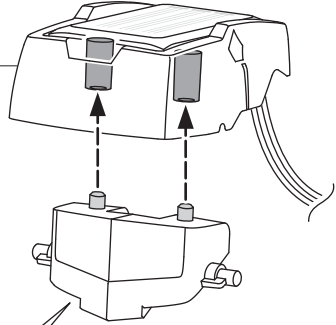
Robot

Assembly & Play

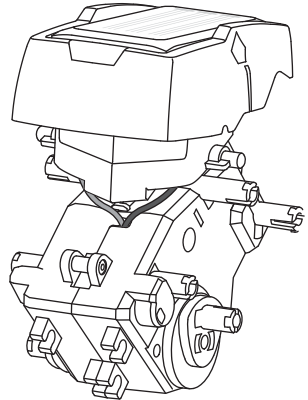
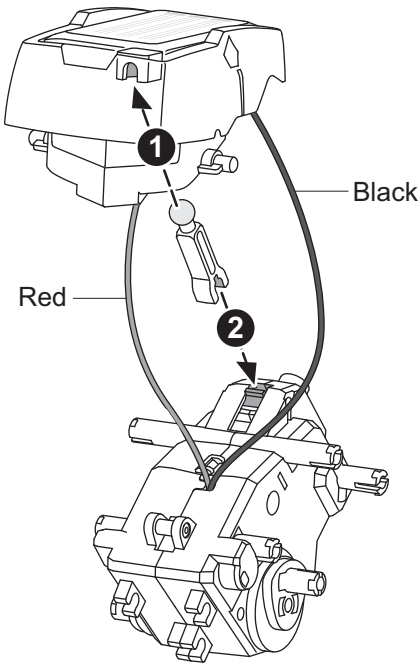


1

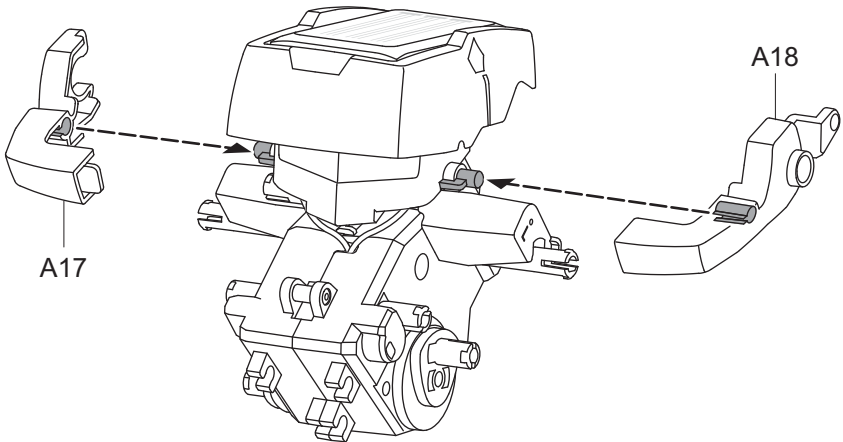
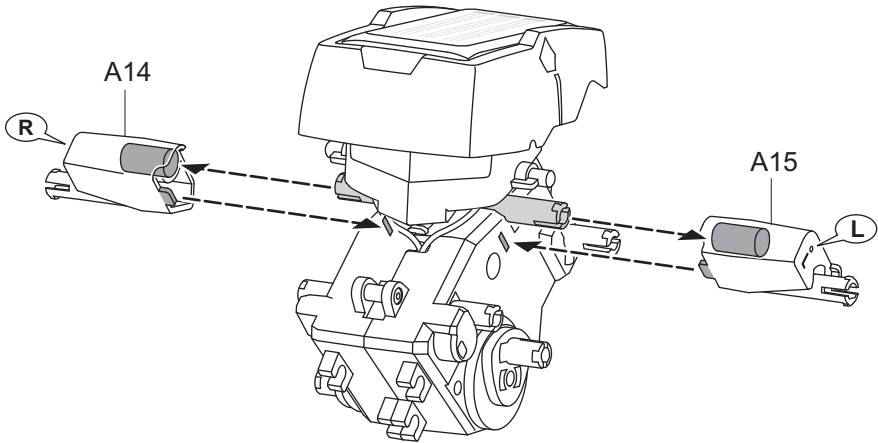
Solar Module



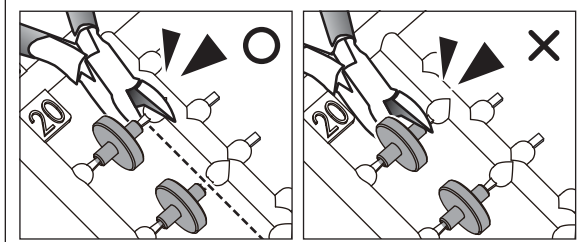
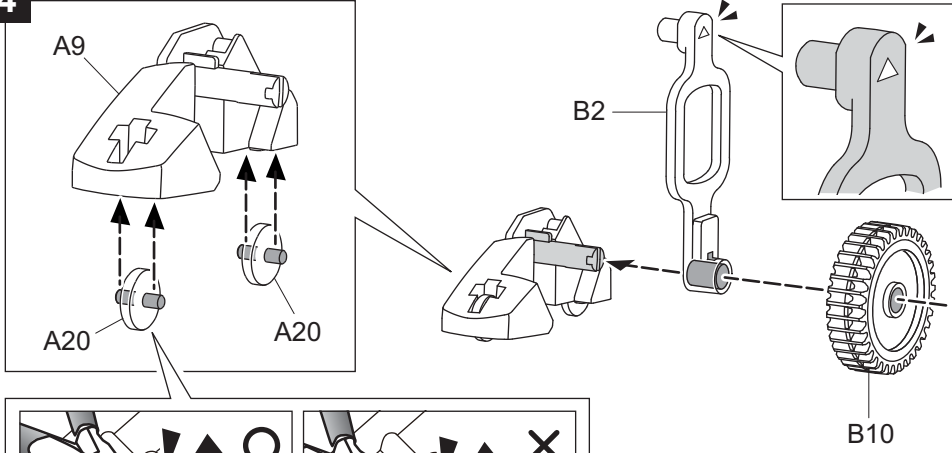
2



3

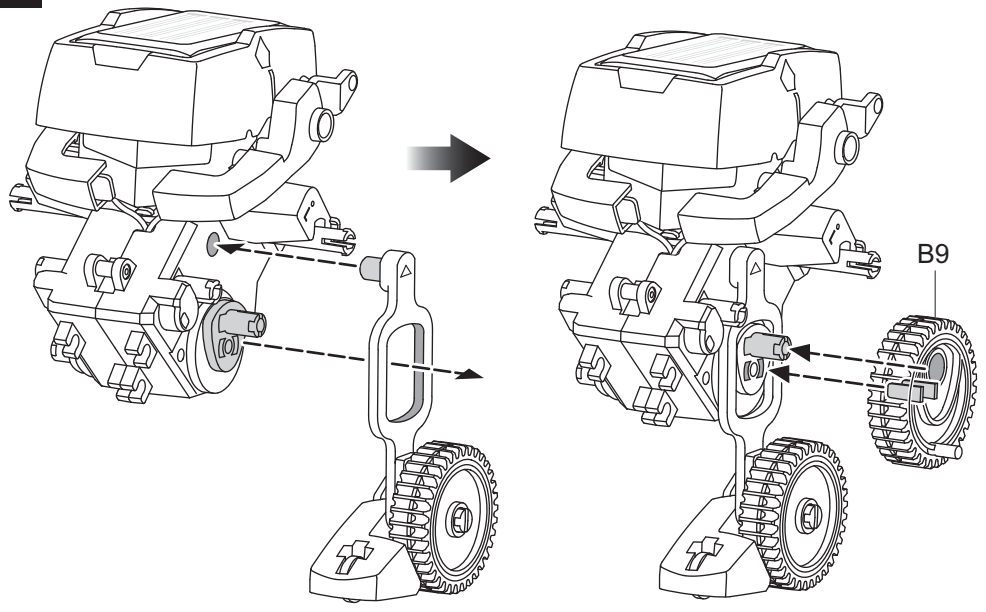


4

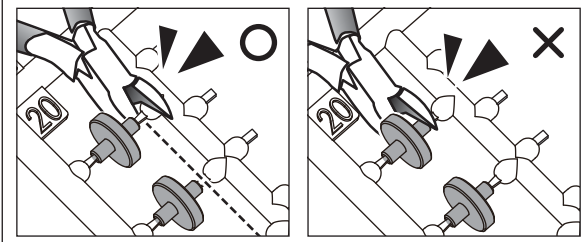
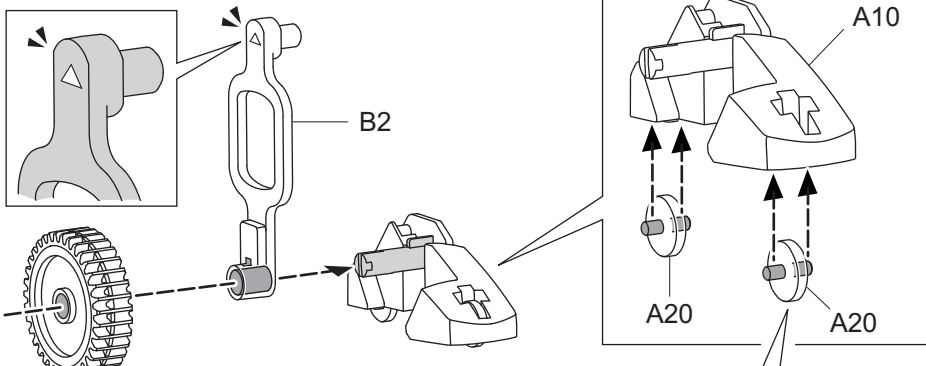


! Make sure to cut the plastic parts **A20** correctly.

5

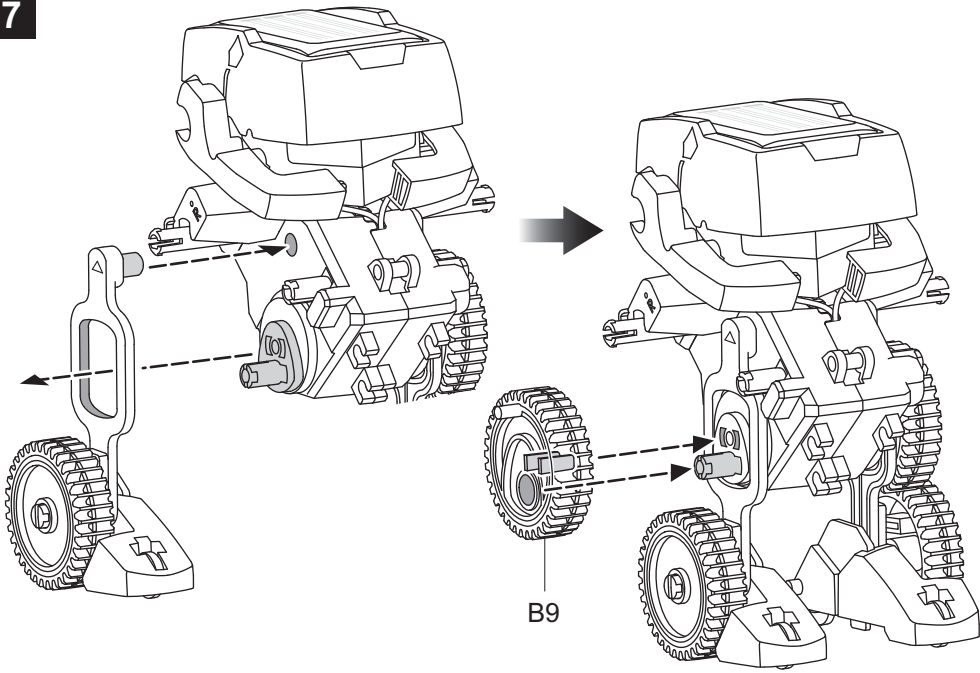


6

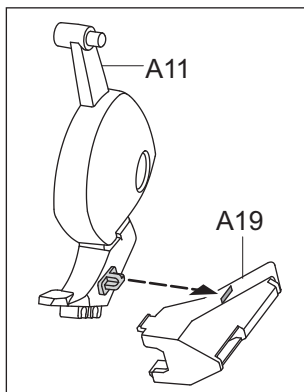
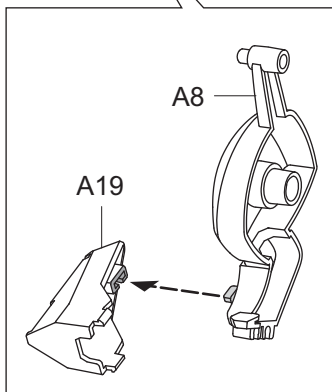
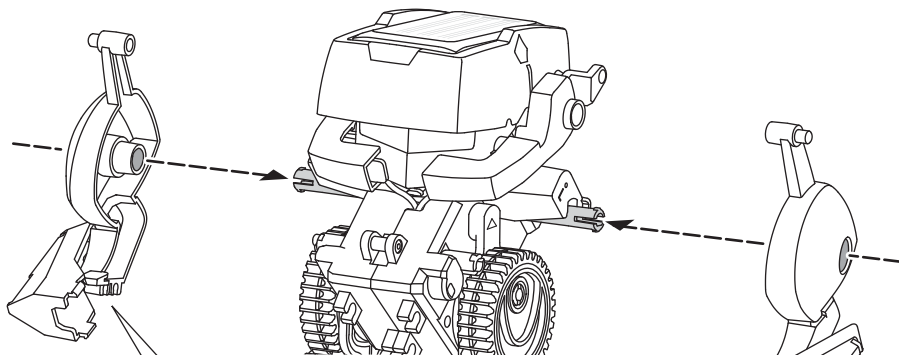


! Make sure to cut the plastic parts A20 correctly .

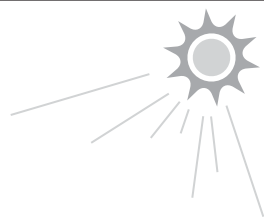
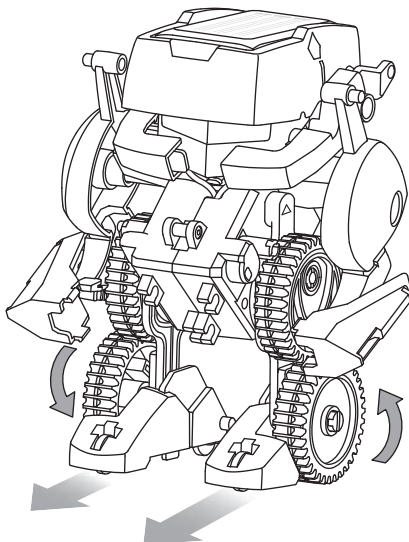
7



8



9 Running

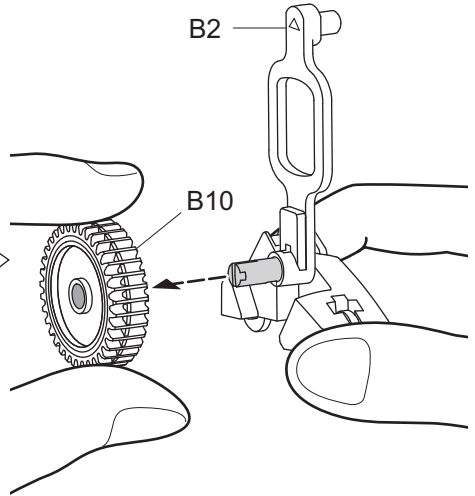
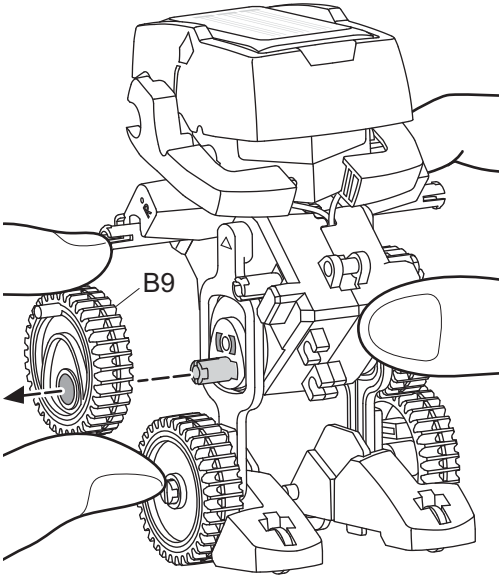


*For best results,
operate on smooth
surface

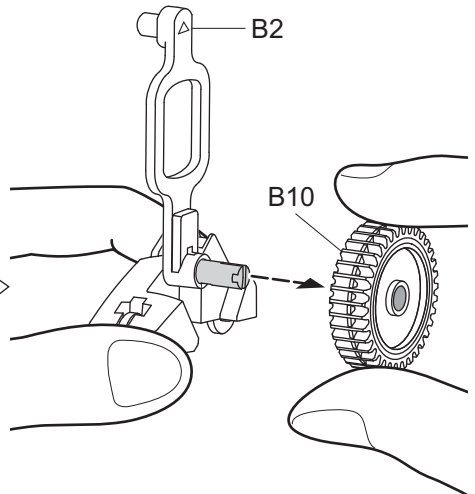
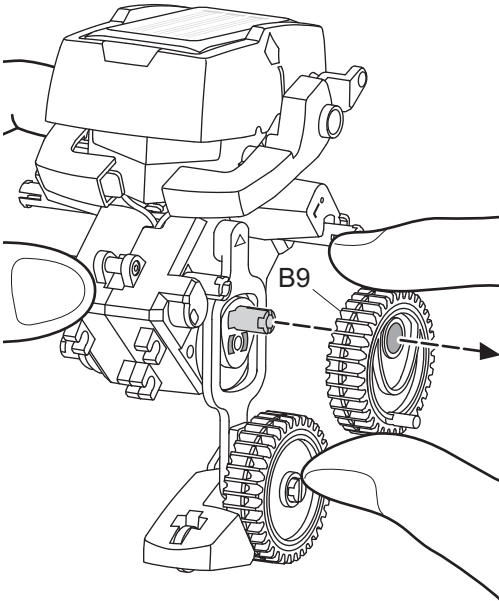
Sun powers leg
movement and
wheel rotation

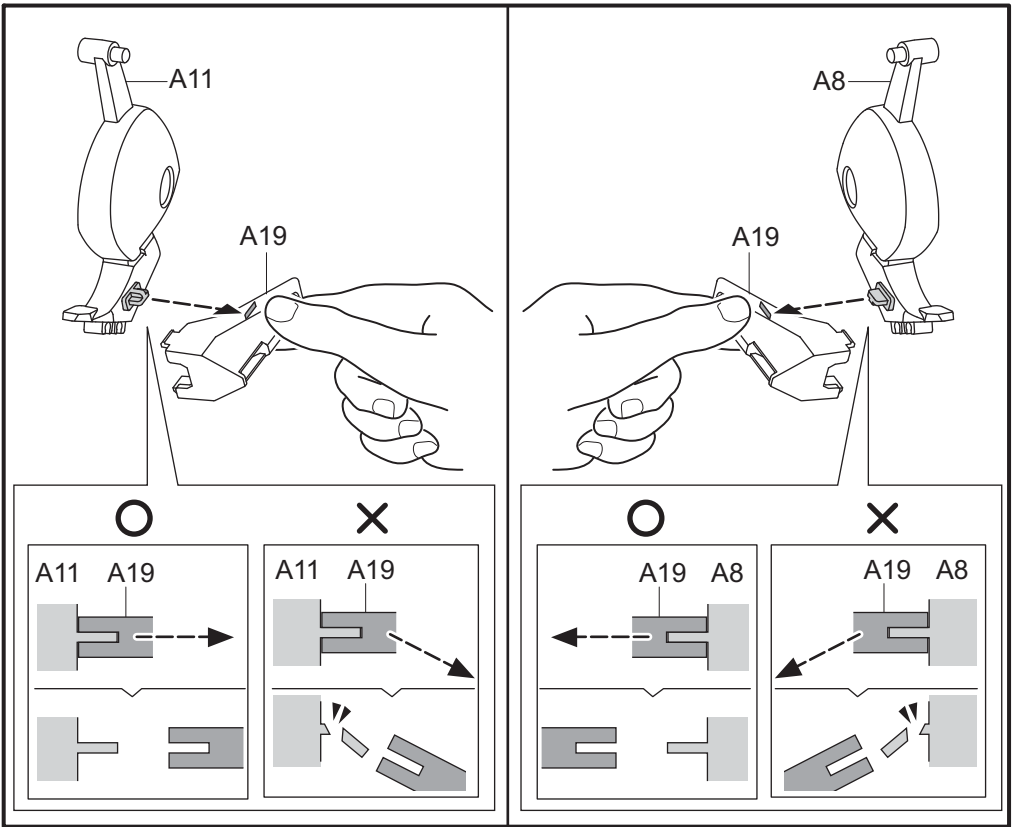
Disassemble

1

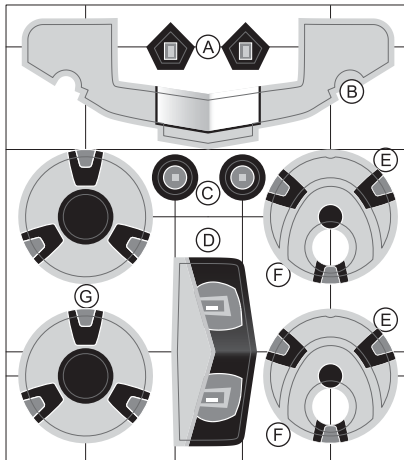


2



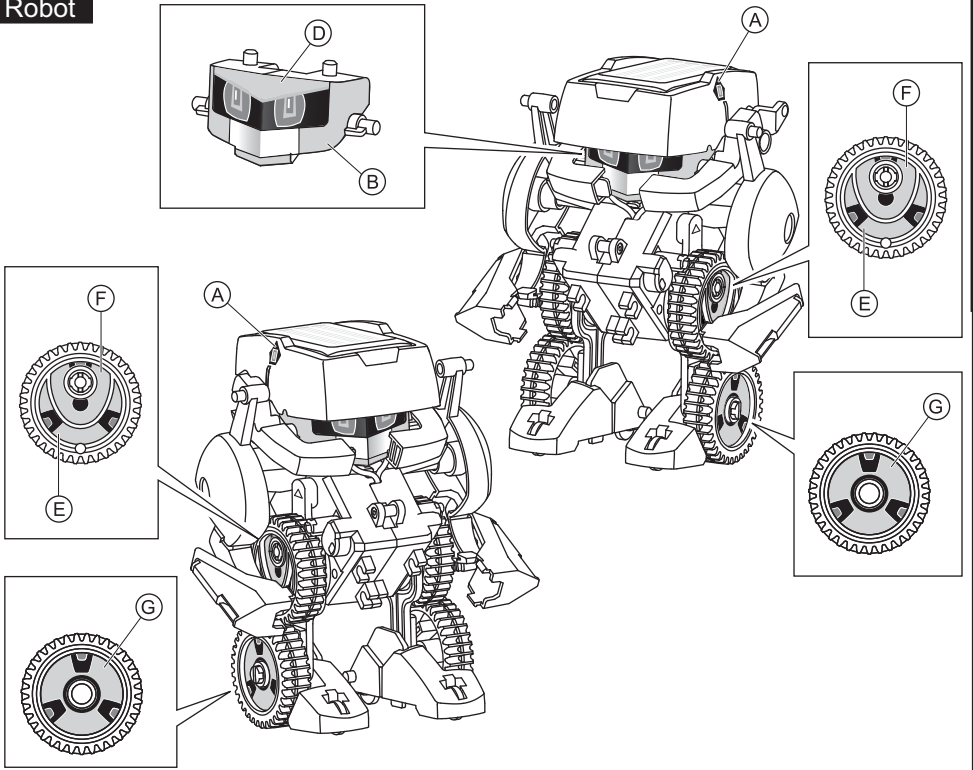


Stickers

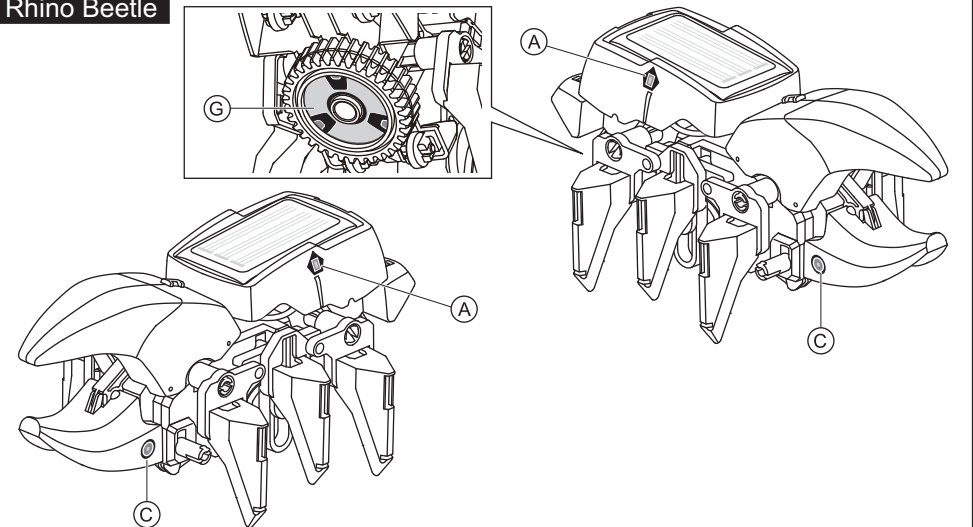


Decoration

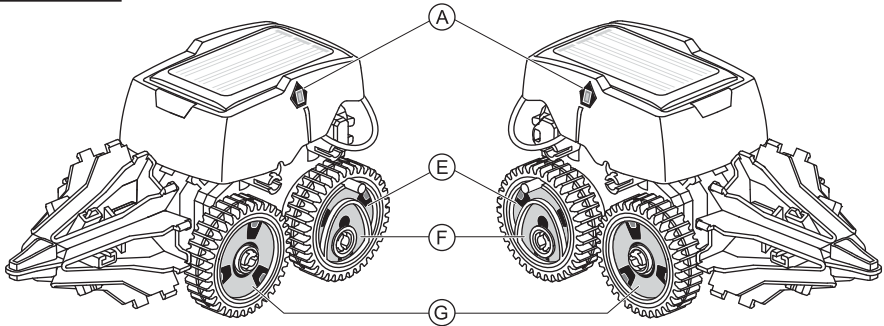
Robot



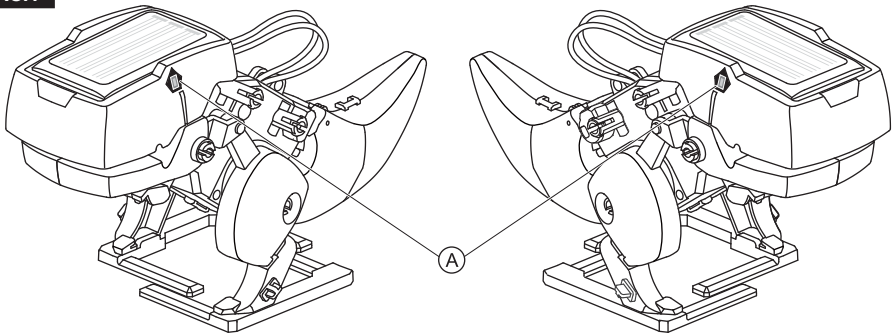
Rhino Beetle



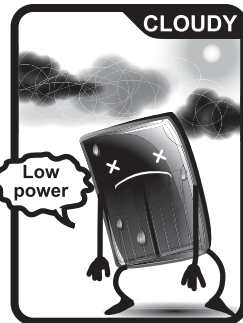
Drill Vehicle



T-Rex



It's time to have some FUN !



1. Take outside under direct sunlight. Best results are obtained when operated on a sunny day.
2. For indoor fun, use a 50 watt halogen light. The product will not run on a cloudy day, shaded locations, indirect sunlight, or under a Fluorescent light.

Distributed by:
TechBrands
Electus Distribution Pty. Ltd.
320 Victoria Rd, Rydalmere
NSW 2116 Australia
Ph: 1300 738 555
Int'l: +61 2 8832 3200
Fax: 1300 738 500
www.techbrands.com



 **WARNING :**
CHOKING HAZARD
Small parts
Not for children under
3 years