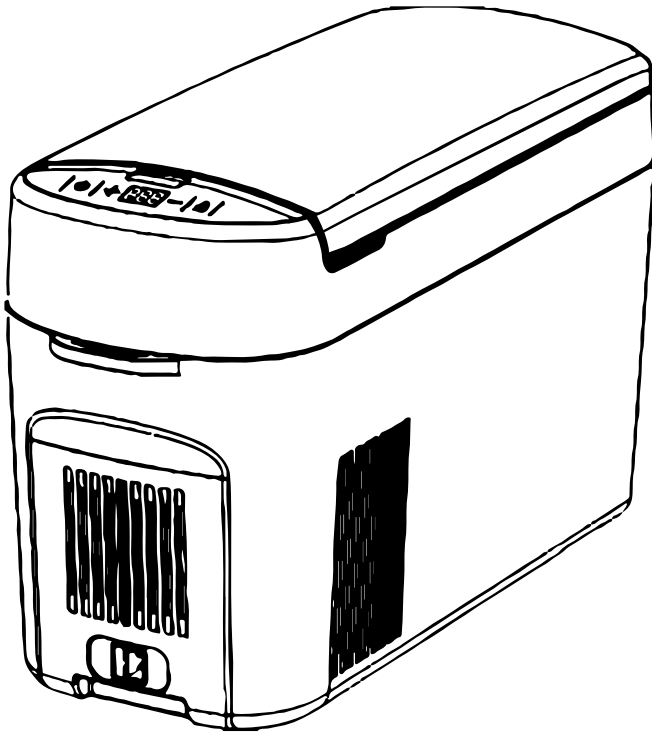


**GH2106**



**15L CONSOLE  
PORTABLE  
FRIDGE**



**INSTRUCTION MANUAL**

## CONTENTS

Warnings & Safety Information .....	3
Before First Use .....	5
Box Contents .....	5
Product Dimensions .....	6
Using The Refrigerator in a Vehicle .....	6
Operating Instructions .....	7
Troubleshooting .....	9
Error Code & Solutions .....	9
Specifications .....	10
Warranty Information .....	12

## WARNINGS & SAFETY INFORMATION

**WARNING: The manufacturer is not responsible for any potential injury from misuse**

### NOTICE

- By ignoring the safety instructions, the manufacturer cannot be held responsible for the damage.
- The use of accessories that are not recommended by manufacturer can cause injuries and will invalidate any warranty that you may have.
- The appliance shall not be exposed to moderate/heavy rain.
- Place the refrigerator on a dry, secure surface, with adequate ventilation.
- Do not leave the refrigerator unattended in uncovered, outdoor areas exposed to the elements.
- Do not use this appliance near direct heat sources, such as an open flame or radiator.
- Do not place open containers of liquid inside the fridge.
- Please don't put hot/warm food into the fridge directly without letting it cooling off. Place/arrange the content of your fridge securely when using the refrigerator inside a moving vehicle.
- To maximize energy savings, please make sure the lid is closed and secure, and only open the fridge when you need to.
- The power cable must only be replaced by qualified technical personnel and by an assistant body authorized by the manufacturer.
- Before carrying out any maintenance operations on the refrigerator, disconnect all power sources from the fridge.
- Further information is provided on the technical data label inside the product.

### CAUTION

- Please keep the fridge in a well ventilated area.
- Do not use mechanical devices or other means to accelerate the defrosting process, other than those recommended by the manufacturer.
- Do not use electrical devices inside the food storage compartments of the appliance, unless approved/recommended by the manufacturer.
- The appliance is only to be used with the power supply unit provided with the appliance.
- It must only be supplied at safety extra low voltage corresponding to the marking on the appliance.
- To avoid contamination of food, please respect the following instructions:
  - Opening the door for long periods can cause a significant increase of the

temperature in the compartments of the appliance.

- Clean regularly surfaces that can come in contact with food and accessible drainage systems.
- Store raw meat and fish in suitable containers in the refrigerator, so that it is not in contact with or drip onto other food.
- If the refrigerating appliance is left empty for long periods, switch off, defrost, clean, dry, and leave the door open to prevent mould developing within the appliance.
- Food needs to be packed in bags before putting into the refrigerator, and liquids need to be packed in bottles or capped containers to avoid the problem that the product design structure is not easy to clean.

## **WARNING**

- Do not store explosive items, such as aerosol cans with a flammable propellant in this appliance.
- Risk of fire and electrical shock.
- Do not let hot items touch the plastic parts of the appliance.
- Do not put flammable products or items in, near or on the appliance.
- Do not touch the compressor or the condenser when the fridge is operating. They may be very hot.
- When setting up the appliance, ensure the supply cord is not trapped or damaged.
- Do not locate multiple portable socket-outlets or portable power supplies at the rear of the appliance.
- This appliance is not intended for use by persons (including children) with reduced physical, sensory or mental capabilities, or lack of experience and knowledge, unless they have been given supervision or instruction concerning use of the appliance by a person responsible for their safety.
- Children should be supervised to ensure that they do not play with the appliance.
- If the supply cord is damaged, it must be replaced by the manufacturer, its service agent or similarly qualified person in order to avoid a hazard.
- Do not store explosive substances such as aerosol cans with a flammable propellant in this appliance.

## **INTENDED TO USE**

- This appliance is intended to be used in household and similar applications such as:
  - Staff kitchen areas in shops, offices and other working environments;
  - Farm houses and by clients in hotels, motels and other residential type environments;
  - Bed and breakfast type environments;
  - Catering and similar non-retail applications.

## **CORRECT DISPOSAL OF THIS PRODUCT**

- To prevent possible harm to the environment or human health from uncontrolled waste disposal, recycle it responsibly to promote the sustainable reuse of material resources. To return your used device, please use the recovery systems or contact the retailer that they can take this product for environmental safe recycling.
- Risk of child entrapment.
- Before you throw away your old refrigerator or freezer:
  - Take off the doors.
  - Leave the shelves in place so that children may not easily climb inside.
- The insulation of the cooling device contains flammable cyclopentane and requires special disposal procedures. Deliver the cooling device at the end of its life-cycle to an appropriate recycling center.

## **BEFORE FIRST USE**

Prior to using your product, please read all the safety and operating instructions thoroughly. Please ensure you follow the steps below before using the product. We recommend you keep the original packaging for storing the product when not in use.

Please pay close attention to the section entitled Warnings & Safety Information. Find a safe and convenient place to keep this instruction manual for future reference.

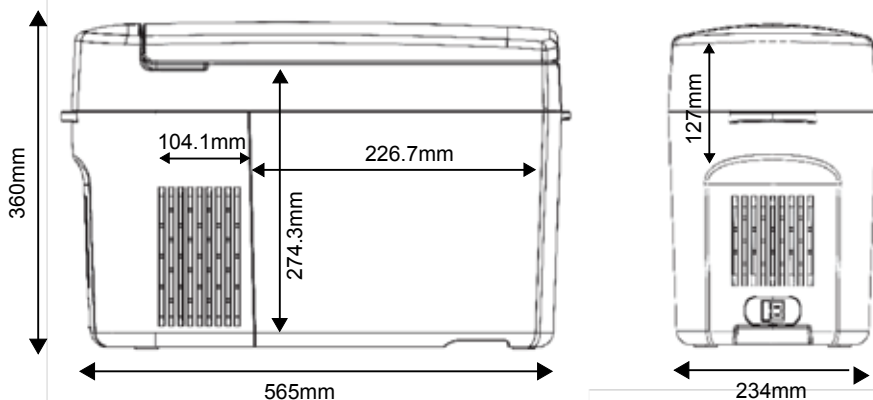
Unpack the product but retain all packaging materials until you are satisfied that your new product is undamaged and in working order. Ensure you have all accessories listed in this manual.

## **BOX CONTENTS**

1 x 15L Console Portable Fridge

1 x 12/24V DC Power Cable

## PRODUCT DIMENSIONS



## USING THE REFRIGERATOR IN A VEHICLE

### CONNECTING WITH 12V OR 24V

Connect the feeding cable to a direct current 24V DC power source.

- Make sure the polarity is right.
- If connected to an existing cigarette plug, please carefully check up that power supply is sufficient.
- If the supplied power cable is not used, please see the table containing the information related to the cable section.

### CONNECTING WITH 100V-240V

The Fridge/Freezer is designed to operate on DC voltage inputs.

## OPERATING INSTRUCTIONS



### HOW TO USE THE REFRIGERATOR

1. Connect the fridge to a power source.
2. Press "⏻" to turn on or turn off the fridge.

### ADJUSTING THE TEMPERATURE

With the appliance on, short press "+" button to increase the temperature and the "-" to decrease the temperature.

The highest temp is 18°C, the lowest - 18°C.

**NOTE:** Hold down the "+" or "-" button to fast scroll.


### SAVING ENERGY TIPS

- Do not open the appliance frequently if unnecessary.
- Make sure leave enough space to ventilating.
- Deforest the appliance once a layer of ice forms.
- Allow warm food to cool down first before placing it in the freezer to keep cool.

### SETTING THE TEMPERATURE UNITS

- To swap between C or F on the display you must have the fridge plugged in and turned on, long press "+" and "-" buttons at the same time for few seconds to enter the advanced settings.
- Press the "+" buttons to scroll to the function (F-C), press the "🔒" button to enter the parameter, and press the "+" or "-" buttons to change the setting.
- Without having to press any other button to confirm, the display will automatically save the setting and exit programming mode.

## UNLOCK BUTTON

- With the fridge powered on, press and hold the Button  to unlock the fridge's control interface.
- The fridge will lock its control interface after 30 seconds of no control inputs, to prevent accidental changes from being made.
- You can press and hold the Button for 3 seconds to unlock the control interface.

## SETTING THE BATTERY PROTECTION

- The device is preset with a high battery protection level.
- With the fridge powered on, press the "+" and "-" button to access the battery protection level settings. The current setting will start to flash on the display.
- Press the "+" or "-" button to scroll through the three different settings.

**1 BAR**      

**2 BARS**      

**3 BARS**      

- Without having to press any other button to confirm, the display will automatically save the setting and exit programming mode.

## BATTERY PROTECTION LEVEL

Battery protection (SWITCH POSITION)	Cut-out 12V	Cut-in 12V	Cut-out 24V	Cut-in 24V
<b>L</b>	9.6	10.9	21.3	22.7
<b>M</b>	10.4	11.7	22.8	24.2
<b>H</b>	11.1	12.4	24.3	25.7

## WHAT'S BATTERY PROTECTION MODE?

This function is designed to prevent over-discharge and battery depletion. When the measured DC voltage is below the Cut-off value, the compressor will shut off to prevent battery depletion. After the voltage is higher than Start-up value, the compressor will go back to work again.

Improper protection setting or low power voltage may cause E1 error, please lower the battery protection or recharge the battery in time.



## TROUBLESHOOTING

PROBLEM	SOLUTION
Power Cutting In/Out	<ul style="list-style-type: none"> <li>Your fridge has built in battery protection and needs a minimum 10.9 V to start and 9.6 V to continue operating.</li> <li>During operation a load is placed on the power supply and voltage can drop by as much as 2 V, especially if the wiring is insufficient (less than 6mm direct to battery) or if there is a loose connection somewhere.</li> <li>If this occurs when you try and start your SetPower and the power supply drops under 10.9 V it will not start. If this occurs when your SetPower is running and the power supply drops below 9.6 V it will stop.</li> </ul>
Common 12V Power Supply Issues	<b>Wiring</b> <ul style="list-style-type: none"> <li>Often the standard wiring from the car battery to the 12V outlet is too small.</li> <li>A minimum 6mm automotive wiring should be used and the earth should be wired directly back to the battery.</li> </ul>
	<b>Battery</b> The car battery could be old, undersized or have a dead cell causing too much voltage drop.
	<b>Connections</b> The 12 V plug, car 12 V socket or any of the connections between the fridge and the battery could be faulty or have come loose since installation.

## ERROR CODE & SOLUTIONS

When there is error for the fridge, there will be code on the display. The possible error for each code would be as follows:

CODE	ISSUE	SOLUTION
E1	Battery, voltage low is low.	Check battery voltage and adjust Low Voltage Cut-Off as required.
E2	Fan failure	Contact point of sale to arrange further action.
E3	Compressor startup problems.	Check air vents are clear. Move fridge to cooler location (ambient temperature may be too high).
E4	Compressor's running speed fails to reach the requirements.	
E5	The model is overloading.	
E6	NTC failure(open circuit or short circuit).	

## SPECIFICATIONS

<b>External Dimensions (L*W*H)</b>	565×234×360mm
<b>Capacity</b>	15 L
<b>Net Weight</b>	8.3kg
<b>Temperature Range</b>	-18°C to +18°C
<b>Installed Power</b>	40W
<b>Supply Voltage</b>	DC: 12V/24V
<b>Refrigerant Gas</b>	R134a(28g)

**NOTE:** Unit can be used with 100V-240V, when connected to an AC adapter.



## WARRANTY INFORMATION

Our product is guaranteed to be free from manufacturing defects for a period of 3 years. If your product becomes defective during this period, Electus Distribution will repair, replace, or refund where a product is faulty; or not fit for intended purpose.

This warranty will not cover modified product; misuse or abuse of the product contrary to user instructions or packaging label; change of mind and normal wear and tear.

Our goods come with guarantees that cannot be excluded under the Australian Consumer Law. You are entitled to a replacement or refund for a major failure and for compensation for any other reasonably foreseeable loss or damage. You are also entitled to have the goods repaired or replaced if the goods fail to be of acceptable quality and failure does not amount to a major failure.

To claim warranty, please contact the place of purchase. You will need to show receipt or other proof of purchase. Additional information may be required to process your claim.

Any expenses relating to the return of your product to the store will normally have to be paid by you.

The benefits to the customer given by this warranty are in addition to other rights and remedies of the Australian Consumer Law in relation to the goods or services to which this warranty relates.