

**24L Dual Zone  
Fridge / Freezer  
GH-2094**

**Instruction Manual**



## **CONTENTS**

1. SAFETY INSTRUCTIONS .....	Page1
2. PRODUCT FEATURES .....	Page2
3. BOX CONTENTS .....	Page2
4. PRODUCT STRUCTURE .....	Page2
5. PROCUTION DIMENSIONS .....	Page3
6. FUNCTION AND OPERATION .....	Page3
7. CARE AND MAINTENANCE .....	Page4
8. TROUBLESHOOTING .....	Page5
9. TECHNICAL INFORMATION .....	Page6
10. WARRANTY .....	Page7

## SAFETY INSTRUCTIONS

### **WARNING!**

- Do not operate the appliance if it is visibly damaged.
- Do not block the gaps of the fridge with things like pin, wire, etc.
- Do not expose the appliance to rain or soak it in water.
- Do not place the appliance near naked flames or other heat sources (heaters, direct sunlight, gas ovens etc.)
- Do not store any explosive substances like spray cans with a flammable propellant.
- Ensure the supply cord is dry and not trapped or damaged. Do not locate multiple portable socket-outlets or portable power supplies at the rear of the appliance.
- Check the voltage specification on the type plate corresponds to that of the energy supply. The appliance is only to be used with the power supply unit provided with the appliance.
- Do not use electrical appliances inside the food storage compartments of the appliance, unless they are of the type recommended by the manufacturer.
- Once unpacked and before turning on, the appliance must be placed on a level surface for more than 6 hours.
- Make sure that the appliance stays horizontally when it is running. The tilt angle must be less than 5° for long time running and be less than 45° for short time running.
- Keep the ventilation openings in the unit casing or in the built-in structure free of obstacles.
- Keep the appliance stable on the ground or in the car; Do not drain upside down.

### **CAUTION!**

- Repairs may only be carried out by qualified personnel. Incorrect repair may cause danger. The lamp and supply cord must be replaced by the manufacturer or qualified persons.
- The installation of DC power in the boat must be handled by qualified electricians.
- Children shall not play with the appliance. Cleaning and user maintenance shall not be made by children without supervision.
- The appliance can be used by children aged from 8 years and above and persons with reduced physical, sensory or mental capabilities or lack of experience and knowledge if they've been given supervision or instruction concerning use of the device in a safe way and understand the hazards.

### **NOTICE!**

- Disconnect the power supply before each cleaning and maintenance and after every use.
- Do not use sharp tools to defrost; Do not damage the refrigerant circuit.
- Risk of child entrapment. Before you throw away your old refrigerator or freezer: take off the doors: leave the shelves in place so that children may not easily climb inside.
- Check if the cooling capacity of the appliance is suitable for storing the food or medicine. Food may only be stored in its original packaging or in suitable containers.
- If the appliance is left empty for long periods, switch off, defrost, clean, dry, and leave the door open to prevent mould developing within the appliance.
- The appliance is intended to be used in household and similar applications such as:

- Staff kitchen areas in shops, offices and other working environments;
- Camping, Farm houses and by clients in hotels, motels and other residential environments;
- Bed and breakfast type environments;
- Catering and similar non-retail applications.
- Information, illustrations and specifications in this manual reflect the most current available at the time of publication, are subject to change without prior notice.

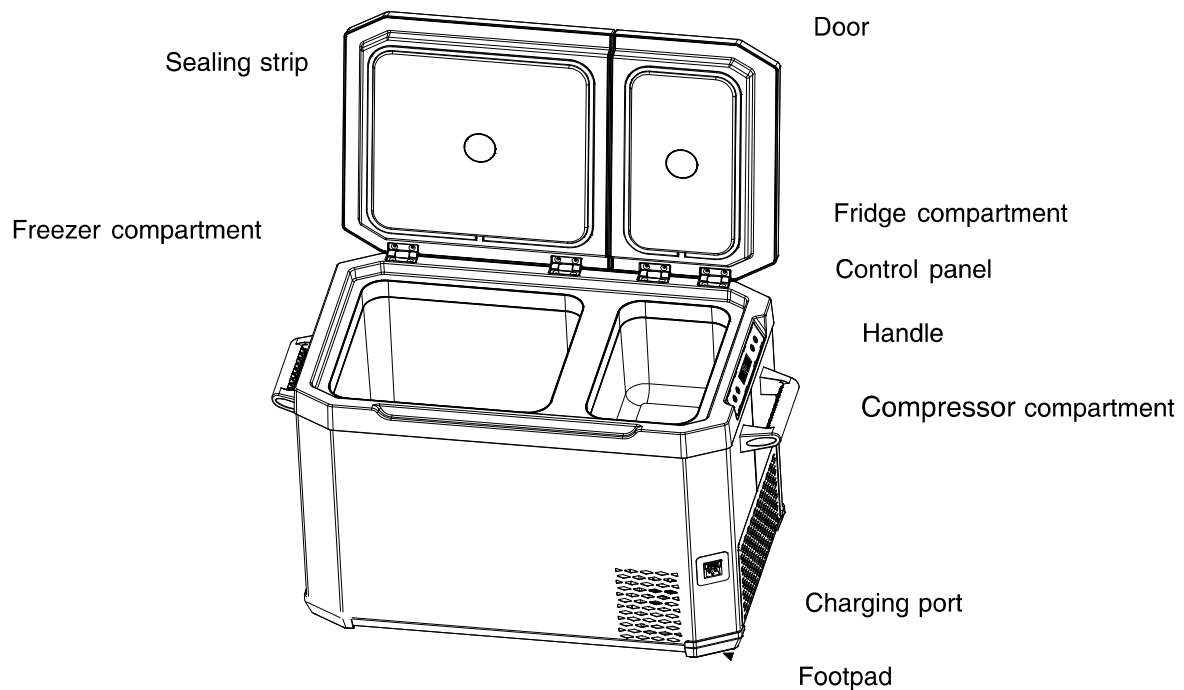


Please according to local regulations regarding disposal of the appliance for its flammable refrigerant and blowing gas.

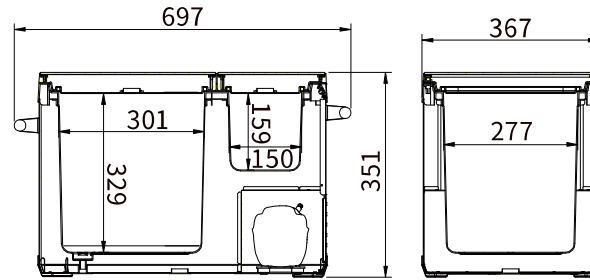
## PRODUCT FEATURES

- High-efficiency DC compressor and conversion module.
- CFC free and great heat insulation.
- DC12/24V or AC100~240V power supply (using dedicated adapter).
- Fast cooling to -20°C/-4°F (based on 25°C/77°F room temperature).
- Intelligent battery protection system prevents your vehicle from running out of battery.
- LED display for temperature setting. Dual compartments with single temperature control.

## PRODUCT STRUCTURE

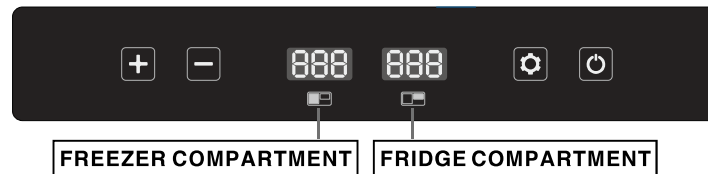



## PROCUCTION DIMENSIONS



GH-2094

## FUNCTION AND OPERATION






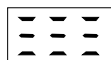
- **Power Supply:** connect to 12V/24V DC or 100~240V AC power(using dedicated adapter).
- **Display Screen Initialization:** connect to the power supply, the buzzer will make a long beep, and the display will be on for 1 second then enter the normal operating mode.
- **Power ON/OFF:** press  to switch ON/OFF.
- **Temperature Setting:** under the running state, press **+** or **-** , the screen will flash, then press **+** or **-** again to adjust the temperature of the freezer compartment. When the screen stops flashing, the temperature displayed is the current temperature of the compartments, it'll take a while to reach the set temperature.

**Note:** Only the temperature of the freezer compartment is adjustable, and the temperature of the fridge compartment changes with the freezer compartment.

**Temperature Reference** (Based on 25°C/77°F ambient temperature):

<b>Setting Temperature of the Freezer Compartment</b>	-20°C/-4°F	-15°C/5°F	-5°C/23°F	5°C/41°F
<b>Temperature Reference of the Fridge Compartment</b>	5°C/41°F	7°C/44.6°F	10°C/50°F	15°C/59°F

- **Cooling Mode:** under the running state, press  to switch HH(fast cooling mode) and Eco (energy saving mode).(\*Factory setting is HH.)
- **Battery Protection Mode:** under the running state, long press  for 3 seconds until the left screen flashes, then press  again to switch High, Medium and Low (\*Factory setting is High).




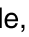

From left to right: Low/Medium/High.

### Voltage Reference:

INPUT MODE	DC 12V		DC 24V	
	CUT OUT	CUT IN	CUT OUT	CUT IN
L	8.5V	10.9V	21.3V	22.7V
M	10.1V	11.4V	22.3V	23.7V
H	11.1V	12.4V	24.3V	25.7V

\* the voltage is theoretical value, there may be a deviation in different sceneries.

Due to the different output voltages between vehicles, H should be set when the product is connected to car power, and M or L should be set when it is connected to a portable battery or other back-up battery.

- **Temperature Unit Setting:** switch off the fridge, long press  for three seconds until E1 displays, then switch to E5 by pressing  again. Under E5 mode, press **+** or **-** to select Celsius or Fahrenheit. (\*Factory setting is °C.)
- **Reset:** switch off the fridge, long press  for three seconds until E1 displays, under E1 mode, long press **+ -** at the same time for three seconds to reset it.

## CARE AND MAINTENANCE

### ■ Cleaning:

- Unplug the device first to avoid electric shock.
- Use wet cloth to clean the device and dry it.
- Remove the cover and drain from the hole at the bottom of the device.
- Do not soak the device in water and do not wash it directly.
- Do not use abrasive cleaning agents as these can damage the device.

### ■ Storage:

If the device will not be in use for a long time, please follow the steps:

- Turn off the power and remove the plug.
- Remove all the items stored in the device.
- Remove the cover and drain from the hole, wipe off excess water with a soft rag.
- Leave the lid slightly open to prevent odors from forming.
- Put the device in a cool and dry place.

### ■ Defrosting:

Humidity can form frost in the interior of the cooling device or on the evaporator, which will affect the cooling performance. Defrost the device regularly to avoid this.

- Switch off the device.
- Take out the contents of the device.
- Keep the lid open.
- Remove the cover and drain from the hole.
- Wipe off the defrosted water.



**Never use hard or sharp tools to remove ice or to loosen objects which have frozen in place.**

## TOUBLESHOOTING

Issues	Cause/Suggestions
<b>Refrigerator does not work</b>	<ul style="list-style-type: none"> <li>• Check if the switch is on.</li> <li>• Check if the plug and socket are connected well.</li> <li>• Check if the fuse has been burnt.</li> <li>• Check if the power supply is malfunctioned.</li> <li>• Switch on/off the fridge frequently may cause start delay of the compressor.</li> </ul>
<b>Refrigerator compartments are too warm</b>	<ul style="list-style-type: none"> <li>• The door is opened frequently.</li> <li>• A large amount of warm or hot food was stored recently.</li> <li>• The refrigerator has been disconnected for a long time.</li> </ul>
<b>Food is frozen</b>	<ul style="list-style-type: none"> <li>• The temperature was set too low.</li> </ul>
<b>There is "water flow" noise from inside the refrigerator</b>	<ul style="list-style-type: none"> <li>• It's a normal phenomenon, caused by the flow of refrigerant.</li> </ul>
<b>There are waterdrops around the refrigerator casing or door gap</b>	<ul style="list-style-type: none"> <li>• It's a normal phenomenon, the moisture will condense to water when it touches a cold surface of the refrigerator.</li> </ul>
<b>The compressor is slightly noisy when starting</b>	<ul style="list-style-type: none"> <li>• It's a normal phenomenon, the noise will be reduced after the compressor works stably.</li> </ul>
<b>Code F1 displayed</b>	<ul style="list-style-type: none"> <li>• Possible cause: low voltage to fridge. Adjust the battery protection from High to Medium or from Medium to Low.</li> </ul>
<b>Code F2 displayed</b>	<ul style="list-style-type: none"> <li>• Possible cause: condenser fan is overloaded. Disconnect power to fridge for 5 minutes &amp; re-start. If the code shows again, contact manufacturer for service.</li> </ul>
<b>Code F3 displayed</b>	<ul style="list-style-type: none"> <li>• Possible cause: the compressor starts too frequently. Disconnect power to fridge for 5 minutes &amp; re-start. If the code shows again, contact manufacturer for service.</li> </ul>
<b>Code F4 displayed</b>	<ul style="list-style-type: none"> <li>• Possible cause: compressor not kicking in. Disconnect power to fridge for 5 minutes &amp; re-start. If the code shows again, contact manufacturer for service.</li> </ul>
<b>Code F5 displayed</b>	<ul style="list-style-type: none"> <li>• Possible cause: overheating of the compressor &amp; electronics. Disconnect power to fridge for 5 minutes &amp; re-start. If the code shows again, contact manufacturer for service.</li> </ul>
<b>Code F6 displayed</b>	<ul style="list-style-type: none"> <li>• Possible cause: no parameter can be detected by the controller. Disconnect power to fridge for 5 minutes &amp; re-start. If the code shows again, contact manufacturer for service.</li> </ul>
<b>Code F7 or F8 displayed</b>	<ul style="list-style-type: none"> <li>• Possible cause: temperature sensor is faulty. Contact manufacturer for service.</li> </ul>



## TECHNICAL INFORMATION

MODEL	GH2094
RATED VOLTAGE	DC12/24V OR AC100~240V (USING DEDICATED ADAPTER)
RATED POWER	60W
TOTAL CAPACITY	24.1L
FREEZER AREA	20.6L
FRIDGE AREA	3.5L
NOISE	≤45dB
TEMPERATURE SETTING RANGE	-20~20°C (-4~68°F)
CLIMATE CATEGORY	T/ST/N/SN
DIMENSIONS (L*W*H)	697*367*351mm
NET WEIGHT	13.6kg

\*Due to product improvement, the technical information might be different from actual information, please refer to the rating label on the product.

## WARRANTY

Our product is guaranteed to be free from manufacturing defects for a period of 3 years. If your product becomes defective during this period, Electus Distribution will repair, replace, or refund where a product is faulty; or not fit for intended purpose.

This warranty will not cover modified product; misuse or abuse of the product contrary to user instructions or packaging label; change of mind and normal wear and tear.

Our goods come with guarantees that cannot be excluded under the Australian Consumer Law. You are entitled to a replacement or refund for a major failure and for compensation for any other reasonably foreseeable loss or damage. You are also entitled to have the goods repaired or replaced if the goods fail to be of acceptable quality and failure does not amount to a major failure.

To claim warranty, please contact the place of purchase. You will need to show receipt or other proof of purchase. Additional information may be required to process your claim.

Any expenses relating to the return of your product to the store will normally have to be paid by you.

The benefits to the customer given by this warranty are in addition to other rights and remedies of the Australian Consumer Law in relation to the goods or services to which this warranty relates.

Distributed by:

Electus Distribution

46 EASTERN CREEK DRIVE

EASTERN CREEK NSW 2766

Ph: 1300 738 555

Int'l: +61 2 8832 3200

Fax: 1300 738 500

[www.electusdistribution.com.au](http://www.electusdistribution.com.au)

Made in China