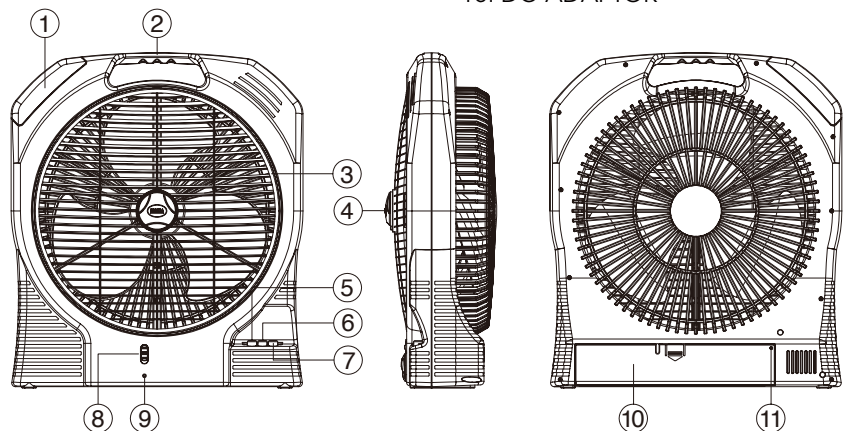
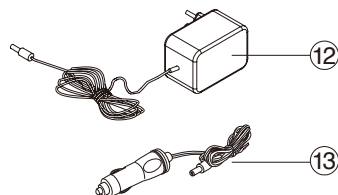


FEATURES :

1. LED LIGHT
2. HANDLE
3. ROTARY FAN COVER
4. FAN COVER ADJUST KNOB
5. FAN SPEED SELECTOR (STOP)
6. FAN SPEED SELECTOR (LOW)
7. FAN SPEED SELECTOR (HIGH)
8. LED LIGHT SELECTOR
9. CHARGING INDICATOR
10. BATTERY DOOR
11. BATTERY DOOR RELEASE SCREW
12. AC ADAPTOR
13. DC ADAPTOR



SPECIAL DEVICE WITH BATTERY DISCHARGE PROTECTOR



The lightning flash with arrowhead symbol, within an equilateral triangle, is intended to alert the user to the presence of uninsulated, "Dangerous Voltage" within the product's enclosure that may be of sufficient magnitude to constitute a risk of electric shock to persons.



The exclamation point within an equilateral triangle is intended to alert the user to the presence of important operating and maintenance (servicing) instructions in the literature accompanying the appliance.

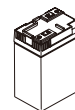
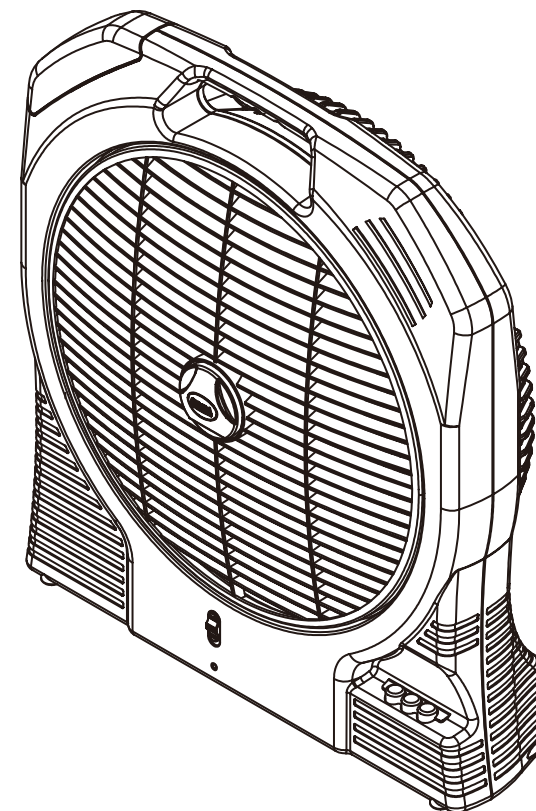
WARNING: TO REDUCE THE RISK OF FIRE OR ELECTRIC SHOCK, DO NOT EXPOSE THIS APPLIANCE TO RAIN OR MOISTURE.

Distributed by: TechBrands by Electus Distribution Pty. Ltd.
320 Victoria Rd, Rydalmere NSW 2116 Australia
Ph: 1300 738 555 Int'l: +61 2 8832 3200 Fax: 1300 738 500 www.techbrands.com
Made in China

KATABAT

AC/DC RECHARGEABLE FAN WITH LIGHT INSTRUCTION MANUAL

GH-1294



WARNING: REPLACEABLE AND RECHARGEABLE LEAD ACID 6V "C" TYPE BATTERY
PLEASE KEEP ALWAYS RECHARGE THE BATTERY WHEN FAN AND LIGHT POWER LOW.



IMPORTANT

1. Please read the instruction manual carefully before operate the rechargeable fan unit.
2. Make sure the electric rating of your home AC power supply before plugging in.
3. Please keep always recharging when light goes dim or recharge the fan when power low.
4. Make sure the appliance switches must be in "OFF" position when not in use.
5. The efficiency may decrease if used or (Light goes dim & power low of battery recharged) when temperature are below 32°F (0°C) or above 104°F (40°C).
6. Please keep out of reach of water or rain for properly use.

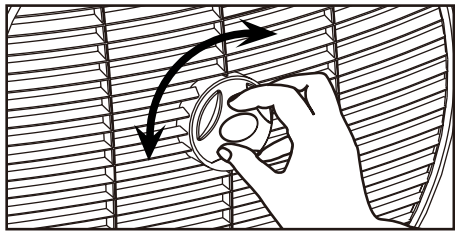


Figure 1

RECHARGEABLE FAN WITH HIGH-LOW SPEED

1. Place the fan High-Low Speed Press (No.7) in "HIGH" or press (No.6) "LOW" speed position to start the fan with high or low speed.
2. Pace the Press to "OFF" position to end the operation.
3. To adjust the fan cover speed, turn the Fan Cover Speed Adjust Knob (No.4) to adjust the desired speed level. (FIGURE 1)

LED LIGHT OF OPERATION

Place the LED light ON/OFF switch (No.8) in "ON" position, the LED will light up immediately. Push to "OFF" position to end the operation.

HOW TO REPLACE THE RECHARGEABLE BATTERY (FIGURE 2)

1. Release the battery cover screw (No.11) and open the battery cover.
2. Replace with new rechargeable battery and reassemble in reverse procedures.

WARNING: PLEASE DO NOT SHORT CIRCUITS WITH BATTERY CONTACT (+) & (-) OR PUT INTO FIRE. DO NOT USE OTHER THAN SPECIFIED BATTERIES FOR THIS RECHARGEABLE FAN EXCEPT ORIGINAL DESIGNED BATTERY.

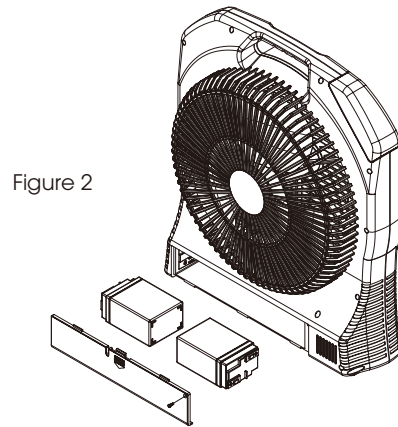


Figure 2

Note: Each unit contains one or two batteries. (optional)

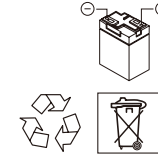
HOW TO RECHARGE THE BATTERY

Note : Before recharging, please make sure all the switches must be in "OFF" position.

1. Open the battery cover (No.10) and pull out the (AC or DC Adaptor) then plugging in AC power supply (wall socket).
2. Red charging indicator (No.9) lights up shows the rechargeable fan unit is under charging.
3. Normal charging time for maximum is approximately 12 hours.
4. The battery became slightly warm during charging, this is normal.

WARNING FOR THE RECHARGEABLE LEAD ACID BATTERY.

1. This Rechargeable Lantern is only applicable for charging the sealed Lead-Acid battery. Do not charge with different types or non-rechargeable batteries.
2. During using or recharging the lead-acid battery, the appliance must be placed in a well ventilated area.
3. The orientation of the lead-acid battery with regard to polarity battery contact (+) & (-). Do not short circuit or put into fire, avoid reverse charging.
4. Regarding safe disposal of used lead-acid batteries, insert the batteries into battery charger according to the lead-acid battery polarity. After use, charge the lead-acid battery at least 20 hours every time to achieve full charge condition.
5. Leaking lead-acid battery must be removed from the appliance carefully. The lead-acid battery must be recycled or disposed of properly.
- 6 The lead-acid battery must be removed from the appliance before it is scrapped.
- 7 The lead-acid battery is to be disposed of safely by putting into battery compartment with cover.
- 8 The appliance must be disconnected from power supply before removing the battery.



TECHNICAL SPECIFICATIONS

Input voltage.....	DC12V
Input Maximum Power.....	24W
Operating Temperature.....	0°C-40°C
Humidity	lower than 90%
Battery Spec.....	DC6V
Fan Motor.....	DC6V
Charging Time.....	12 Hours for "1 battery"
Duration Time:	
Fan (High Speed).....	apprx 2.5 Hours
Fan (Low Speed).....	apprx 3.5 Hours
LED Light.....	apprx 40 Hours
(If using "2 Battery" will be double of duration time)	
Light Specification:	
SMD LED Light x 10 pcs	

MAINTENANCE

Use a small cotton swab with cleaning alcohol to clean the plastics. Never use strong or volatile chemicals.

WARNING:

- A. To avoid an electrical shock, please do not open the rear cabinet (rechargeable fan) for repair or cleaning unless qualified person.
- B. If the supply cord is damaged, it must be replaced by the manufacturer or its service agent or a similarly qualified person in order to avoid a hazard.
- C. The appliance is not intended for use by persons (including children) with reduced physical, sensory or mental capabilities, or lack of experience and knowledge, unless they have been given supervision or instruction concerning use of the appliance by a person responsible for their safety.
- D. Children should be supervised to ensure that they do not play with the appliance.