



AM4215

USB RGB GAMING MICROPHONE



User Manual

CONTENTS

Warnings & Safety Information	3
Before First Use	3
Box Contents.....	3
Product Overview.....	4
Mounting the Microphone.....	5
Connecting to a Computer	5
Operating Instructions.....	6
Specifications	7
Warranty Information.....	8

WARNINGS & SAFETY INFORMATION

WARNING: The manufacturer is not responsible for any potential injury from misuse

Please ensure that you have read the product manual and instructions in full before using this product. Failure to do so may result in incorrect operation and potentially impact the performance of the product.

BEFORE FIRST USE

Prior to using your product, please read all the safety and operating instructions thoroughly. Please ensure you follow the steps below before using the product. We recommend you keep the original packaging for storing the product when not in use.

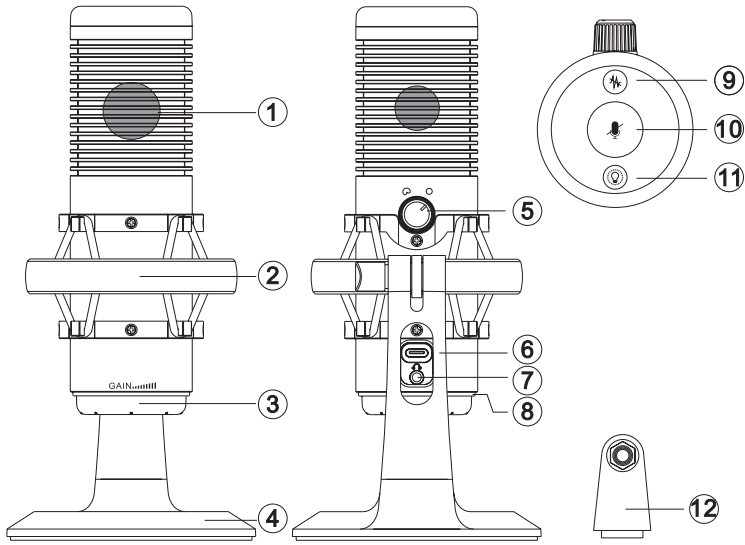
Please pay close attention to the section entitled Warnings & Safety Information. Find a safe and convenient place to keep this instruction manual for future reference.

Unpack the product but keep all packaging materials until you have made sure your new product is undamaged and in good working order. Ensure you have all accessories listed in this manual.

BOX CONTENTS

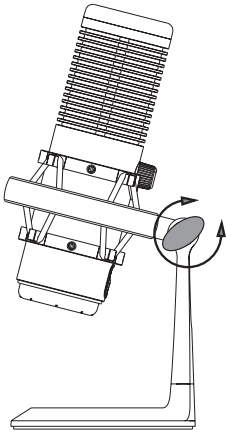
1x Microphone
1x USB-C to USB-A Cable
1x Mount Adapter
1x User Manual

PRODUCT OVERVIEW

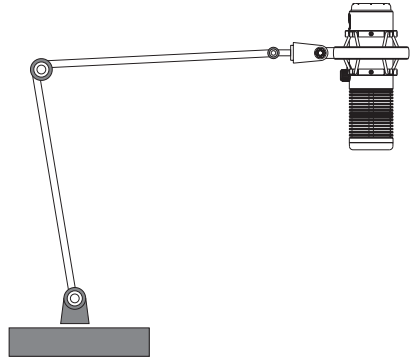


- | | |
|-----------------------|-------------------------|
| 1. Condenser Mic | 7. Earphone Port |
| 2. Anti-shock Mount | 8. LED Indicator Ring |
| 3. Volume Knob | 9. Noise Suppressor |
| 4. Stand Base | 10. Mute Button |
| 5. Polar Pattern Knob | 11. LED Lighting Button |
| 6. Type-C Port | 12. 3/8", 5/8" Adapter |

MOUNTING THE MICROPHONE



Adjust the angle of the microphone as required



The microphone can be mounted to a boom arm with the mount adapter supplied. (Note: Boom arm not included)

CONNECTING TO A COMPUTER

1. Plug the microphone into USB socket of a PC or Laptop.
2. Wait about one minute, the microphone will install automatically.
3. Check the device manager of your computer, to make sure this microphone is recognised by computer.
4. Set this product to current default in the recording & playback device.

OPERATING INSTRUCTIONS

Polar Pattern


Cardioid Mode: Suitable for individual calls, gaming, streaming, voice over, podcasting, ASMR, vlogging etc.

Omni Mode: Suitable for business calls, group streaming, group voice over, multi-person podcasting, group music recording etc.

Volume Control

Turn the volume knob to adjust the volume of recording as required.

Touch Switch

 Mute: Touch the key quickly to mute. LED indicator ring will change to red and other light will be turned off at the same time.

Noise Suppress: Touch the key one time, low environmental noise will be cancelled. The LED indicator ring will blink. Touch the key again to disable noise suppression.

Light Switch: Touch the key to loop switch different lighting mode.

Monitor Earphone

Ensure this product is selected in the playback device of computer. Plug in a headphone with 3.5mm port (headphone not included). Adjust the volume through the computer.

SPECIFICATIONS

Mic Type	Condenser x2
Sampling Rate	192kHz/24bit
Sensitivity	-38+/-3dB
S/N Ratio	>85dB
Polar Patterns	Cardioid/Omni
Working Voltage	5V
Working Current	150mA
Frequency Response:	20H2-20KHZ
Distortion	<2%
System Support	Windows/MacOS/Android/iOS

WARRANTY INFORMATION

Our product is guaranteed to be free from manufacturing defects for a period of 12 Months.

If your product becomes defective during this period, Electus Distribution will repair, replace, or refund where a product is faulty; or not fit for intended purpose.

This warranty will not cover modified product; misuse or abuse of the product contrary to user instructions or packaging label; change of mind and normal wear and tear.

Our goods come with guarantees that cannot be excluded under the Australian Consumer Law. You are entitled to a replacement or refund for a major failure and for compensation for any other reasonably foreseeable loss or damage. You are also entitled to have the goods repaired or replaced if the goods fail to be of acceptable quality and failure does not amount to a major failure.

To claim warranty, please contact the place of purchase. You will need to show receipt or other proof of purchase. Additional information may be required to process your claim.

Any expenses relating to the return of your product to the store will normally have to be paid by you.

The benefits to the customer given by this warranty are in addition to other rights and remedies of the Australian Consumer Law in relation to the goods or services to which this warranty relates.

This warranty is provided by:

Electus Distribution

Address 46 Eastern Creek Drive, Eastern Creek NSW 2766

Ph. 1300 738 555