

NEXTECH

AM4138

Wireless Lavalier Microphone Kit



Instruction Manual

Distributed by:
Electus Distribution Pty. Ltd.
320 Victoria Rd, Rydalmere, NSW 2116 Australia

www.electusdistribution.com.au

Made in China

Packing Contents



1. Wireless Receiver (R) x1
2. Wireless Transmitter (T) x1
3. Clip for Smartphone x1
4. Stabilizer x1
5. Tripod x1
6. Type – C charging cable x1

7. 3-Pin to 4-Pin audio converter x1
8. 3-Pin converter for Camcorder x1
9. Clip Mic x1

Operation Instructions

1. Power On:

Receiver(**R**): Press to power on, power indicator lighted.

Transmitter(**T**): Press & hold to power on, power indicator lighted.

2. Power Off: Press & hold to power off.

3. Volume control: Press "+"/"-" on the side of the transmitter to adjust volume.

4. Frequency Switch: Press both the Transmitter (T) volume buttons to switch frequency.

ID Locking Instructions

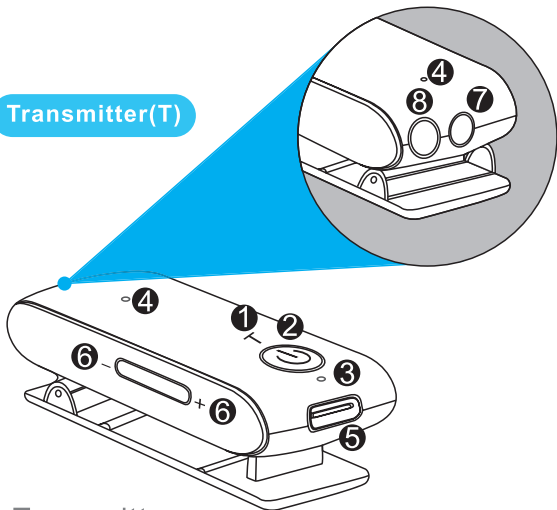
- Please follow the instructions below if you use replaced transmitter or receiver:

1. Press & hold the volume buttons (when the transmitter is powered on) till the power indicator flashes.
2. Power on the receiver and the signal indicator flashes 3 times, indicating that ID is locked. The ID can be unlocked by pressing one of the volume buttons on the transmitter.

Please repeat the above instructions if Locking ID fails.

Device Instructions

Transmitter(T)



1. Transmitter
2. Power Switch
3. Charging Indicator (lights up when charging, turns off when charged)

4. Power On Indicator
5. Charging Port (Please charge with 5V/1A adaptor)
6. Volume Control
7. MIC IN Input (1/8" jack for external mic)
8. Built-in Mic

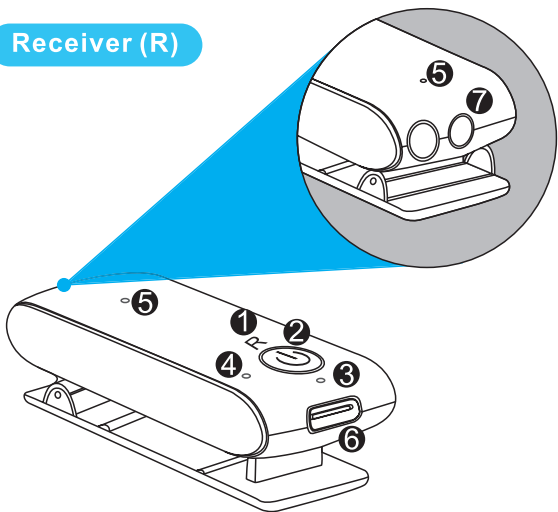
Built-in Mic



Connect External Mic



Receiver (R)



1. Receiver
2. Power Switch
3. Charging Indicator (lighted when charging, off when charged)

4. Signal Indicator
5. Power On Indicator
6. Charging Port (Please charge with 5V/1A adaptor)
7. Audio Output (1/8 "jack for connecting recording devices like phones & cameras)

A



B



How To Connect With DSLR Camera

- A. Plug the 3-Pin connector of the converter cable into the OUTPUT of the receiver.
- B. Plug the other 3-Pin connector of the same cable into the MIC IN of the camera.



A



B



How To Connect With Smartphone

- A. Plug the 3-Pin connector of the converter cable into the OUTPUT of the receiver.
- B. Plug the 4-Pin connector of the same cable to the MIC IN to the jack on your smartphone.



Caution

If your smartphone comes with a lightning or Type C port, please use the Apple Lightning to 3.5 mm Headphone Jack Adapter or 1/8 "jack to Type C converter.



WC7761



WC7930

The above 2 adaptors are not included.

Specifications

Product Name	Wireless Microphone
Cartridge	Condenser
Polar Pattern	Omni directional
Frequency Response	50 Hz – 18 kHz
Impedence	500Ω
S/N	70dB
Working Distance (In Sight)	30m ± 3m
Charging Time	1.5h
Battery Capacity	350mA
Charging Power	5V/1A

Guidelines

1. Please DO NOT open the device by yourself.
2. Only authorised technicians are permitted to replace the built-in battery.
3. Please DO NOT change or connect with another antenna with the device.
4. Please DO NOT place the device under the sun or similar environment for risk of overheating.
5. The device is not waterproof, please DO NOT submerge under water.
6. Please clean it with a clean dry cloth only.
7. The warranty will be invalid if any damage occurs as a result of failing to follow the above instructions.