

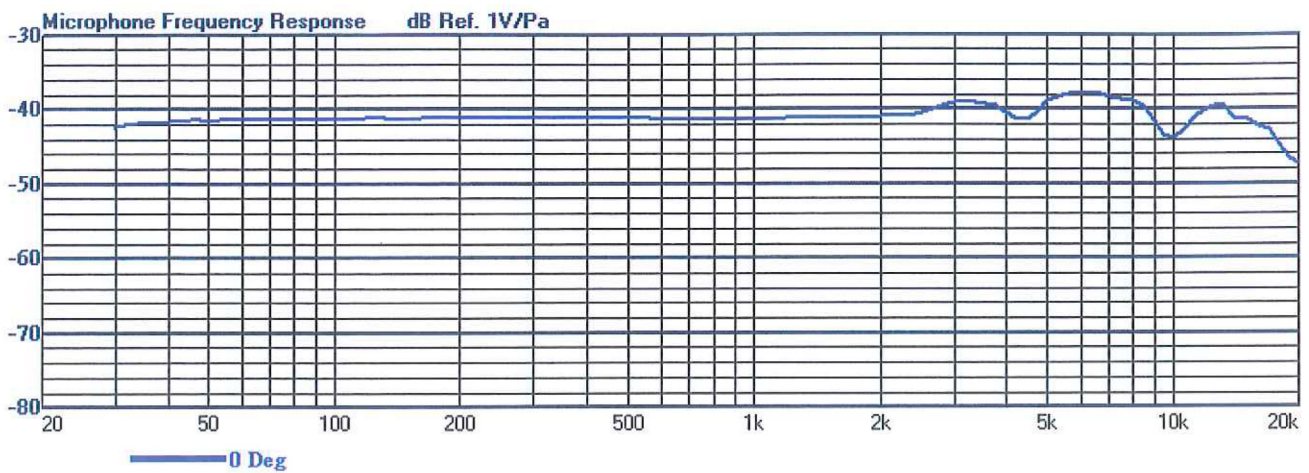
Specifications

Part Name : Condenser Microphone

Model No. : AM4092

1、Type	Electrets condenser microphone
2、COLOR	Black
3、Sensitivity	-67dB \pm 3dB(0 dB=1 μ bar , at 1KHz)
4、Impedance	1K Ohm
5、Directivity	Omni-directional
6、frequency Response	20 ~16Khz
7. Inspection conditions	In normal temperature 5~35°C and normal humidity 45~85%
8、Cord	Cord 2.0 ϕ 2.1M nickel 3.5 ϕ Mono plug
9、Net Weight	45g w/o packaging
10、Dimensions	As attached.

X : 1000 Hz
Y : -41.4 dBV/Pa
Y : -39.2 dBm/Pa
D : 0.0 dB



Source Level : 0.1 Pa Vs : 1.5V R : 2.2KΩ Measure Distance : 50 cm
2007/05/09 15:21:15 Test Instruments : Bruel & Kjaer 2012 & 9640



Microphone Directional Characteristic

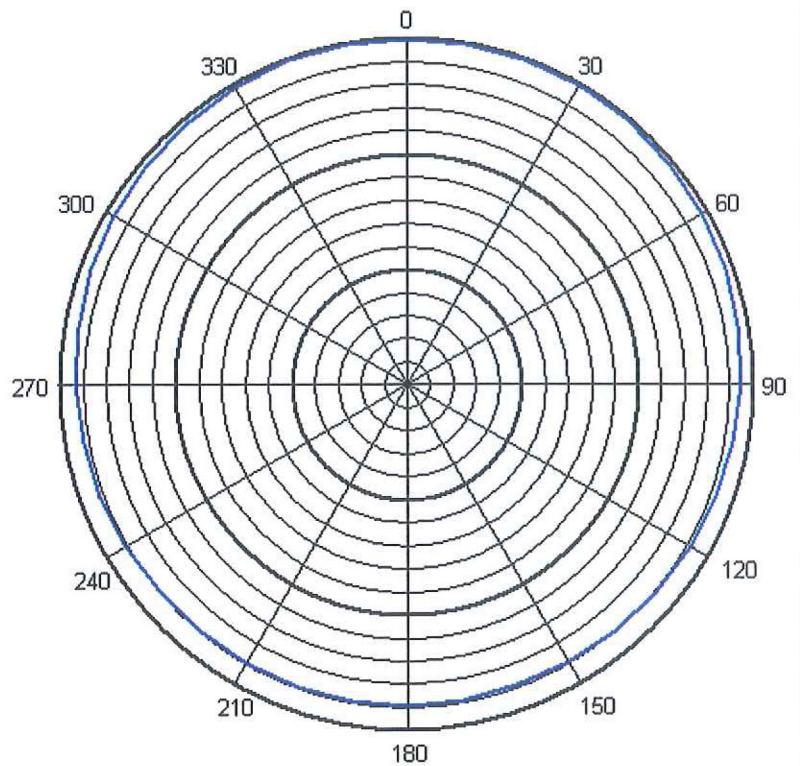
Type : EM-090 TS-34A

Top Level : -41.1 dB

Range : 30 dB

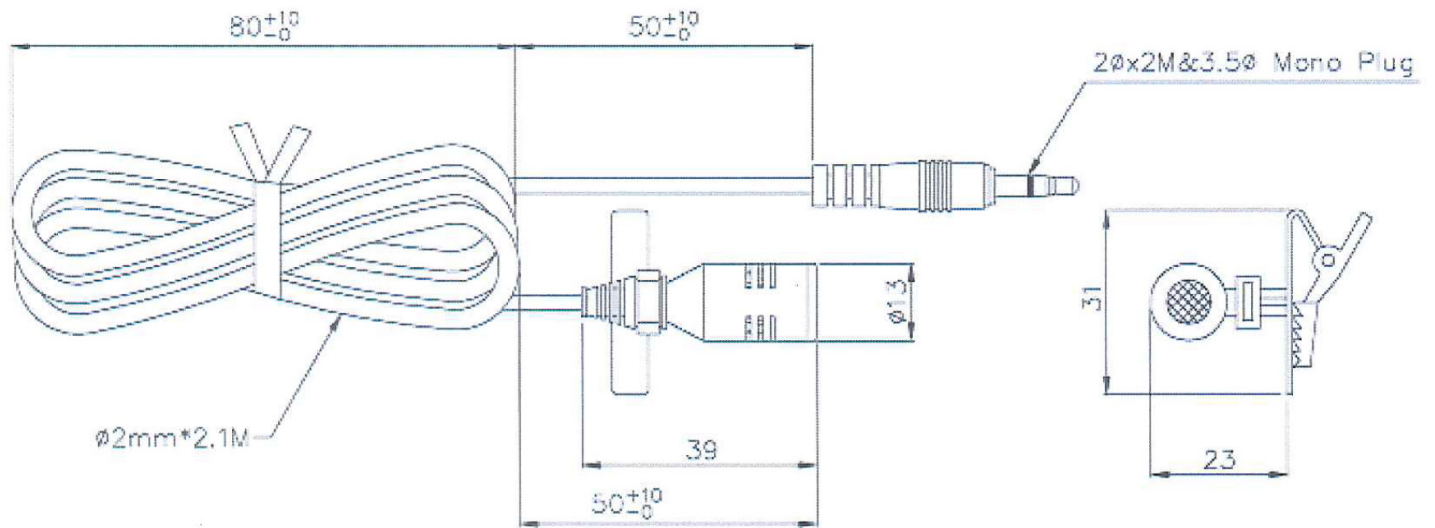
Frequency : 1000 Hz

Source Level : 0.1 Pa



Measure Distance : 50 cm
Test Instrument : Bruel & Kjaer 2012 & 9640





Distributed by:
 Electus Distribution Pty Ltd
 46 Eastern Creek Dr,
 Eastern Creek NSW 2766 Australia
 1300 738 555 | electusdistribution.com.au

Made in China