

**digitech**

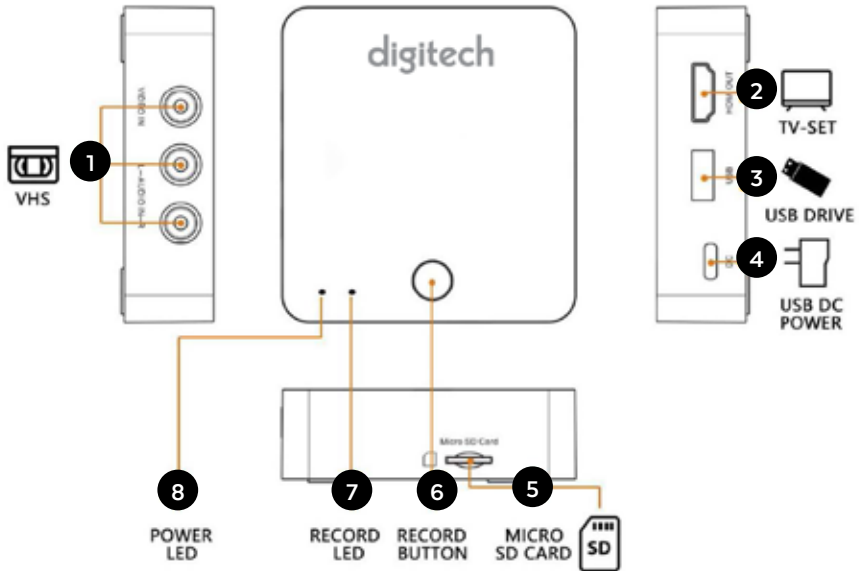
# RCA to USB/microSD Video Recorder



Model:  
**AC1792**

# Instruction Manual

## PRODUCT DIAGRAM:



1	Video Audio In	RCA Composite video and L/R audio input from video source device such as VHS. Yellow = video, white = audio left channel, red = audio right channel. (The video source device should include the video cable, usually it is the 3RCA to 3RCA male cable or 3.5mm to 3RCA male video cable)
2	HDMI Out	Connect to TV or monitor to display video with HDMI Cable. (HDMI Cable is not included.)
3	USB	Plug USB drive to save recorded video files. (Supports up to 64GB)
4	DC	Connect to 5V DC power with USB-C to USB-A cable. (Wall power adapter is not included)
5	Micro SD card	Plug Micro SD card to save recorded files. (Supports up to 64GB)
6	Record Button	Press to record video, press again to stop and save file.
7	REC LED	The red recording (REC) LED will flash for a few seconds when the USB drive or Micro SD card is inserted, once the LED remains the USB drive or Micro SD card is ready. The LED will flash while recording. The LED will switch off for a few seconds and then remain lit when recording has stopped. If you remove the USB drive or Micro SD card, the LED will switch off.
8	PWR LED	The green power (PWR) LED will flash for a few seconds after connecting power, then stays green. Note: Please do not plug USB drive and Micro SD card at the same time. AC1792 will only support FAT32 and NTFS formats, exFAT is not supported.

## OPERATING INSTRUCTIONS:

### Record Video

Please preview the video on a TV or monitor. When all connections are ready, press the RECORD button to record the video, then the REC red LED will flash, this means it is recording. Press the RECORD button again to stop recording, the LED will stop flashing for several seconds then flash again, this means the recorded video has been saved to the Micro SD card or USB drive.

Note: If the recording does not start after you press the RECORD button, verify the following. The input video source is disconnected. The USB drive or Micro SD card is not connected properly and/or formatted to exFAT (NOT SUPPORTED), not compatible (maximum capacity 64GB) or out of storage.

### Recorded Files

You can remove the USB drive or Micro SD card and connect to your computer to check the recorded video files after you stopped recording. The file names will start at Encode\_1.mp4.

Every recording will create a different file: Encode\_1, Encode\_2, Encode\_3 etc.

The maximum size per file will be around 1.95GB (NTSC: 1.6GB, PAL: 1.95GB), when you record a video larger than 1.95GB, AC1792 will partition larger files to more than one file, for example: If you record an extremely long video you will see 2-3 files: Encode\_1.mp4, Encode\_1\_1.mp4, Encode\_1\_2.mp4 etc.

After extended use, the file name will become longer. To reset the file names back to Encode\_0, you just press and hold the RECORD button before powering on AC1792, then plug the USB-C power cable in to power on the device, after 3 seconds, AC1792 will be reset.

Note: If there are any errors in the recording like skipping, audio out of sync etc. It may be due to an incorrectly formatted storage device or it can also be caused when a device is not safely removed- corrupting files. You should also format the storage device to FAT32 if the problem persists.

### Firmware Update

To update the firmware: Unplug the USB-C power cable to power off the device. Copy the firmware file in to USB drive or Micro SD card, and plug it to device. Plug the USB-C power cable to power on, the green LED will flash a few seconds, once the green LED stops flashing and remains solid it means the updating is finished.

## SPECIFICATIONS

<b>Inputs</b>	Composite RCA, USB, microSD
<b>Outputs</b>	HDMI
<b>Supported Resolution</b>	720 x 576 (PAL) / 720 x 480 (NTSC)
<b>Video Format</b>	MP4
<b>Recording Time</b>	15.3MB (per minute) / 920MB (per hour)
<b>USB/microSD Capacity</b>	Up to 64GB
<b>Power</b>	5VDC, 2A (USB-C)
<b>Dimensions</b>	81(W) x 76(D) x 25(H)mm

Distributed by:  
Electus Distribution Pty Ltd  
46 Eastern Creek Dr,  
Eastern Creek NSW 2766 Australia  
Ph 1300 738 555  
Int'l +61 2 8832 3200  
Fax 1300 738 500

[www.electusdistribution.com.au](http://www.electusdistribution.com.au)

Made in China