

HYPERIAN

Holds Most
Phones

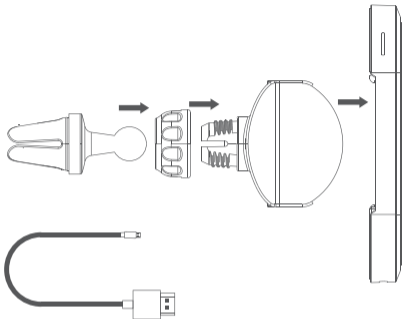
Clips Onto
Air Vent

Qi

5W & 10W*
Charge



BOX CONTENTS



Note: This product universally supports two modes of wireless charging:

1. Fast Wireless Charging (Output 10W)
Works with devices that support fast wireless charging, such as Samsung Galaxy S9, S9+, S8, S8+, S7, S7 Edge, S6 Edge +, Note 8, Note 5 etc.
 - For Fast Charge mode, use a USB Quick Charge Adapter QC 2.0/3.0 (Sold Separately) or Samsung original fast charger as a power source.
2. Standard wireless charging.

SUPPORTED DEVICES

SAMSUNG

Galaxy: S9, S9+, Note 8, S8, S8+, S7, S7 Edge, Note 5, S6, S6 Edge

NOKIA

Lumia 822, Lumia 830, Lumia 735, Lumia 920, Lumia 929, Lumia 820, Lumia 1020, Lumia 1520

HTC

HTC Droid DNA, HTC 8X, Incredible 4G LTE/Butterfly, One Mini 2 One M8 Eye, One E9, Butterfly 3

GOOGLE

Nexus: 4, 5, 6, 7

LG

G2, G3, G pro, G5, G5+, G6, G6+, V30

SONY

Z3V, Z4V

MOTO

droid5

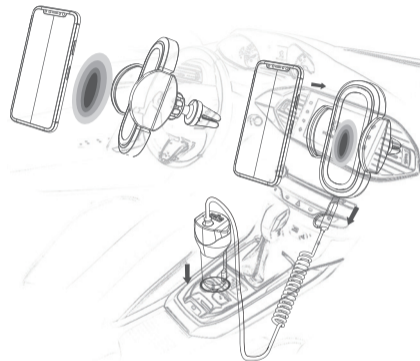
APPLE

iPhone: 8, 8 Plus, X

Huawei

P11

IN-CAR WIRELESS CHARGING



1. Mount charging pad with vent holder on to the AC vent. Right above the vent control knob is most suitable spot for installation.
2. Insert USB cable into the Micro-USB slot at the bottom of the charging pad.
3. Insert other end of USB cable into a USB power source in car [car charger (not supplied) or USB power socket] Power indicator turns ON with device connected.

Fast Wireless
Qi In-Car Charger
Phone Mount With Qi Charger

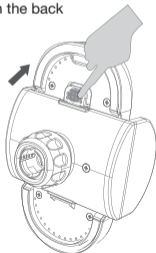
CHARGING MADE EASY

Notes

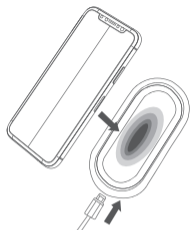
1. Do not drop or throw purposely.
2. Do not disassemble or throw into fire or water, to avoid causing a short circuit leakage.
3. Do not use wireless charger in severely hot, humid or corrosive environments.
4. Do not place too close to magnetic strip or chip card (ID card, bank cards etc) to avoid magnetic failure.
5. Please keep the distance at least 20cm between implantable medical devices (pacemakers, implantable cochlear, etc) and the wireless charger, to avoid potential interference with the medical device.
6. Keep away from children, not a toy.

HOW TO RELEASE

Press the button on the back of the charger.

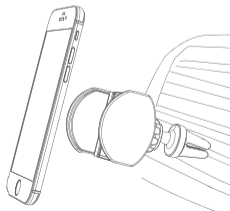


WIRELESS CHARGING



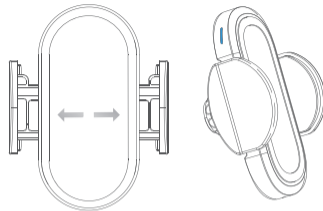
CAR HOLDER

Used on the car as a phone holder.



Car holder supports phones 55-90mm wide.

CAR HOLDER & WIRELESS CHARGING



1. Check the charging indicator light, it should be solid and continue to stay ON.
 2. Put the phone with wireless charging function into the wireless charger, push the elastic clamp until the phone is firmly fixed. The phone will charge when the indicator light turns ON.
- If your mobile phone doesn't support wireless charging, you still can fix the phone onto the holder and connect the USB power cable directly to your phone for charging.

Specifications

Input: 5VDC @ 2A, 9VDC @ 1.7A
Qi Frequency: 110~205kHz
Charging Efficiency: ≥83%
Charging Distance: ≤10mm

TROUBLESHOOTING

Phone not charging

1. Restart Your phone
2. Hard Reset Your phone
3. Take Off Your phone Case
4. Place Your phone In The Center Of The Charging Pad
5. Make Sure Your Wireless Charger Is Plugged In
6. Make sure phone is Qi wireless charging enabled, else use Qi receiver
7. Update Your Phone (latest IOS, Android etc.)
8. DFU Restore Your Phone

Distributed by:
Electus Distribution Pty. Ltd.
320 Victoria Rd, Rydalmere
NSW 2116 Australia
hyperian.net.au
Made in China