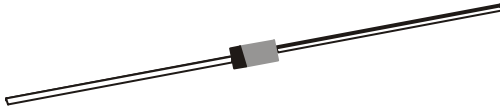


**HIGH SPEED SILICON SWITCHING DIODE**

**1N4148, 1N4448**

**DO- 35  
Glass Axial Package**



General purpose ,Industrial, Military and space applications. Hermetically sealed glass with a stud on either side of the glass passivated chip provides excellent stability. Extremely low leakage & very high reliability

**ABSOLUTE MAXIMUM RATINGS (T<sub>a</sub>=25°C)**

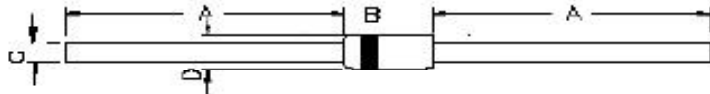
DESCRIPTION	SYMBOL	VALUE	UNIT
Repetitive Peak Reverse Voltage	V <sub>RRM</sub>	100	V
Continuous Reverse Voltage	V <sub>R</sub>	75	V
Average Forward Current	I <sub>F(AV)</sub>	150	mA
Forward Current (DC)	I <sub>F</sub>	200	mA
Repetitive Peak Forward Current	I <sub>FRM</sub>	450	mA
Non Repetitive Peak Surge Current			
tp= 1ms	I <sub>FSM</sub>	2000	mA
tp= 1sec	I <sub>FSM</sub>	500	mA
Power Dissipation	P <sub>TA</sub>	500	mW
Derating Factor		2.85	mW/ °C
Operating and Storage Junction Temperature Range	T <sub>j</sub> , T <sub>stg</sub>	- 65 to +200	°C

**ELECTRICAL CHARACTERISTICS (T<sub>a</sub>=25°C unless specified otherwise)**

DESCRIPTION	SYMBOL	TEST CONDITION	MIN	MAX	UNIT
Forward Voltage	V <sub>F</sub>	I <sub>F</sub> =5mA 1N4448	0.62	0.72	V
		I <sub>F</sub> =10mA 1N4148		1.0	V
		I <sub>F</sub> =100mA 1N4448		1.0	V
Reverse Current	I <sub>R</sub>	V <sub>R</sub> =20V		25	nA
		V <sub>R</sub> =75V		5.0	mA
		V <sub>R</sub> =20V, T <sub>j</sub> =150°C		50	mA
		V <sub>R</sub> =75V, T <sub>j</sub> =150°C		100	mA
Reverse Breakdown Voltage	V <sub>BR</sub>	I <sub>R</sub> =100mA	100		V
		I <sub>R</sub> =5mA	75		V
<b>DYNAMIC CHARACTERISTICS</b>					
Diode Capacitance	C <sub>d</sub>	V <sub>R</sub> =0V, f=1MHz		4.0	pF
Forward Recovery Voltage	V <sub>fr</sub>	When Switched from I <sub>F</sub> =50mA, t <sub>r</sub> =20ns		2.5	V
Reverse Recovery Time	t <sub>rr</sub>	I <sub>F</sub> =10mA, to I <sub>R</sub> =60mA, R <sub>L</sub> =100W Measured at I <sub>R</sub> =1mA		4.0	ns

1N4148\_4448 rev 1\_010312

DO-35 Glass Axial Package



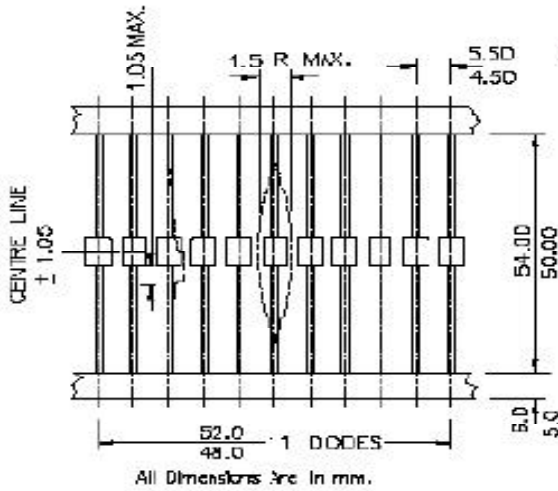
NOTES:-

Cathode is marked by Band.  
All Dimensions Are in mm.

DO-35  
Glass Axial Package

Dim	Min (mm)	Max (mm)
A	27.5	-
B	-	3.9
C	-	0.5
D	-	1.9

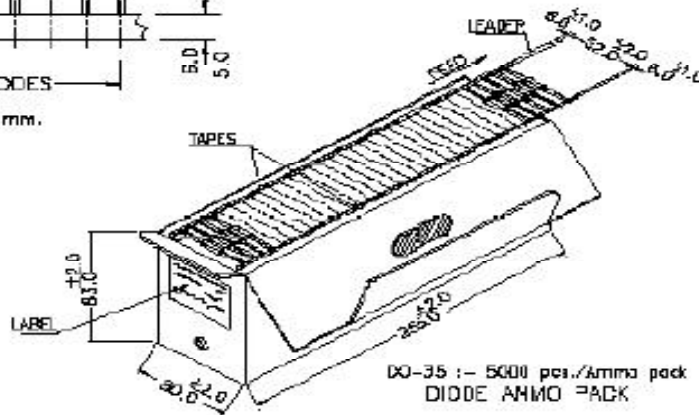
DO-35 52mm Taping Specification



All Dimensions Are in mm.

52mm Taping Specification

1. T & A indicates Axial Tape & Ammo packing (52 mm Tape Spacing)
2. 300 mm (min) leader tape on every spool.
3. No. of empty places allowed 0.25% without consecutive empty places.
4. Ends of leads shall preferably not protrude beyond the tapes.
5. Components shall be held sufficiently in the tape or tapes so that they can not come free in normal handling.



on request also available in 26mm Tape and Ammo Pack

Packing Detail

PACKAGE	STANDARD PACK		INNER CARTON BOX		OUTER CARTON BOX		
	Details	Net Weight/Qty	Size	Qty	Size	Qty	Qty
DO-35 T&A	5K/ammo box	0.88kg/5K pcs	10"X3.5"X3.5"	5.0K	12.7"X12.7"X20"	125.0K	25Kgs



Continental Device India Limited

An ISO/TS 16949 and ISO 14001 Certified Manufacturer



## Customer Notes

**1N4148, 1N4448**

**DO- 35  
Glass Axial Package**

1N4148\_4448 rev 1\_010312

## Disclaimer

The product information and the selection guides facilitate selection of the CDIL's Semiconductor Device(s) best suited for application in your product(s) as per your requirement. It is recommended that you completely review our Data Sheet(s) so as to confirm that the Device(s) meet functionality parameters for your application. The information furnished in the Data Sheet and on the CDIL Web Site/CD are believed to be accurate and reliable. CDIL however, does not assume responsibility for inaccuracies or incomplete information. Furthermore, CDIL does not assume liability whatsoever, arising out of the application or use of any CDIL product; neither does it convey any license under its patent rights nor rights of others. These products are not designed for use in life saving/support appliances or systems. CDIL customers selling these products (either as individual Semiconductor Devices or incorporated in their end products), in any life saving/support appliances or systems or applications do so at their own risk and CDIL will not be responsible for any damages resulting from such sale(s).

CDIL strives for continuous improvement and reserves the right to change the specifications of its products without prior notice.



CDIL is a registered Trademark of  
Continental Device India Limited

C-120 Naraina Industrial Area, New Delhi 110 028, India.  
Telephone + 91-11-2579 6150, 4141 1112 Fax + 91-11-2579 5290, 4141 1119  
e-mail@cdil.com www.cdil.com