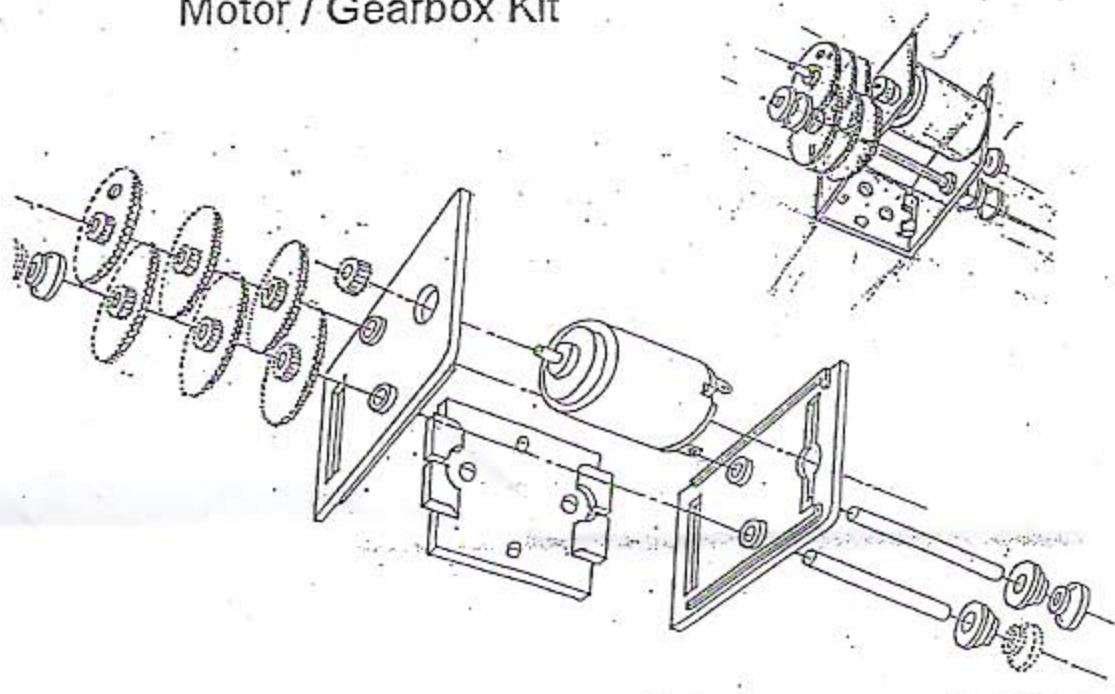


# Motor / Gearbox Kit



## Reducing Speeds Gears

3 R.P.M

3V motor 12000 R.P.M

Each steps R.P.M.

1st Step  $12000\text{rpm} \times 12\text{T}/48\text{T} = 3000\text{rpm}$

2nd Step  $3000\text{rpm} \times 12\text{T}/48\text{T} = 750\text{rpm}$

3rd Step  $750\text{rpm} \times 12\text{T} \times 48\text{T} = 187.5\text{rpm}$

4th Step  $187.5\text{rpm} \times 12\text{T}/48\text{T} = 46.875\text{rpm}$

5th Step  $46.875 \times 12\text{T}/48\text{T} = 11.72\text{rpm}$

6th Step  $11.72\text{rpm} \times 12\text{T}/48\text{T} = 2.93\text{rpm}$

