

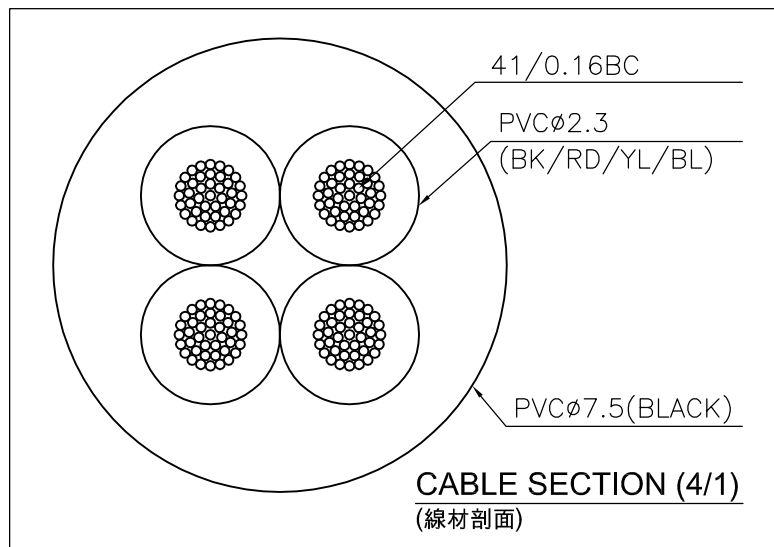
1 2 3 4 5 6 7 8

REVISIONS		
ISS	ZONE	DESCRIPTION\PER REQUEST\DATE
V	OPEN	對客戶公開圖紙
	OPEN	對供應商公開圖紙
	CLOSED	僅限廠內使用

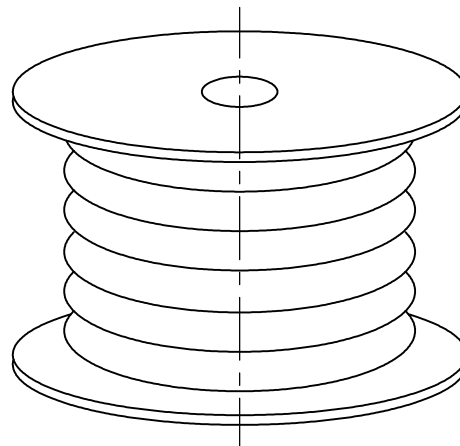


RESPONSE WB-1762

CABLE NO.: 3070700023-403-100M
(1070700023)



PLASTIC SPOOL



100M / SPOOL

Note(備註):

- Barcode Label Size: 70x70 mm, stick on the cable.
(條碼標貼尺寸:70x70mm,貼置於線材上)

★ 請不要貼於軸上!!

WB1762

(01)09319236947647(37)000100

CABLE SPKR 4CORE RND FLEX 100M RLGTH

Qty: **100**

Customer Item No.: WB-1762 "澳洲JO"專用

MATERIAL	APPROVED DATE 2016-03-07	<table border="1" style="width: 100%;"> <tr> <td>3rd ANGLE PROJECTION</td> <td>SCALE</td> <td>2/1</td> <td>TOLERANCE</td> <td>±0.1</td> </tr> <tr> <td></td> <td>UNITS</td> <td>mm</td> <td>ANGLES</td> <td>±5°</td> </tr> </table>				3rd ANGLE PROJECTION	SCALE	2/1	TOLERANCE	±0.1		UNITS	mm	ANGLES	±5°
	3rd ANGLE PROJECTION					SCALE	2/1	TOLERANCE	±0.1						
						UNITS	mm	ANGLES	±5°						
CHECKED DATE 2016-03-07															
DRAWN 吳碧珊 DATE 2016-03-07	FILE NO. D:\CAD\線材系列\5506010128_18AWGx4C Speaker cable_CA001A1														
FINISH	ERP LINK: 5506010128	PART NO. 18AWGx4C Speaker cable (喇叭線)	REV. A1												

1 2 3 4 5 6 7 8

F

F

E

E

D

D

C

C

B

B

A

A