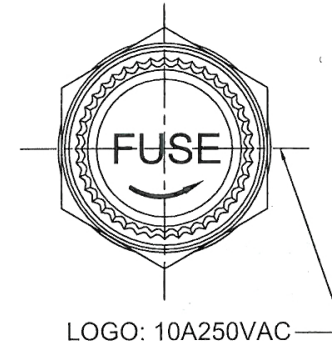
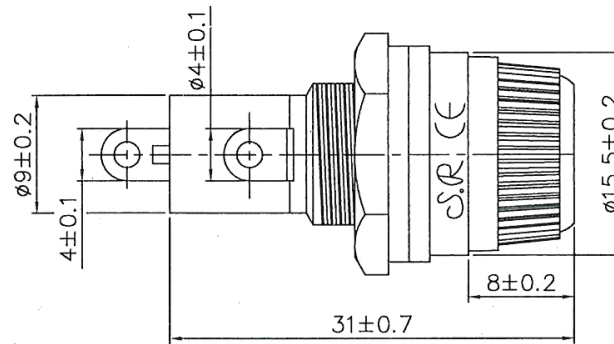
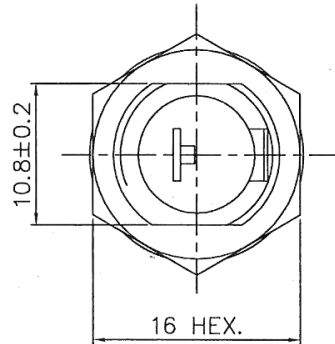
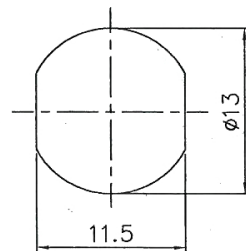


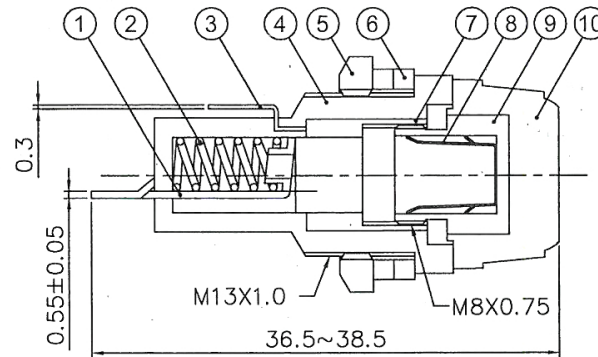
REVISIONS		
ISS	ZONE	DESCRIPTION\PER REQUEST\DATE
A6	B-5	更新圖框, 37~39±1總長尺寸修改, 刪除多餘尺寸
V	OPEN	對客戶公開圖紙
	OPEN	對供應商公開圖紙
	CLOSED	僅限廠內使用



LOGO: 10A250VAC



RECOMMENDED MOUNTING HOLE  
(建議架設孔)



Note(備註):  
1. Apply to Ø5.2x20 fuse tube  
(適用於Ø5.2x20保險絲管)

NO.	DESCRIPTION	MATERIAL	FINISH	Q'TY	DRAWING NO.
10	後蓋(BACK COVER)	BAKELITE	黑色(BLACK)	1	
9	嵌螺母(INNER NUT)	H59-1	鍍鎳(NICKEL)	1	
8	彈片(SPRING)	H62	鍍鎳(NICKEL)	1	
7	嵌螺母(INNER NUT)	H59-1	鍍鎳(NICKEL)	1	
6	墊圈(WASHER)	PE	白色(WHITE)	2	
5	六角螺母(HEX. NUT)	ZZnAl4-1	鍍鎳(NICKEL)	1	
4	本體(BODY)	BAKELITE	黑色(BLACK)	1	
3	端子(TERMINAL)	H62	鍍鎳(NICKEL)	1	
2	彈簧(SPRING)	70#	鍍鎳(NICKEL)	1	
1	端子(TERMINAL)	H62	鍍鎳(NICKEL)	1	

DIMENSIONS ARE IN MILLIMETERS UNLESS OTHERWISE SPECIFIED TOLERANCES ANGLES = ±5° UP TO 6 = ±0.2 6-40 = ±0.4 40-120 = ±0.6 120-315 = ±1 ABOVE 315 = ±1.6	APPROVED 許立朋 DATE 2019.12.13 CHECKED 許立朋 DATE 2019.12.13 DRAWN 孫勤 DATE 2019-12-12 FILE NO. D:\CAD\SF15120010002_SF372S_CA001A6
THIRD_ANGLE 2/1	ERP LINK: 5120010002

TITLE 10A 250VAC M205 Panel Mount Fuse Holder	PART NO. SF372S	REV. A6
--	-----------------	---------