

Solid State Relay

KSJ30 Series Single Phase DC Output

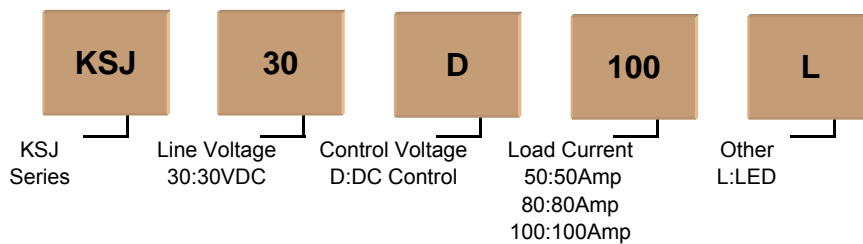


- MOSFET output
- Rating 50A,80A,100A @30VDC
- Low on impedance
- 4-32VDC control input
- Dielectric strength $\geq 4000Vrms$
- Opto-isolation
- LED indication
- RoHS compliant

Product Description

KSJ50 series is single-phase DC output printed board mounted solid state relay. Control voltage is 4-32VDC, load voltage is 0-30VDC, output current is 50A,80A,100A. Photoelectric isolation between input and output, dielectric strength $\geq 4000VACrms$.

Product Selection



Description	50A	80A	100A
D:4-32VDC	KSJ30D50	KSJ30D80	KSJ30D100
	KSJ30D50-L	KSJ30D80-L	KSJ30D100-L

Technical Specification

Input Circuit

Control Voltage Range	4-32VDC
Minimum Turn-On Voltage	4VDC
Minimum Turn-Off Voltage	1VDC
Maximum Input Current	28mA@32VDC
Maximum Reverse Voltage	32VDC

Output Circuit

Line Voltage Range	0-30VDC	
Load Current Range	50A	0.02 - 50A
	80A	0.02 - 80A
	100A	0.02 - 100A

Maximum Surge Current (@10ms)	50A	100A
	80A	200A
	100A	260A
Maximum Turn-On Time	1mS	
Maximum Turn-Off Time	500 μ S	
Maximum Off-State Leakage Current [@ Rated Voltage]	0.1mA	
Maximum On-State Voltage Drop [@ Rated Current]	0.60V	

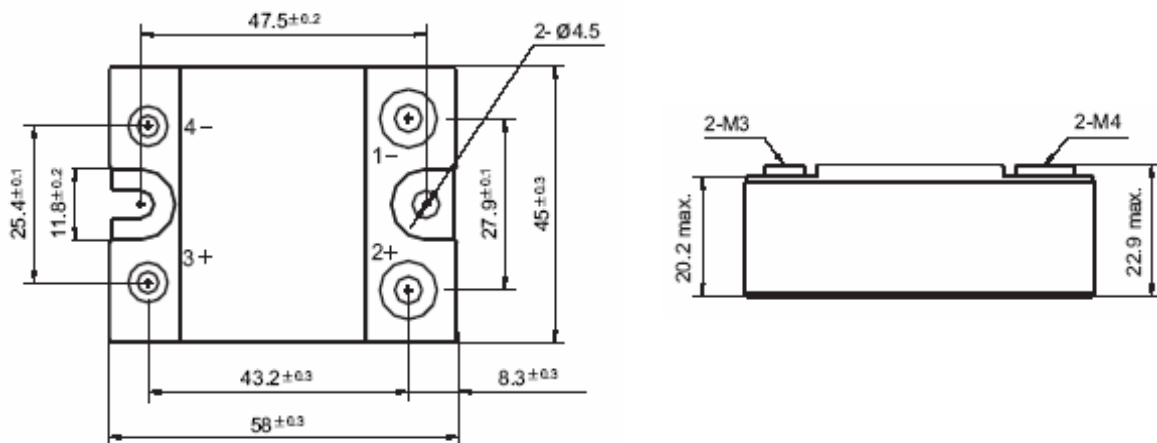
General Information

Dielectric Strength, Input/Output/Base (50/60Hz)	≥ 4000 Vrms
Ambient Operating Temperature Range	-40 $^{\circ}$ C ~ +80 $^{\circ}$ C
Ambient Storage Temperature Range	-40 $^{\circ}$ C ~ +100 $^{\circ}$ C
Weight (typical)	85g

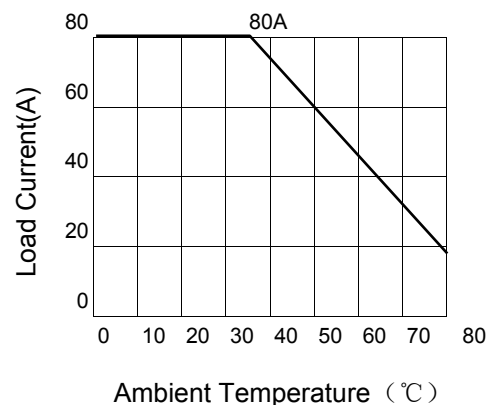
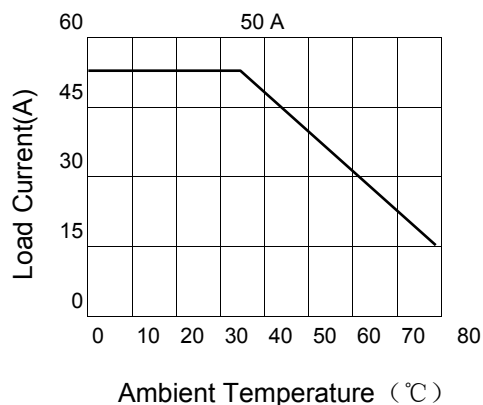
Application

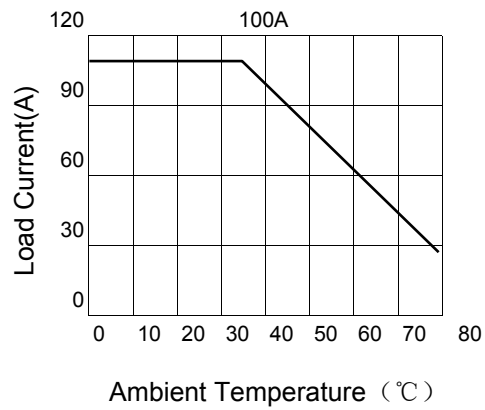
Suitable for DC heating, DC power, DC valve, DC motor, solar energy and so on.

Installation



Thermal Curve





Important Notice

1. Suppression circuit will be added when used for inductive load.
2. Control polarity shall be correct, or may damage the product.
3. Load current performance will decline when the ambient temperature is over 40°C.

Product Certification



LKK DC SOLID STATE RELAY-SSR-D30100D(SSR-D06100D)



Features

- Photo isolation
- Can provide the transparent protective cover
- 4000V dielectric strength
- MOS output
- Environmental friendly product(RoHS compliant)
- Outline:57.4mm×45.7mm×23mm

INPUT(TA=25°C)

Control voltage range	3-32VDC
Must operate voltage	3VDC
Must release voltage	0.1VDC
TYP input current	12mA
Max input current	15mA
Max. reverse voltage	-32VDC

GENERAL(TA=25°C)

Dielectric strength	4000V(Input/Output) 2500V(Input/Output/Base)
Insulation resistance	1000MΩ(500VDC)
Operating temp.	-30°C~80°C
Storage temp.	-30°C~100°C
Unit weight	Approx. 110g

OUTPUT(TA=25°C)

Load voltage	5-60VDC
Max transient voltage	60Vpk
Max off-state leakage current	1mA
Max off-state volage drop	0.8Vrms(Type C)/1.8Vrms
Load current	100A

Max surge current	300A(10ms) 300% Rated current
Min power factor	0.5
Max turn-on time	1ms
Max turn-off time	2ms

OUTLINE DIMENSIONS (Unit:mm)

