
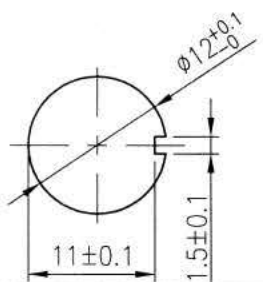
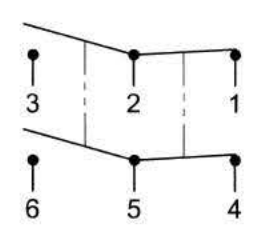
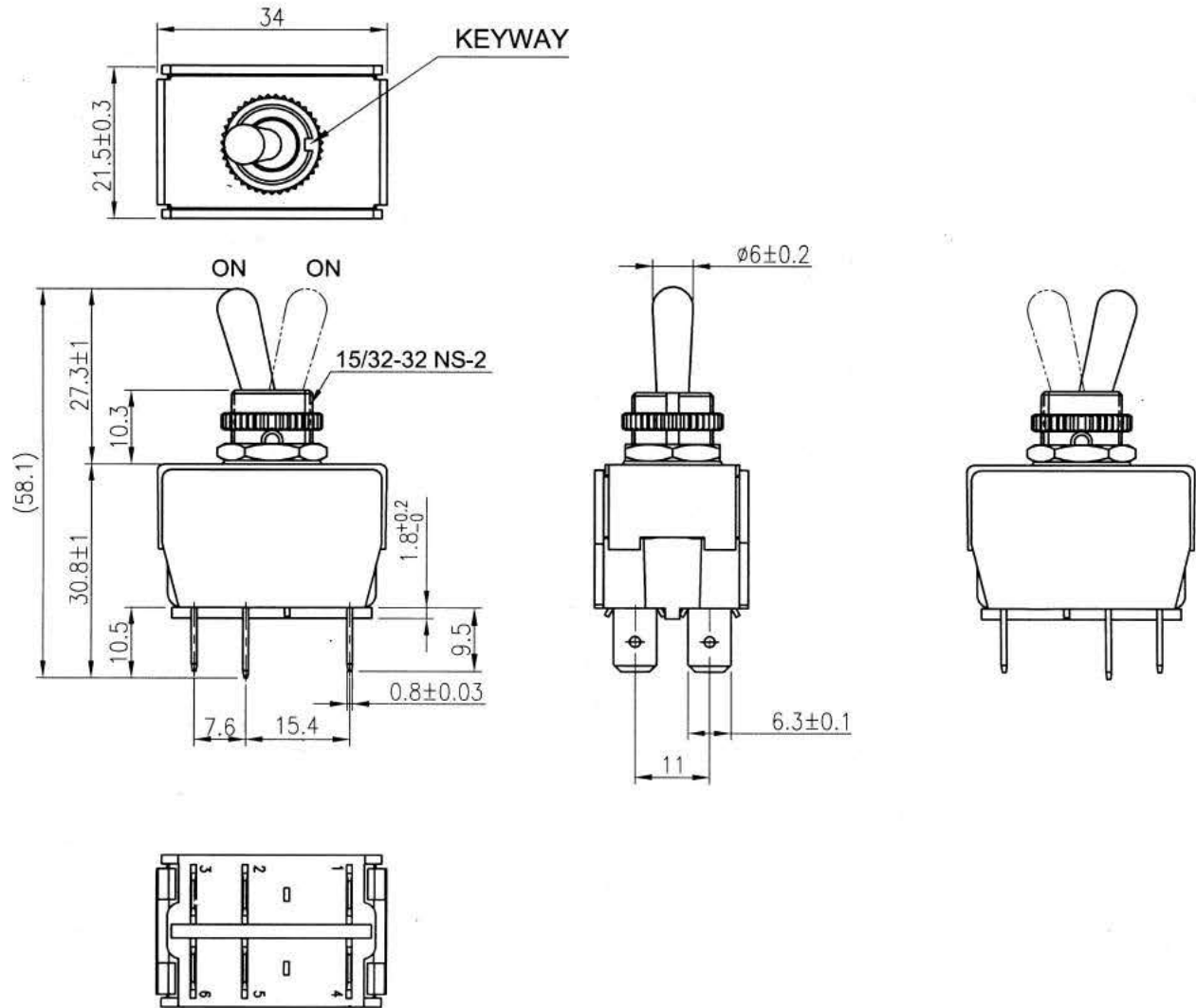


Rating	12(4)A 250V AC 	Mounting Hole	Circuit Diagram
	16A 277V ac, 1HP 277V ac 1/2 HP 125V ac		
Contact Resistance	50m ohm Max.		
Insulation Resistance	DC 500V 100M ohm Min.		
Dielectric Strength	AC 1500V 1 minute		
Operation Temperature	0°C~85°C		
Switch Function	6P DPDT ON-ON		

Water proof and dust proof to fit IP-56



Tolerances Unless Otherwise Specified ±0.5

Customer No	ST-0585	Model Name	TOGGLE SWITCH
Unit	mm	Model No.	R13-448B