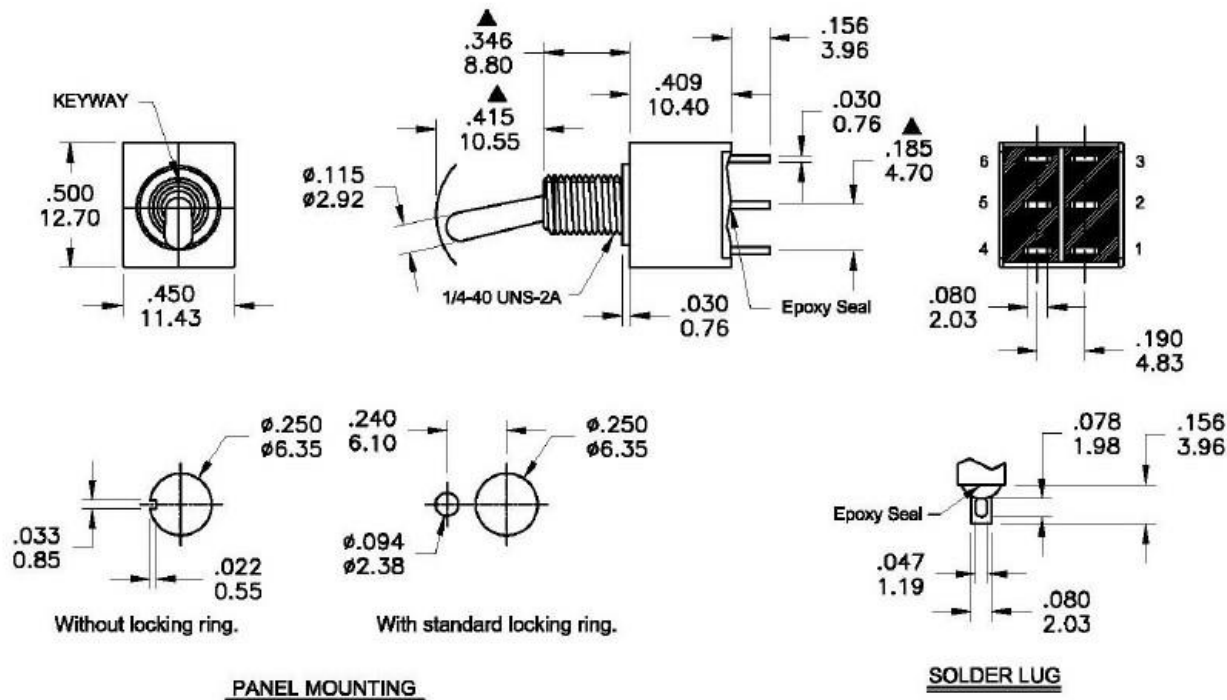


ST0555 Datasheet

IP67 rated

Maximum VA rating: 0.4VA per contact

Maximum Voltage rating: 20V AC/DC



SWITCH FUNCTION	POS.1	POS.2	POS.3
	ON	NONE	ON
Term. Comm.	2-3,5-6	OPEN	2-1,5-4
SCHMATIC			

SPECIFICATIONS

MECHANICAL LIFE: 30,000 make-and-break cycles.

CONTACT RESISTANCE: 10mΩ max. initial @ 2-4VDC
100mA for both silver and gold plated contacts.

INSULATION RESISTANCE: 1,000MΩ min.

DIELECTRIC STRENGTH: 1,000 V RMS@sea level.

OPERATING TEMPERATURE: -30°C to 85°C.

MATERIALS

CASE BUSHING: Glass filled nylon 66, flame retardant, heat stabilized(UL94v-0).

ACTUATOR: Brass,chrome plated with internal, O-ring seal standard.

SWITCH SUPPORT: Brass or steel, tin plated.

SWITCH SUPPORT RETAINER: Stainless Steel.

CONTACT/TERMINAL: copper alloy, with gold plated.

RATING : 0.4 Volt-Amps(VA) max. @20V max.(AC or DC)