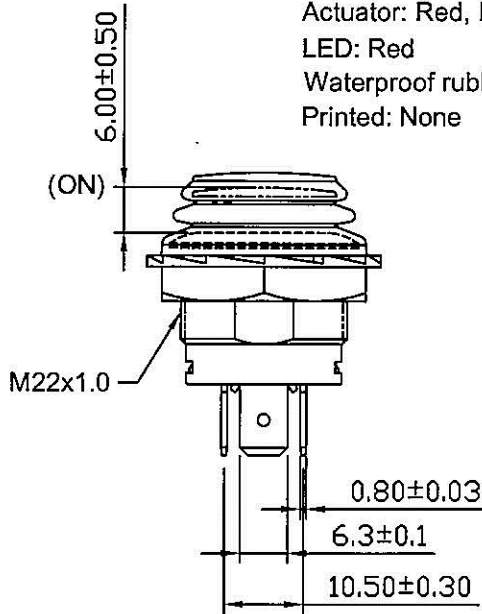
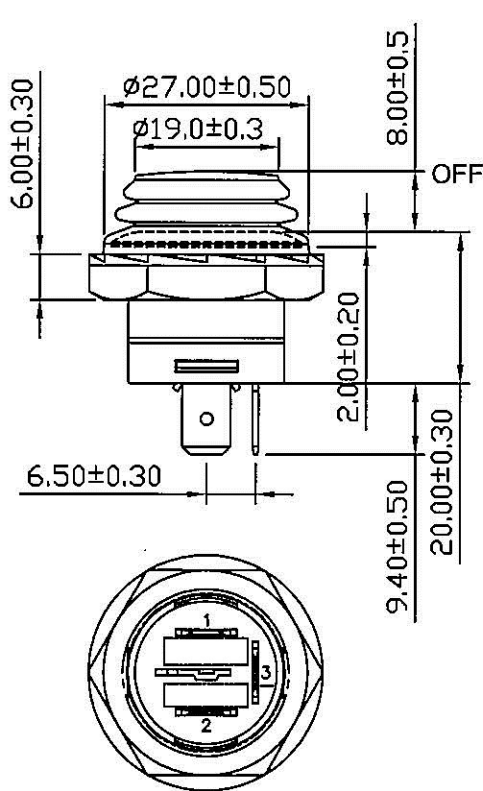
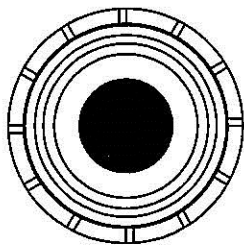
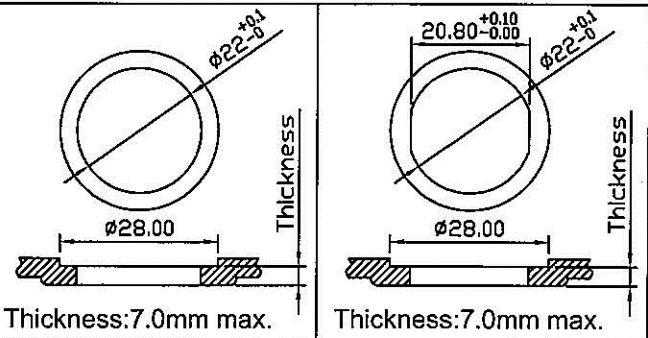


Rating	10A 14VDC
Contact Resistance	50m ohm Max.
Insulation Resistance	DC 500V 100M ohm Min.
Dielectric Strength	AC 1500V 1 minute
Operation Temperature	-25°C~85°C
Switch Function	3P SPST OFF-(ON)

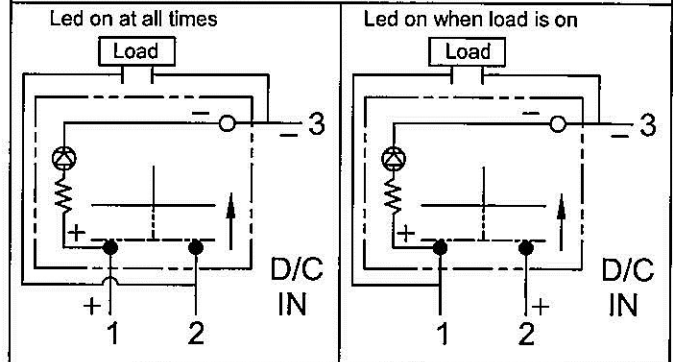
*Electrical life at full load: 20,000cycles.
 *Waterproof: IP65



Mounting Hole



Circuit Diagram



MATERIAL:

Frame: Black, Nylon 66 (94-V2)
 Actuator: Red, PC clear (94-V2)
 LED: Red
 Waterproof rubber: Black, Silicone
 Printed: None

Model Name	PUSH SWITCH
Model No	SP0757
Unit	mm