

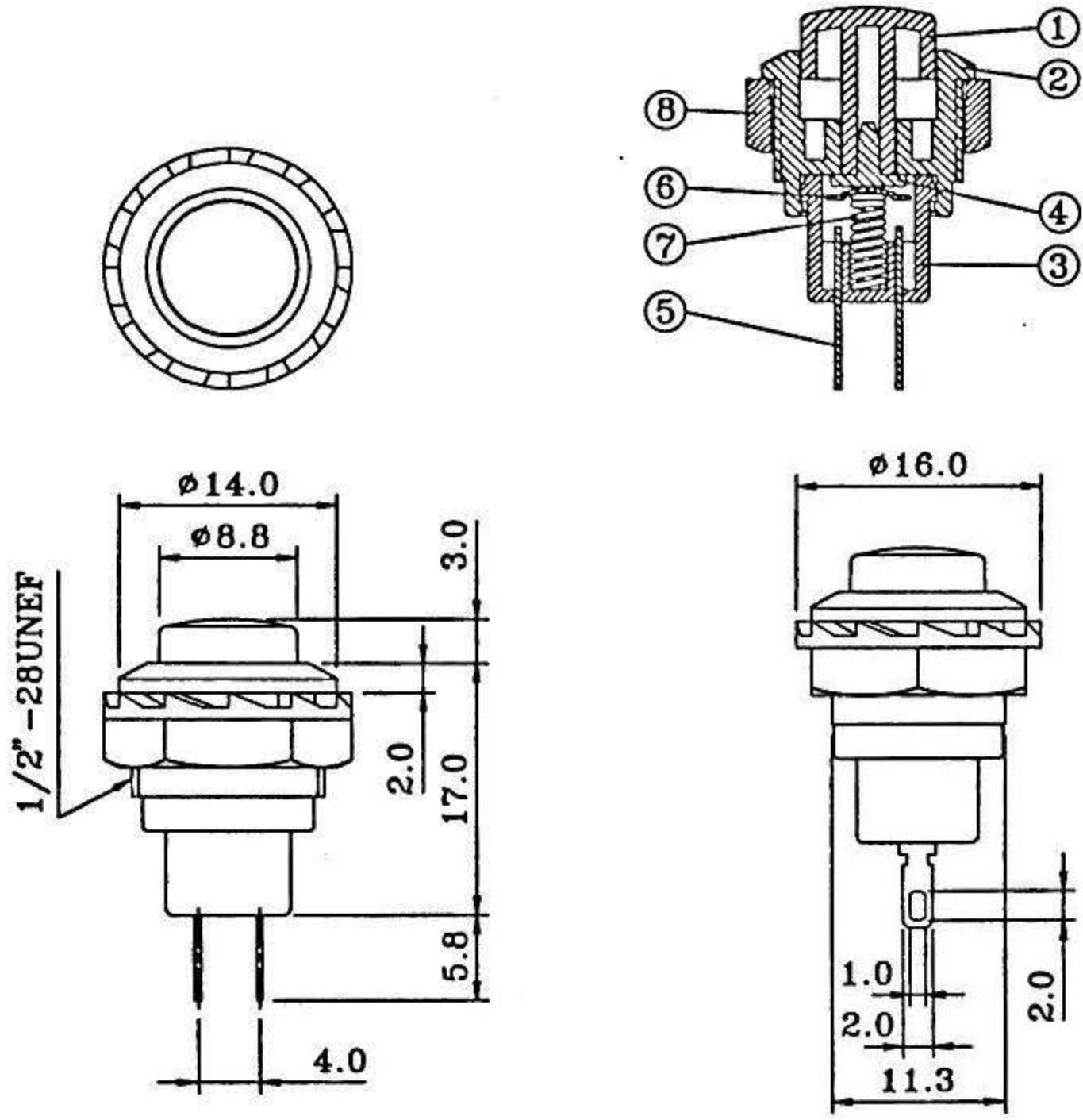


Rating	3A 125V, 1.5A 250V AC	Mount Hole	Circuit Structure
Contact R	50m ohm Max.		
Insulation R	DC 500V 100M ohm Min.		
Dielectric Strength	AC 1000V 1 minute		
Circuit	2P SPST OFF-(ON)		

Operation Life : Min. 6,000 Cycles



Spec No.	SP0700
Date	
Drawing	
Check	
Approval	