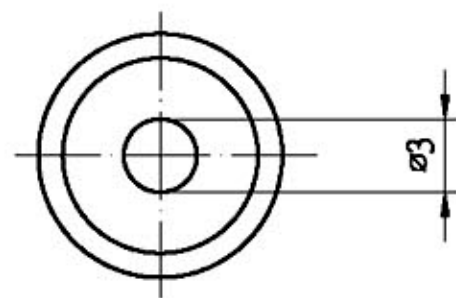
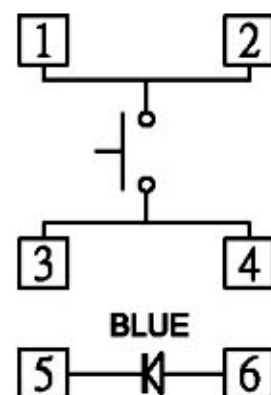


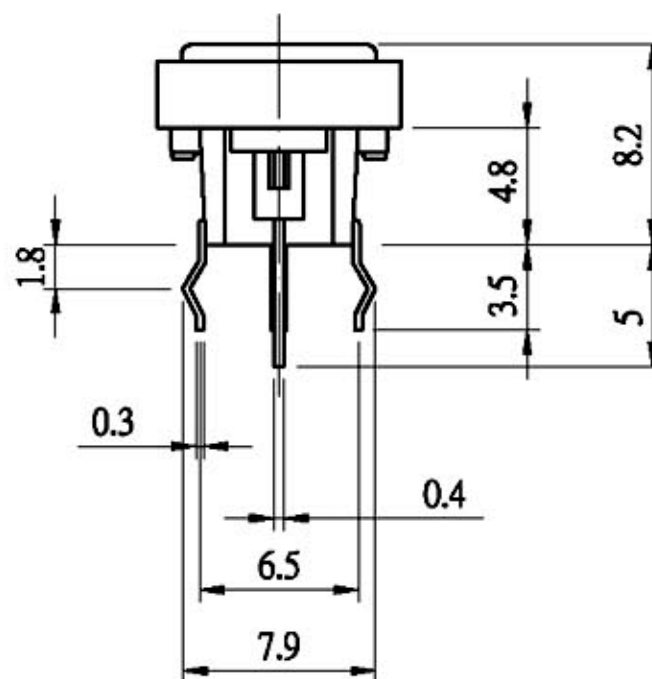
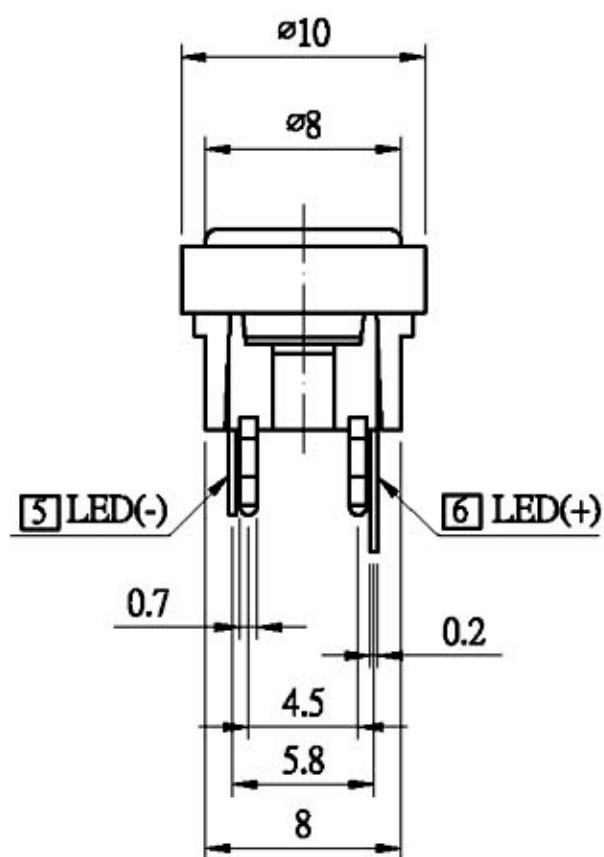
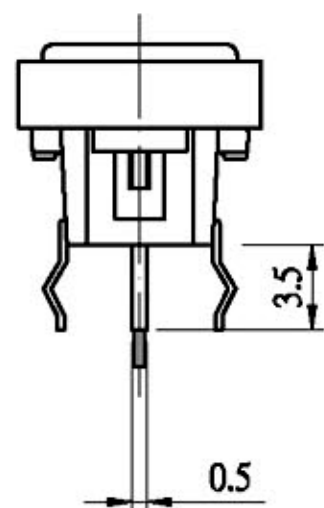
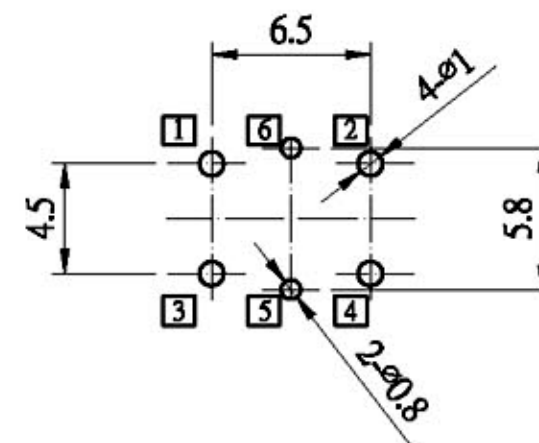
DIMENSION	TOLERANCE
BELOW 10 mm	± 0.3
10~100 mm	± 0.5
ABOVE 100 mm	± 0.8
ANGLE	± 3'



### CIRCUIT DIAGRAM



### P.C.B LAYOUT



COLOR OF LED : Blue  
 HOUSING COLOR : Black  
 CAP COLOR : Black

1. RATING : 12 V DC , 50 mA .
2. CONTACT RESISTANCE : 100 mΩ MAX .
3. INSULATION RESISTANCE : 500 V DC , 100mΩ MIN .
4. OPERATION FORCE : 180±50 gf .
5. OPERATION TEMPERATURE RANGE : -20°C ~ +70°C .
6. OPERATION LIFE : 500,000 CYCLES .

UNIT	mm	MODE	TACT SWITCH
SCALE	1 : 1	PART	SP0622
VIEW		2D FILE NAME	
VER.	01	3D FILE NAME	