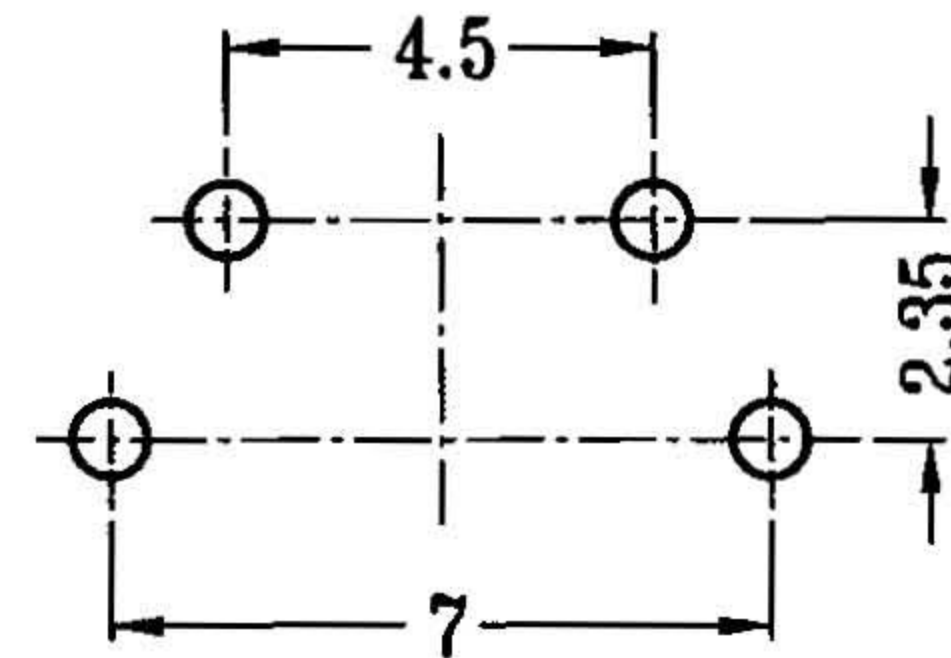
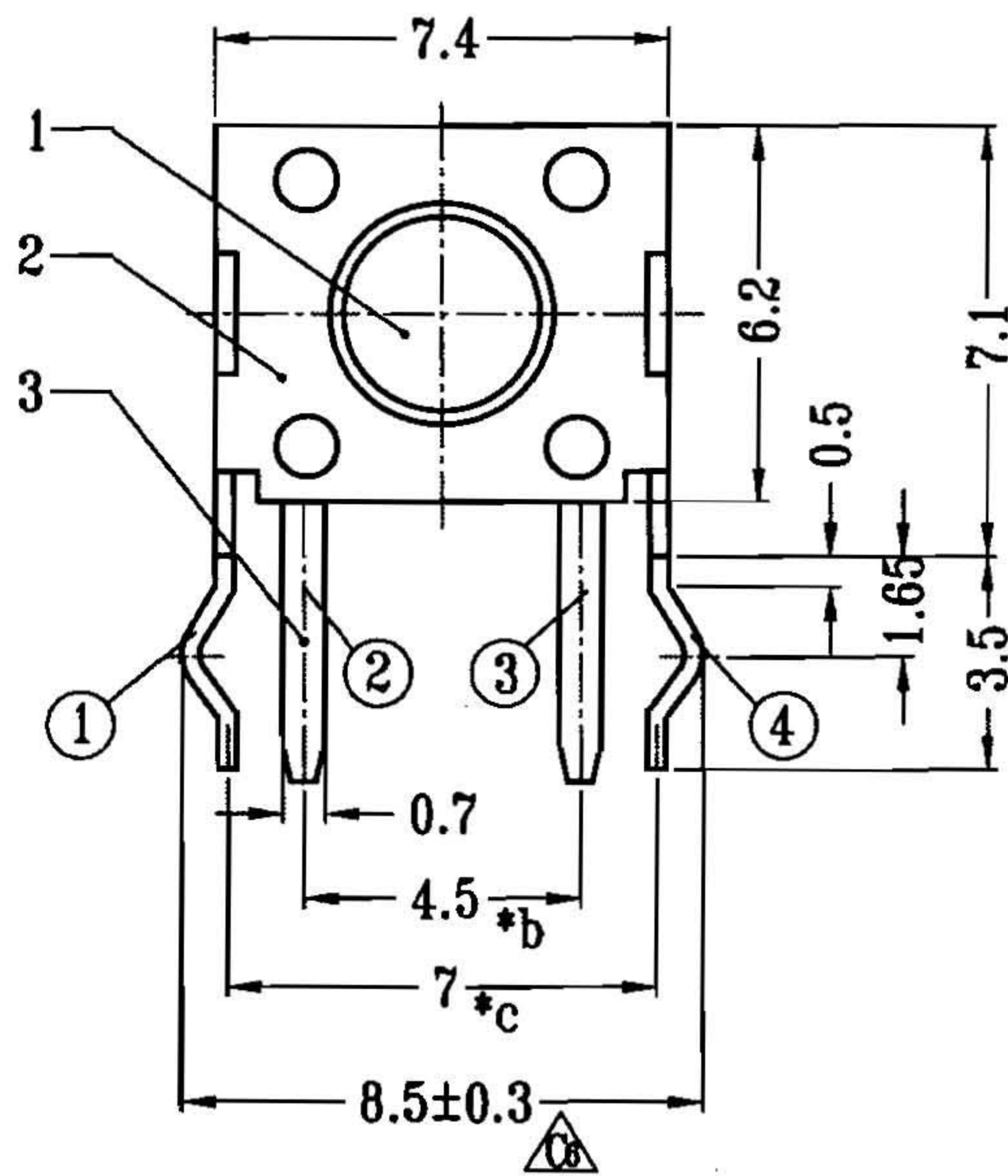
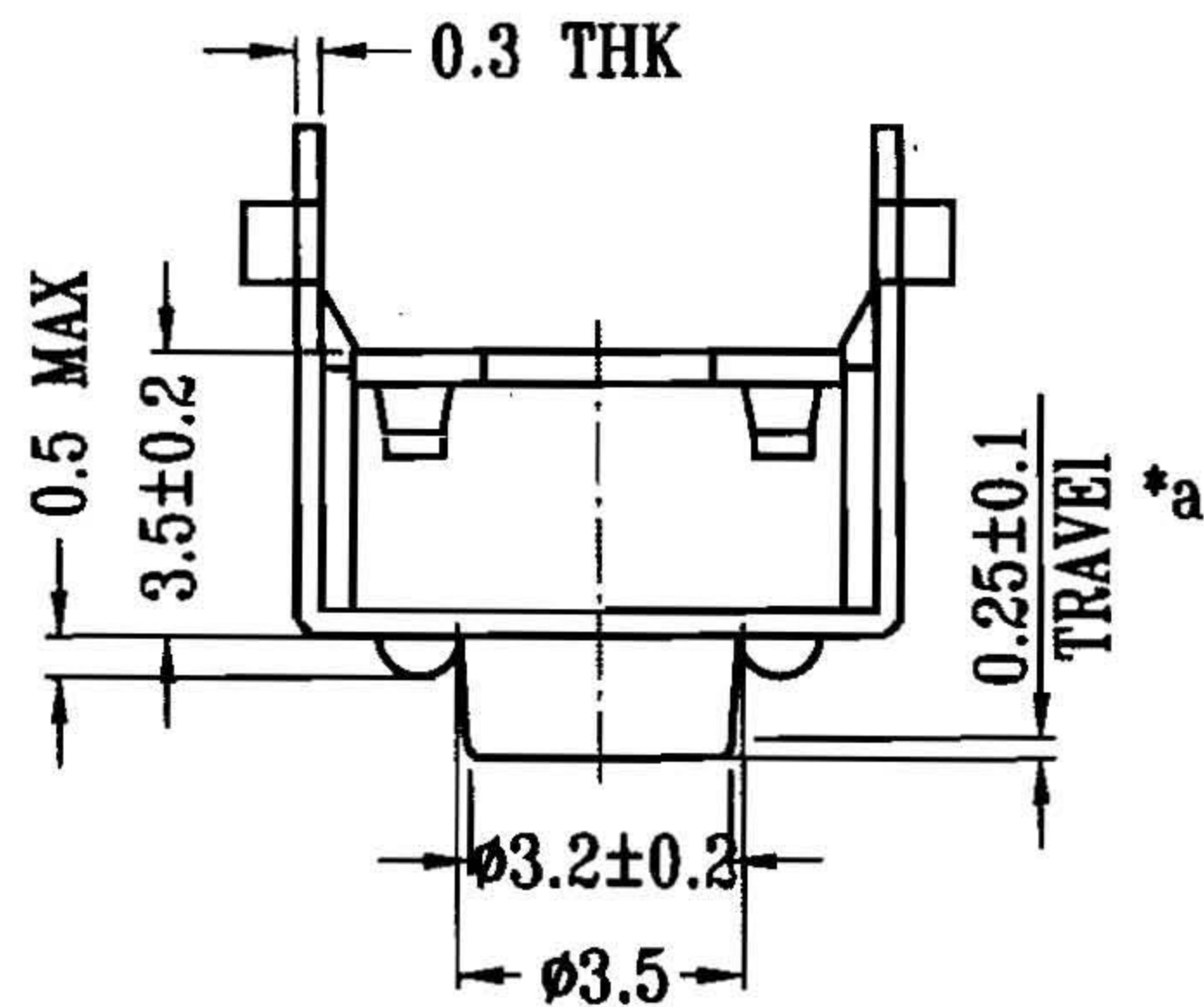
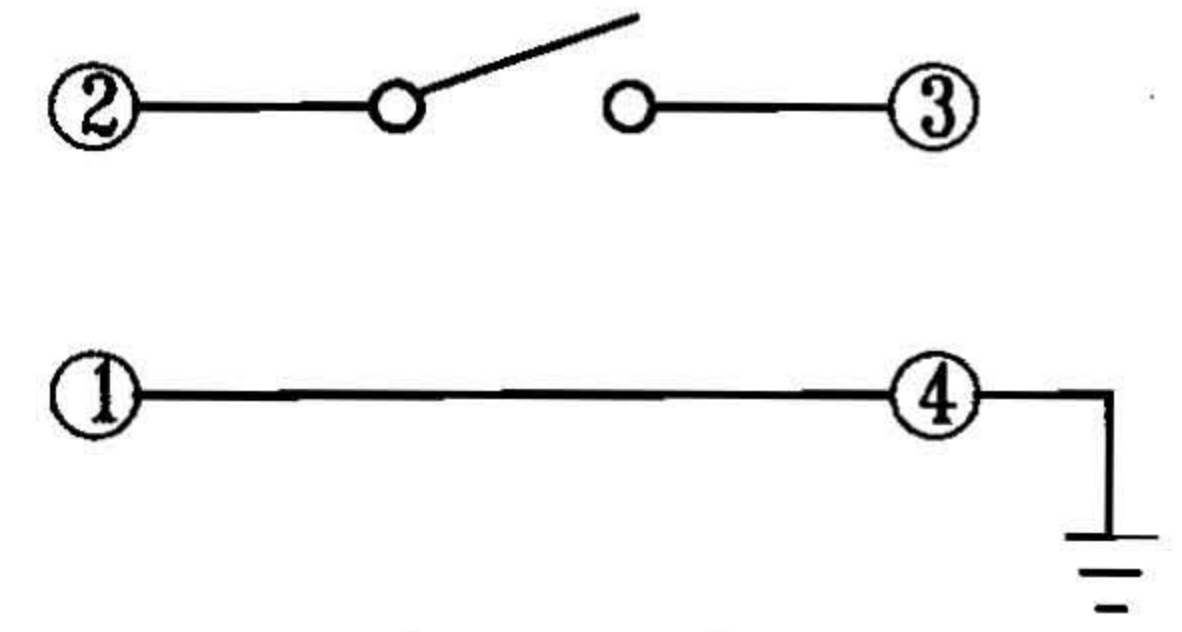
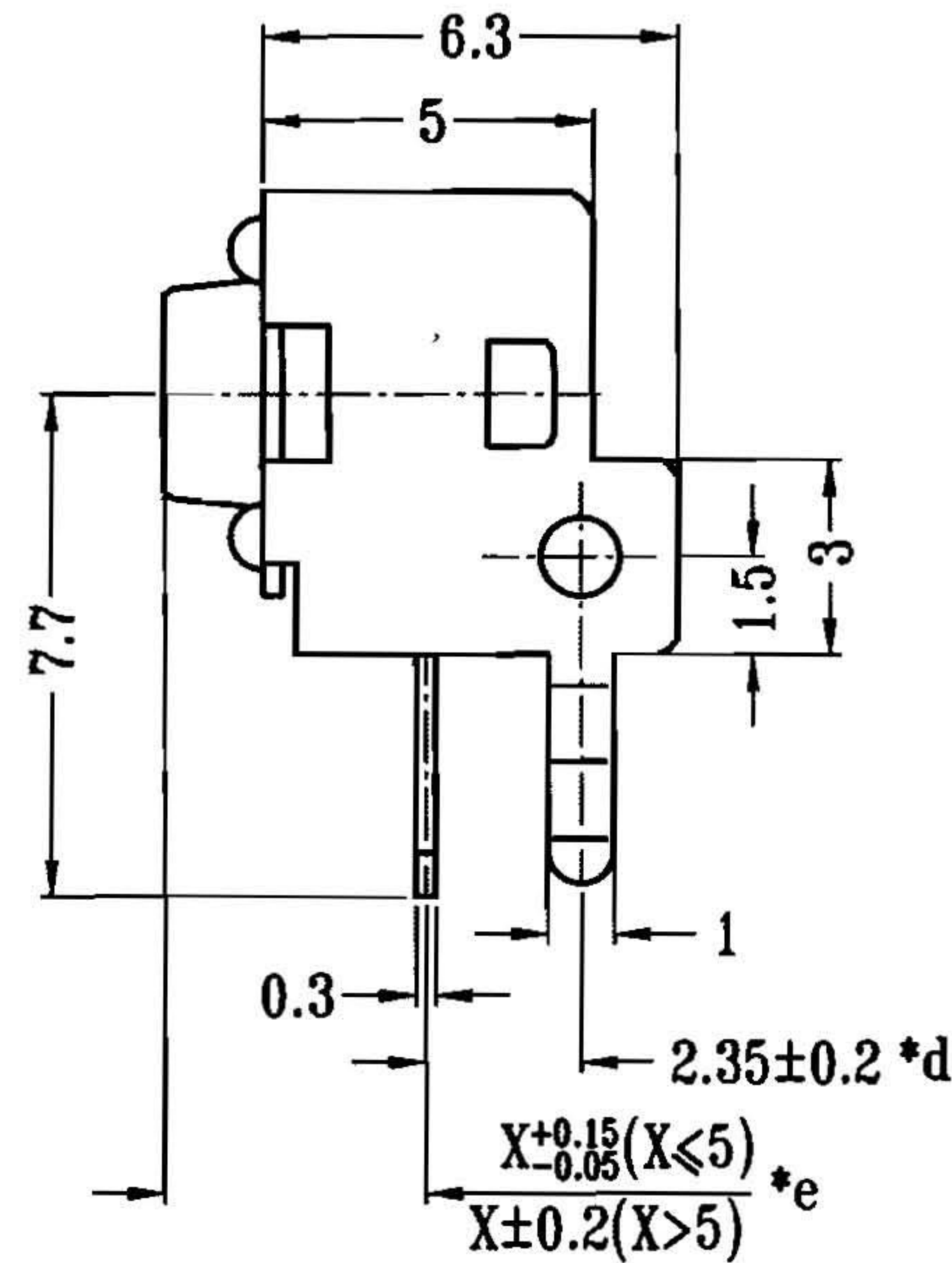


CAD FILE:



P.C.B. LAYOUT



SCHEMATIC

TC-A210	TC0111 KNOB	15.85
TC-0210	TC0110 KNOB	12.35
TC-A209	TC0107 KNOB	7.35
TC-0209	TCA109 KNOB	11.85
TC-0208	TC0105 KNOB	6.15
TC-A207	TCA107 KNOB	7.85
TC-0207	TC0109 KNOB	11.35
TC-0206	TC0106 KNOB	6.85
TC-0205	TC0108 KNOB	8.35
TC-0204	TC0104 KNOB	5.85
TC-0203	TC0103 KNOB	3.85
TC-0202	TC0102 KNOB	3.15
TC-0201	TC0101 KNOB	3.05
MODEL NO.	KNOB TYPE	X

SP0606

注：“*”表示关键尺寸(5个)

8									
7									
6									
5									
4	CONTACT	PBS C5210R-EH	1	Ag CLAD					
3	CASE	NYLON+F.G./BRASS STRIP	1	BLACK/Ag PLATED OVER Ni PLATED					
2	COVER	ZINC PLATE	1	Sn PLATED					
1	KNOB	NYLON+F.G	1	AS PER IPO					
NO.	PARTS	MATERIALS	Q'TY	FINISH					
					TOLERANCE UNLESS SPECIFIED				
					WITHIN 1.5mm : ±0.1mm	C	21-Aug-2007	原数为: 8.7±0.3	
					OVER 1.5mm : ±0.2mm	ISSUE	DATE	DESCRIPTIONS OF REVISION	APPD.
					TITLE : TACT SWITCH			UNIT : mm	DRWG NO.: TT-DR-TC0201-00
					MODEL: TC-0201~0210			SCALE: 4:1	DWN. 唐礼贤 21-Aug-2007
								CHK'D	21-Aug-2007
								APPD.	21-8-07