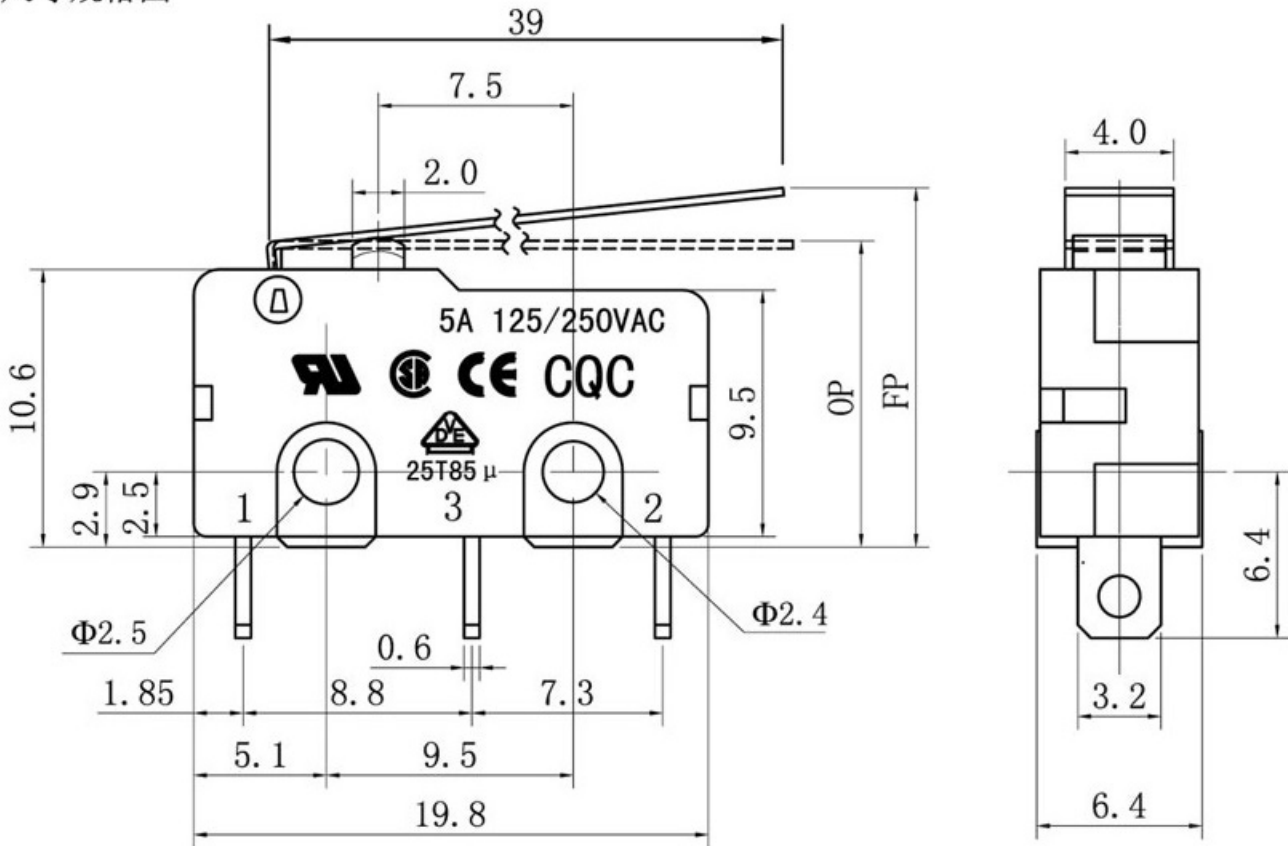


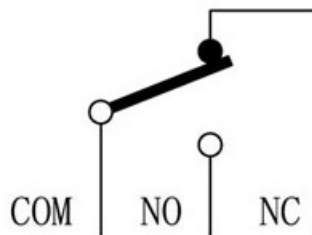
# SM1038

1. 功能规格			
1.1 Rated Voltage	125/250VAC	1.6自由位置 (FP)	18.2 ± 1.5mm
1.2 Rated Current	5A	1.7动作位置 (OP)	11.6 ± 2.0mm
1.3 Contact resistance	≤ 50mΩ (初始值)	1.8行程 (PT)	
1.4 Operating Force	10 ± 4gf	1.9灵敏度 (BT)	
1.5回弹力 (RF)		1.10	
2. 可靠度参数			
2.1 Mechanical life	1,000,000 CYCLES	2.5 Soldering characteristics	<b>HAND SOLDERING</b>
2.2 Electrical life	10,000 CYCLES	2.6 Operating temp.	-25° C - +85° C
2.3绝缘电阻 (IR)	≥ 100MΩ DC500V (初始值)	2.7 Storage humidity range	< 85%RH
2.4耐压强度 (WV)	AC1000V 1 minute (初始值)	2.8	

## 3. 尺寸规格图



### SCHEMATIC



UNIT : MM  
TOLERANCE : +/-0.2MM