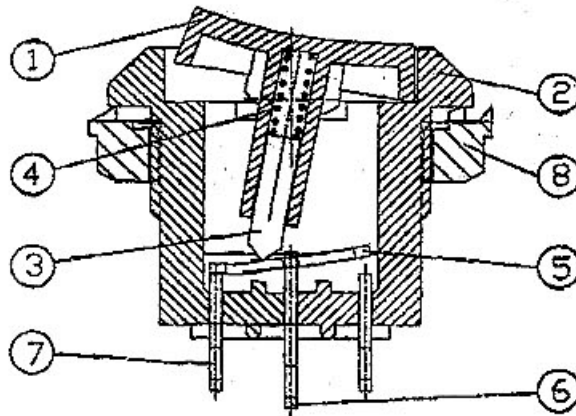
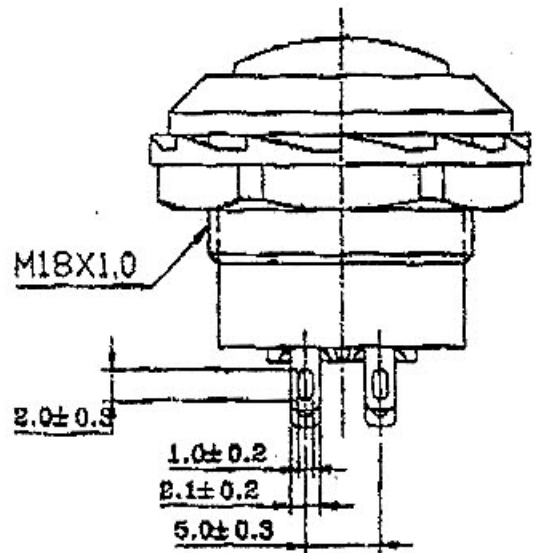
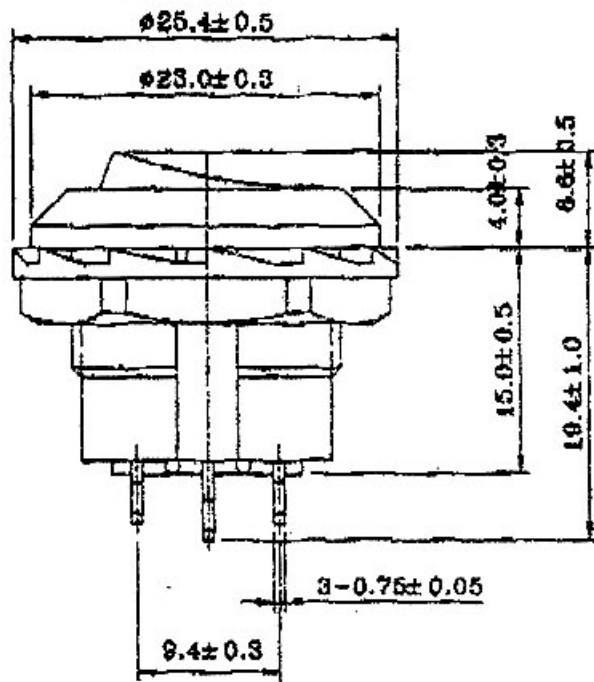
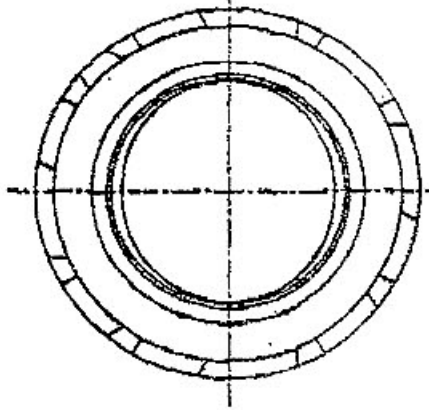


| | | | |
|---------------------|-----------------------|------------|-------------------|
| Rating | 10A 125V, 8A 250V AC | Mount Hole | Circuit Structure |
| Contact R | 50m ohm Max. | | |
| Insulation R | DC 500V 100M ohm Min. | | |
| Dielectric Strength | AC 1500V 1 minute | | |
| Circuit | 6P DPDT ON-ON | | |



| 8 | Screw Washer | 1 | POM | | | |
|----|---------------|------|---------------------|--------------|----------------|--------|
| 7 | Terminal B | 4 | Copper Alloy | t=0.8 | Silver Plating | |
| 8 | Terminal A | 2 | Copper Alloy | t=0.8 | Silver Plating | |
| 5 | Contact Plate | 2 | Copper Alloy | t=0.6 | Silver Plating | |
| 4 | Spring | 2 | Piano Steel Wire | d=0.3, L=7.8 | | |
| 3 | Slider | 2 | Phenol-Formaldehyde | | | |
| 2 | Housing | 1 | Phenol-Formaldehyde | | | |
| 1 | Button | 1 | Nylon #66 | | | |
| No | Description | Q'ty | Material | Spec | Finish | Remark |



U-FO TOP-TECH CO., LTD.

TEL: 886-2-2753 0754 FAX: 886-2-2753 0753
E-MAIL: ufotech@ms29.hinet.net

PART NO.:

SK0994

PART NAME:

ROCKER SWITCH