

MOUNTING HOLE

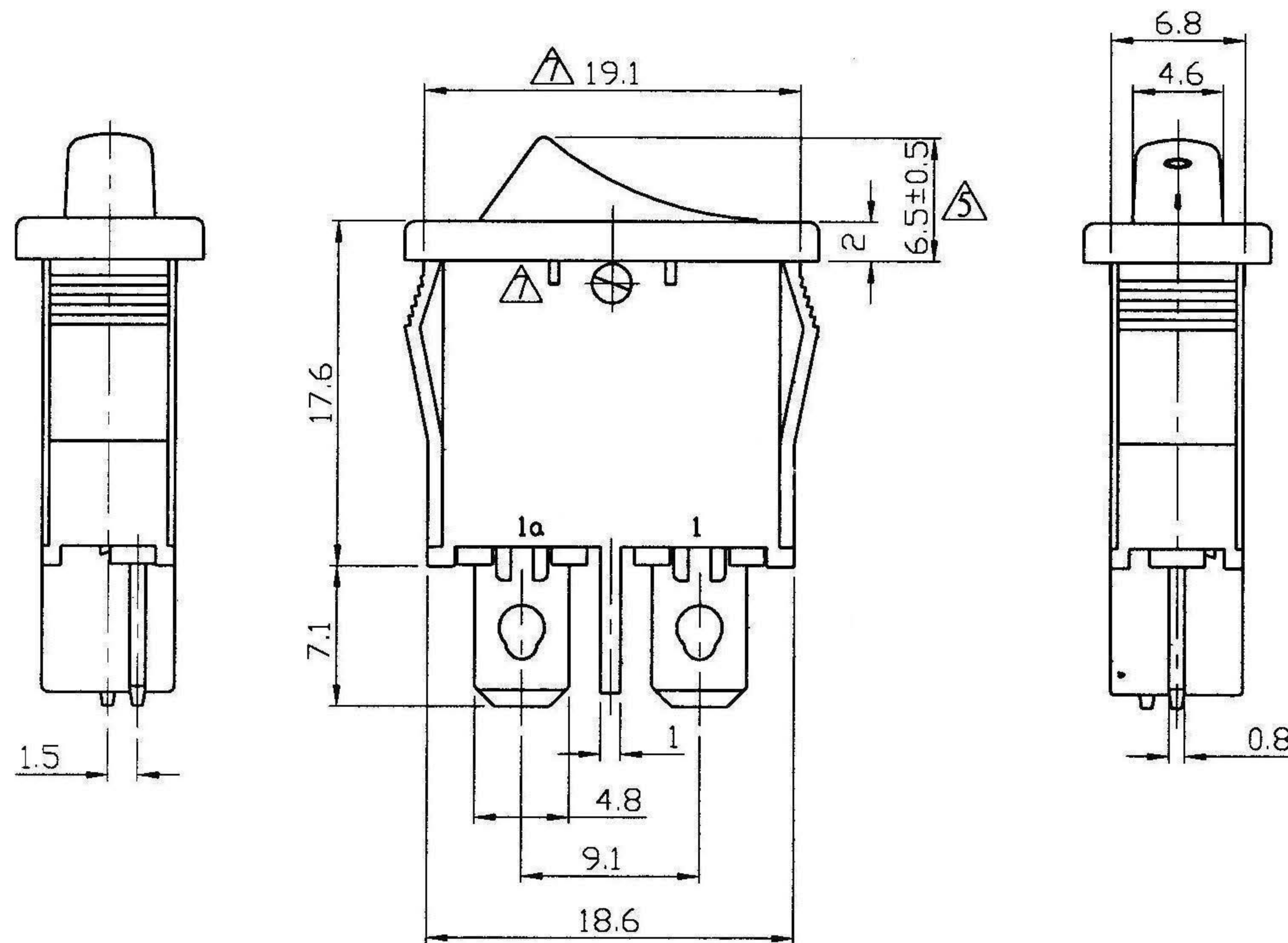
SPECIFICATION


CONTACT RATING: 10A 125VAC 6A 125/250VAC(UL)  
 10A 125VAC 6A 250VAC(CSA)  
 6A 250VAC T85(ENEC)

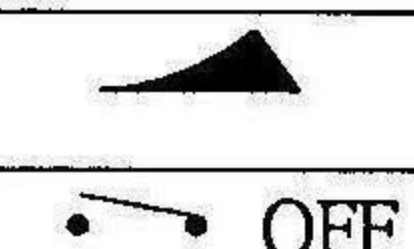
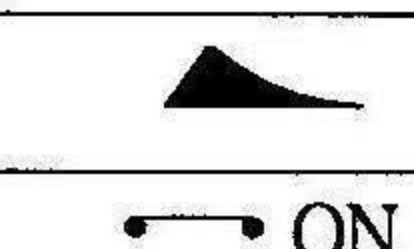
CONTACT RESISTANCE: 20mΩ (MAX) INITIAL  
 INSULATION RESISTANCE: 500MΩ (MIN) 500VDC

TERMINAL TO TERMINAL DIELECTRIC WITHSTAND VOLTAGE:  
 2,000VAC-1 MINUTE  
 TERMINAL TO FRAME DIELECTRIC WITHSTAND VOLTAGE:  
 3,800VAC-1 MINUTE

LIFE CYCLES: OVER 10,000 CYCLES  
 OPERATION FORCE : 600±300 GRAN




 Plug-in terminal

MODEL NO.	SWITCHING FUNCTION
SK0975	
	

PANEL

Panel Thickness	Dim.X	Dim.Y
0.7~1.2	6.8	19.1/19.2
1.2~2.0	6.8	19.3/19.4
2.0~3.0	6.8	19.5/19.6

投影法		單位 DIMENSION UNIT mm	
比例 SCALE	2:1	PART NAME	THIN MINI ROCKER SWITCH
		PART NO	SK0975