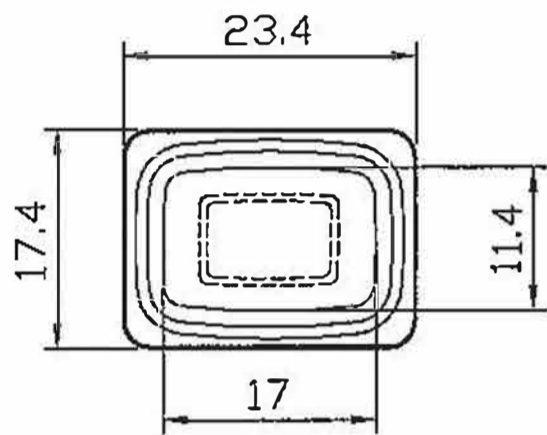
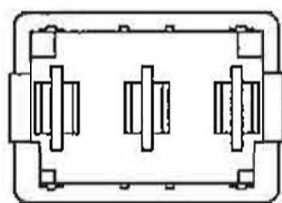
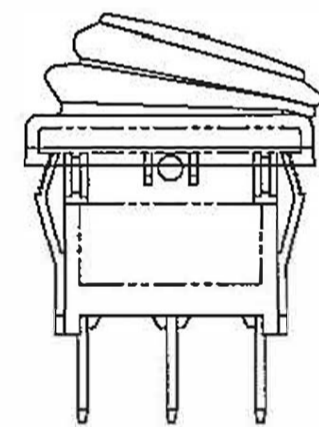
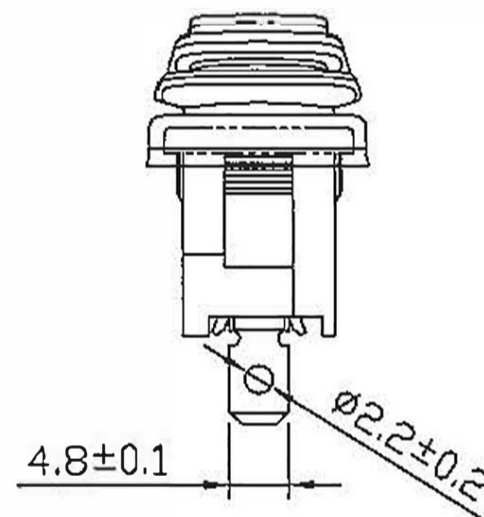
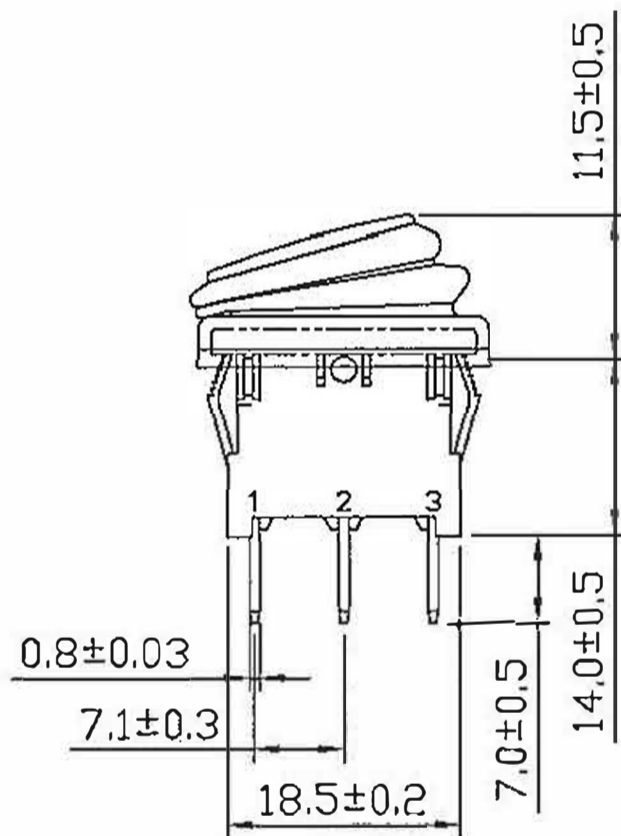


Rating	16A 12VDC	Mounting Hole		Circuit Diagram									
		Thickness	0.7~2.0		ON								
Contact Resistance	50m ohm Max.												
Insulation Resistance	DC 500V 100M ohm Min.				OFF								
Dielectric Strength	AC 1000V 1 minute	<table border="1"> <thead> <tr> <th>Thickness</th> <th>X</th> <th>Y</th> </tr> </thead> <tbody> <tr> <td>0.75... 1.5</td> <td>19.4-0.1</td> <td>13+0.1</td> </tr> <tr> <td>1.5...2.5</td> <td>19.8-0.1</td> <td>13+0.1</td> </tr> </tbody> </table>		Thickness	X	Y	0.75... 1.5	19.4-0.1	13+0.1	1.5...2.5	19.8-0.1	13+0.1	
Thickness	X	Y											
0.75... 1.5	19.4-0.1	13+0.1											
1.5...2.5	19.8-0.1	13+0.1											
Operation Temperature	-25° c~85° c	Switch Function											
3P SPST ON-OFF (RED ILLUMINATION)													



Material:

- Frame: Nylon 66 (94-V2), Black
- Actuator: PC clear (94-V2), Red
- Waterproof Rubber: Silicone, Black
- Terminals: Silver plated, Copper alloy
- Waterproof: IP65
- LED: Red



PART NAME : ROCKER SWITCH | PART NO. : SK0969