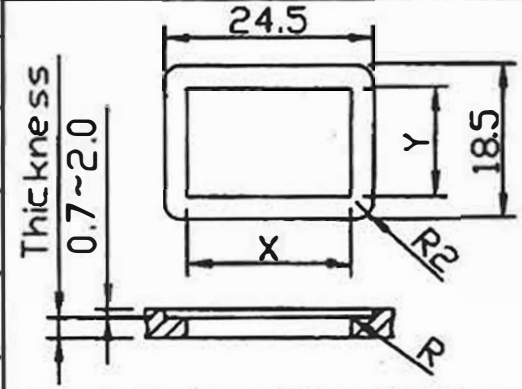
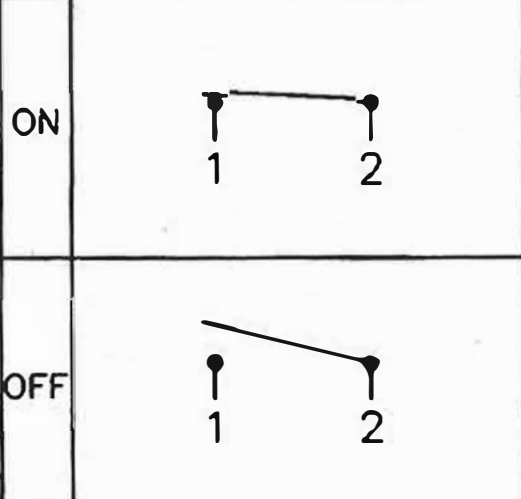
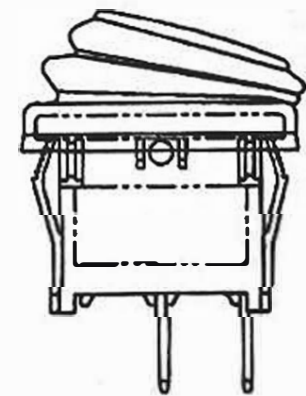
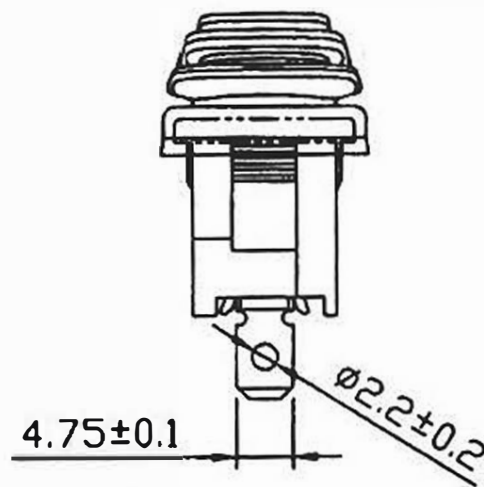
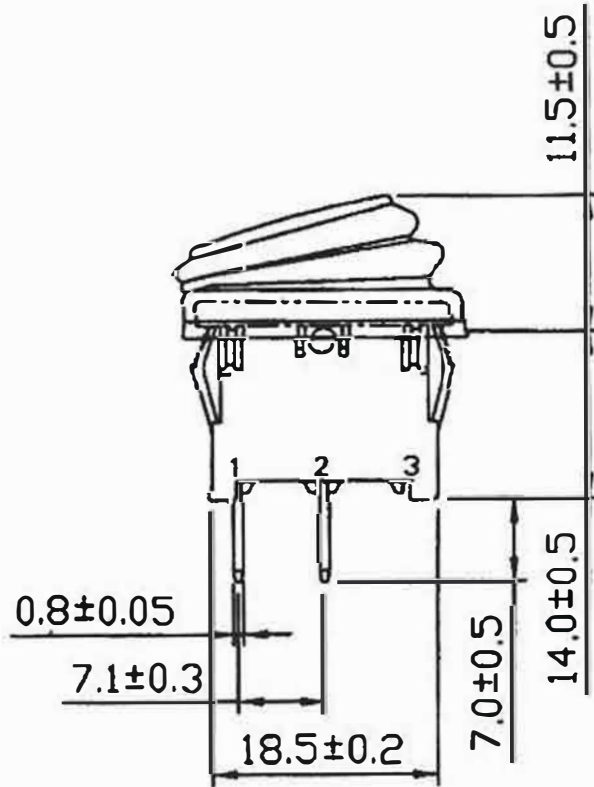
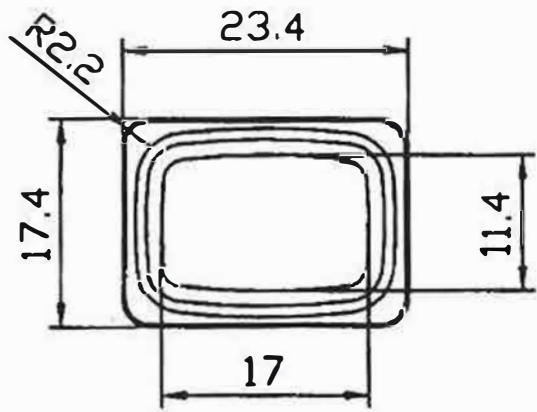
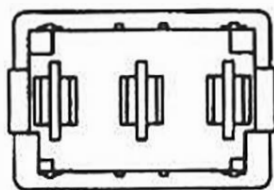


Rating	16A 125VAC 1/3HP 10A 250VAC 1/2HP	Mounting Hole 	Circuit Diagram 									
	Contact R 50m ohm Max. Insulation R DC 500V 100M ohm Min. Dielectric Strength AC 1000V 1 minute Operation Tempature $-25^{\circ}\text{c}\sim 85^{\circ}\text{c}$ Circuit 2P SPST ON-OFF											
		<table border="1"> <thead> <tr> <th>Thickness</th> <th>X</th> <th>Y</th> </tr> </thead> <tbody> <tr> <td>0.75...1.5</td> <td>19.4-0.1</td> <td>13+0.1</td> </tr> <tr> <td>1.5...2.5</td> <td>19.8-0.1</td> <td>13+0.1</td> </tr> </tbody> </table>	Thickness	X	Y	0.75...1.5	19.4-0.1	13+0.1	1.5...2.5	19.8-0.1	13+0.1	
Thickness	X	Y										
0.75...1.5	19.4-0.1	13+0.1										
1.5...2.5	19.8-0.1	13+0.1										



Unit : mm



PART NAME : ROCKER SWITCH | PART NO. : SK0968