

SPECIFICATIONS:

- * STANDARD RATING: 3-40 AMPERE.
- * INPUT POWER: 50 VDC / 125 VAC / 250 VAC
- * DIELECTRIC STRENGTH: 1500 VAC / 1 MINUTE
- * RATED CONDITIONAL SHORT-CIRCUIT CURRENT : IEC-934
"PC. 1 1000A " WITH " FUSE 16 A gL / gG " .
- * INSULATION RESISTANCE : > 100 MΩ
- * CALIBRATION:
 - 25°C - 100% OF RATED CURRENT - CONTINUOUSLY CARRIED.
 - 25°C - BETWEEN 101% TO 145% - MAY TRIP OR NOT.
 - 25°C - 150% OF RATED CURRENT - TRIP WITHIN 1 HOUR.
 - 165% OF 3 ~ 4A - TRIP WITHIN 1 HOUR
 - 25°C - 200% OF RATED CURRENT - TRIP WITHIN 1 MINUTE
- * CONTACT ENDURANCE: 125VAC X 150% OF RATED CURRENT -
500 CYCLES.
- * IEC - 934 METHOD OF OPERATION : " R " = AUTOMATIC INTER-
RUPTION AND NON-AUTOMATIC (MANUAL) RESETTING .
- * IEC - 934 METHOD OF TRIPPING : " TO " = THERMAL .
- * DEGREE OF TRIP - FREE BEHAVIOUR : " CYCLING TRIP - FREE "
- * RESET: MANUAL PUSH RESET

APPROVALS :

- U L APPROVAL: 3 - 30A 125 / 250 VAC
- CSA APPROVAL: 3 - 30A 125 VAC
- VDE APPROVAL: 4 - 10A 250 VAC / 50 VDC
3 - 30A 250 VAC

DERATING FACTOR

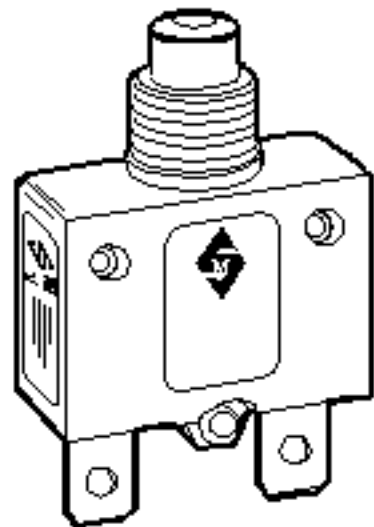
TEMP	6A ~ 40A	3A ~ 5A
60°C	X 0.50	--
55°C	X 0.55	--
50°C	X 0.60	--
45°C	X 0.65	--
40°C	X 0.72	X 0.45
35°C	X 0.80	X 0.55
30°C	X 0.85	X 0.70
25°C	X 1.00	X 1.00
20°C	X 1.10	X 1.20
15°C	X 1.15	X 1.35
10°C	X 1.25	X 1.45

MAX . INTERNAL RESISTANCE

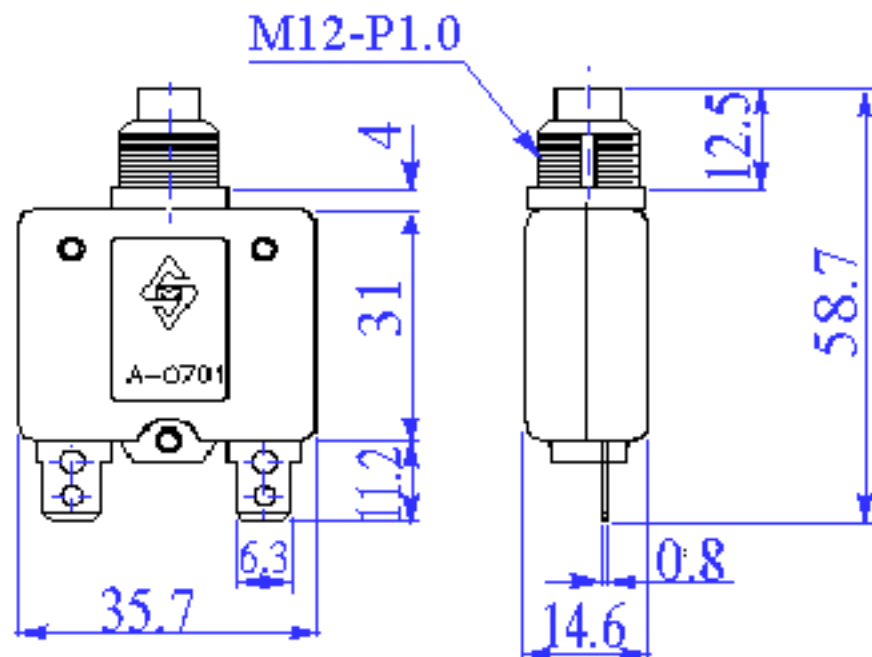
3A- 4A	0.100 Ω
4.1A- 6A	0.050 Ω
6.1A- 9A	0.035 Ω
9.1A-12A	0.020 Ω
12.1A-16A	0.015 Ω
16.1A-22A	0.010 Ω
22.1A-30A	0.006 Ω
30.1A-35A	0.004 Ω
35.1A-40A	0.004 Ω

(FOR REFERENCE ONLY)

● A-0701 HAND RESET ●



A-0701-HM



TRIP TIME CURVE

