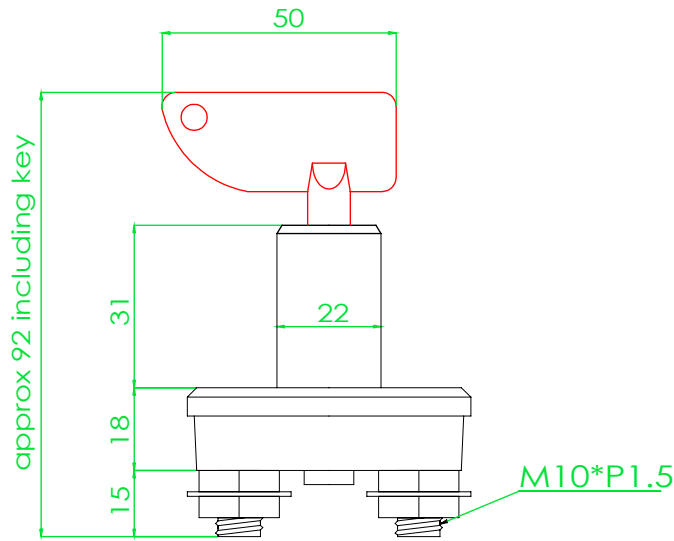


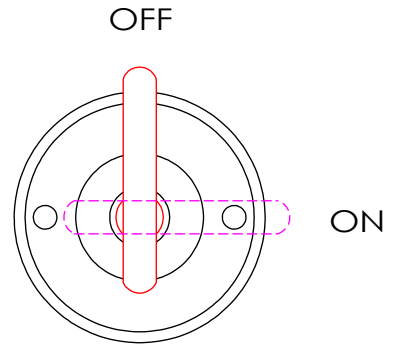
BATTERY ISOLATION SWITCH

Rating

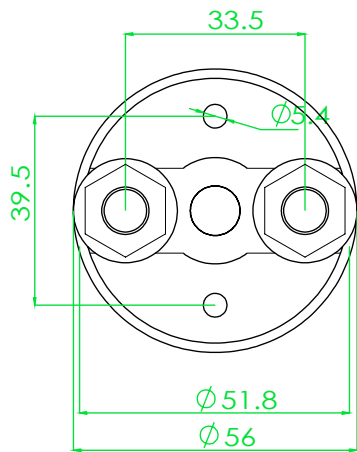
Nominal Voltage	12V
Nominal Load	350A
Instantaneous Load	500A



Front

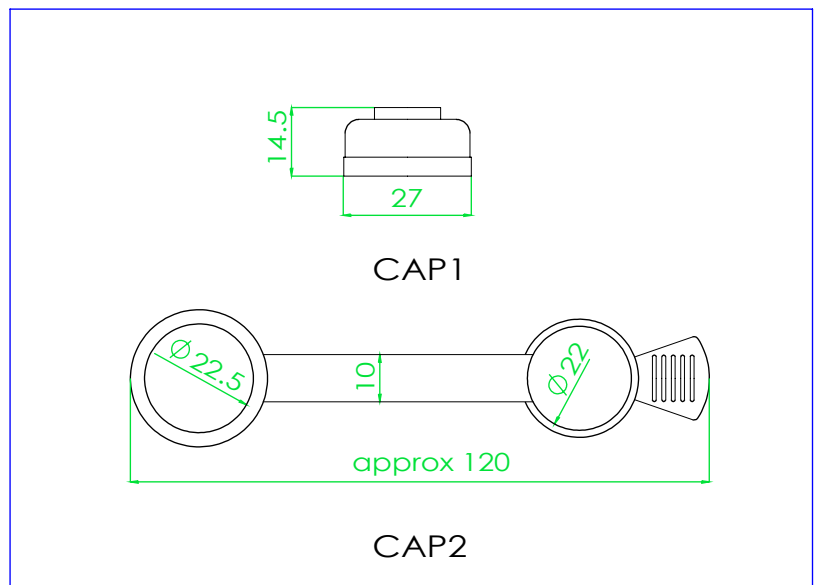


ON/OFF POSITION



Bottom

CAP





U-FO TOP-TECH CO., LTD.
 TEL: 886-2-2753 0754 FAX: 886-2-2753 0753
 E-MAIL: ufotech@ms29.hinet.net

P/N	SF2245	UNIT	mm
-----	--------	------	----