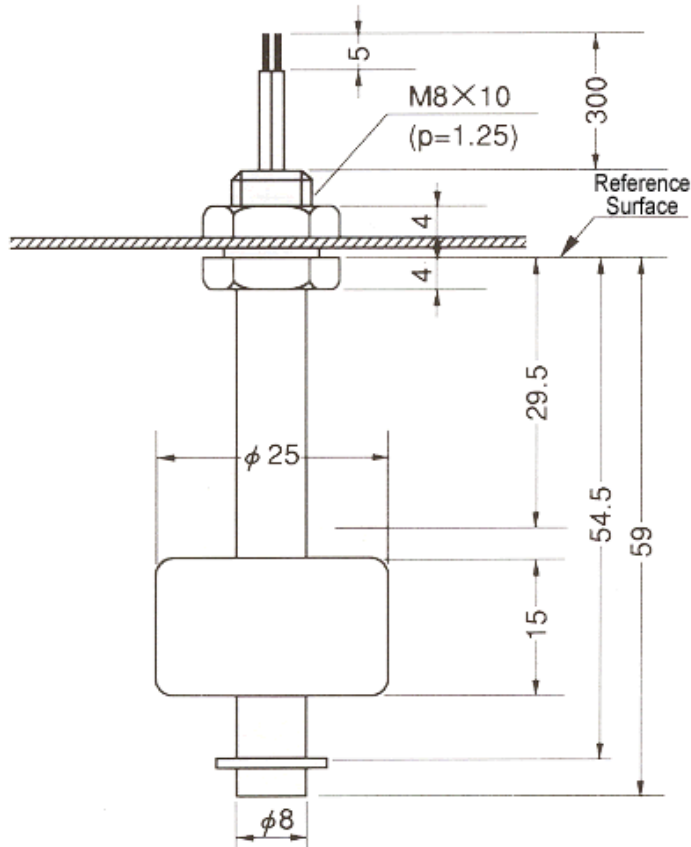


WORKING LIQUID:		OIL (0.79)
MATERIAL:	COAT	NYLON 6
	FLOAT	NBR(发泡)
ELECTRIC PARAMETER	MAX POWER	50/10W
	MAX VOLTAGE	200V
	MAX CURRENT	0.6A
	MIN. INSULATION VOLTAGE(DC)	250V
	TOUCH IMPEDANCE	0.3Ω max
WORKING TEMPERATURE		-20 to +80°C



size



* size is mm (1 mm = 0.0394")

action

