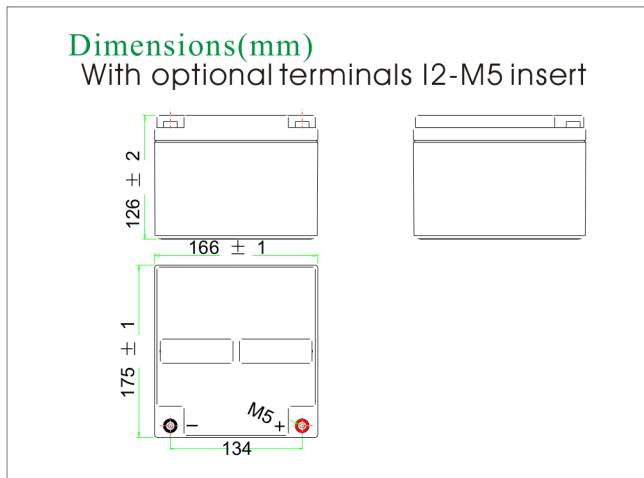


Maintenance-Free Rechargeable Sealed Lead-Acid Battery

SB1698

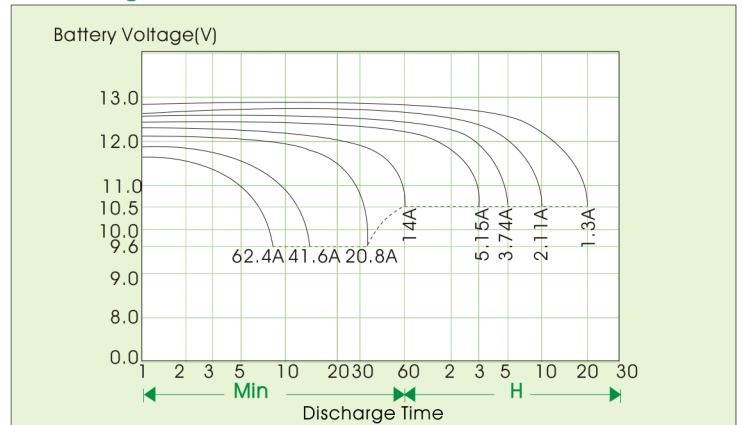
(12V26AH) Specification



Nominal voltage		12V
Rated Capacity (20 HR)		26AH
Approx Weight		8.2kg
Terminal	Standard	B1-M5 bolt
	Optional	I2-M5 insert
Operation Temperature		
Charge	0°C (32°F) ~ 40°C (104°F)	
Discharge	-20°C (-4°F) ~ 50°C (122°F)	
Storage	-20°C (-4°F) ~ 40°C (104°F)	

Capacity 25°C (77°F)	20 hour rate (1.3A)	26AH
	10 hour rate (2.11A)	21.1AH
	5 hour rate (3.74A)	18.7AH
	1 hour rate (14A)	14AH
Capacity affected by temperature	40°C (104°F)	105%
	25°C (77°F)	100%
	0°C (32°F)	85%
	-15°C (5°F)	65%
Self-discharge at 25°C (77°F) (Before recharge)	Capacity after 3 month	91%
	Capacity after 6 month	82%
	Capacity after 12 month	64%
Constant voltage charge	Cycle	Initial Charging Current ≤ 7.8A 14.4V ~ 15V at 25°C (77°F)
	Standby	13.5V ~ 13.8V at 25°C (77°F)
Max discharge current for 5 sec		260A

Discharge characteristic



Note: Discharge shall be cut-off at 10.5V if discharge at $< 1C_A$ and at 9.6V if at $\geq 1C_A$. It is recommended to recharge battery by constant-voltage charge immediately after use

Constant current (Amp) and Constant Power (Watt) Discharge Table at 25°C (77°F)

Final voltage	Time (min)	5	10	15	20	30	60	120	180	300	600
		1.80VPC	A	93.81	62.86	52.00	42.95	26.67	17.14	9.90	6.66
	W	985.00	660.00	570.00	451.00	280.00	180.00	104.00	70.00	48.50	27.50
1.75VPC	A	94.38	63.43	54.76	43.90	27.14	17.52	10.13	6.86	4.84	2.76
	W	991.00	666.00	575.00	461.00	285.00	184.00	106.39	72.00	50.86	29.00
1.70VPC	A	94.66	63.71	55.05	44.19	27.60	17.80	10.42	7.05	4.98	2.84
	W	994.00	669.00	578.00	464.00	290.00	187.00	109.20	74.00	52.26	29.80
1.65VPC	A	94.85	63.90	55.24	44.38	28.01	18.19	10.76	7.29	5.14	2.86
	W	996.00	671.00	580.00	466.00	295.00	191.00	113.00	76.50	54.00	30.00
1.60VPC	A	95.05	64.10	55.43	44.57	28.60	18.60	11.00	7.40	5.24	2.95
	W	998.00	673.00	582.00	468.00	300.30	195.00	115.00	77.50	55.00	31.00